



US00D755538S

(12) **United States Design Patent**
Robbins, III

(10) **Patent No.:** **US D755,538 S**
(45) **Date of Patent:** **** May 10, 2016**

(54) **LINEAR CLEATED MAT**

(71) Applicant: **Edward S. Robbins, III**, Muscle Shoals,
AL (US)

(72) Inventor: **Edward S. Robbins, III**, Muscle Shoals,
AL (US)

(**) Term: **15 Years**

(21) Appl. No.: **29/541,552**

(22) Filed: **Oct. 5, 2015**

(51) **LOC (10) Cl.** **06-11**

(52) **U.S. Cl.**
USPC **D6/585**

(58) **Field of Classification Search**

USPC D5/5, 7, 8, 29, 46-48, 56-66, 99;
D6/582-584, 588; D25/138; D32/40,
D32/57

CPC D03D 1/00; D03D 25/00; D04H 1/00;
D21H 27/02; B44F 1/00; B44F 1/08; B44F
3/00; B44F 5/00; B44F 9/00; B44F 9/02;
B44F 11/06; B32B 3/266; B32B 5/024
See application file for complete search history.

(56) **References Cited**

U.S. PATENT DOCUMENTS

D16,637	S	*	4/1886	Mankey	D5/99
D17,574	S	*	8/1887	Kneedler	D5/60
385,044	A	*	6/1888	Cooley	A47L 23/24 126/221
D56,684	S	*	11/1920	Winchenbaugh	D5/7
D57,791	S	*	5/1921	Stanwood	D12/203
1,877,481	A	*	9/1932	Prouty	E04D 1/04 428/163
D91,960	S	*	4/1934	Metzel et al.	D12/203
D105,428	S	*	7/1937	Bahn	D6/583
D136,717	S	*	11/1943	Moore et al.	5/420
D187,639	S	*	4/1960	Timmons	D6/583
D200,524	S	*	3/1965	Narens	D6/583
4,837,999	A	*	6/1989	Stayner	E04B 7/22 52/309.11

D302,772	S	*	8/1989	Friedman	D25/138
D353,071	S	*	12/1994	Roberts	D34/32
D415,353	S	*	10/1999	Funk	D5/53
D429,895	S	*	8/2000	Bravenec	D16/130
D464,203	S	*	10/2002	Manifold	D5/53
D493,322	S	*	7/2004	Juliano	D12/203
D499,924	S	*	12/2004	Lee	D6/582
D546,480	S	*	7/2007	Canin	D25/138
D554,868	S	*	11/2007	Harkenrider	D5/60
D564,240	S	*	3/2008	Poo	D5/99
D578,775	S	*	10/2008	Harkenrider	D5/60
D608,473	S	*	1/2010	Larson	D25/138
D630,442	S	*	1/2011	Sichel	D5/57
D631,985	S	*	2/2011	Waters	D25/138

(Continued)

Primary Examiner — Karen S Acker

(74) *Attorney, Agent, or Firm* — Brinks Gilson & Lione

(57) **CLAIM**

I claim the ornamental design for a linear cleated mat, as shown and described.

DESCRIPTION

FIG. 1 is a bottom perspective view of a linear cleated mat. FIG. 2 is a bottom plan view of the linear cleated mat of FIG. 1.

FIG. 3 is a top plan view of the linear cleated mat of FIG. 1. FIG. 4 is an enlarged left side elevation view of the linear cleated mat of FIG. 1, the right side elevation view being a mirror image.

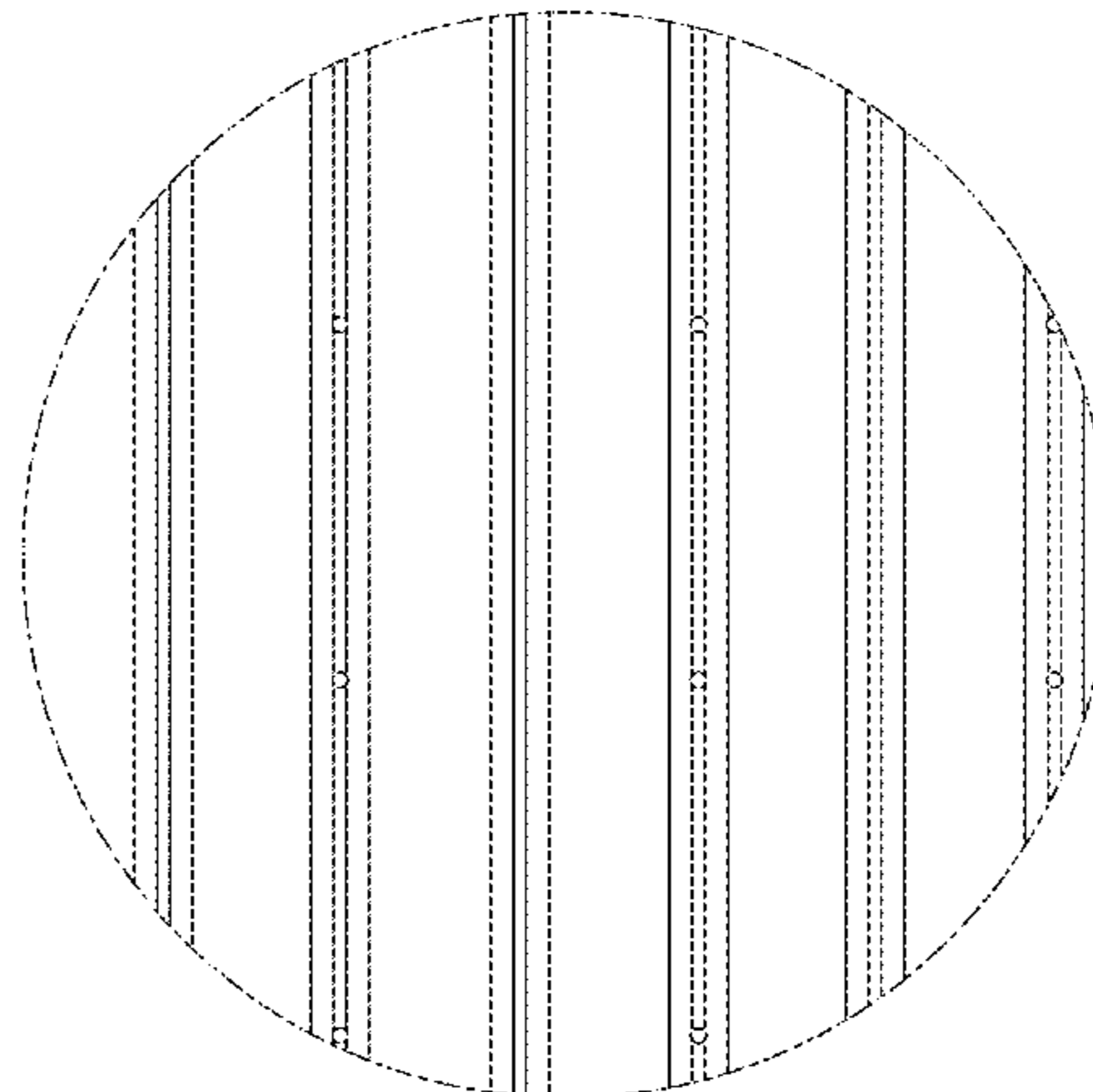
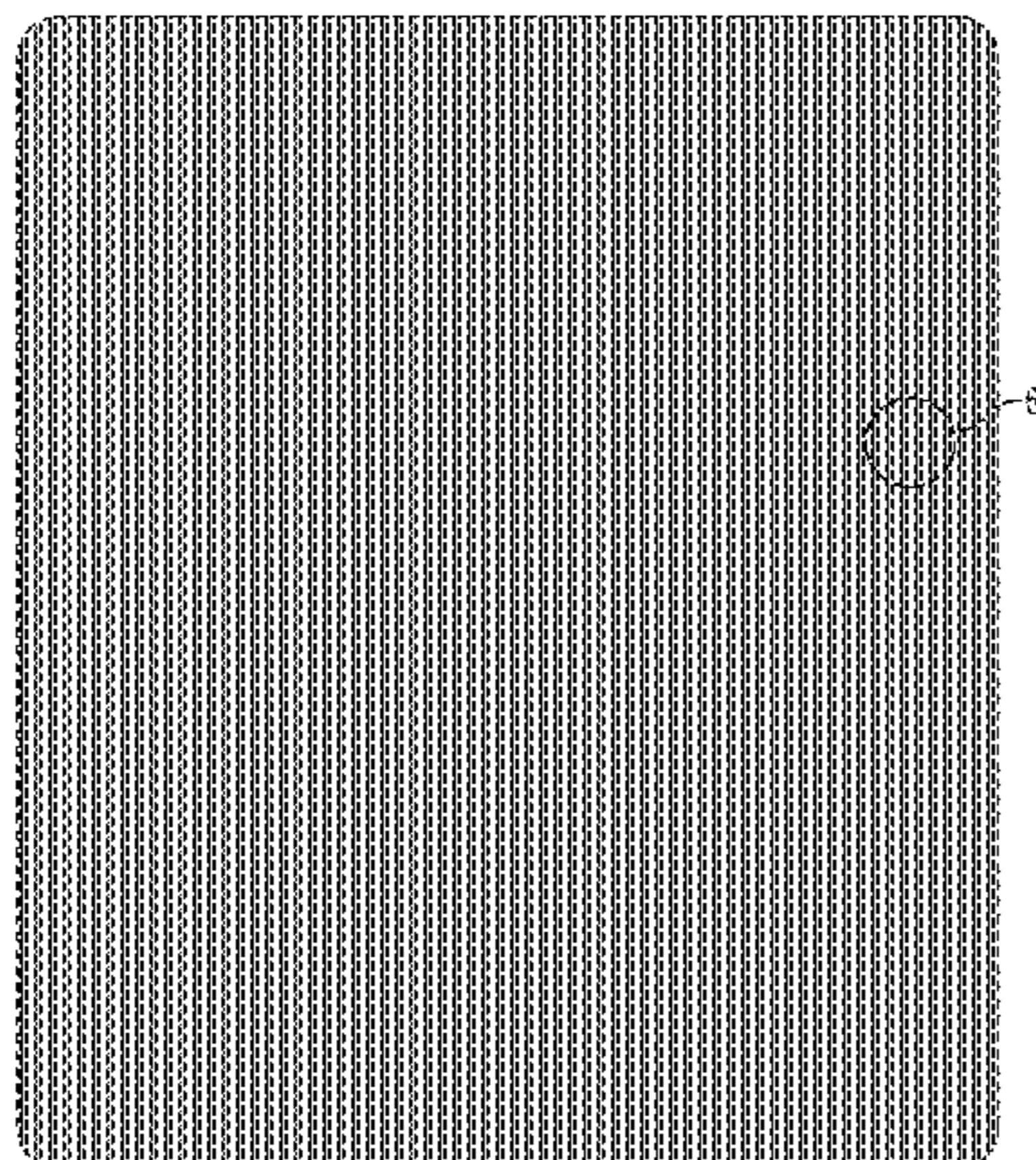
FIG. 5 is an enlarged front elevation view of the linear cleated mat of FIG. 1, the back elevation view being a mirror image.

FIG. 6 is an enlarged detail view of area 6 circumscribed within FIG. 2; and,

FIG. 7 is an enlarged detail view of area 7 circumscribed within FIG. 5.

The broken lines surrounding FIGS. 1-3 depict the boundaries of the claim design and form no part thereof. The dot dash dot broken lines formed as circles in FIGS. 2, 5, 6 and 7 identify areas of the detail views and form no part of the claimed design.

1 Claim, 6 Drawing Sheets



(56)

References Cited

U.S. PATENT DOCUMENTS

D635,371 S * 4/2011 Schilling D21/839
D642,844 S * 8/2011 Cheris D6/582
D649,312 S * 11/2011 Adams D32/40
D677,095 S * 3/2013 Robbins, III D6/577
D692,257 S * 10/2013 Calkins D6/582

D735,999 S * 8/2015 Hansen D5/60
2008/0024292 A1* 1/2008 Rosi A62B 3/00
340/525
2011/0146179 A1* 6/2011 Cantley B44C 5/0453
52/313
2014/0154474 A1* 6/2014 Robbins, III A47G 27/0206
428/167

* cited by examiner

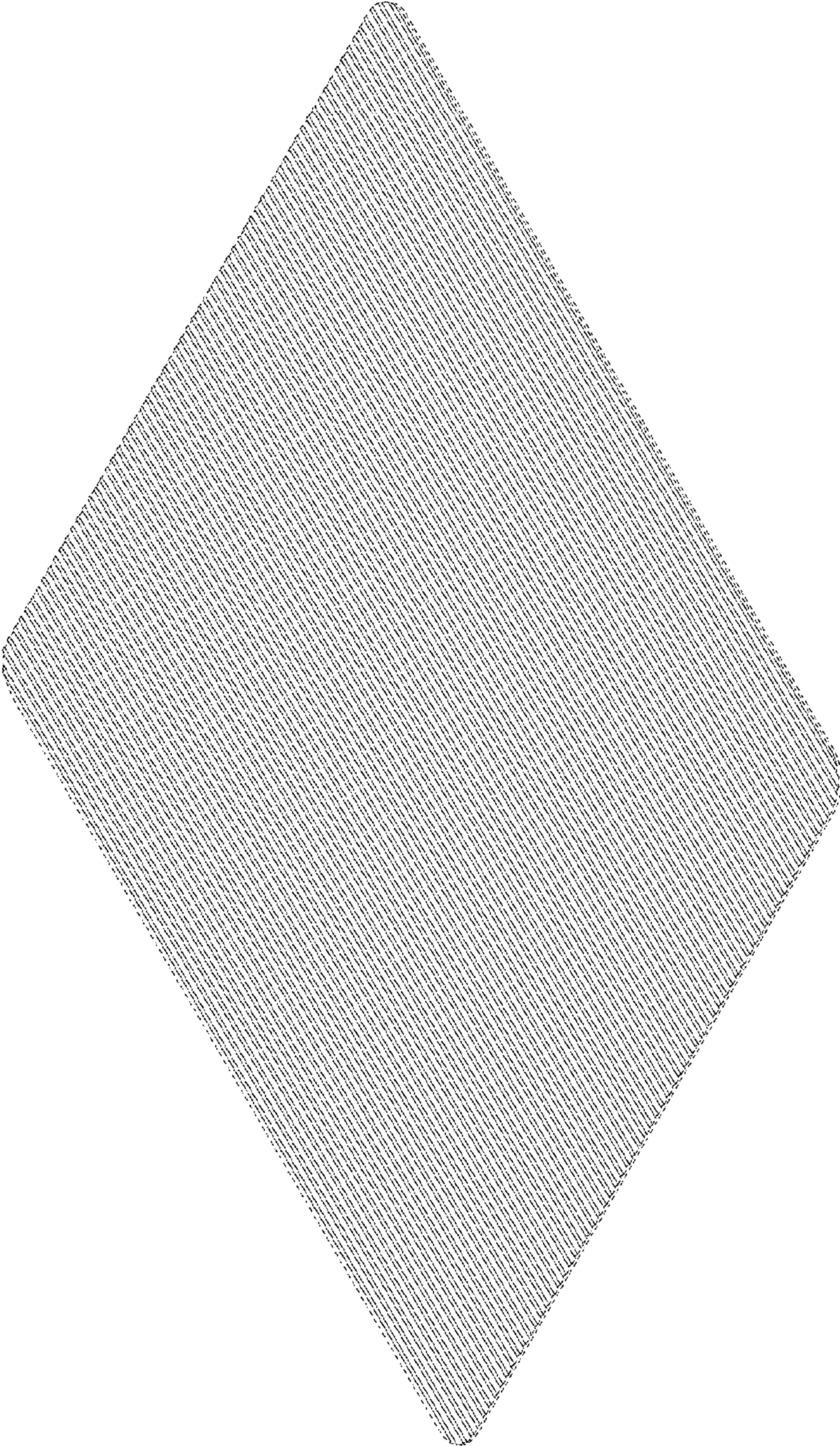


FIG. 1

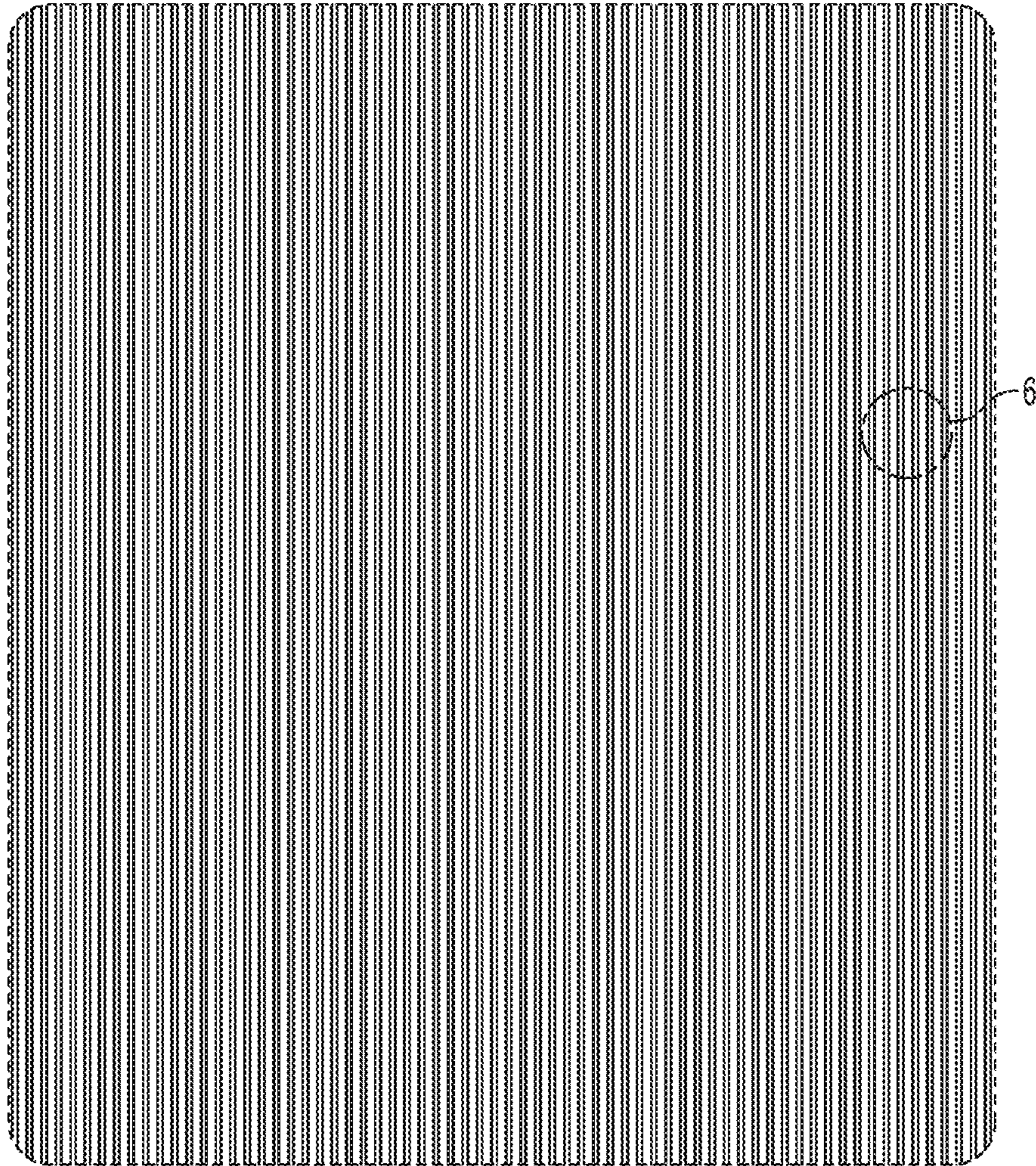


FIG. 2

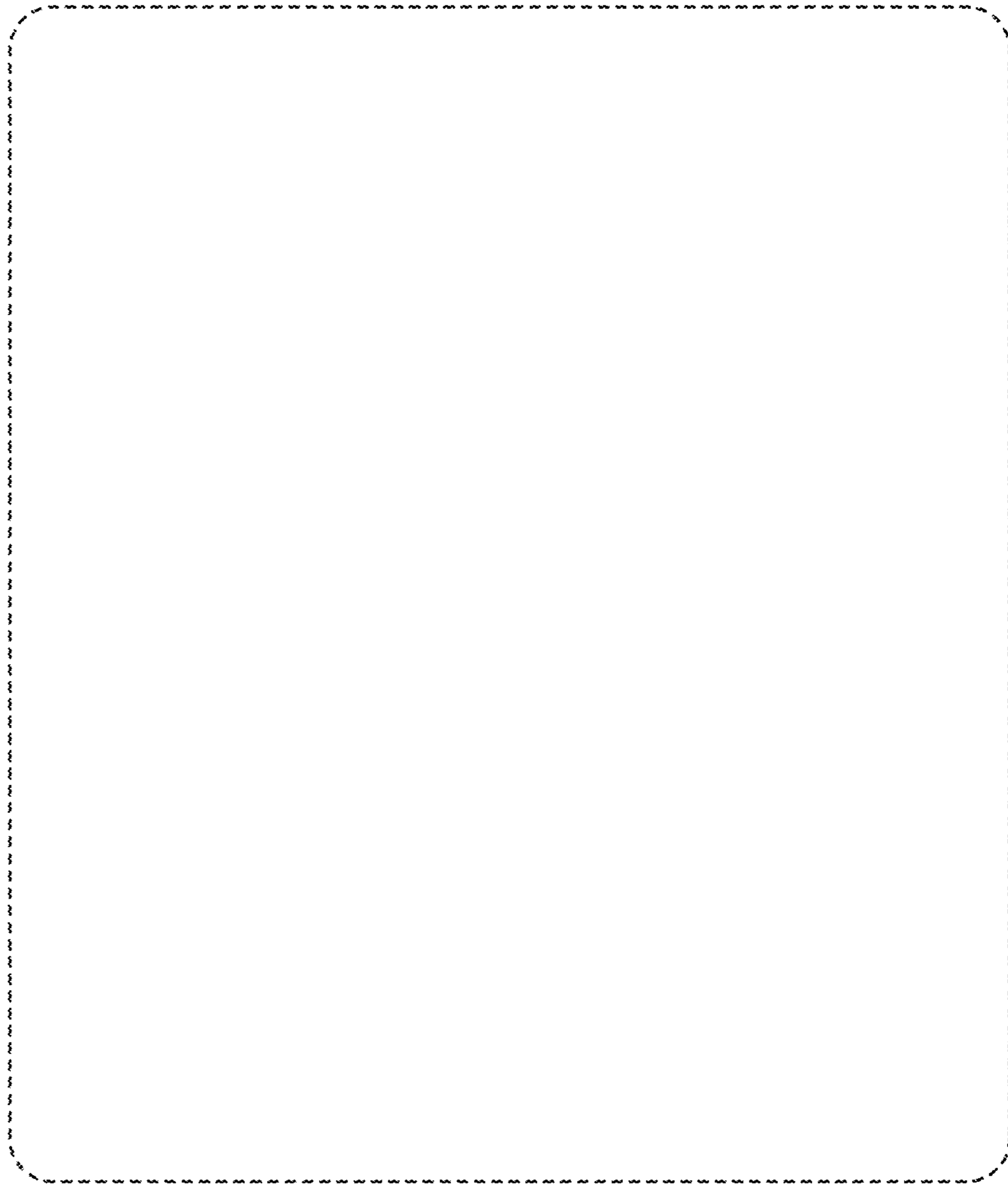


FIG. 3



FIG. 4

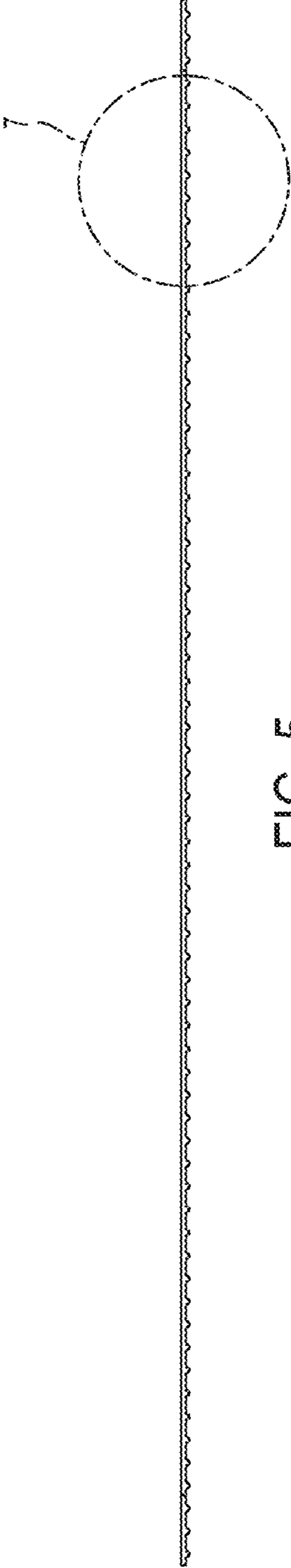


FIG. 5

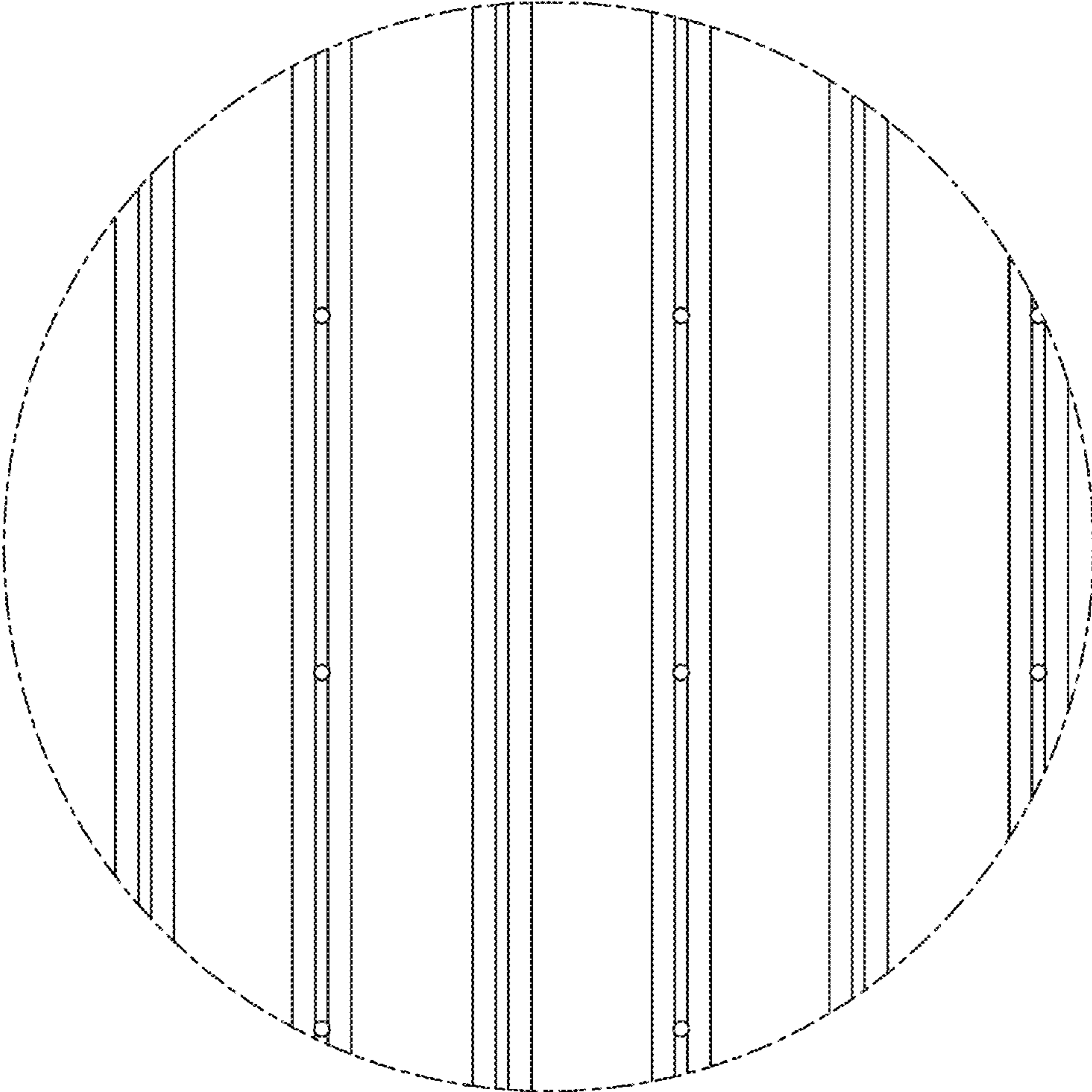


FIG. 6

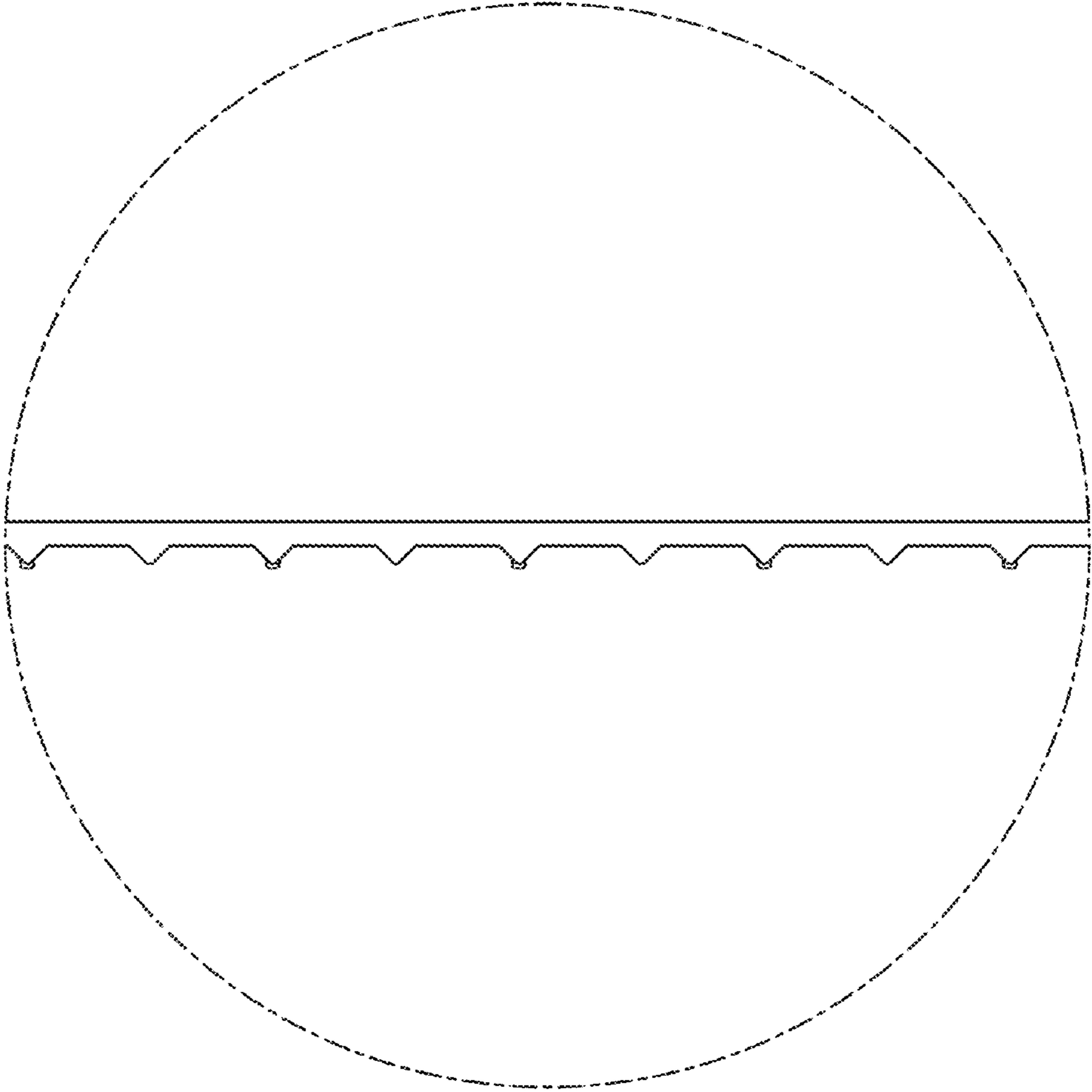


FIG. 7