



US00D755536S

(12) **United States Design Patent**
Whitlock

(10) **Patent No.:** **US D755,536 S**
(45) **Date of Patent:** **** May 10, 2016**

- (54) **ADJUSTABLE TATTOO TABLE**
- (71) Applicant: **James Whitlock**, Clearwater, FL (US)
- (72) Inventor: **James Whitlock**, Clearwater, FL (US)
- (**) Term: **14 Years**
- (21) Appl. No.: **29/489,361**
- (22) Filed: **Apr. 29, 2014**

Related U.S. Application Data

- (63) Continuation-in-part of application No. 14/192,021, filed on Feb. 27, 2014, now Pat. No. 8,985,033.
- (51) **LOC (10) Cl.** **06-06**
- (52) **U.S. Cl.**
USPC **D6/513**
- (58) **Field of Classification Search**
USPC D6/512-515, 517, 518, 525, 574, 699.4, D6/700; D8/71, 72, 73; D24/127, 128, D24/183, 184
CPC A61G 7/005; A61G 7/012; A61G 7/008; A47B 23/02; A47B 83/02; A47B 96/061; A47B 57/565; A47B 13/16; A47B 97/08; A47C 7/70; A47C 3/026; F16B 2/065; F16F 1/38; A47G 11/004
See application file for complete search history.

(56) **References Cited**

U.S. PATENT DOCUMENTS

- 1,046,479 A * 12/1912 McPherson et al. . A47B 23/046 108/140
- 1,232,757 A * 7/1917 Berkey et al. A47B 9/16 108/116
- 2,533,893 A * 12/1950 Nussbaum A45D 44/04 108/137
- 2,558,323 A * 6/1951 Strun A47D 1/106 108/149
- 2,692,806 A * 10/1954 Grace A47B 23/02 108/143
- 2,703,265 A * 3/1955 Wolfe A47B 23/02 108/49
- 2,710,051 A * 6/1955 Greenberg A47C 7/70 108/152

- 2,988,310 A * 6/1961 Wright A45B 11/00 108/49
- D205,848 S * 9/1966 Poole et al. D6/512
- 3,680,158 A * 8/1972 Speed A47C 21/024 108/49
- 4,054,282 A * 10/1977 Hamer A61G 13/12 5/610
- 4,059,248 A * 11/1977 Kuntz A47H 27/00 108/149
- D267,625 S * 1/1983 Dark D8/72
- D296,517 S * 7/1988 Martin D15/140
- D311,829 S * 11/1990 Vossoughi D6/513
- D323,560 S * 1/1992 Boyce D24/183
- D330,134 S * 10/1992 Edmunds D6/513
- D336,579 S * 6/1993 Keller D12/420
- D337,934 S * 8/1993 Young D8/355
- D342,659 S * 12/1993 Glynn D8/73
- D351,860 S * 10/1994 Kirchner D19/75
- D353,159 S * 12/1994 Kirchner D19/86
- D362,130 S * 9/1995 Alba D6/673
- D396,971 S * 8/1998 Svensson D6/656.13
- D418,997 S * 1/2000 Leveen D6/656.11
- D420,526 S * 2/2000 Darensbourg D6/513
- D435,771 S * 1/2001 Miller D8/72
- D442,454 S * 5/2001 Kolpin D8/72
- 6,968,957 B2 * 11/2005 Fynn A47B 17/03 211/11

(Continued)

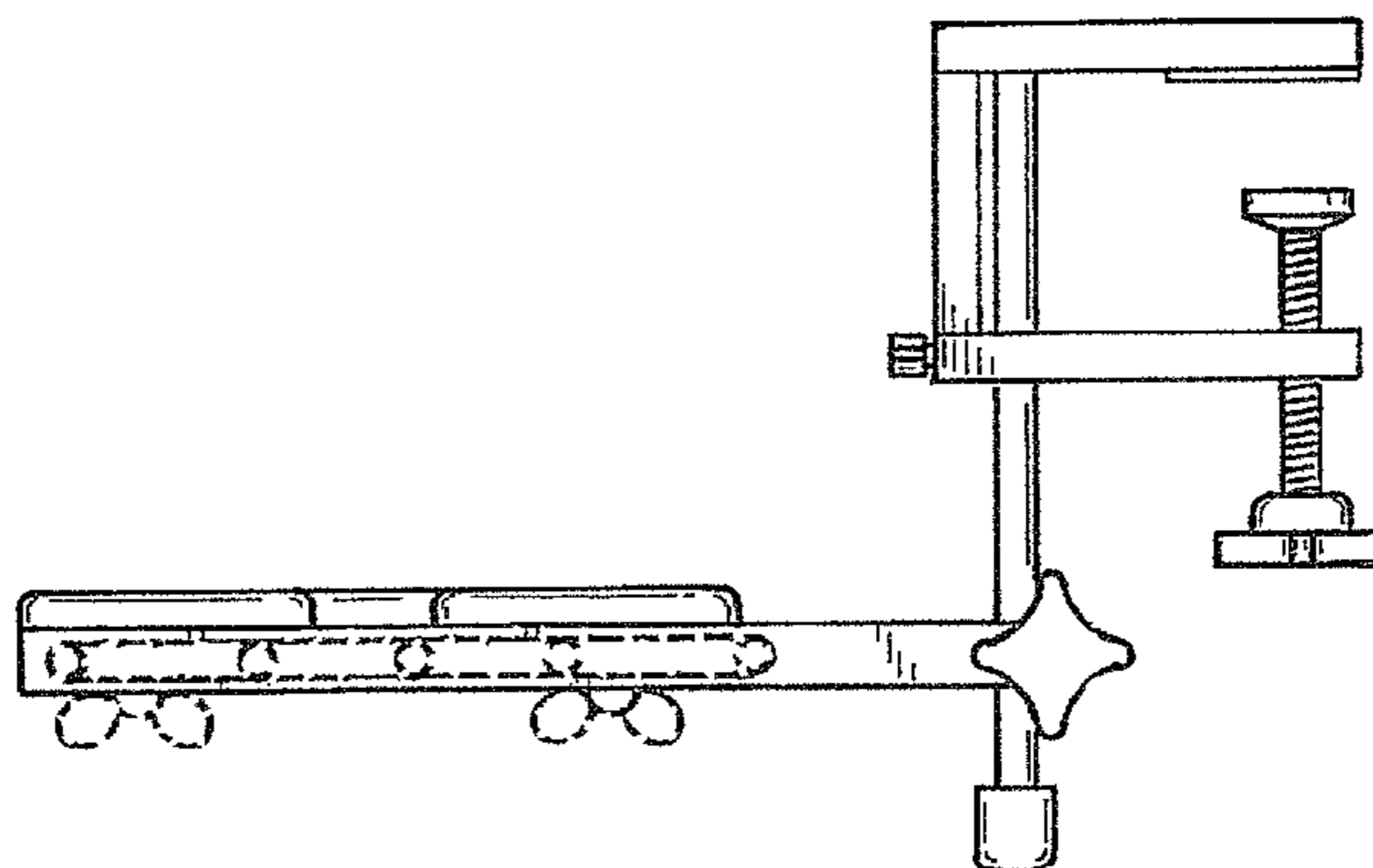
Primary Examiner — John Windmuller
Assistant Examiner — Steven Czyz
(74) *Attorney, Agent, or Firm* — Edward P Dutkiewicz

(57) **CLAIM**
The ornamental design for a adjustable tattoo table, as shown and described.

DESCRIPTION

FIG. 1 is a front elevational view of the adjustable tattoo table showing my new design.
FIG. 2 is a rear elevational view.
FIG. 3 is a top plan view.
FIG. 4 is bottom plan view.
FIG. 5 is a right side elevational view.
FIG. 6 is a left side elevational view of the adjustable tattoo table; and,
FIG. 7 is a perspective view taken from the right upper point of view.

1 Claim, 4 Drawing Sheets



(56)

References Cited

U.S. PATENT DOCUMENTS

D535,671 S * 1/2007 Bernhardt D15/140
8,025,015 B1 * 9/2011 Kennedy, Sr. B60R 11/0252
108/152
D653,066 S * 1/2012 Henderson D6/553
D660,416 S * 5/2012 Lechtenberg D24/128
D692,132 S * 10/2013 Damron D24/128

8,667,906 B2 * 3/2014 Anglavis A47B 17/033
108/141
8,985,033 B1 * 3/2015 Whitlock A61M 37/0076
108/152
D728,800 S * 5/2015 Klein D24/184
9,089,203 B1 * 7/2015 Al-Raqadi A47B 1/04
2013/0186310 A1 * 7/2013 Lymberis A47B 96/025
108/137

* cited by examiner

FIG. 1

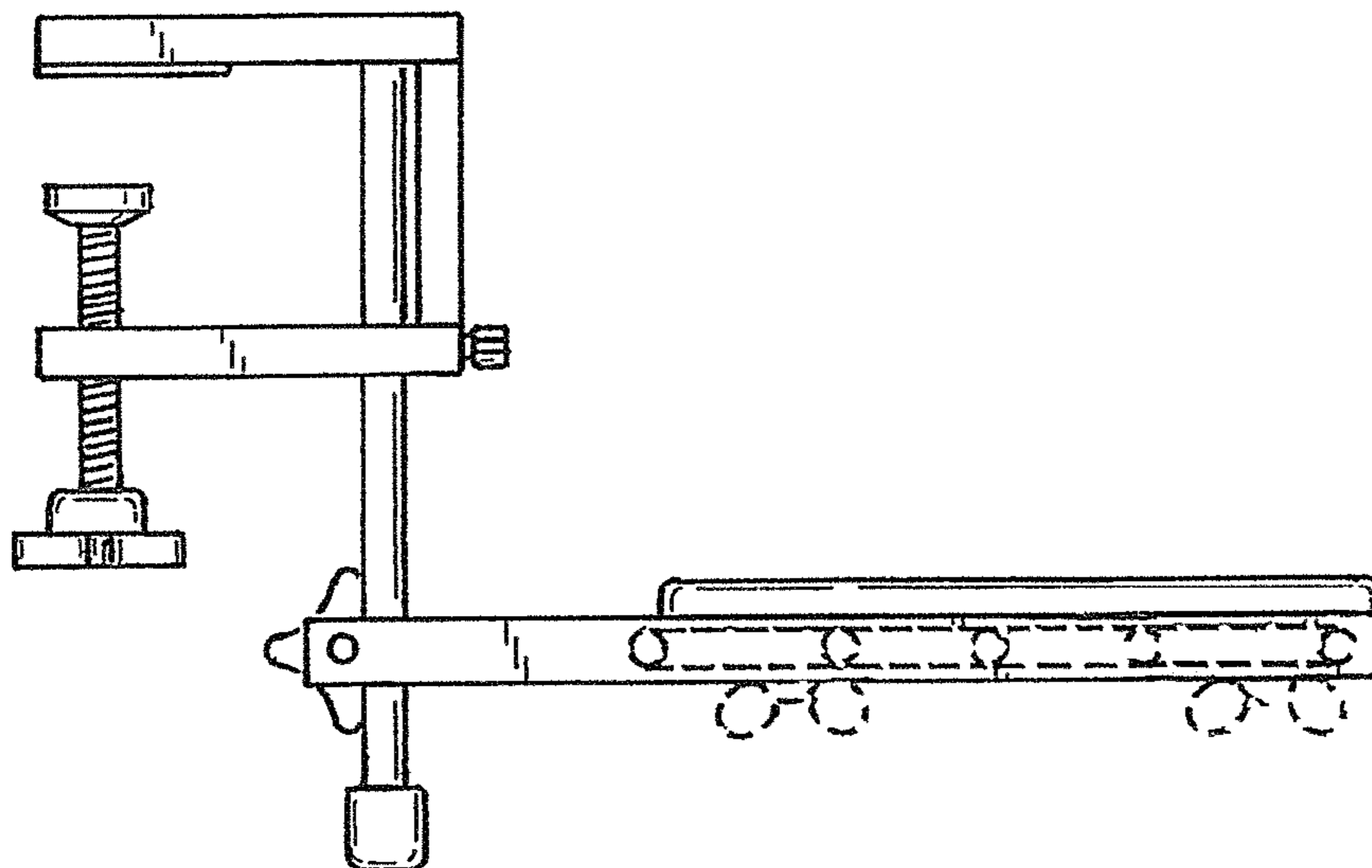
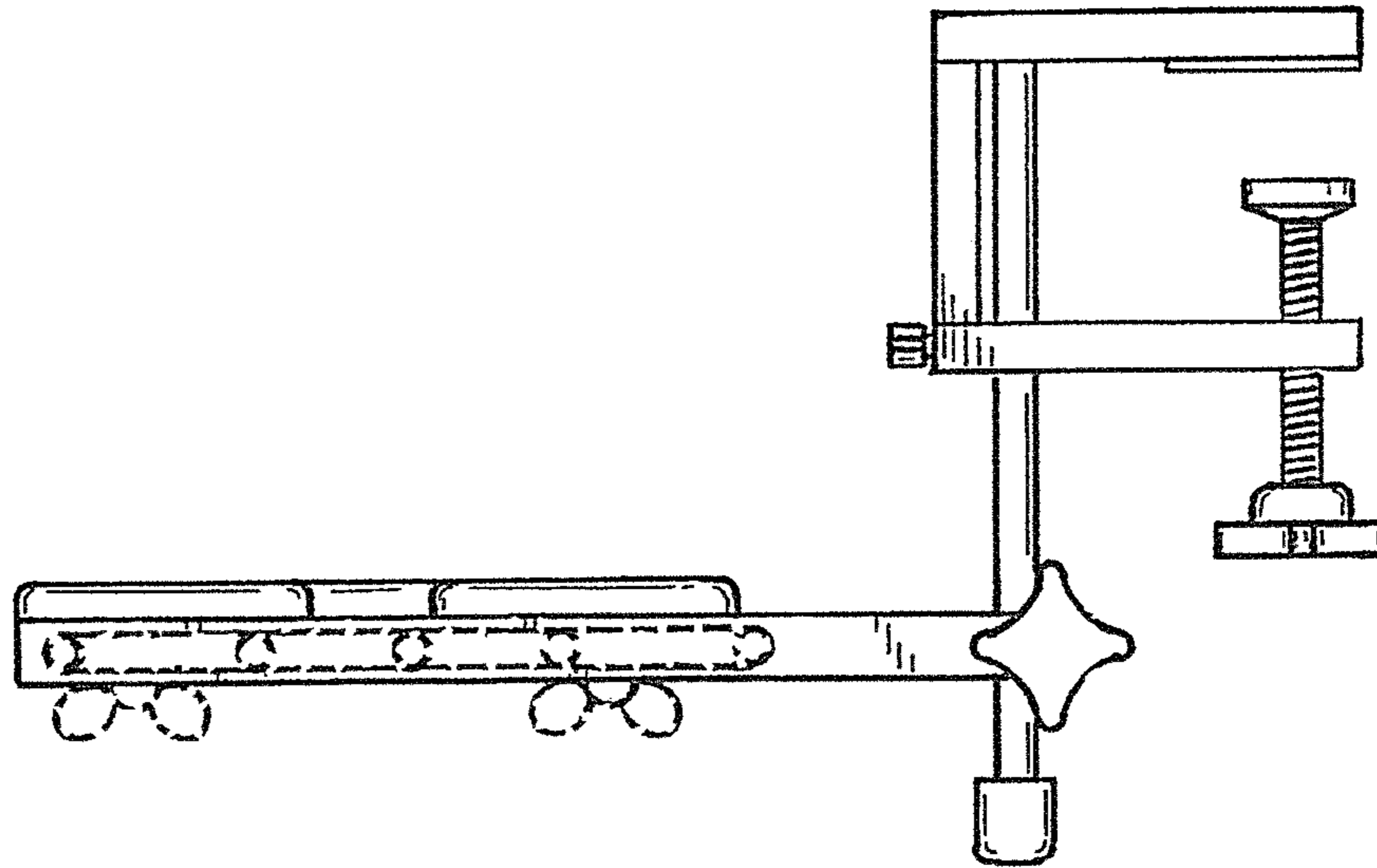


FIG. 2

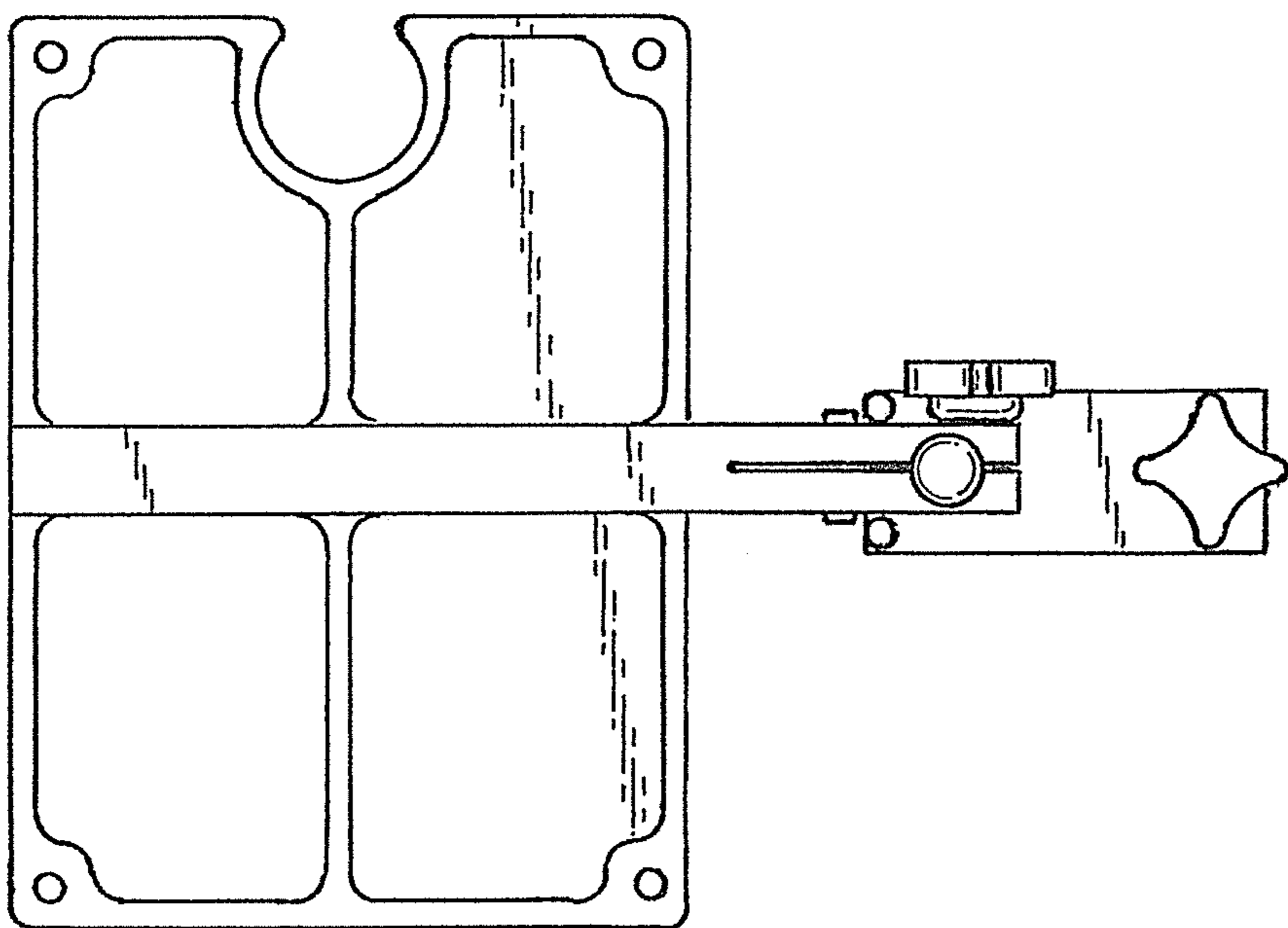
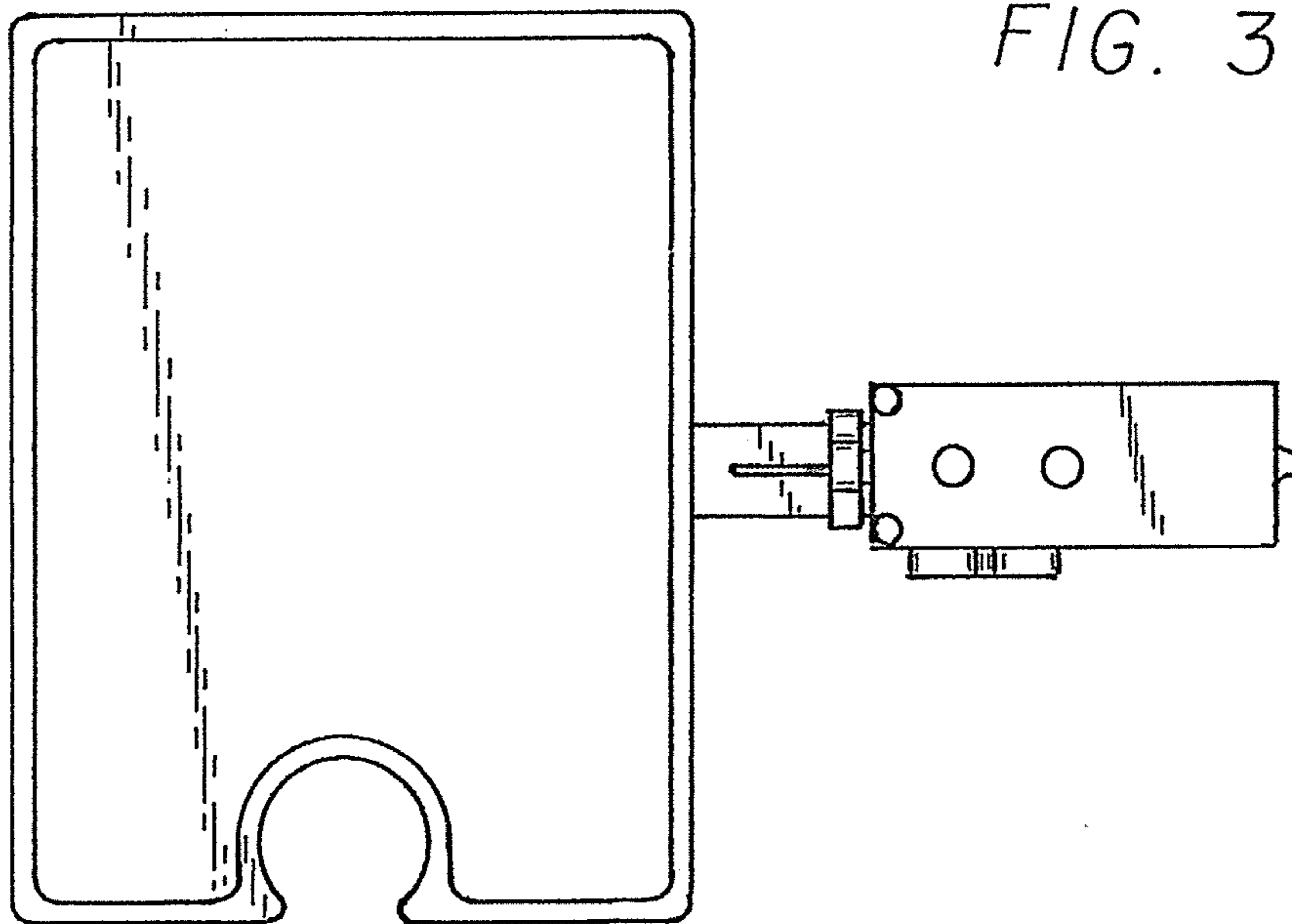


FIG. 4

FIG. 5

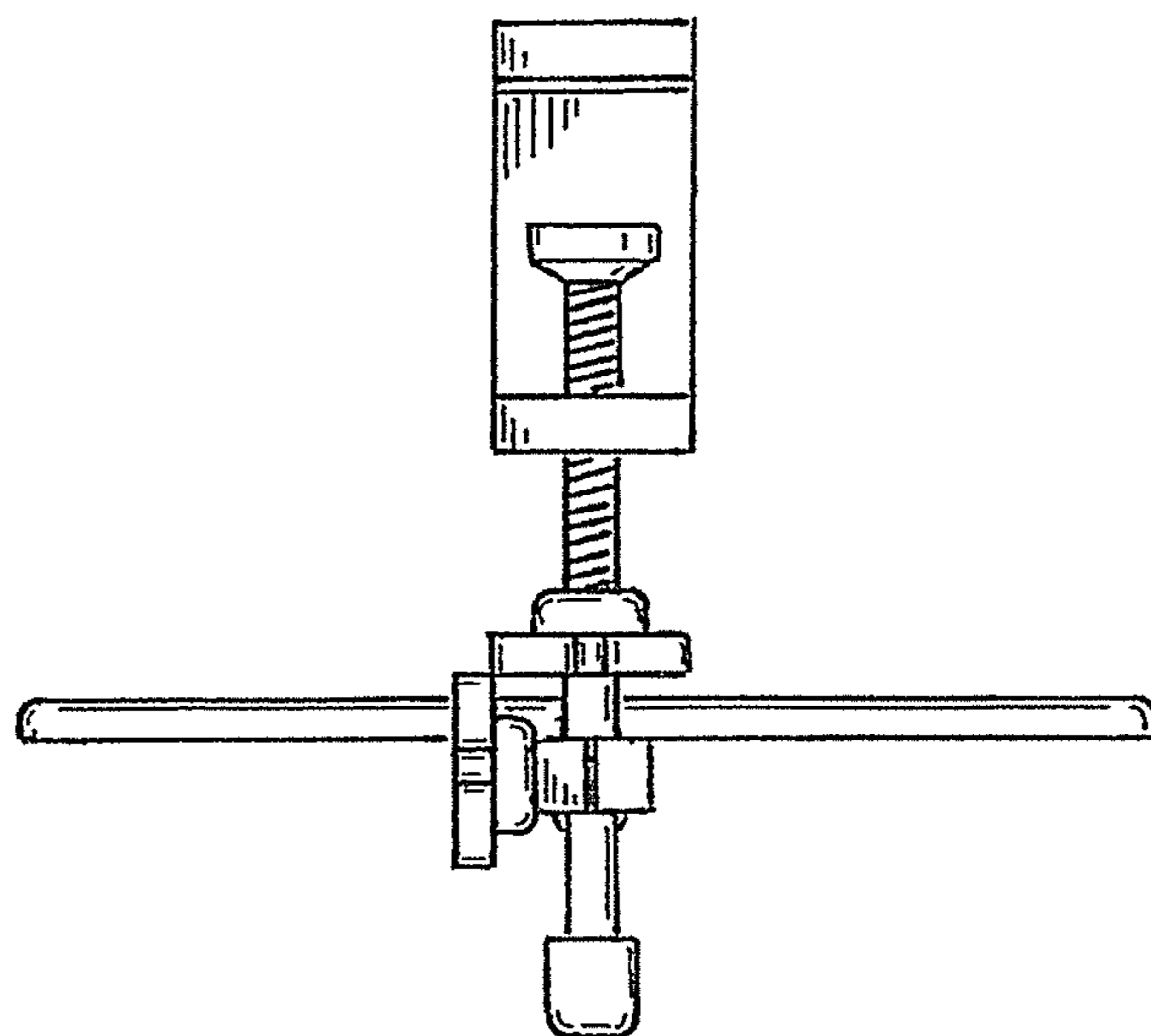
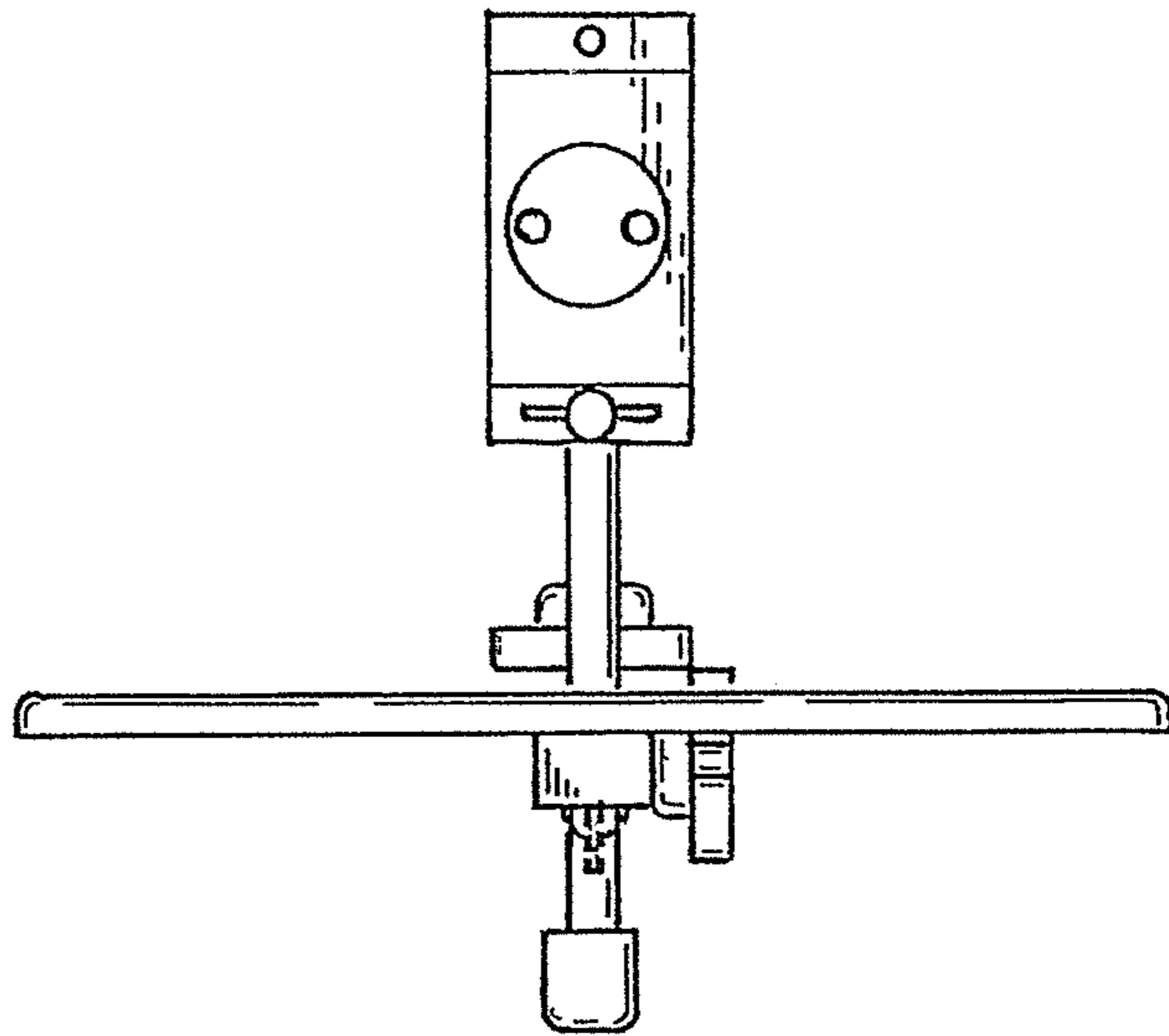


FIG. 6

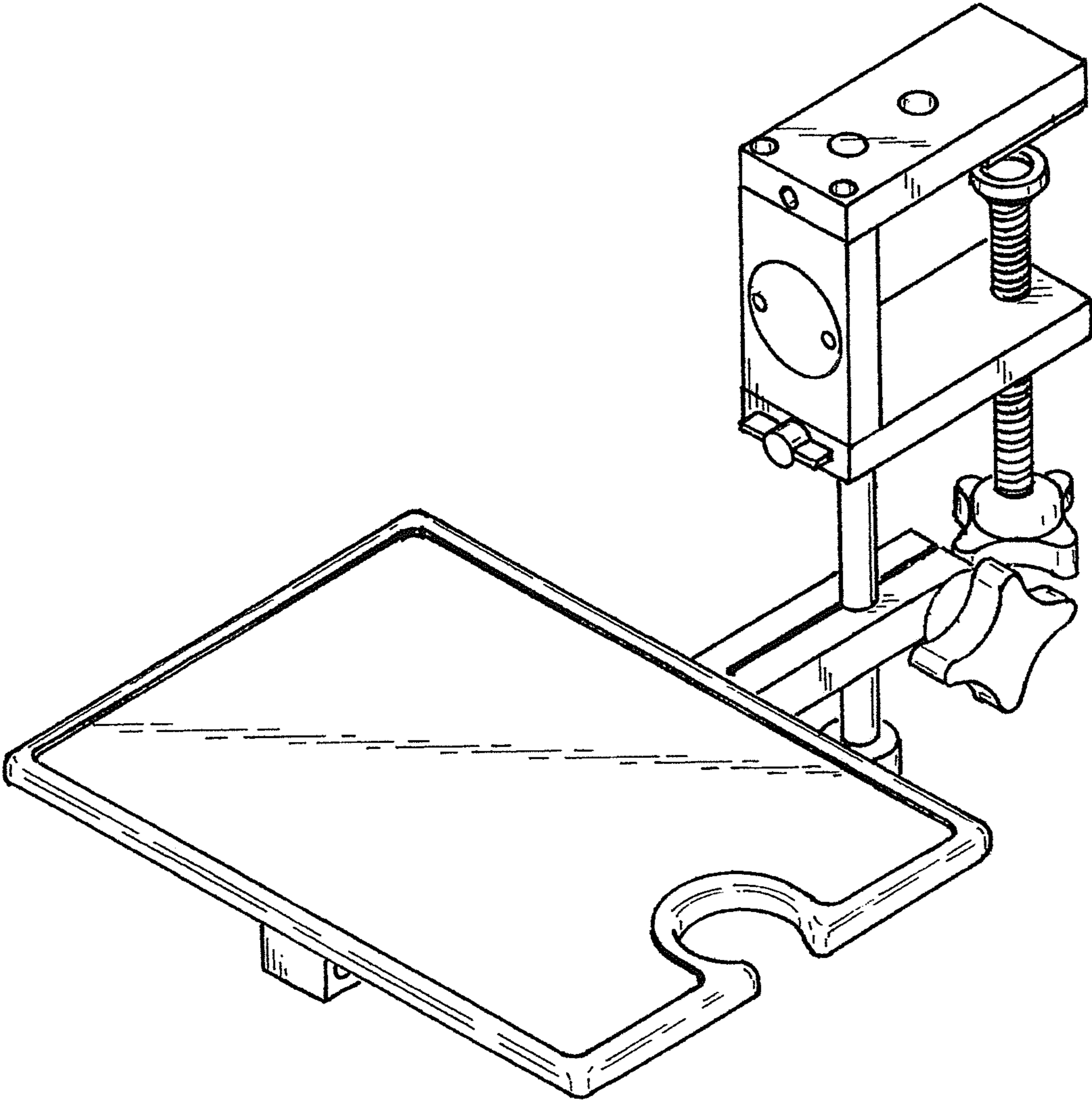


FIG. 7