



US00D755534S

(12) **United States Design Patent**
Thoms et al.

(10) **Patent No.:** **US D755,534 S**
(45) **Date of Patent:** **** May 10, 2016**

(54) **SOFA**

(56) **References Cited**

(71) Applicant: **Ashley Furniture Industries, Inc.**,
Arcadia, WI (US)

U.S. PATENT DOCUMENTS

(72) Inventors: **Kirk Thoms**, Tupelo, MS (US); **Christie Lamb**, Saltillo, MS (US)

D613,959	S	*	4/2010	Crockett	D6/381
D721,513	S	*	1/2015	Adair	D6/381
D721,514	S	*	1/2015	Adair	D6/381
D721,515	S	*	1/2015	Adair	D6/381
D721,516	S	*	1/2015	Adair	D6/381
D721,899	S	*	2/2015	Adair	D6/381
D741,082	S	*	10/2015	Dix	D6/381
D742,135	S	*	11/2015	Dix	D6/381

(73) Assignee: **Ashley Furniture Industries, Inc.**,
Arcadia, WI (US)

* cited by examiner

(**) Term: **14 Years**

Primary Examiner — Sandra Snapp

(74) *Attorney, Agent, or Firm* — McAndrews Held & Malloy, Ltd.

(21) Appl. No.: **29/522,777**

(57) **CLAIM**

The ornamental design for a sofa, as shown and described.

(22) Filed: **Apr. 2, 2015**

DESCRIPTION

(51) **LOC (10) Cl.** **06-01**

(52) **U.S. Cl.**
USPC **D6/381**

(58) **Field of Classification Search**
USPC D6/334, 335, 336, 338, 349, 355, 381,
D6/716, 716.1; 297/118, 119, 135, 144,
297/232, 445.1, 448.1, 452.18; 5/12.1, 12.2
CPC A47C 1/02; A47C 1/12; A47C 11/00;
A47C 17/00; A47C 17/02

FIG. 1 is a perspective view of a sofa showing our new design;
FIG. 2 is a front elevation view thereof;
FIG. 3 is a left side elevation view thereof;
FIG. 4 is a right side elevation view thereof; and,
FIG. 5 is a top plan view thereof.

The shorter dashed broken lines depicting the stitching form part of the claimed design.

Views of the sofa not shown in the figures form no part of the claimed design.

See application file for complete search history.

1 Claim, 5 Drawing Sheets

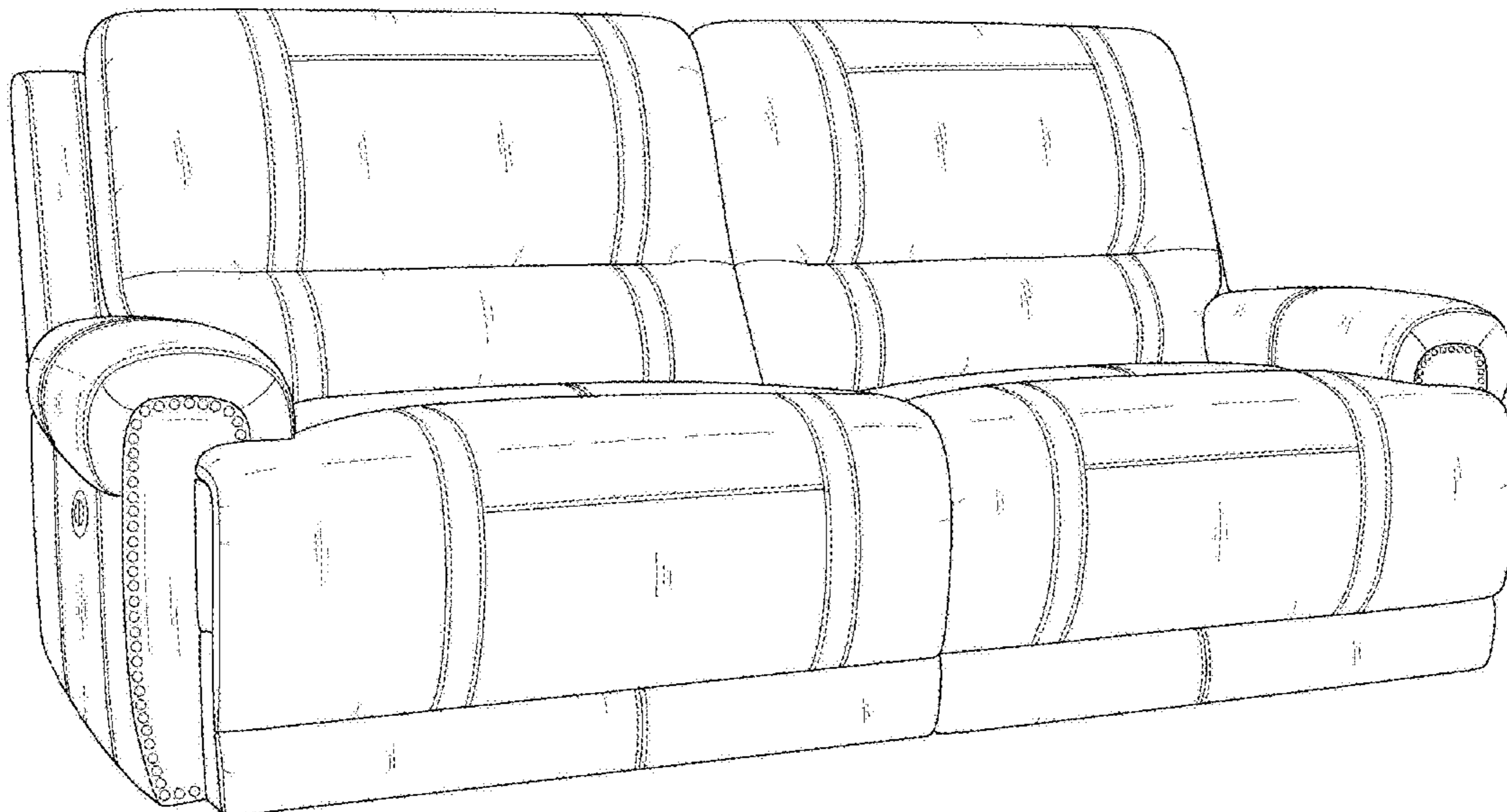


FIG. 1

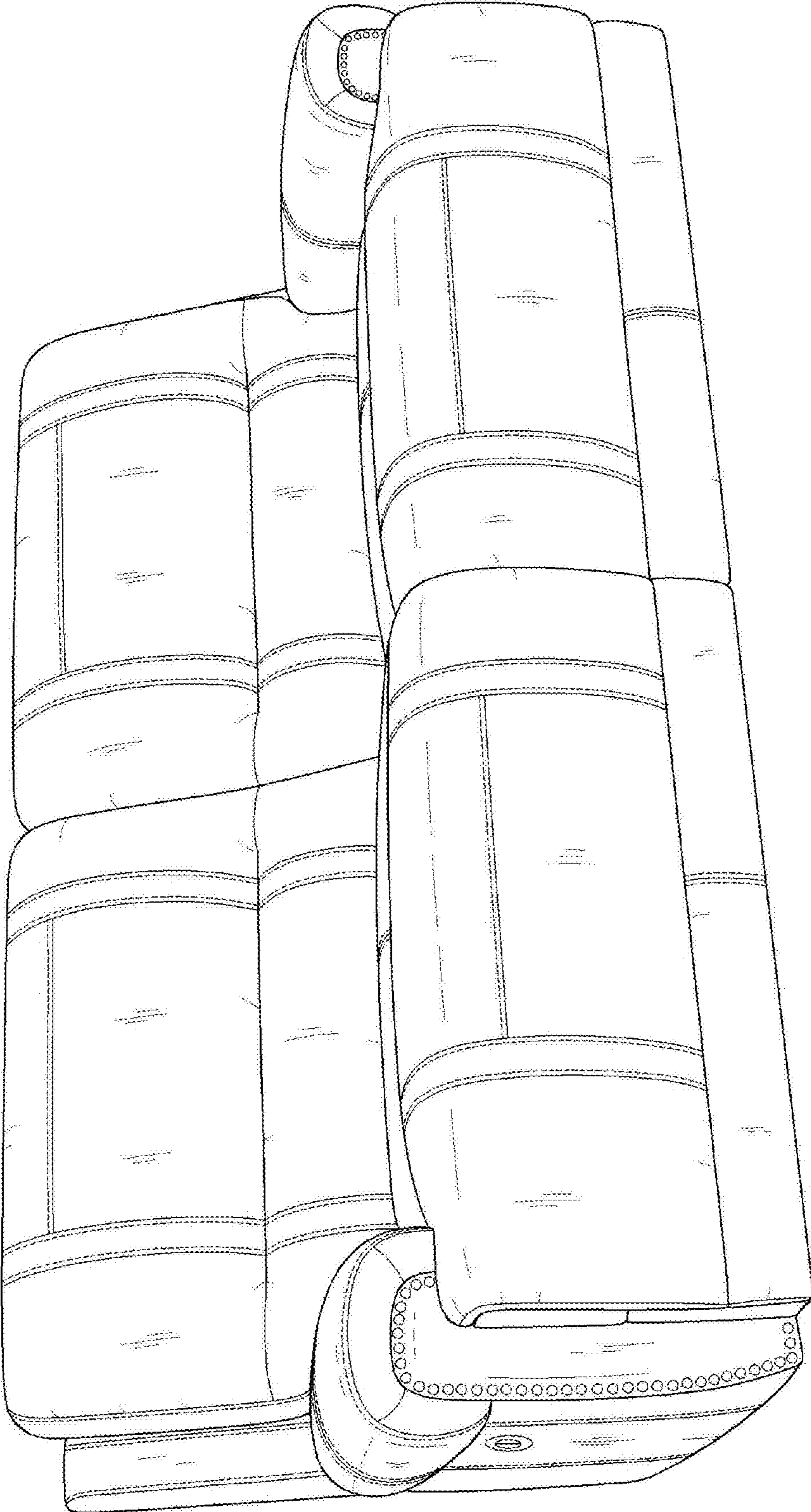


FIG. 2

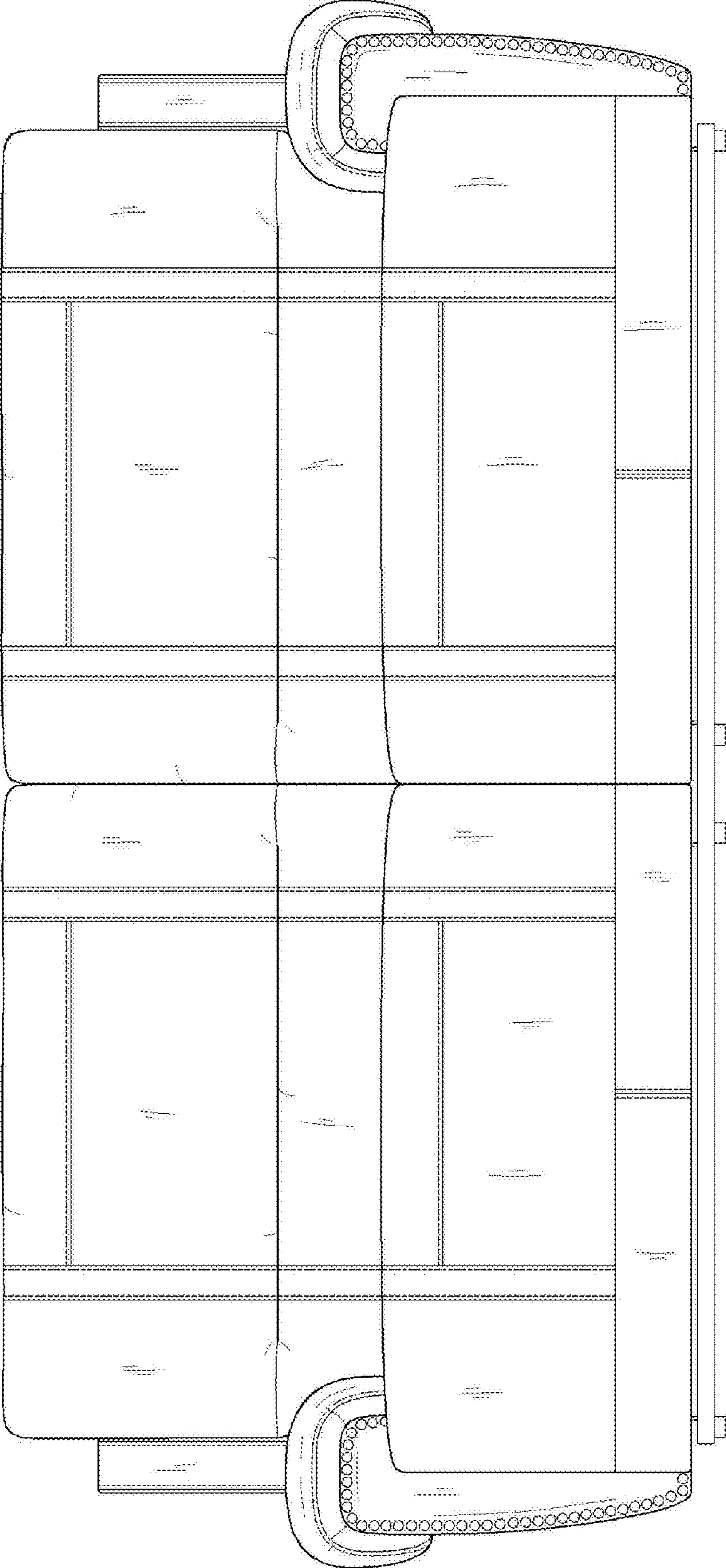
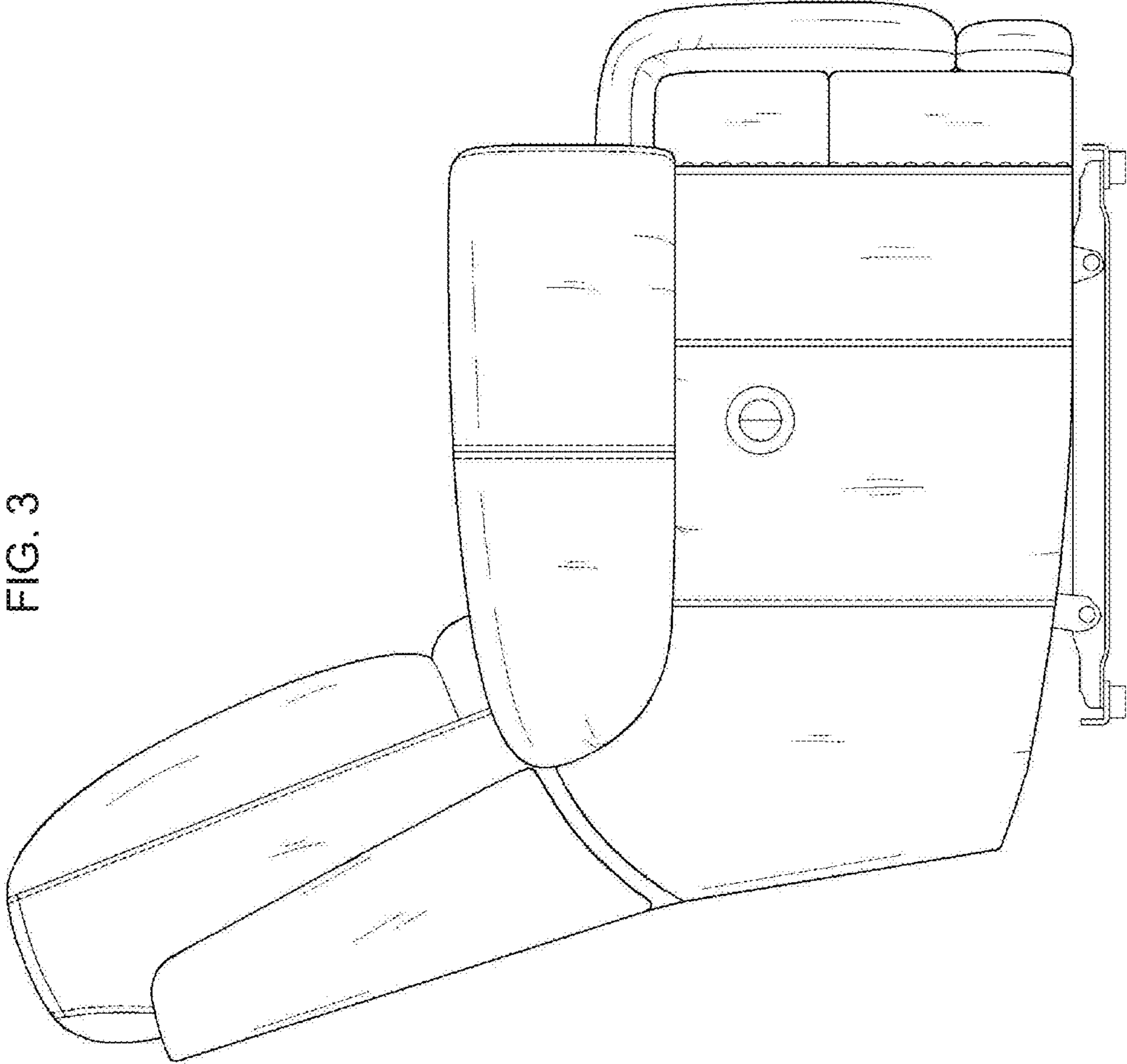


FIG. 3



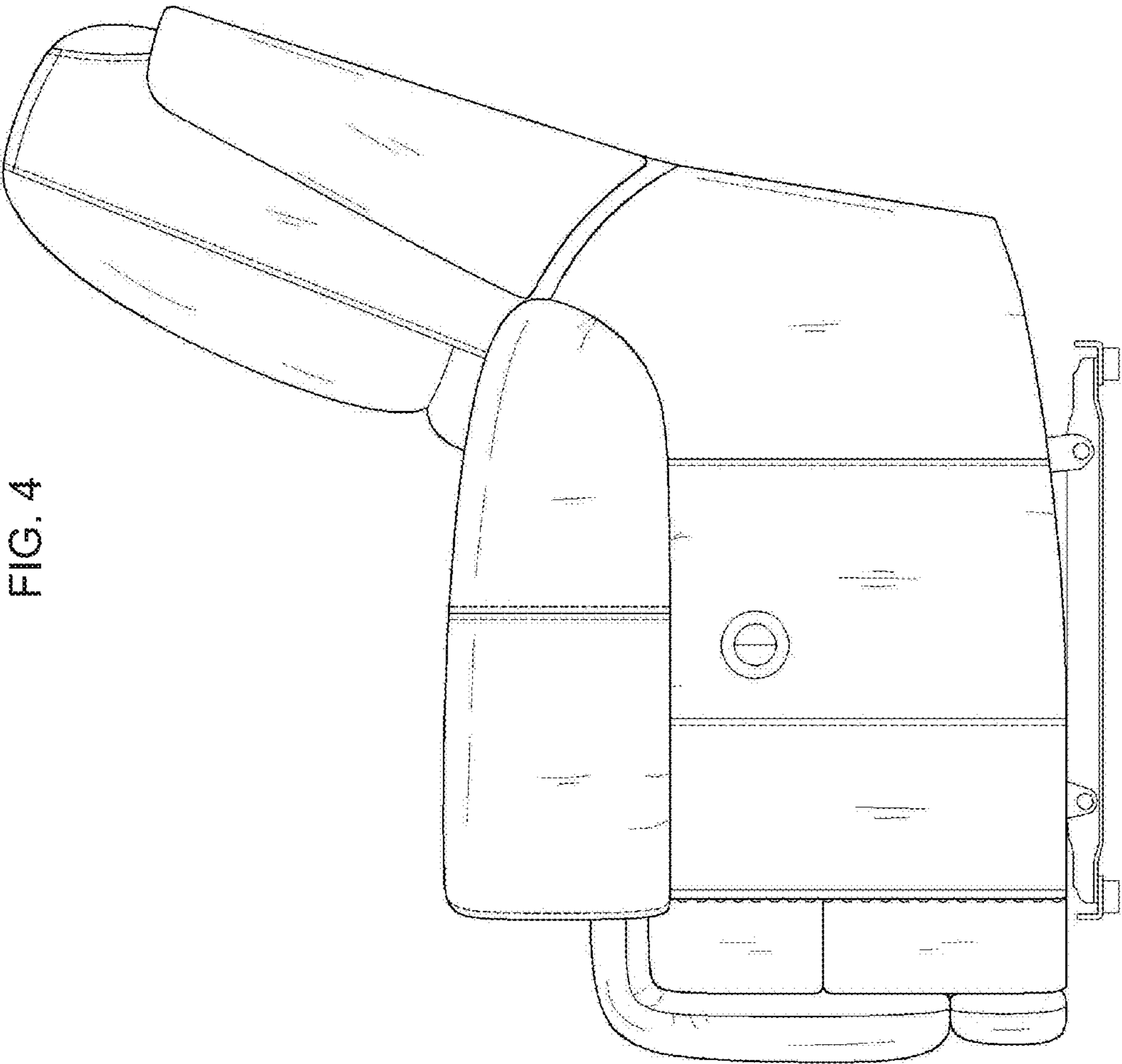


FIG. 4

FIG. 5

