

US00D755532S

(12) **United States Design Patent**  
Su

(10) **Patent No.:** **US D755,532 S**

(45) **Date of Patent:** **\*\* May 10, 2016**

(54) **OFFICE CHAIR**

(71) Applicant: **Chih-Cheng Su**, Dongguan (CN)

(72) Inventor: **Chih-Cheng Su**, Dongguan (CN)

(73) Assignee: **DONGGUAN KENTEC OFFICE SEATING CO., LTD.**, Dongguan (CN)

(\*\*) Term: **14 Years**

(21) Appl. No.: **29/502,137**

(22) Filed: **Sep. 12, 2014**

(51) **LOC (10) Cl.** ..... **06-01**

(52) **U.S. Cl.**  
USPC ..... **D6/366**

(58) **Field of Classification Search**  
USPC ..... D6/334-336, 364, 365, 366, 374, 379,  
D6/380, 716, 716.1, 716.2, 716.4  
CPC ..... A47C 7/38; A47C 7/022; A47C 7/40;  
A47C 7/18; A47C 7/004; A47C 4/028;  
A47C 7/54; B60N 2/66

See application file for complete search history.

(56) **References Cited**

**U.S. PATENT DOCUMENTS**

D436,456 S *	1/2001	Neil	.....	D6/366
D507,124 S *	7/2005	Yang	.....	D6/366
D576,813 S *	9/2008	Baldanzi	.....	D6/366
D650,617 S *	12/2011	Chen	.....	D6/366
D658,904 S *	5/2012	Chen	.....	D6/366

D665,590 S *	8/2012	Wagner	.....	D6/366
D694,541 S *	12/2013	Breen	.....	D6/366
D695,538 S *	12/2013	Geelen	.....	D6/366
D697,330 S *	1/2014	Chen	.....	D6/366
D706,047 S *	6/2014	Giugiaro	.....	D6/366
D707,459 S *	6/2014	Ma	.....	D6/366

\* cited by examiner

*Primary Examiner* — Mimoso De

(57) **CLAIM**

The ornamental design for an office chair, as shown and described.

**DESCRIPTION**

FIG. 1 is a perspective view of an office chair showing my new design;  
 FIG. 2 is a front elevational view thereof;  
 FIG. 3 is a rear elevational view thereof;  
 FIG. 4 is a left side elevational view thereof;  
 FIG. 5 is a right side elevational view thereof;  
 FIG. 6 is a top plan view thereof;  
 FIG. 7 is another perspective view thereof;  
 FIG. 8 is an enlarged view of circle A in FIG. 7;  
 FIG. 9 is an enlarged view of circle B in FIG. 7;  
 FIG. 10 is an enlarged view of circle C in FIG. 7; and,  
 FIG. 11 is an enlarged view of circle D in FIG. 7.  
 The broken line disclosure represents a portion of the office chair which forms no part of the claimed design.

**1 Claim, 9 Drawing Sheets**

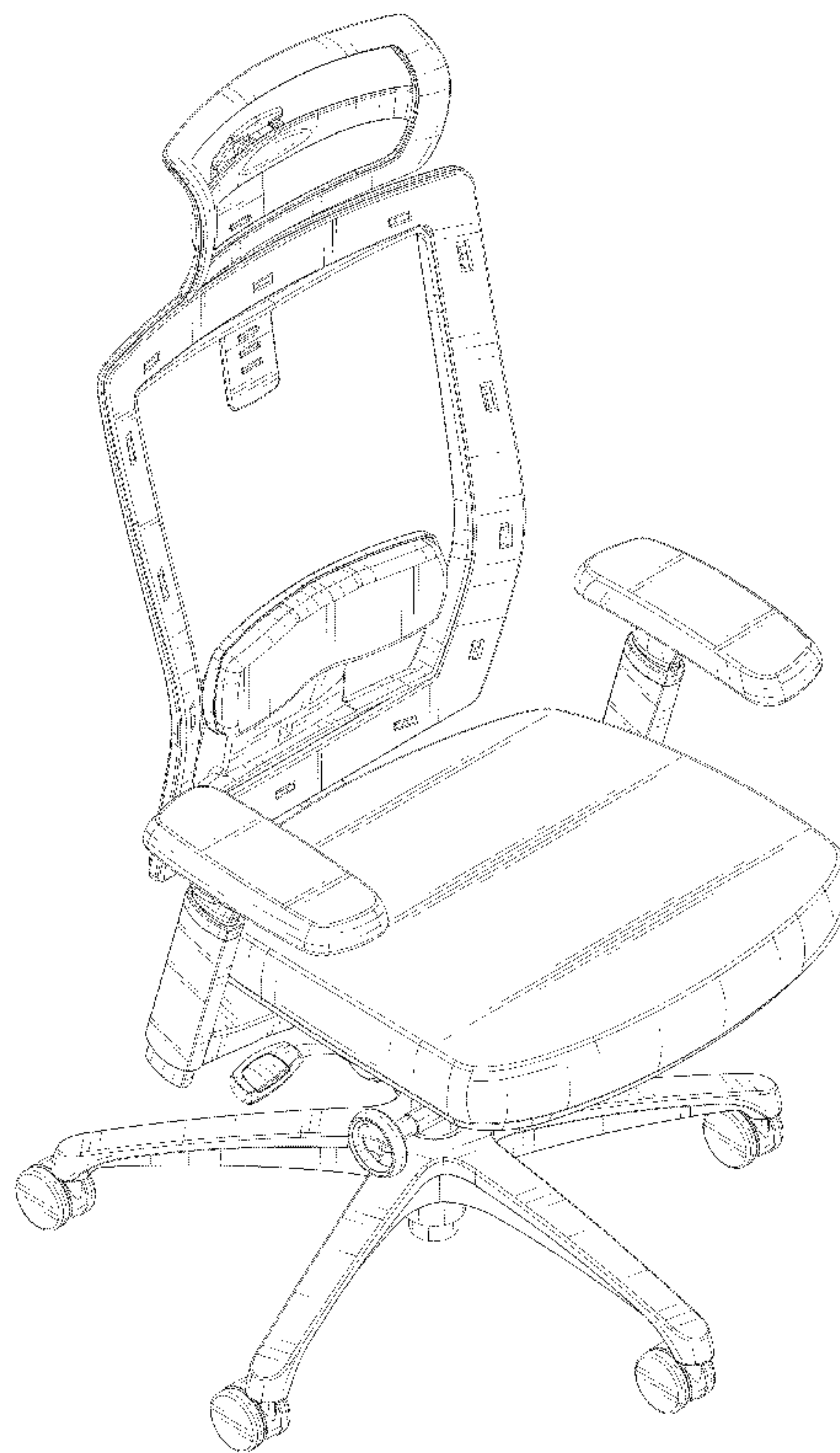




FIG. 1



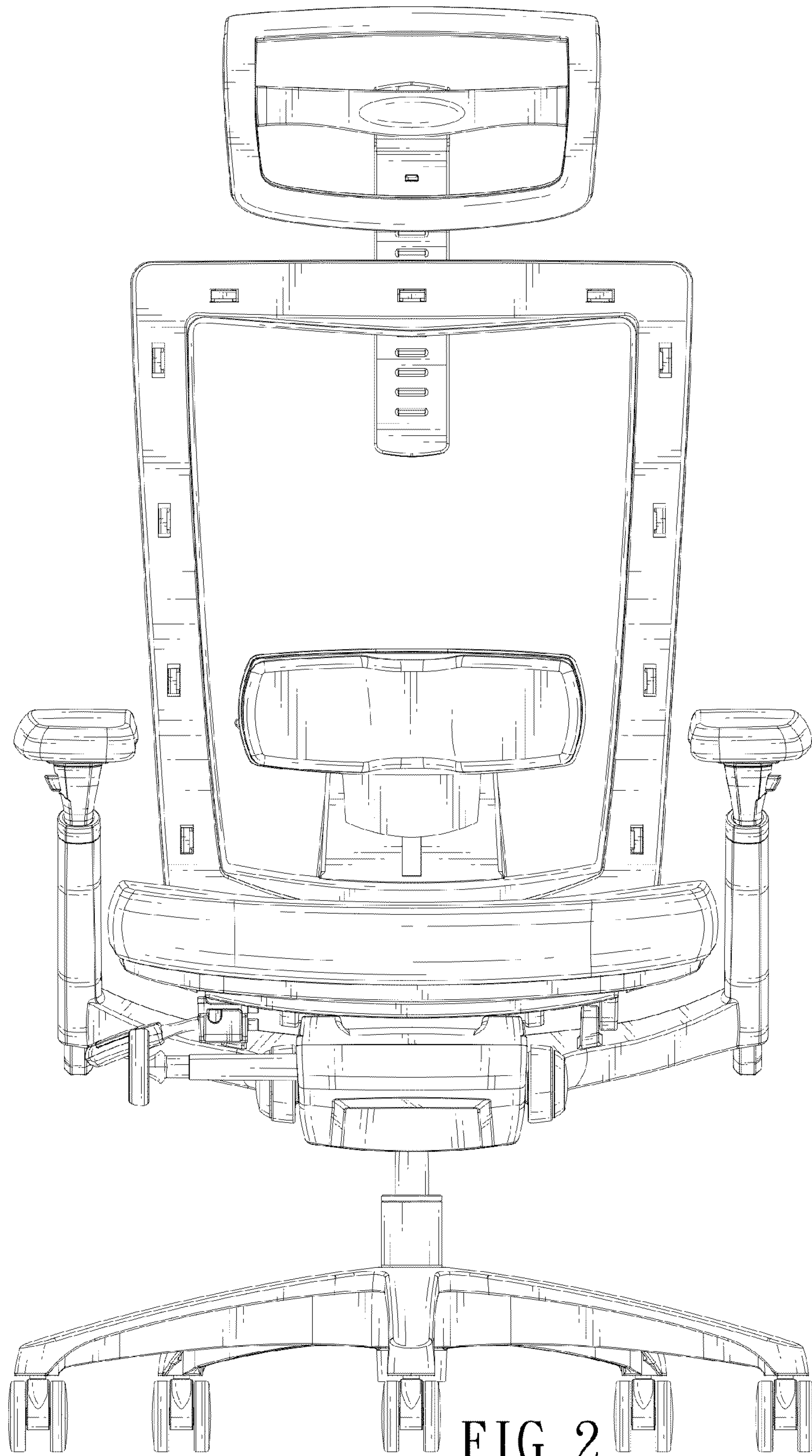


FIG. 2

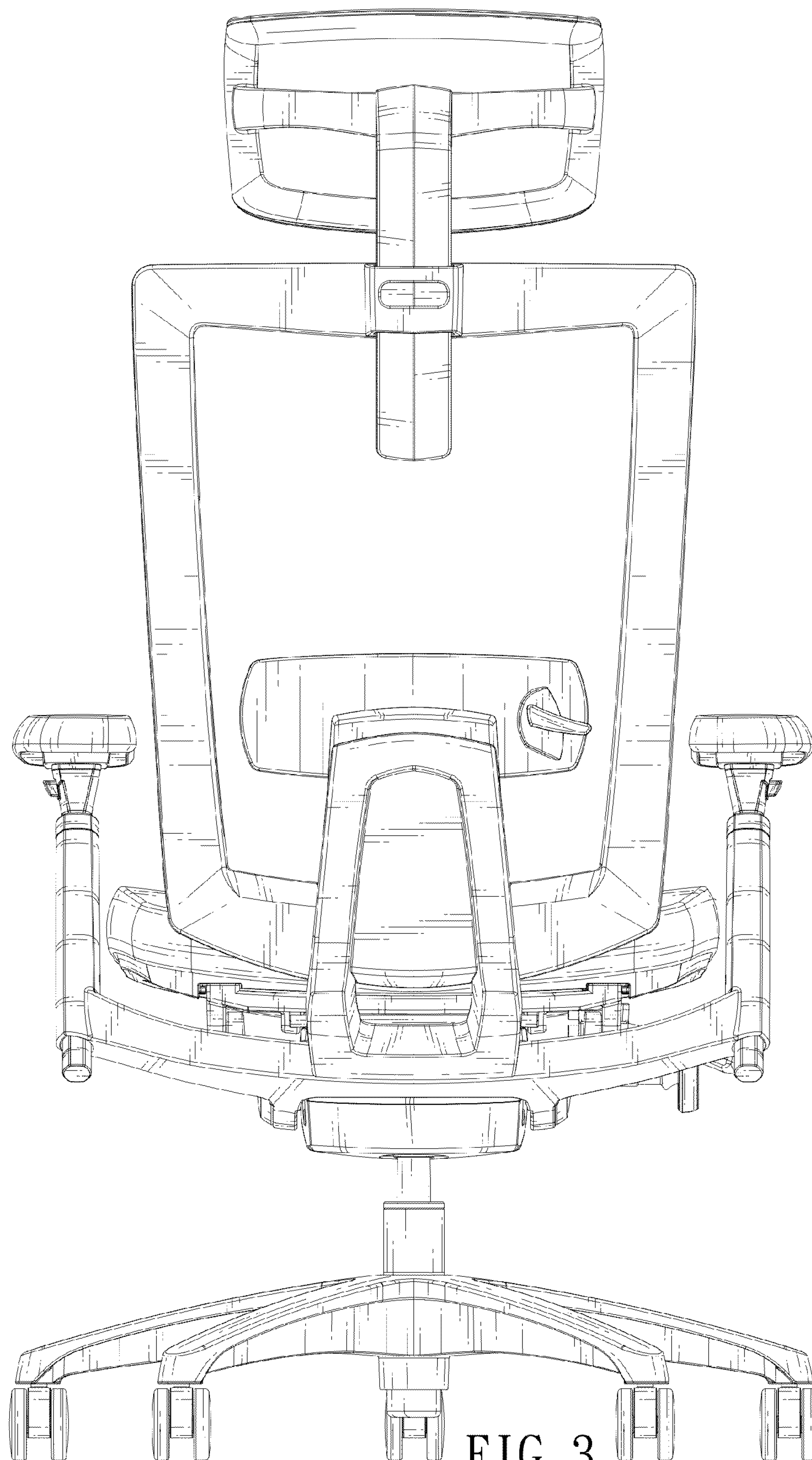


FIG. 3

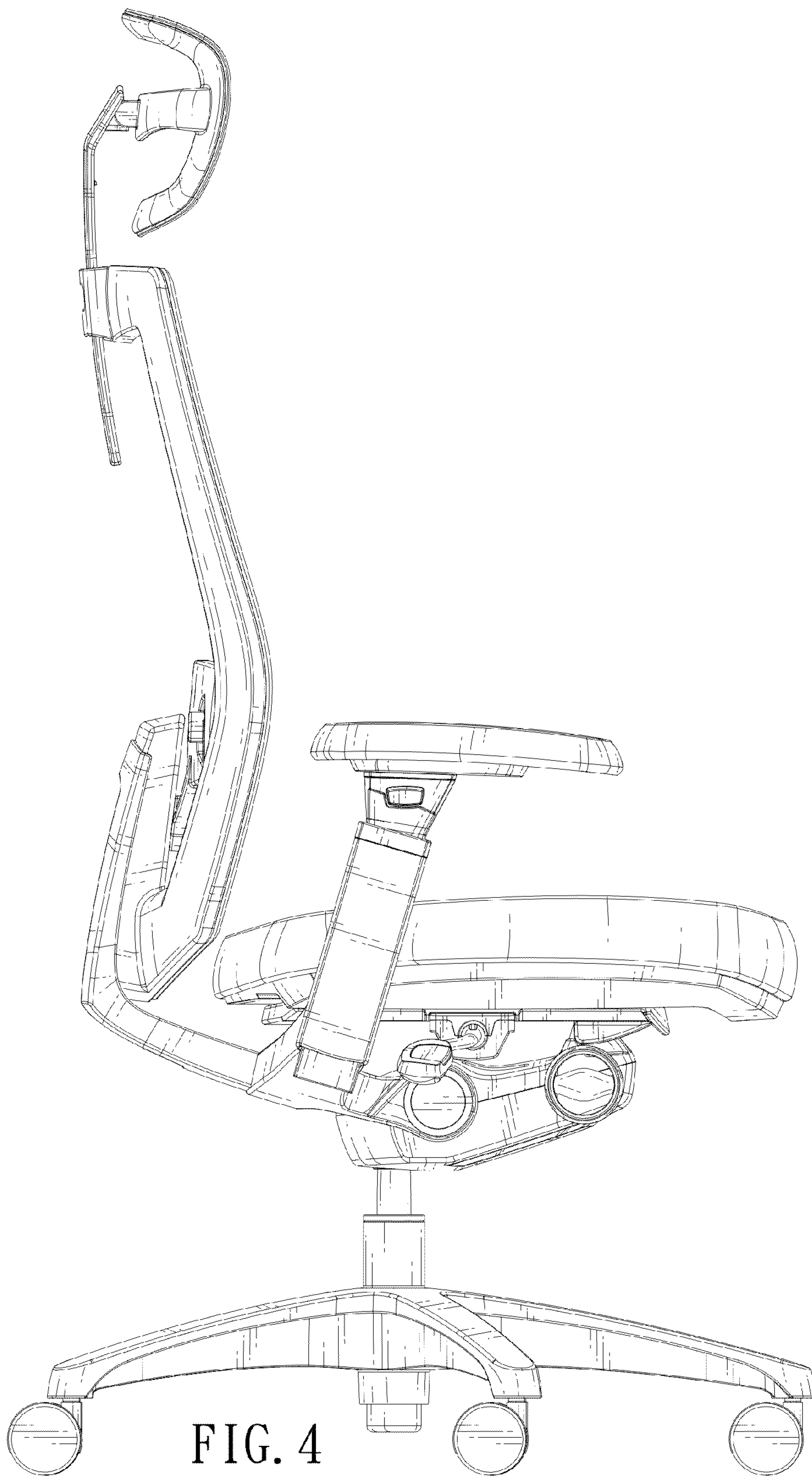


FIG. 4



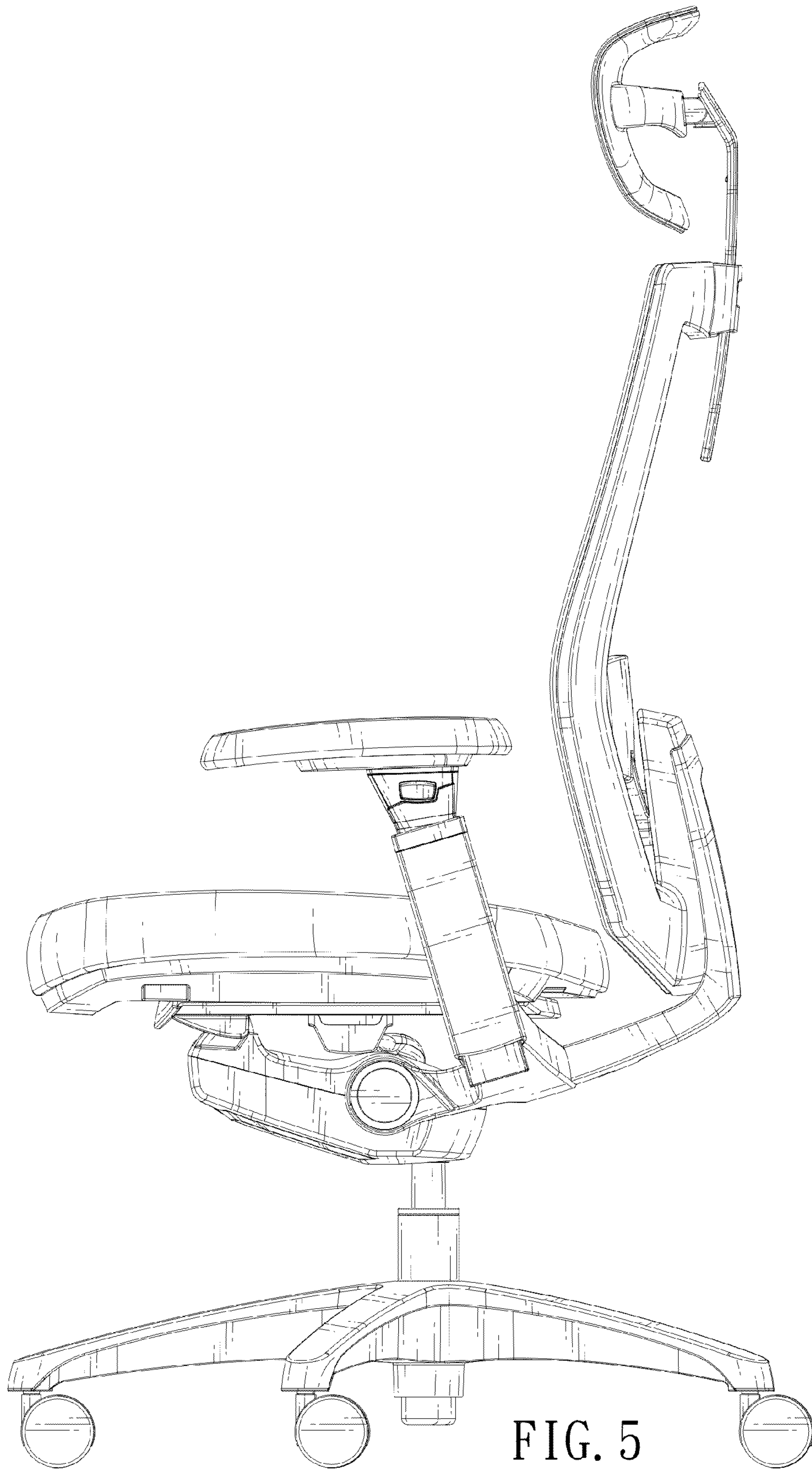


FIG. 5

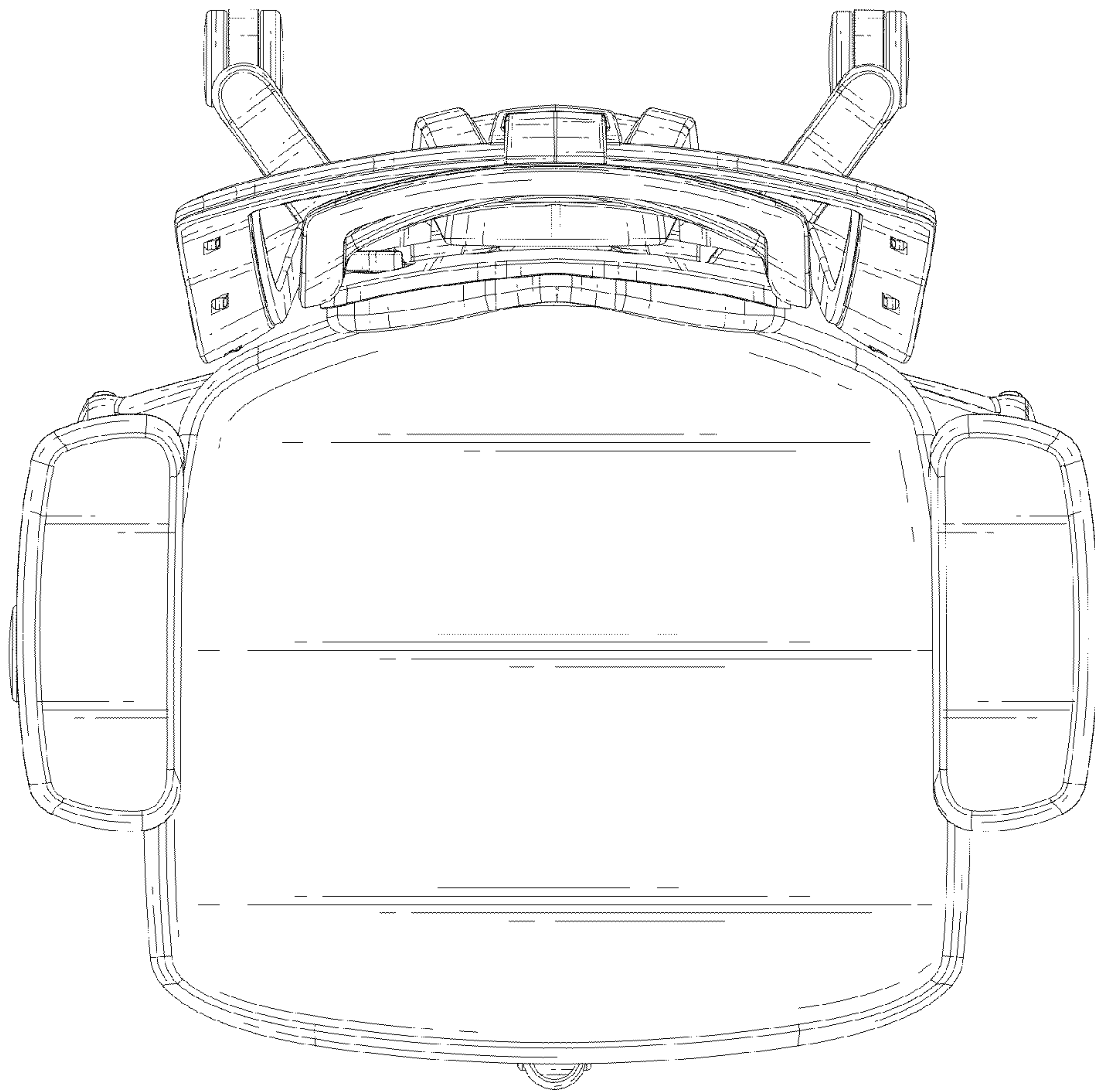


FIG. 6

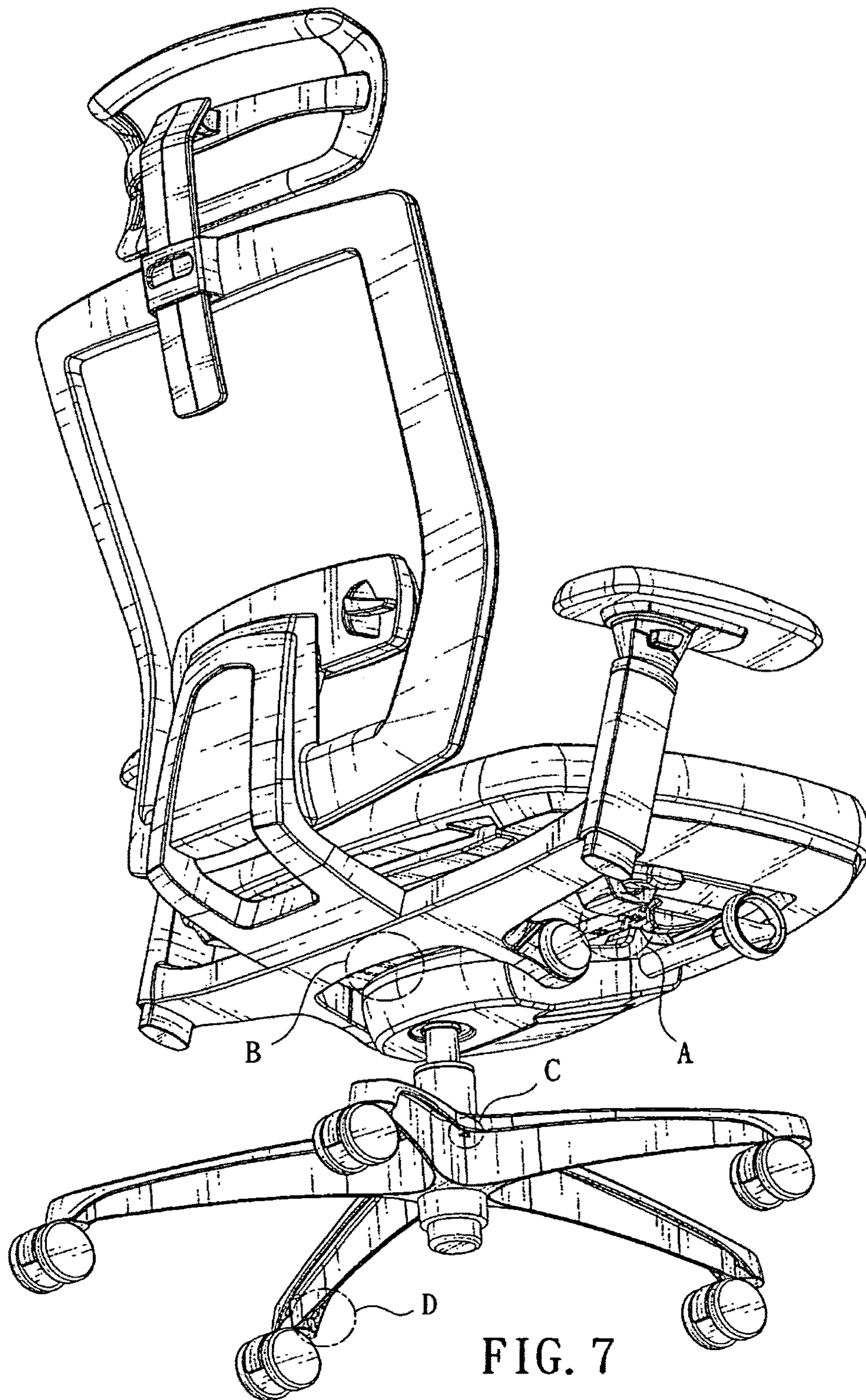


FIG. 7



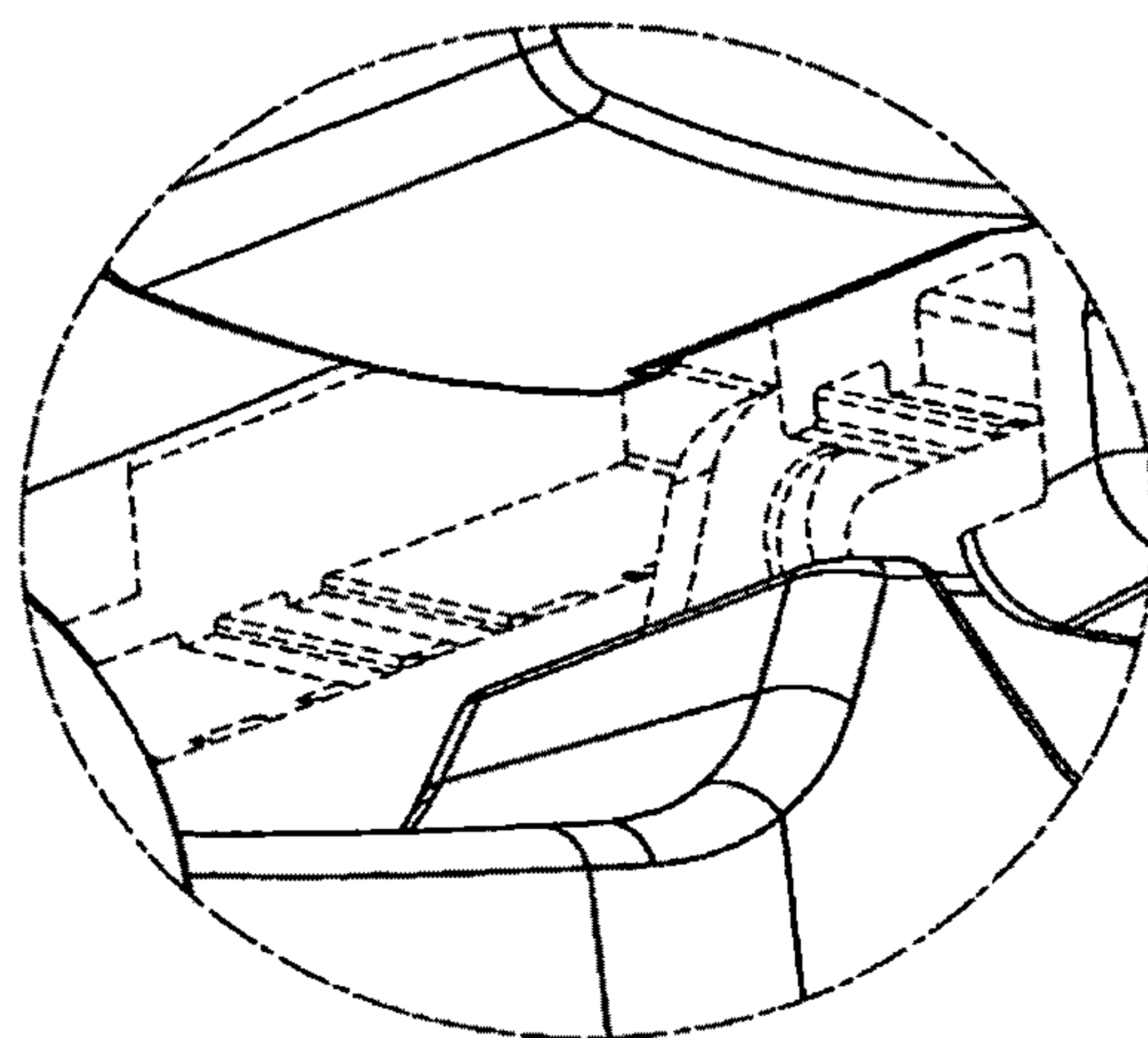


FIG. 8

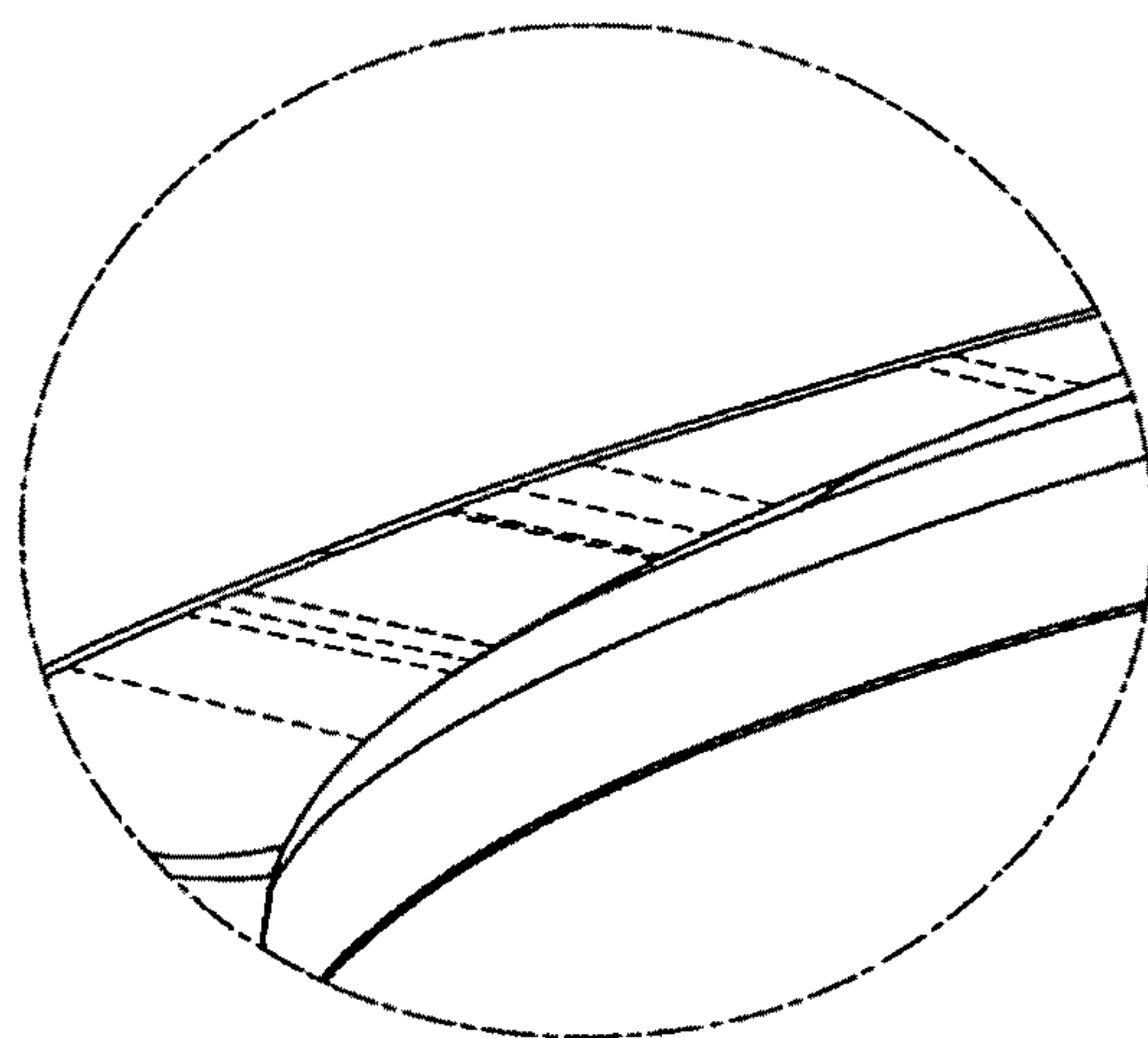


FIG. 9

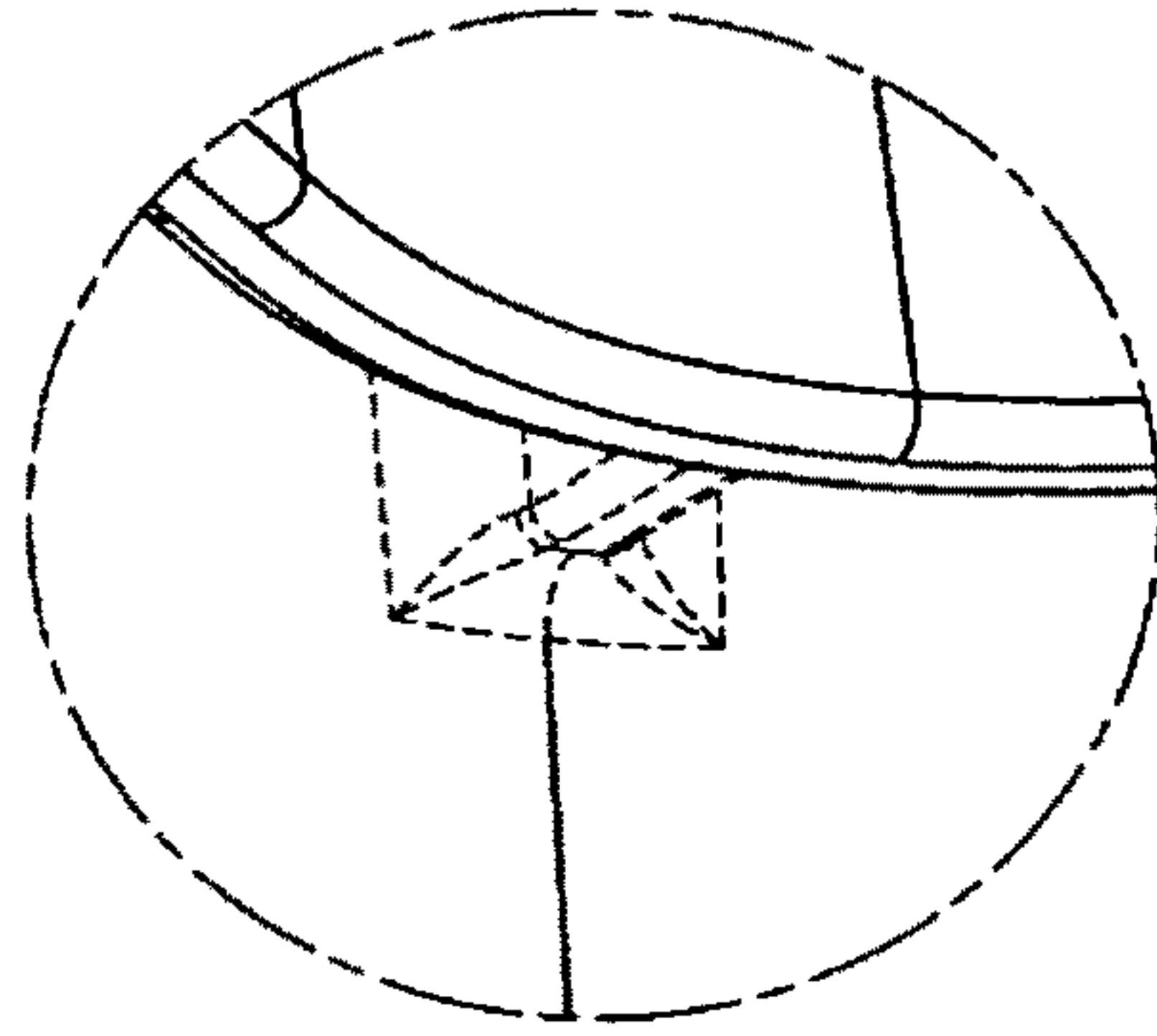


FIG. 10

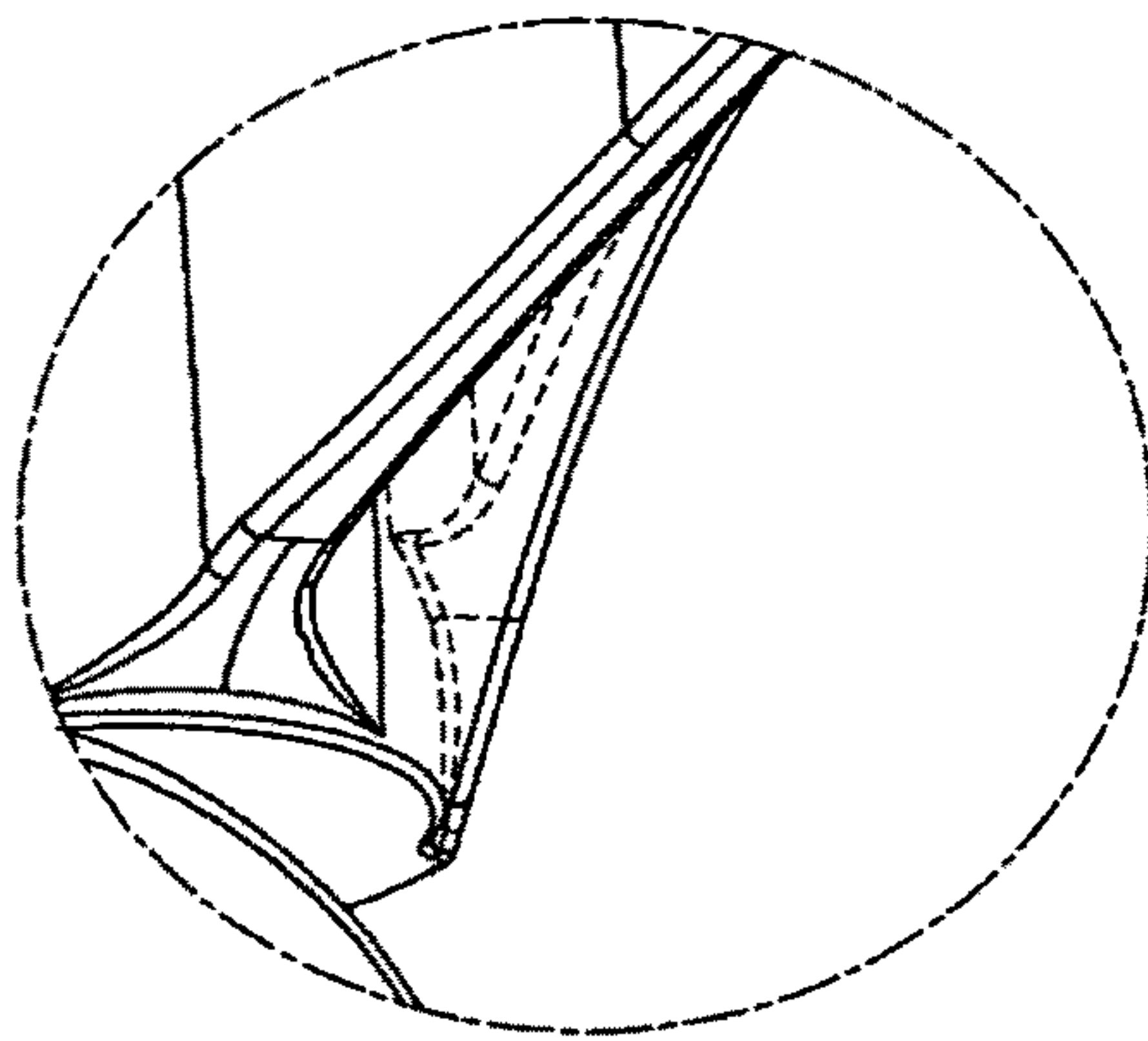


FIG. 11