



US00D755529S

(12) **United States Design Patent**
Schlang

(10) **Patent No.:** **US D755,529 S**
(45) **Date of Patent:** **** May 10, 2016**

- (54) **HANGER ADAPTER**
- (71) Applicant: **Richard Jay Schlang**, Battle Ground, WA (US)
- (72) Inventor: **Richard Jay Schlang**, Battle Ground, WA (US)
- (73) Assignee: **VIRTUALREP INCORPORATED**, Battleground, WA (US)
- (**) Term: **14 Years**
- (21) Appl. No.: **29/500,585**
- (22) Filed: **Aug. 26, 2014**
- (51) **LOC (10) Cl.** **06-08**
- (52) **U.S. Cl.**
USPC **D6/328; D8/367**
- (58) **Field of Classification Search**
USPC D6/315-328; 223/85-98; 211/1, 10, 211/13.1, 85.3, 87.01, 113; 248/322, 339, 248/340, 692; D8/367
CPC A47G 25/32; A47G 25/28; A47G 25/442; A47G 25/20; A47G 25/24; A47G 25/1421; A47G 25/1428; A47G 25/06; A47G 25/52; A47G 25/38; A47G 25/50; A47G 25/183; A47G 25/70; A47G 25/0607; A47G 2025/448; A47G 25/1414; A47G 25/0678; A47G 25/44; A47F 7/19; A47F 5/01; A47F 5/13
See application file for complete search history.

3,949,914	A *	4/1976	Ostroll	A47G 25/1414
				223/85
D375,889	S *	11/1996	Miller	D8/367
5,799,769	A	9/1998	Heer et al.	
D409,899	S *	5/1999	Schrader	D8/367
D439,141	S *	3/2001	Ho	D8/367
D458,831	S *	6/2002	Selby	D8/367
D503,287	S *	3/2005	Gouldson	D6/328
7,703,735	B2 *	4/2010	Fryer	A47F 5/0006
				24/372

OTHER PUBLICATIONS

Flickr post (submitted herewith as NPL_Flickr.pdf) at <https://www.flickr.com/photos/rbrome/3177558579/> Post indicates picture taken on Jan. 7, 2009.

Lifehacker post (submitted herewith as NPL_lifehacker.pdf) at <http://www.lifehacker.com.au/2011/05/ask-lh-how-can-i-make-anti-theft-coat-hangers-more-useful/> Post indicates publication on May 23, 2011.

* cited by examiner

Primary Examiner — Derrick Holland
Assistant Examiner — Lauren Calve
 (74) *Attorney, Agent, or Firm* — Underwood & Associates, LLC

(57) **CLAIM**

The ornamental design for a hanger adapter, as shown and described.

DESCRIPTION

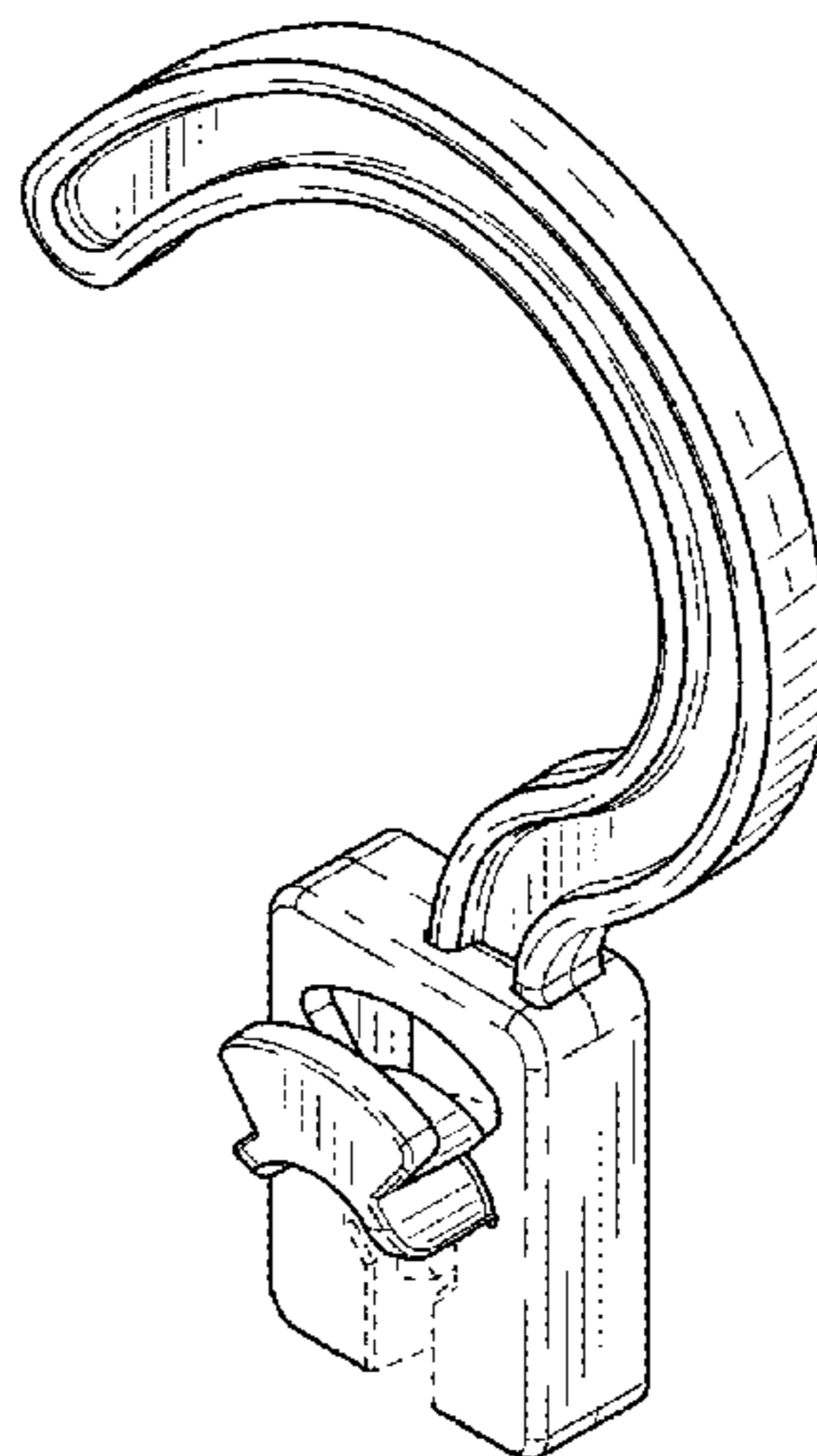
FIG. 1 is a perspective view of a hanger adapter showing my new design;
 FIG. 2 is a front elevation view thereof;
 FIG. 3 is a rear elevation view thereof;
 FIG. 4 is a left-side elevation view thereof;
 FIG. 5 is a right-side elevation view thereof;
 FIG. 6 is a top plan view thereof; and,
 FIG. 7 is a bottom plan view thereof.
 The broken lines shown represent unclaimed subject matter and form no part of the claimed design.

1 Claim, 2 Drawing Sheets

(56) **References Cited**

U.S. PATENT DOCUMENTS

3,270,892	A *	9/1966	Dennis	A47G 25/1442
				211/113
3,310,272	A *	3/1967	Brunger	A47F 5/0006
				211/113
3,327,913	A *	6/1967	Hanson	A47G 25/28
				223/95



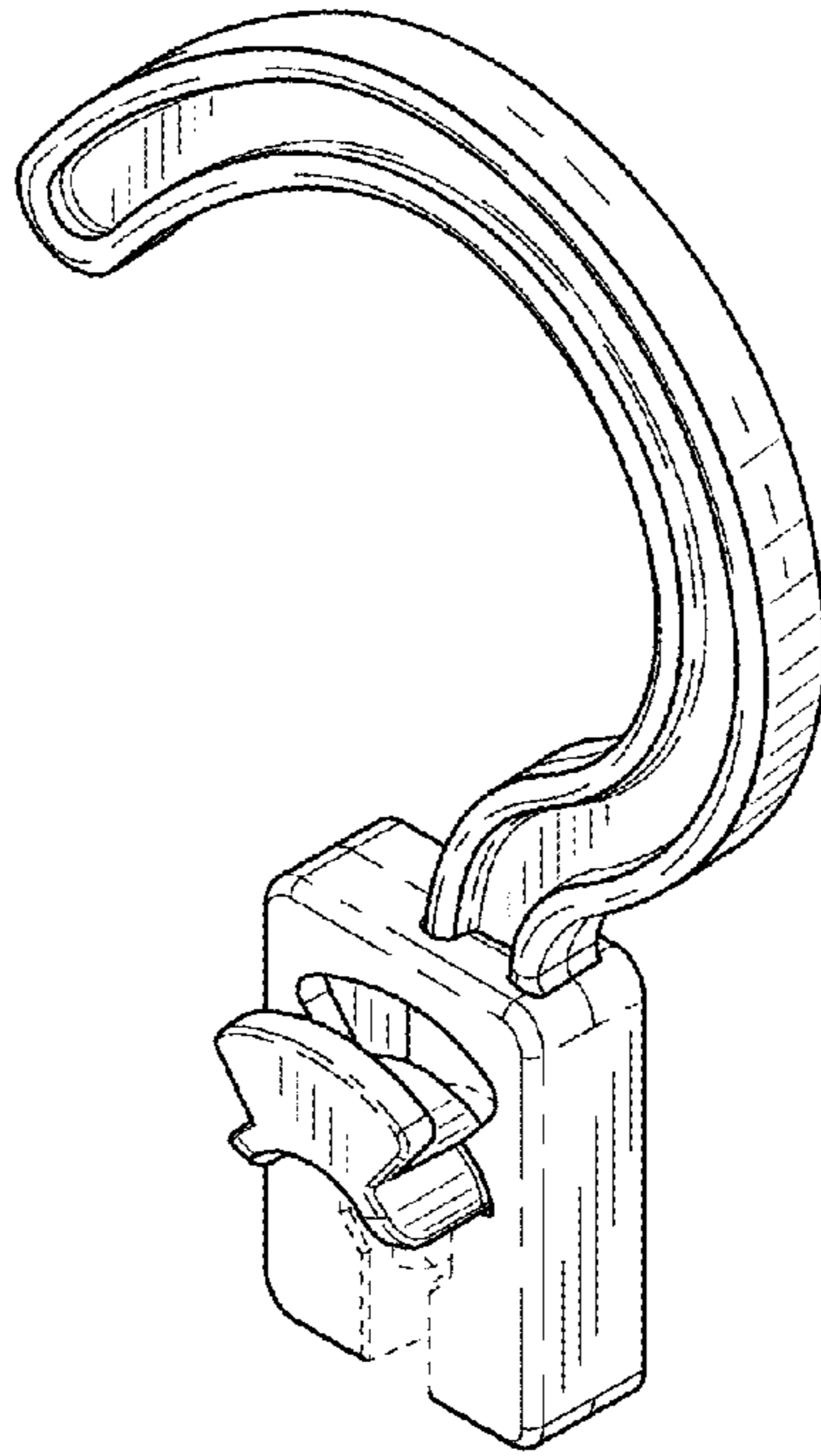


FIG. 1

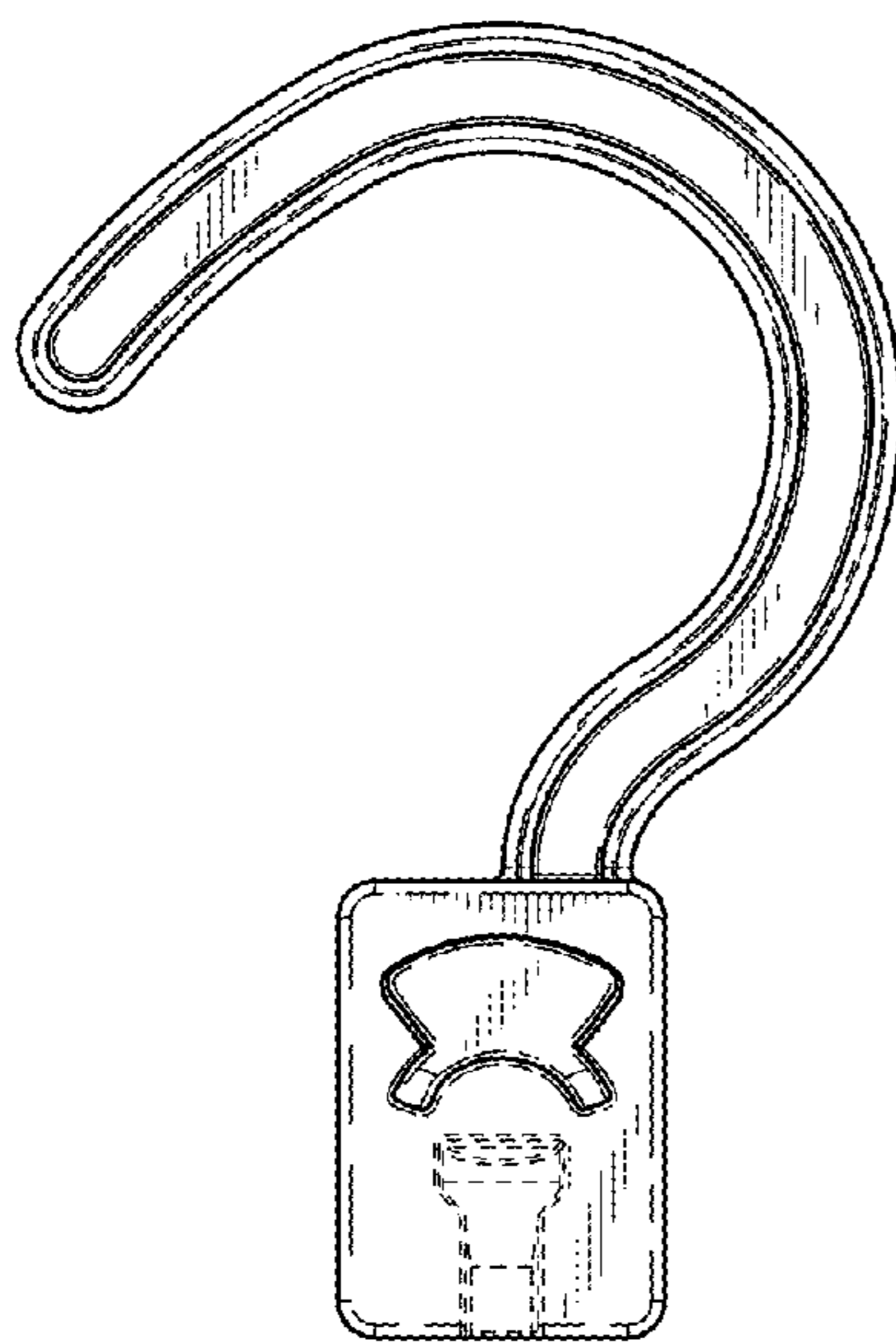


FIG. 2

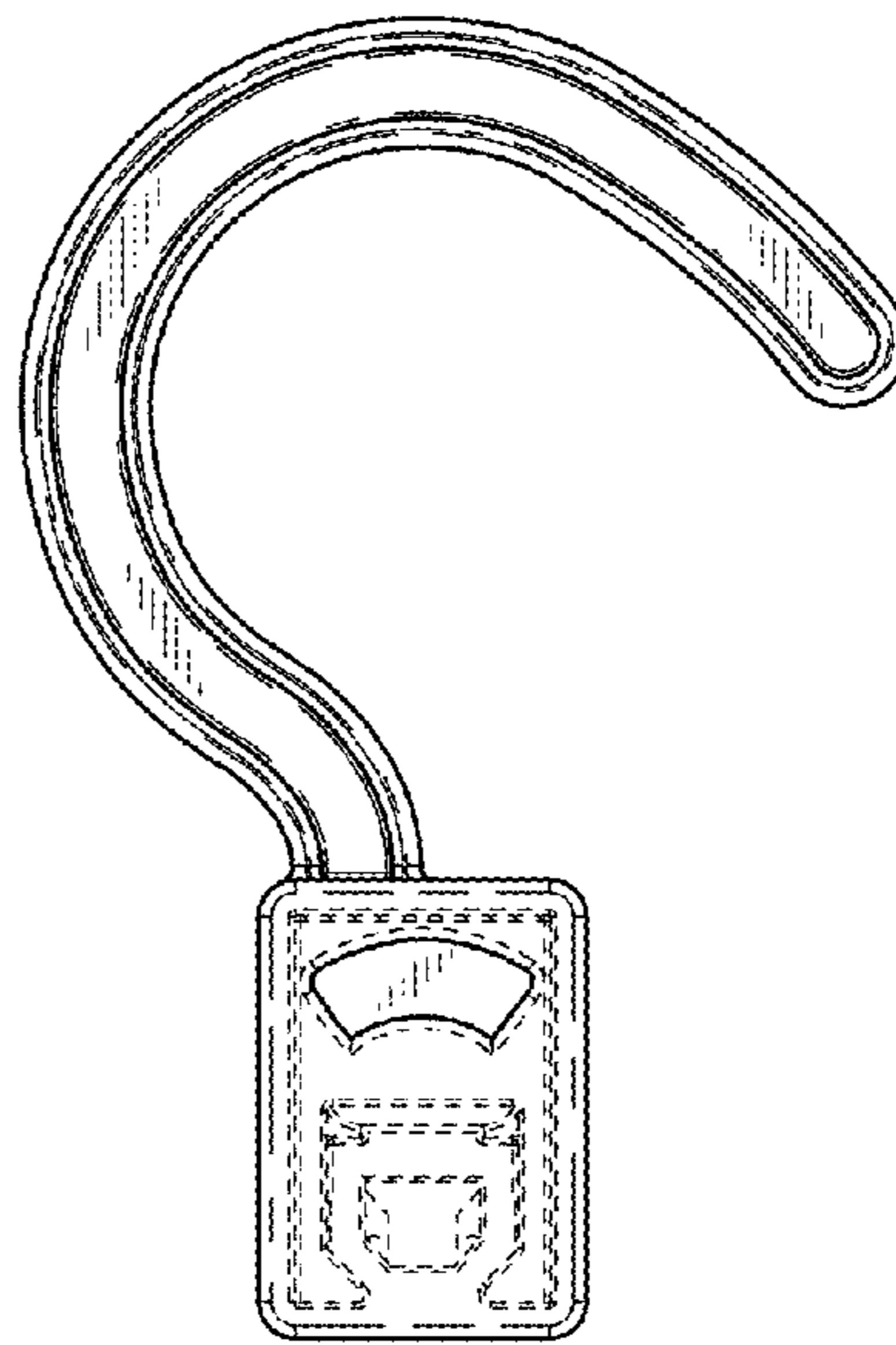


FIG. 3

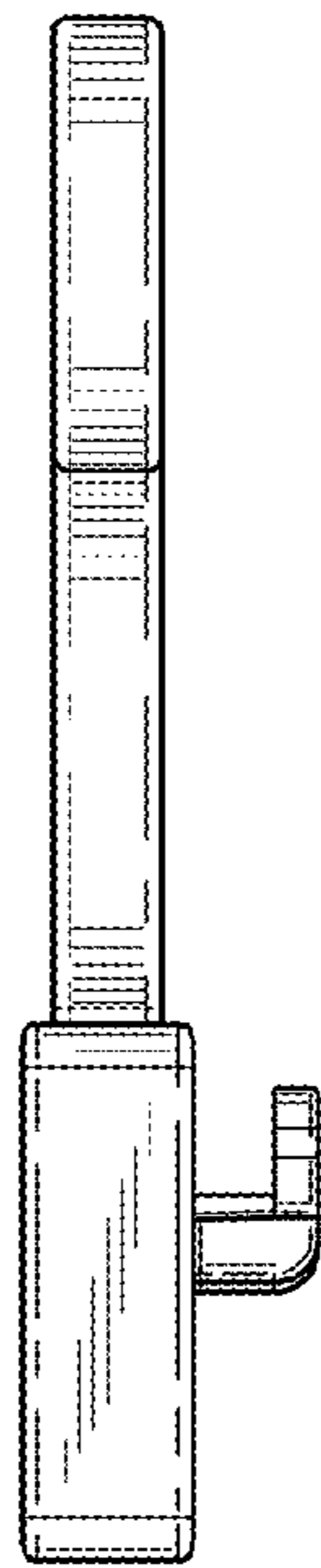


FIG. 4

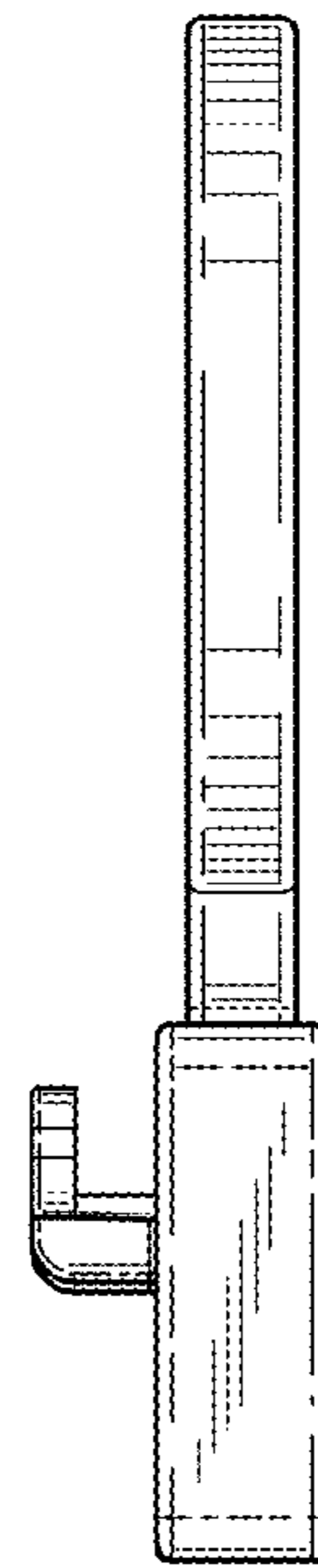


FIG. 5

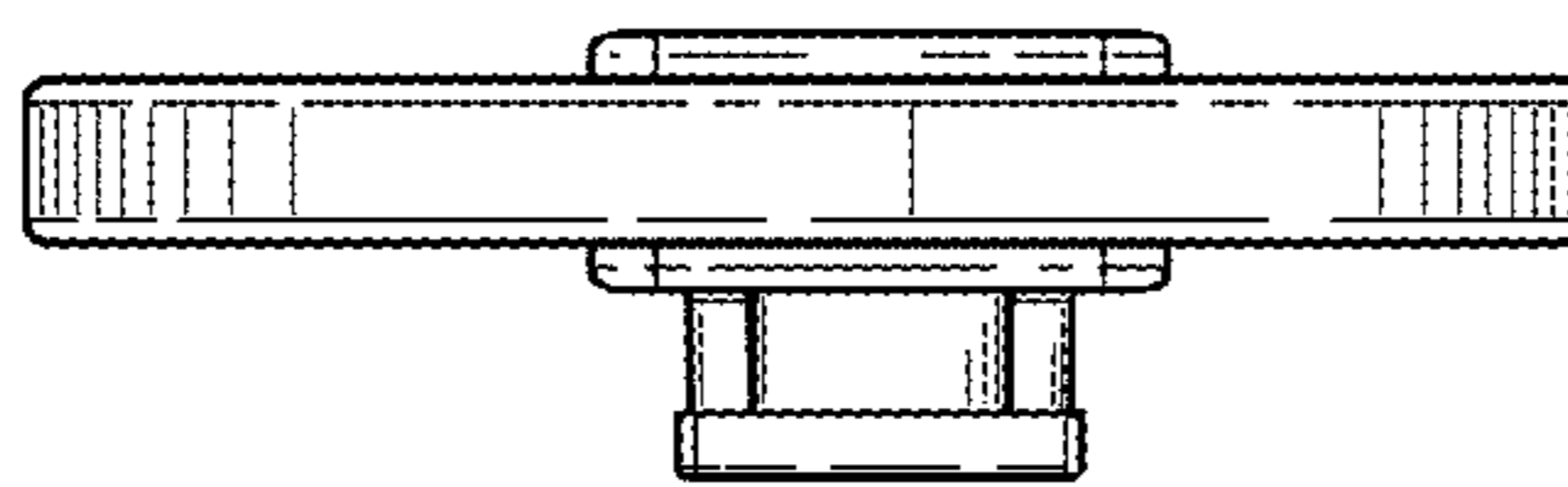


FIG. 6

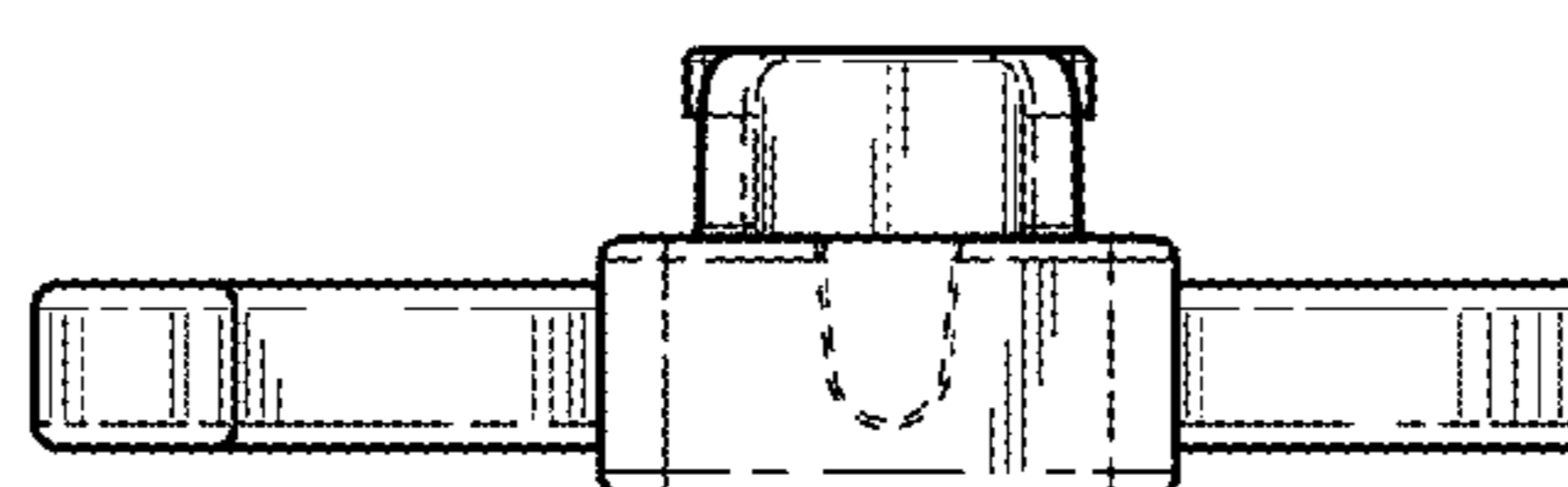


FIG. 7