



US00D755527S

(12) **United States Design Patent**  
**Gulamani**

(10) **Patent No.:** **US D755,527 S**

(45) **Date of Patent:** **\*\* May 10, 2016**

(54) **SET OF BRISTLES FOR A BRUSH**

(71) Applicant: **AG Global Products, LLC**, Sherman  
Oaks, CA (US)

(72) Inventor: **Shauky Gulamani**, Encino, CA (US)

(\*\*) Term: **14 Years**

(21) Appl. No.: **29/498,594**

(22) Filed: **Aug. 5, 2014**

(51) **LOC (10) Cl.** ..... **04-02**

(52) **U.S. Cl.**  
USPC ..... **D4/133**

(58) **Field of Classification Search**  
USPC ..... D4/104–113, 116–117, 121, 123,  
D4/130–138; 15/106, 110, 111, 143.1,  
15/144.1, 159.1, 160, 167.1, 167.2, 172,  
15/176.1, 184, 186–188, 201, 203;  
132/119–121, 123, 137, 142, 151, 271,  
132/308, 309, 311, 313; D24/147, 152, 154  
CPC ..... A46B 2200/104; A46B 2200/1093;  
A46B 9/023; A46B 9/06; A46B 17/04;  
A46B 5/00; A46B 5/0029; A46B 5/0033;  
A46B 5/02; A46B 7/023; A46B 7/042;  
A46B 3/005; A46B 13/001; A46D 1/0207;  
A46D 1/00; A46D 1/0284

See application file for complete search history.

(56) **References Cited**

U.S. PATENT DOCUMENTS

D432,792	S	*	10/2000	Sivan	.....	D4/133
D505,791	S	*	6/2005	Chang	.....	D4/138
D627,976	S	*	11/2010	Magallanes Orozco	.....	D4/138
D645,664	S	*	9/2011	Pires	.....	D4/133
D650,942	S	*	12/2011	Choi	.....	D28/35
D670,027	S	*	10/2012	Choi	.....	D28/35
D698,994	S	*	2/2014	Xu	.....	D28/35
2004/0025897	A1	*	2/2004	Menaged	.....	A46B 5/0054 15/144.1
2012/0247501	A1	*	10/2012	Choi	.....	A45D 1/04 132/269

\* cited by examiner

*Primary Examiner* — Cynthia Ramirez  
*Assistant Examiner* — Llorellys Martinez-Rivera  
(74) *Attorney, Agent, or Firm* — Buchalter Nemer

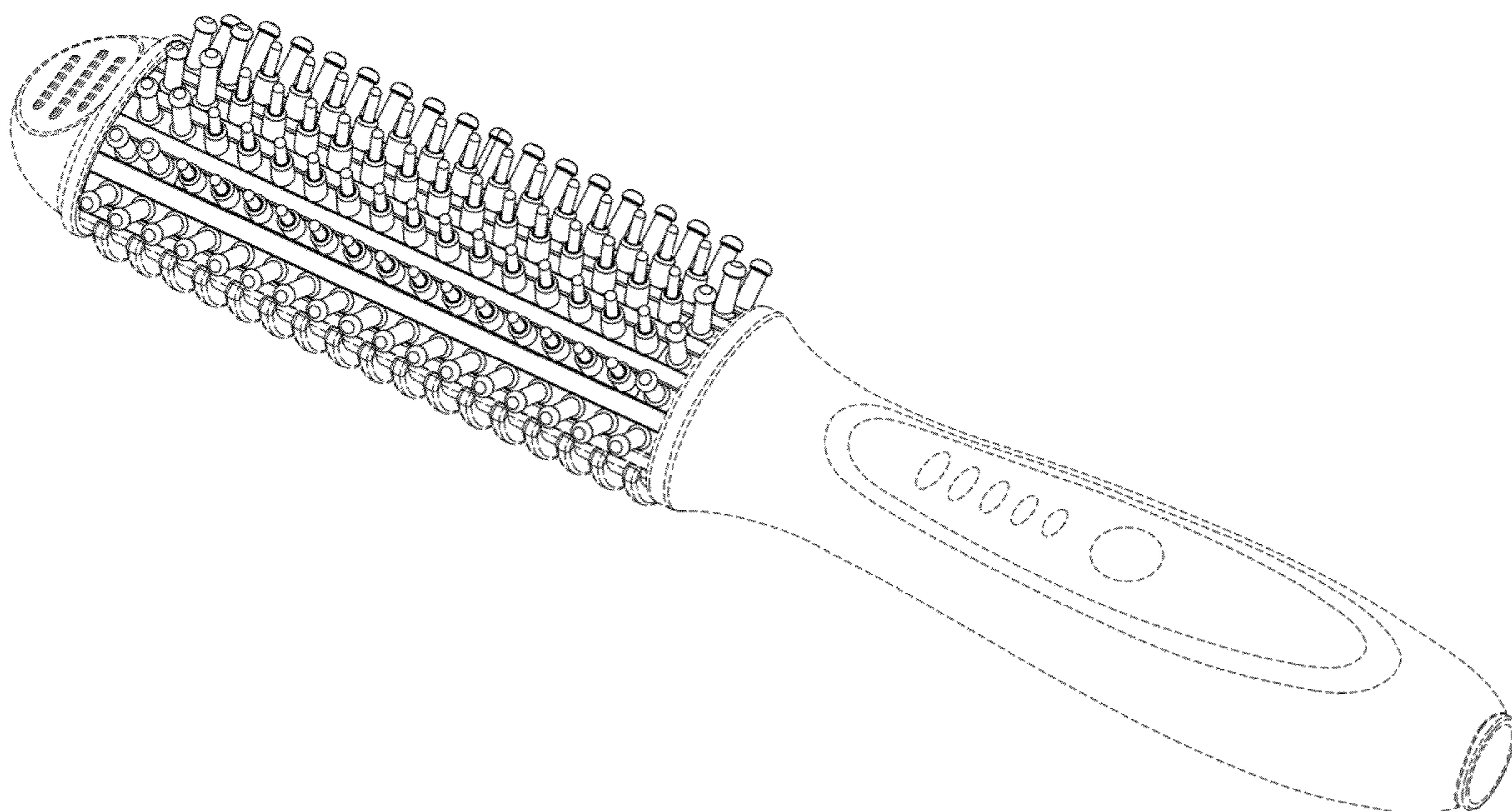
(57) **CLAIM**

The ornamental design for a set of bristles for a brush, as shown and described.

**DESCRIPTION**

FIG. 1 is a front, left and bottom perspective view of a set of bristles for a brush showing my new design; FIG. 2 is a left side elevation view thereof; FIG. 3 is a right side elevation view thereof; FIG. 4 is a front elevation view thereof; FIG. 5 is a rear elevation view thereof; FIG. 6 is a top plan view thereof; and, FIG. 7 is a bottom plan elevation view thereof. The broken lines shown in FIGS. 1 through 7 illustrate environmental subject matter and form no part of the claimed design.

**1 Claim, 3 Drawing Sheets**



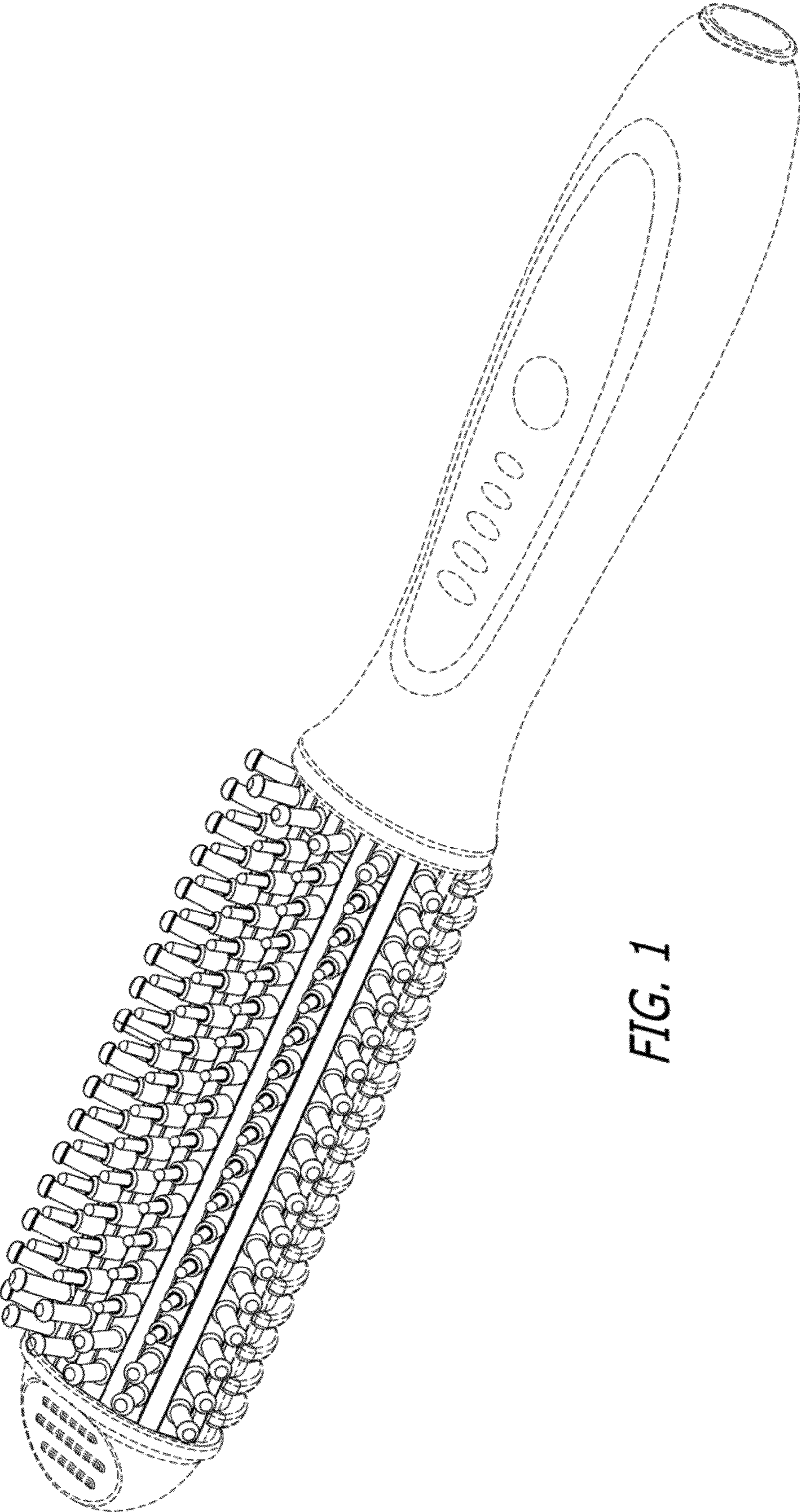


FIG. 1

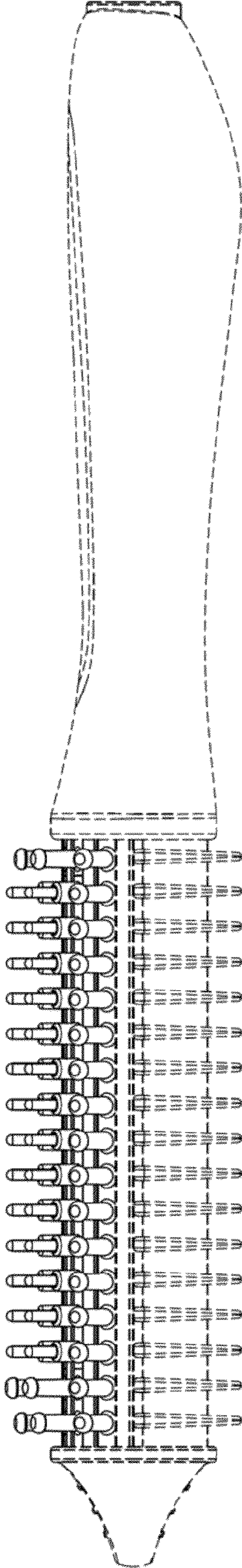


FIG. 2

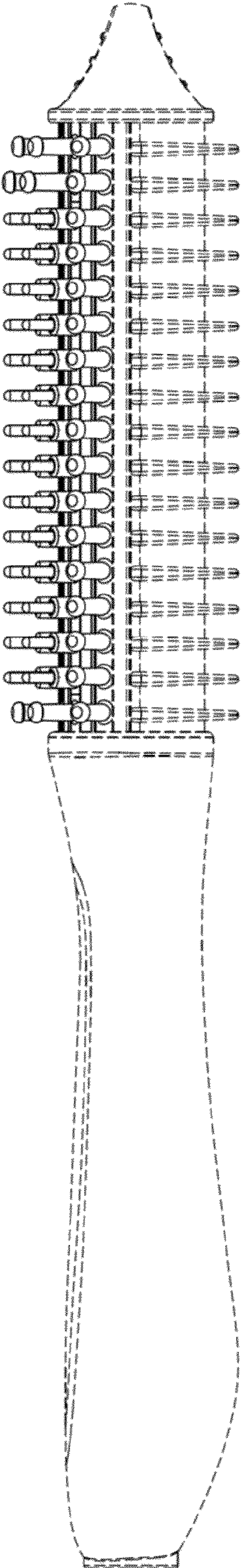


FIG. 3

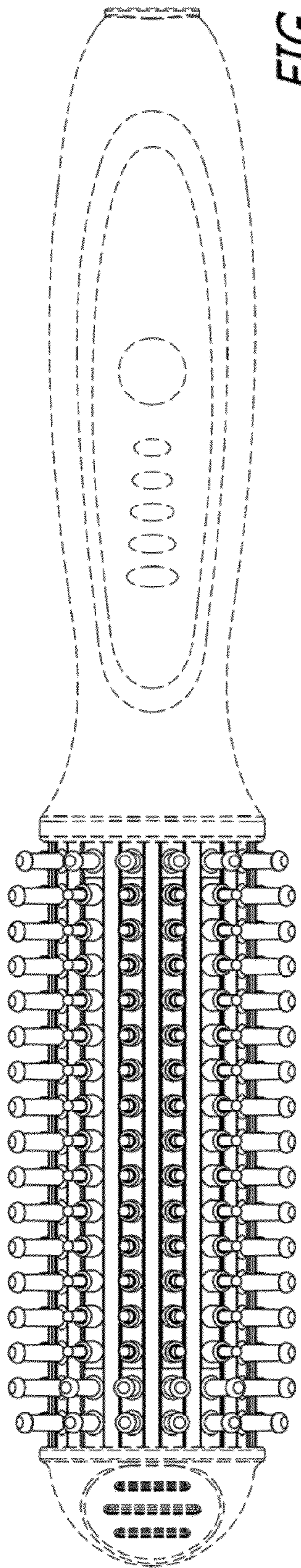


FIG. 4

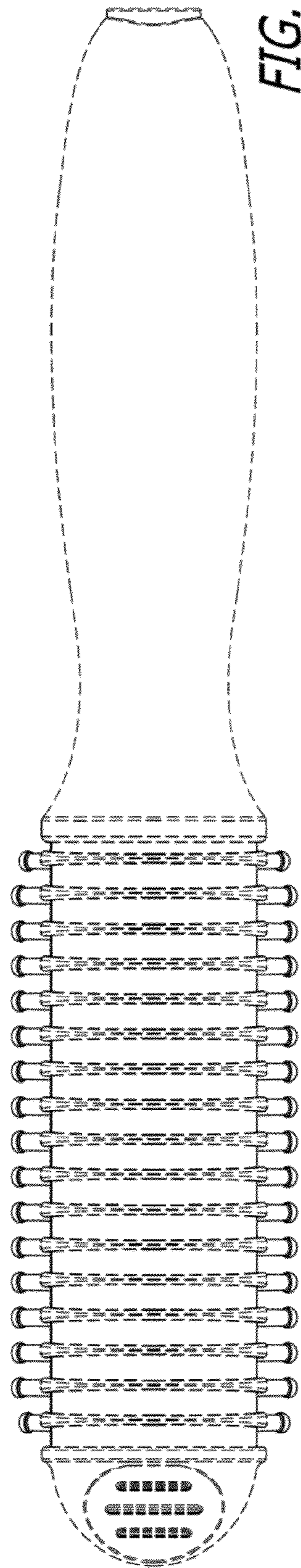


FIG. 5

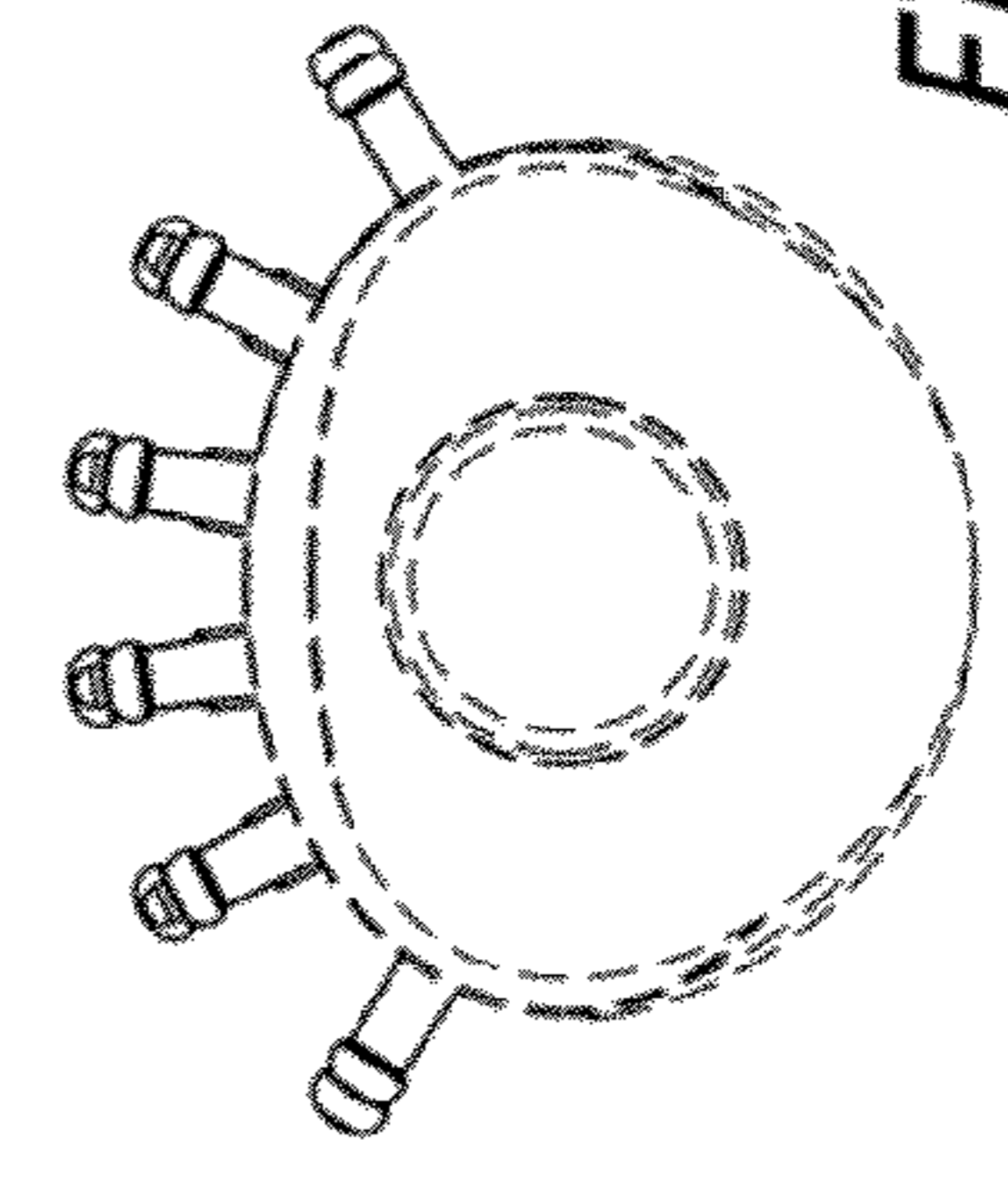


FIG. 7

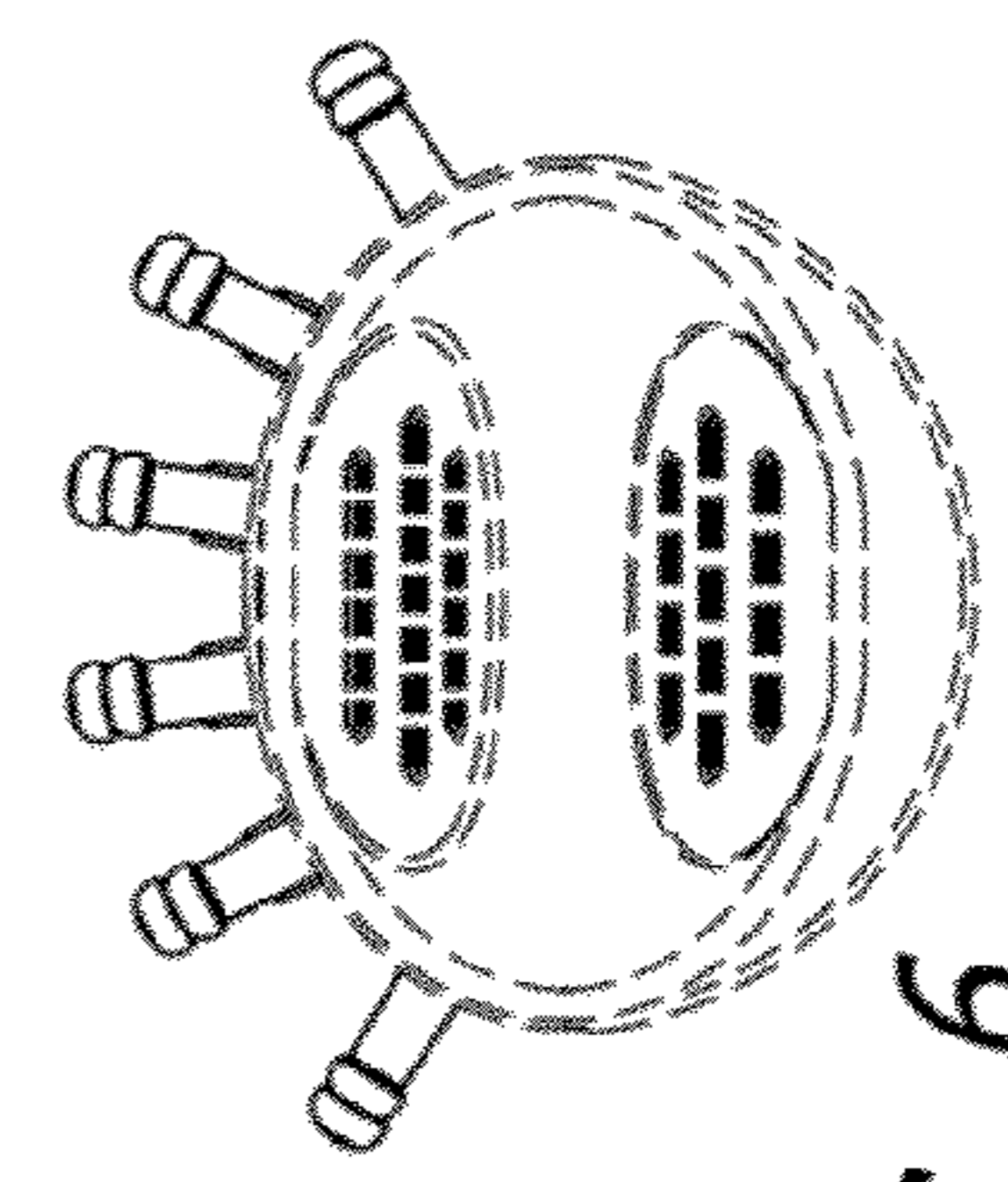


FIG. 6