



US00D75525S

(12) **United States Design Patent**  
**Ward**

(10) **Patent No.:** **US D755,525 S**  
(45) **Date of Patent:** **\*\* May 10, 2016**

- (54) **SHAVING BRUSH**
- (71) Applicant: **Gregory F. Ward**, Sugar Land, TX (US)
- (72) Inventor: **Gregory F. Ward**, Sugar Land, TX (US)
- (\*\*) Term: **14 Years**
- (21) Appl. No.: **29/467,375**
- (22) Filed: **Sep. 18, 2013**
- (51) **LOC (10) Cl.** ..... **04-02**
- (52) **U.S. Cl.**  
USPC ..... **D4/127**
- (58) **Field of Classification Search**  
USPC ..... D4/127, 135; 15/191.1-193, DIG. 5;  
132/289, 290, 313, 317, 320  
CPC ..... A46B 3/00; A46B 3/02; A46B 3/10;  
A46B 3/12; A46B 9/00; A46B 9/021; A46B  
9/028; A46B 2200/1033; A46B 2200/1046;  
A45D 27/04; A45D 40/26; A45D 40/262;  
A45D 2200/109; Y10S 15/05  
See application file for complete search history.

8,104,132 B2 \* 1/2012 Mink ..... A45D 40/262  
15/160  
8,678,693 B2 \* 3/2014 Sturgis ..... A46B 11/001  
401/284

**FOREIGN PATENT DOCUMENTS**

JP 1453027 S \* 10/2012

\* cited by examiner

*Primary Examiner* — Melanie H Tung

*Assistant Examiner* — Lavone D Tabor

(74) *Attorney, Agent, or Firm* — Egbert Law Offices, PLLC

(57) **CLAIM**

The ornamental design for a shaving brush, as shown and described.

**DESCRIPTION**

FIG. 1 is an upper perspective view of the shaving brush showing my new design.

FIG. 2 is a side elevation view thereof, other side elevation views being identical;

FIG. 3 is a top plan view thereof; and,

FIG. 4 is a bottom plan view thereof.

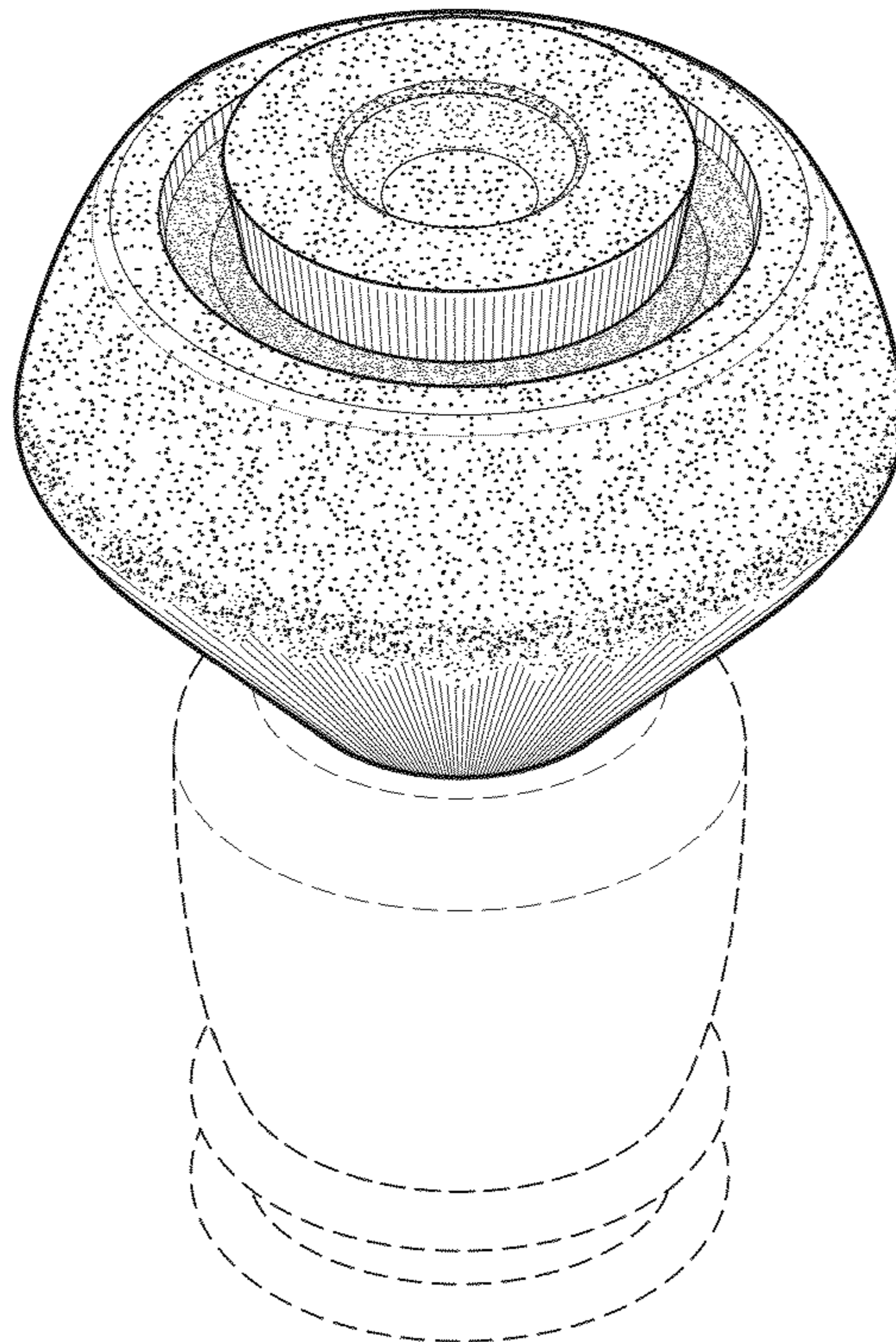
The shaving brush is composed of a plurality of bristles cut to different lengths. The handle portion presented in broken lines is for environmental purposes only and forms no part of the claimed design.

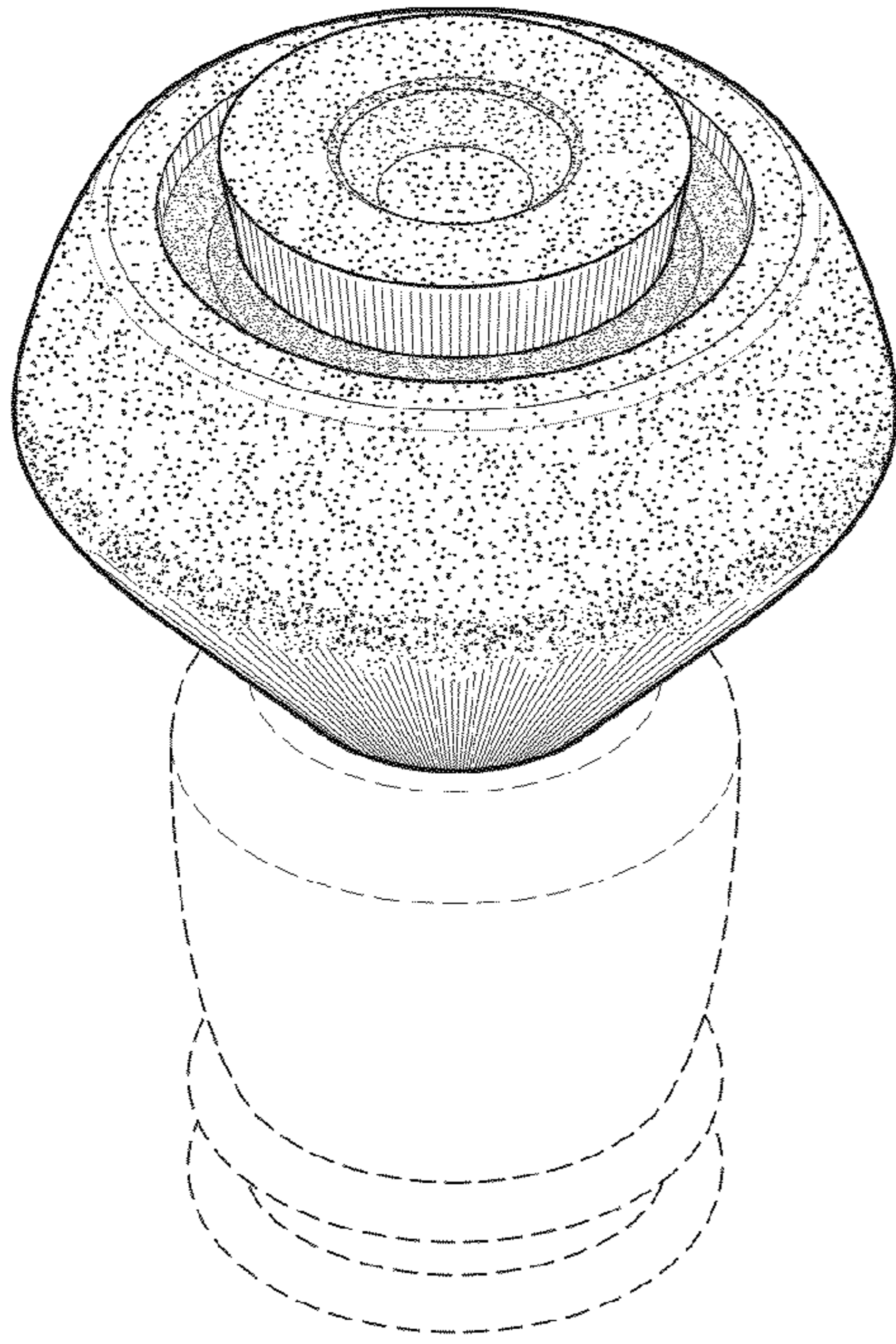
(56) **References Cited**

**U.S. PATENT DOCUMENTS**

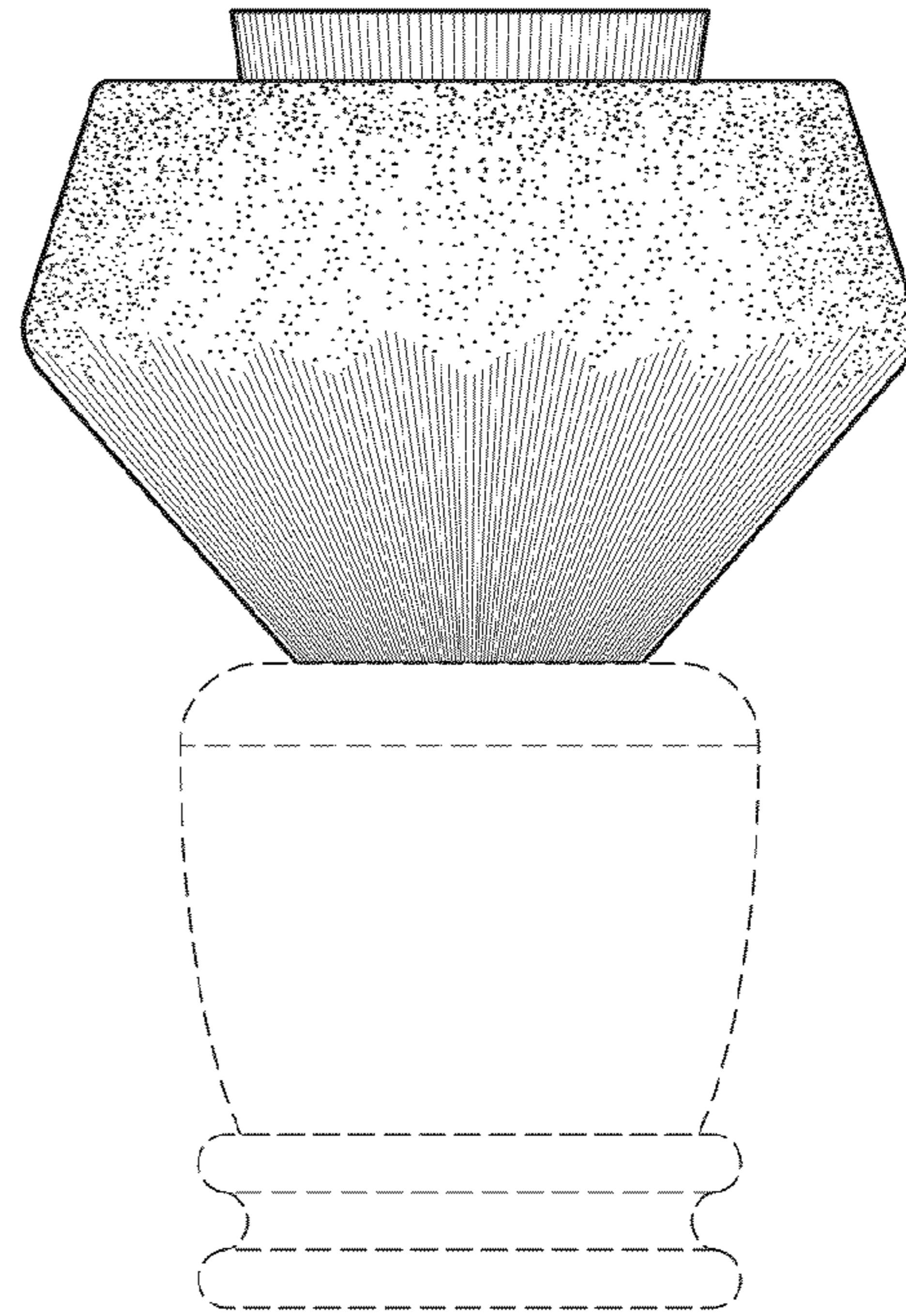
- 4,091,490 A \* 5/1978 Allen ..... A46B 3/00  
15/195
- D485,990 S \* 2/2004 Wallace ..... D4/115
- 7,275,885 B2 \* 10/2007 Byun ..... A45D 33/02  
401/278

**1 Claim, 1 Drawing Sheet**

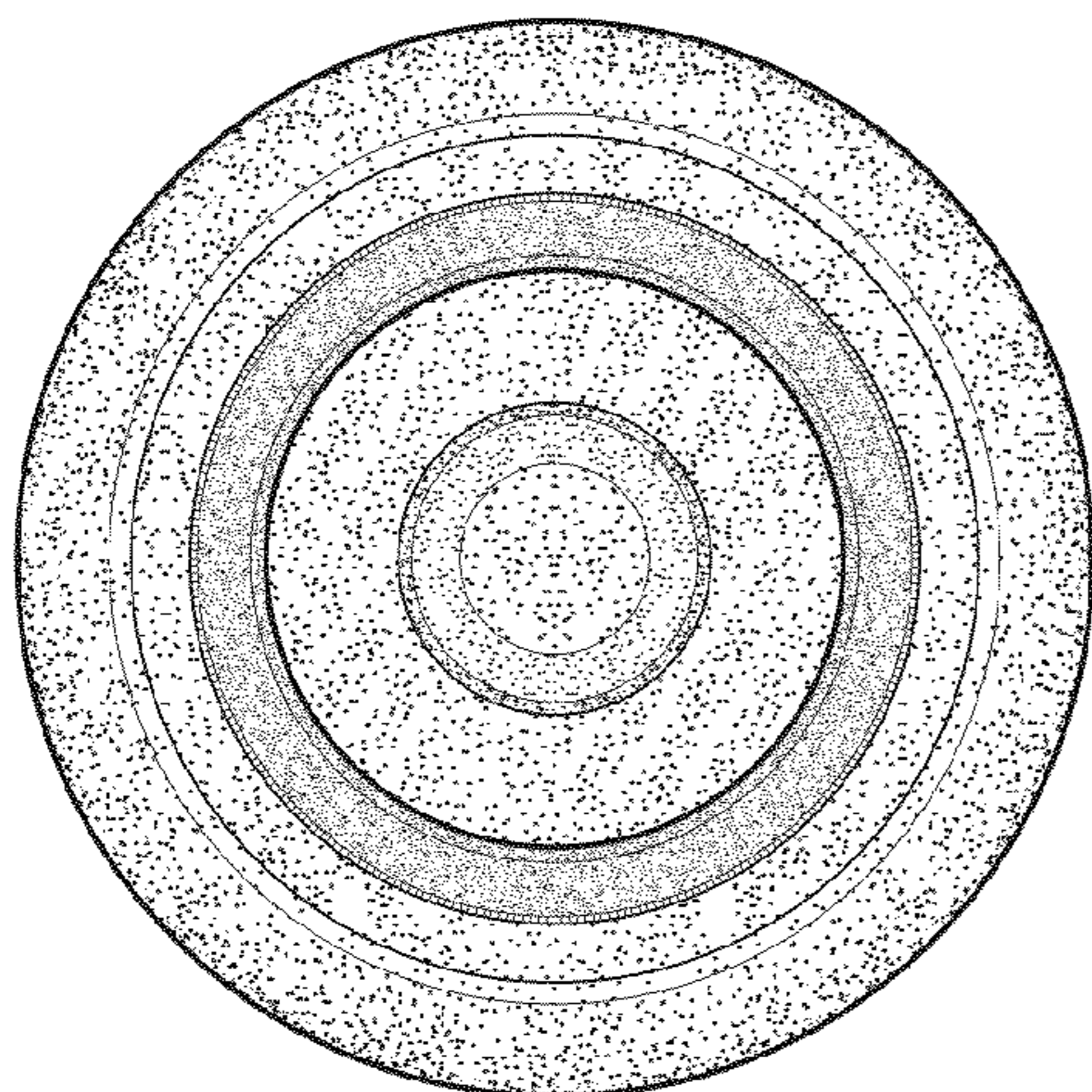




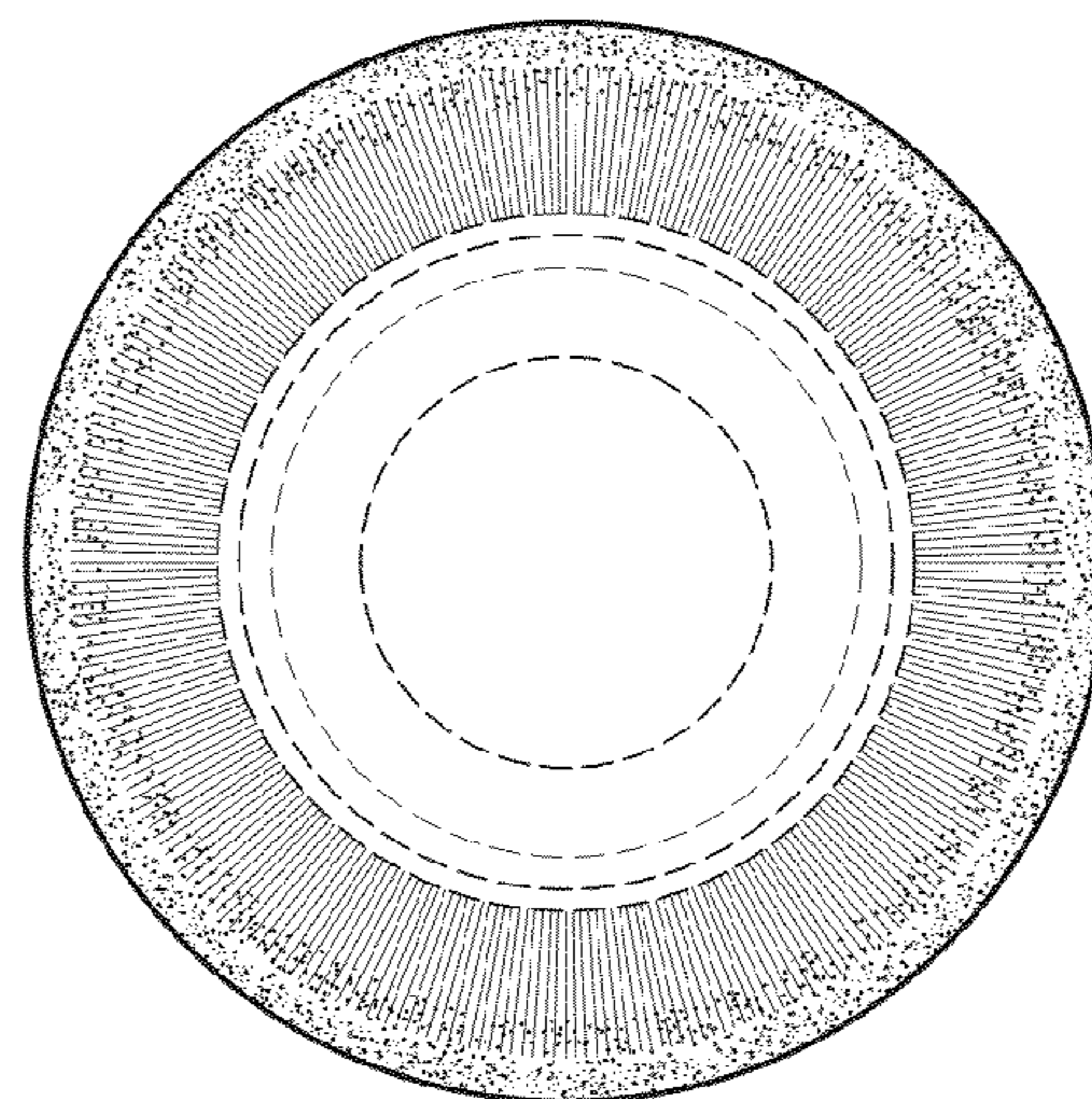
*FIG. 1*



*FIG. 2*



*FIG. 3*



*FIG. 4*