



US00D755524S

(12) **United States Design Patent**  
**Parker**

(10) **Patent No.:** **US D755,524 S**  
(45) **Date of Patent:** **\*\* May 10, 2016**

(54) **LUGGAGE WHEEL FORK**

(71) Applicant: **Samsonite IP Holdings S.ar.l.**,  
Luxembourg (LU)

(72) Inventor: **Garrett K. W. Parker**, Berkley, MA  
(US)

(73) Assignee: **Samsonite IP Holdings S.a r.l.**,  
Luxembourg (LU)

D448,826 S 10/2001 Galy  
6,322,156 B1 11/2001 Kuo  
6,354,412 B1 3/2002 Kuo  
D470,748 S 2/2003 Tsai  
D473,379 S 4/2003 Moon  
D481,931 S 11/2003 Chi  
D482,265 S 11/2003 Wicha  
D484,028 S 12/2003 Moon  
D487,348 S 3/2004 Fenton et al.  
D491,365 S 6/2004 Proot

(Continued)

(\*\*) Term: **14 Years**

FOREIGN PATENT DOCUMENTS

(21) Appl. No.: **29/515,658**

EM 002514364-0002 8/2014

(22) Filed: **Jan. 26, 2015**

*Primary Examiner* — Holly Baynham

(74) *Attorney, Agent, or Firm* — Dorsey & Whitney LLP

**Related U.S. Application Data**

(62) Division of application No. 29/440,204, filed on Dec. 19, 2012, now Pat. No. Des. 721,497.

(51) **LOC (10) Cl.** ..... **03-01**

(52) **U.S. Cl.**

USPC ..... **D3/318; D8/375**

(58) **Field of Classification Search**

USPC ..... **D3/318; D8/375**

CPC ..... **A45C 5/00; A45C 13/00**

See application file for complete search history.

(56) **References Cited**

U.S. PATENT DOCUMENTS

4,084,288 A 4/1978 Black  
D359,676 S 6/1995 Liang  
5,634,538 A 6/1997 Tsai  
D421,338 S 3/2000 Moon  
D433,088 S 10/2000 Galy  
D434,904 S 12/2000 Huang  
6,193,324 B1 2/2001 Chang  
D438,382 S 3/2001 Chang  
D439,410 S 3/2001 Chang  
6,256,835 B1 7/2001 Wang  
D448,278 S 9/2001 Chi

(57) **CLAIM**

The ornamental design for a luggage wheel fork, as shown and described.

**DESCRIPTION**

FIG. 1 shows a front perspective view of a luggage wheel fork;

FIG. 2 shows a front elevation view of the luggage wheel fork of FIG. 1;

FIG. 3 shows a right elevation view of the luggage wheel fork of FIG. 1;

FIG. 4 shows a rear elevation view of the luggage wheel fork of FIG. 1;

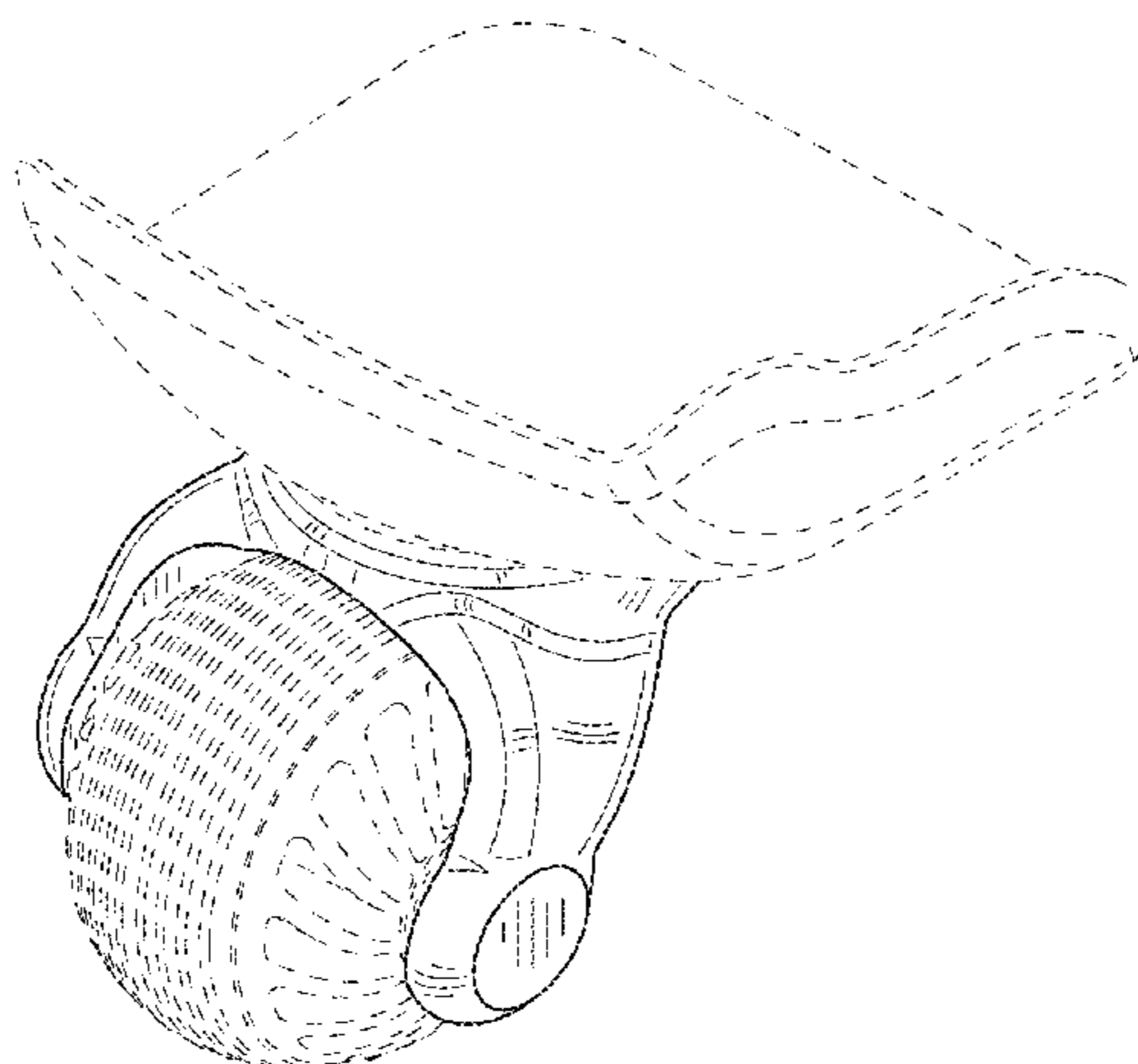
FIG. 5 shows a left elevation view of the luggage wheel fork of FIG. 1;

FIG. 6 shows a top view of the luggage wheel fork of FIG. 1; and,

FIG. 7 shows a bottom view of the luggage wheel fork of FIG. 1.

The broken lines showing the luggage wheel and mounting are for the purposes of illustrating environment and form no part of the claimed design.

**1 Claim, 5 Drawing Sheets**



(56)

**References Cited**

U.S. PATENT DOCUMENTS

D492,894 S	7/2004	Cheng	D582,160 S	12/2008	Sijmons
D496,259 S	9/2004	Cheng	D582,678 S	12/2008	Rekuc
D505,316 S	5/2005	Topel	7,506,404 B2	3/2009	Block et al.
D513,560 S	1/2006	Neumann	D592,490 S	5/2009	Frame
D525,033 S	7/2006	Neumann	D603,163 S	11/2009	Van Himbeeck
D539,543 S	4/2007	Wu	7,832,533 B2	11/2010	Selvi
D541,047 S *	4/2007	Moon ..... D3/318	D633,299 S	3/2011	Moon
D541,048 S	4/2007	Moon	8,020,679 B2	9/2011	Wu
D550,950 S	9/2007	Vanderminden	D659,395 S	5/2012	Sijmons
D557,900 S	12/2007	Sijmons	D703,442 S	4/2014	Parker
D575,512 S	8/2008	Moon	D718,938 S	12/2014	Parker
D575,957 S	9/2008	Sciicluna et al.	D721,497 S	1/2015	Parker
D576,407 S	9/2008	Moon	D721,501 S	1/2015	Parker
7,437,801 B2	10/2008	Dahl	D732,293 S	6/2015	Parker et al.
D581,161 S	11/2008	Tong	D741,599 S	10/2015	Parker
			2014/0041978 A1	2/2014	Chang
			2014/0110204 A1	4/2014	Wu

\* cited by examiner

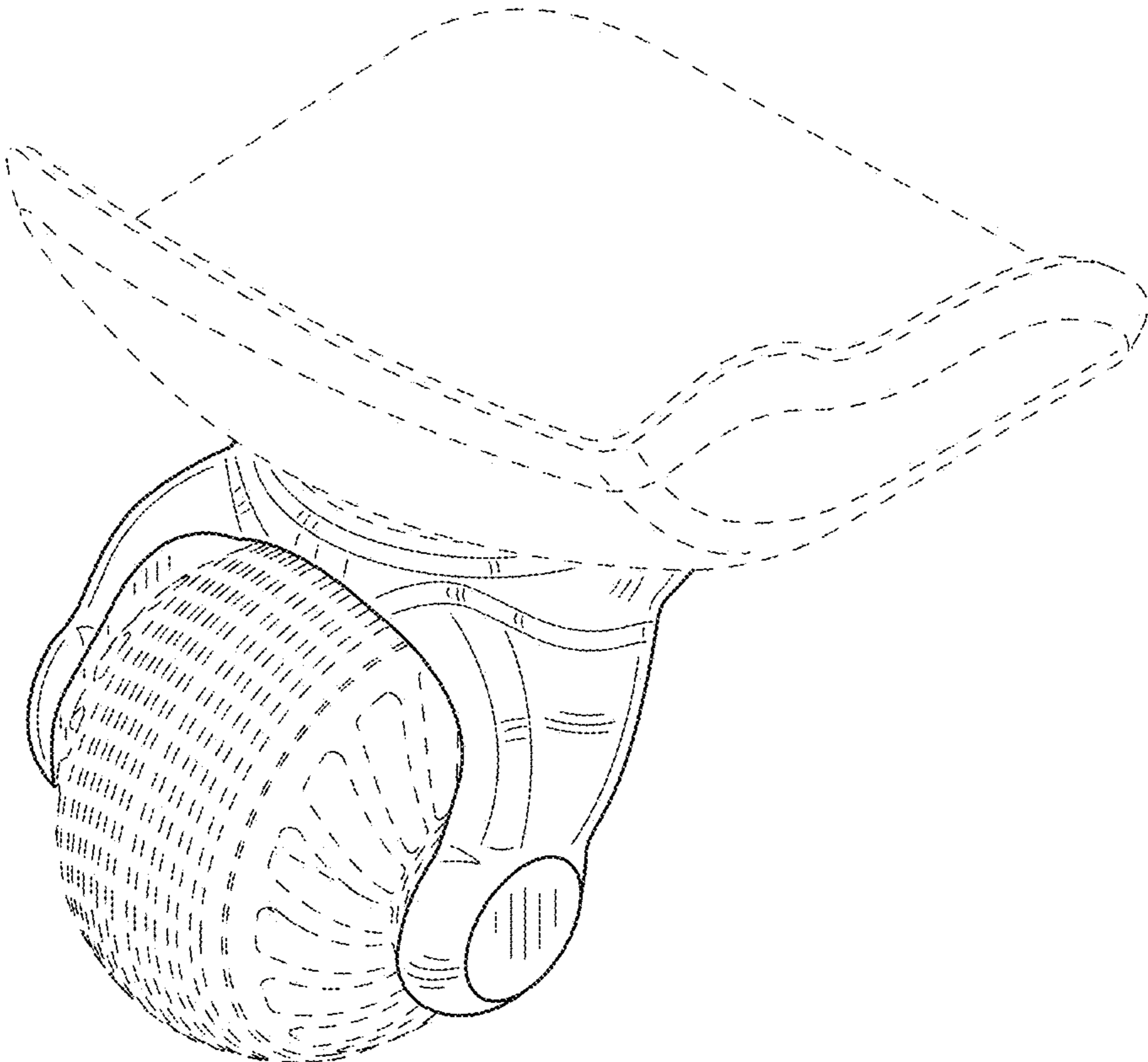


FIG. 1

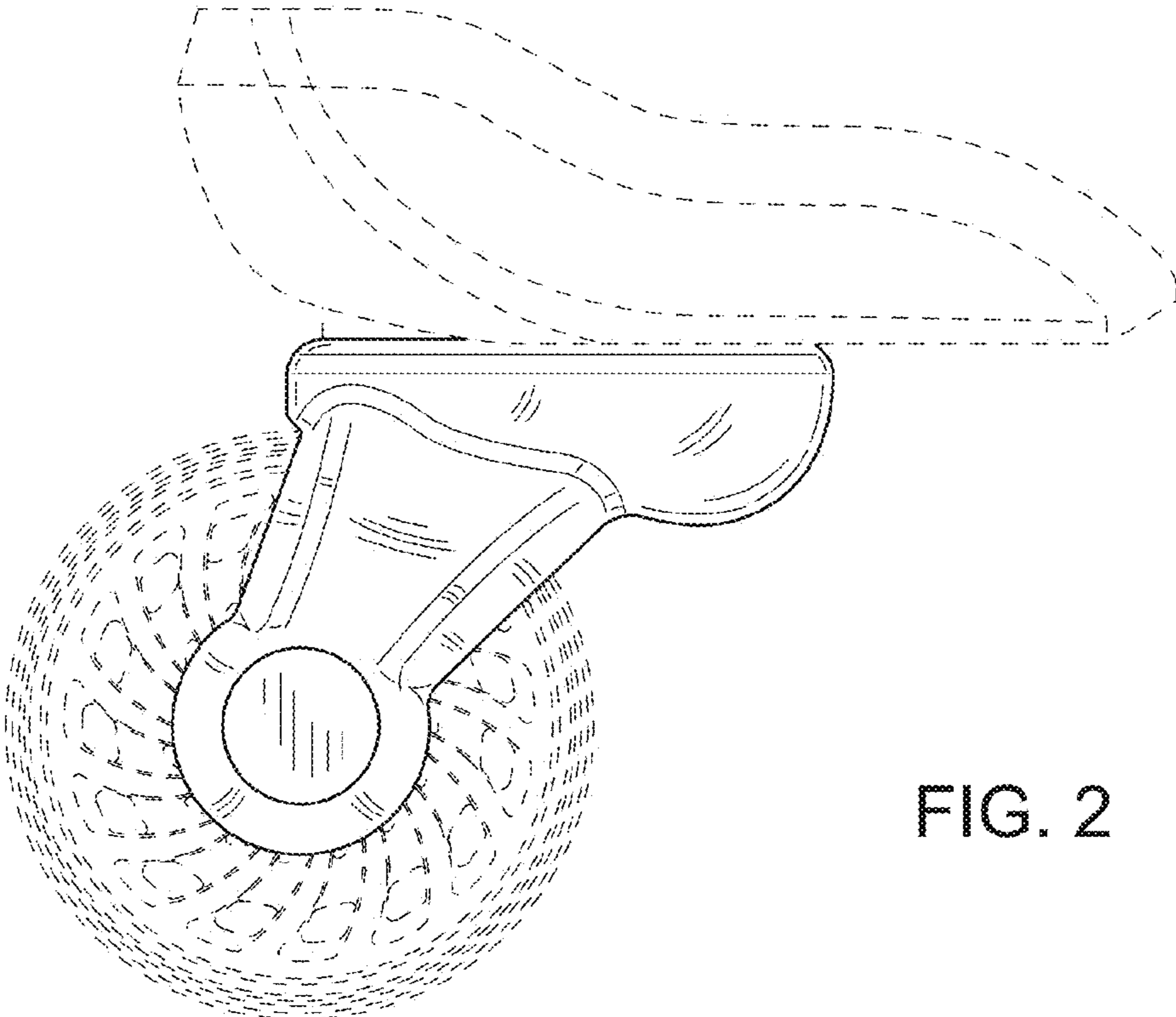


FIG. 2

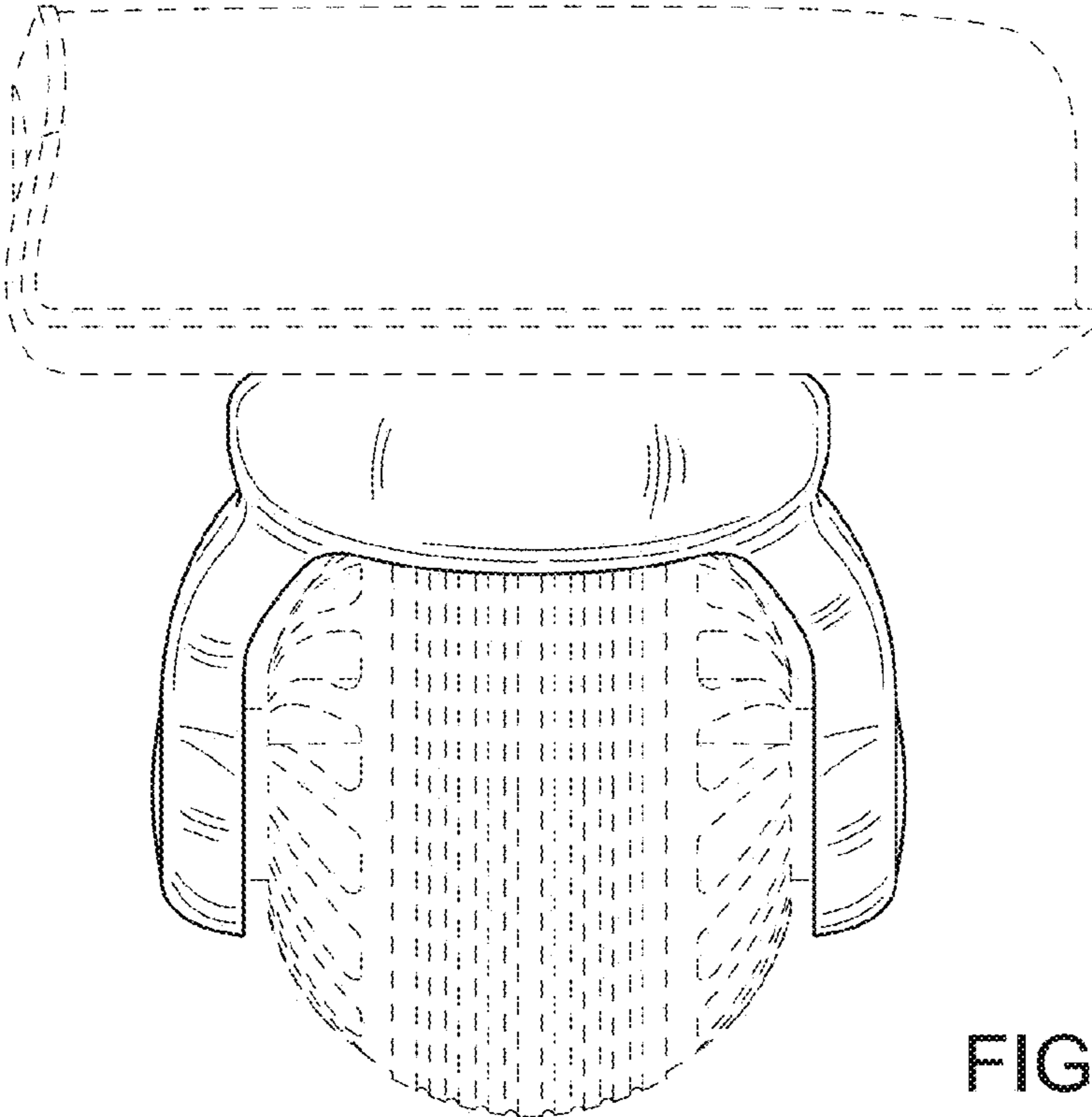


FIG. 3

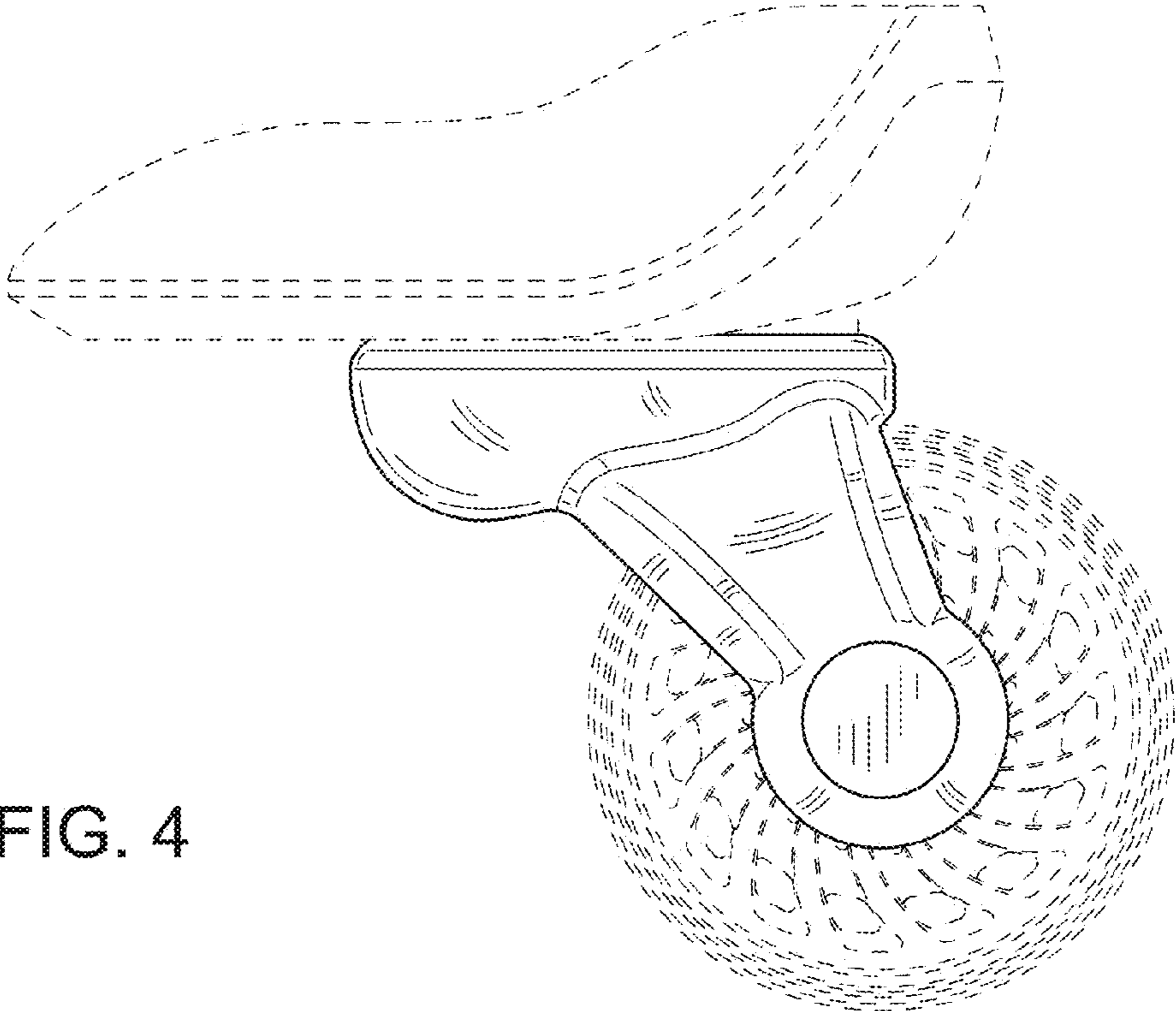


FIG. 4

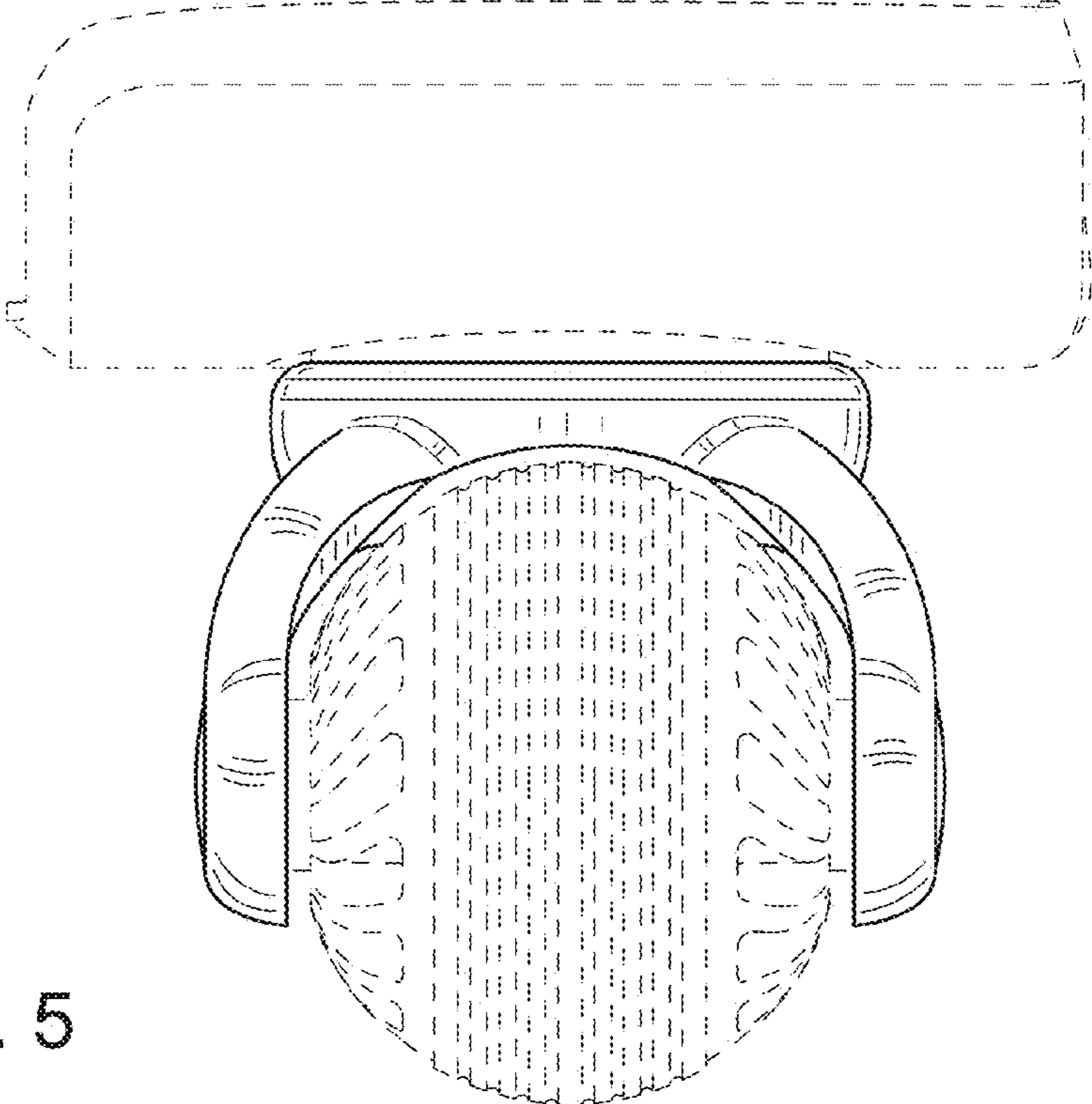


FIG. 5

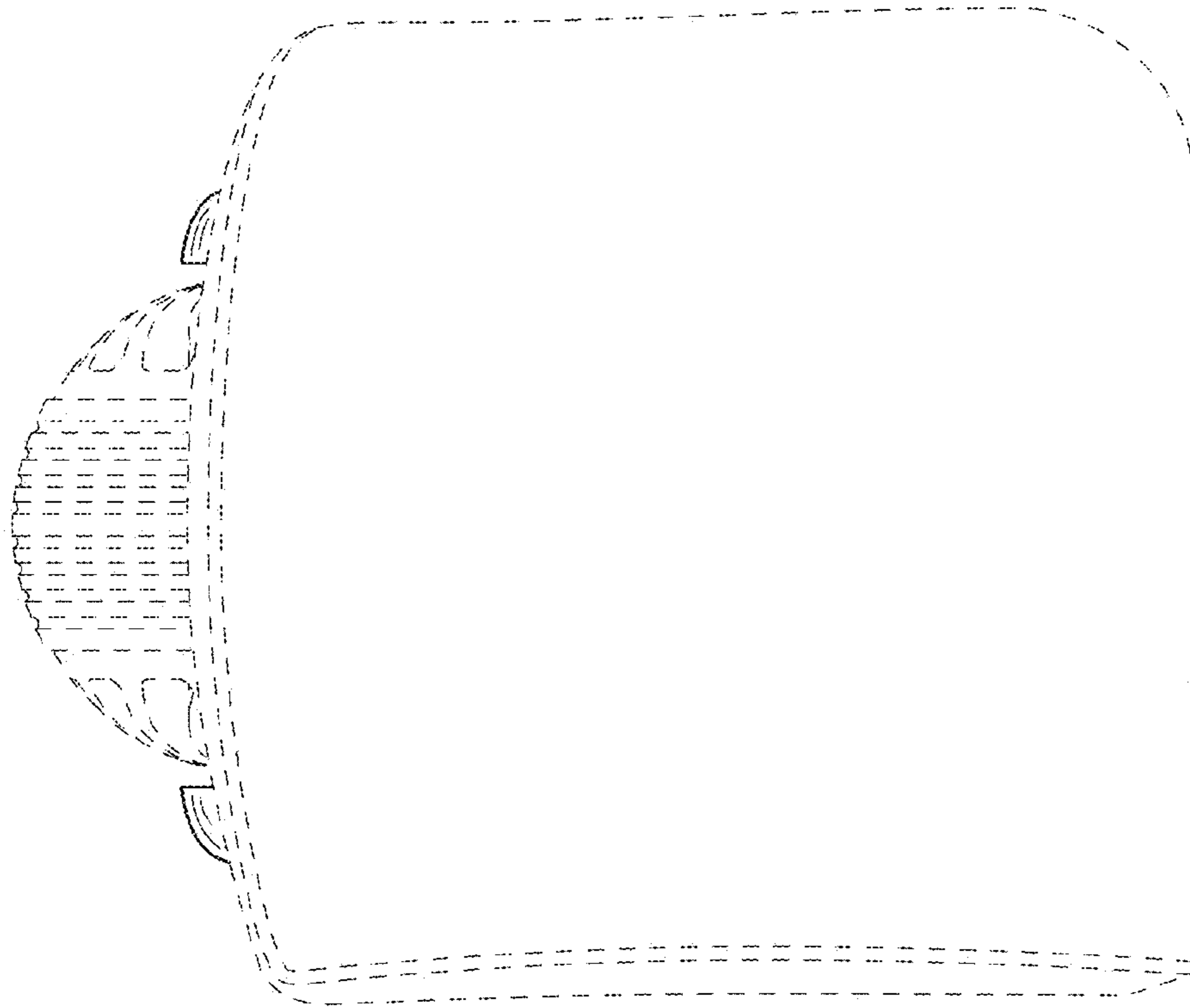


FIG. 6

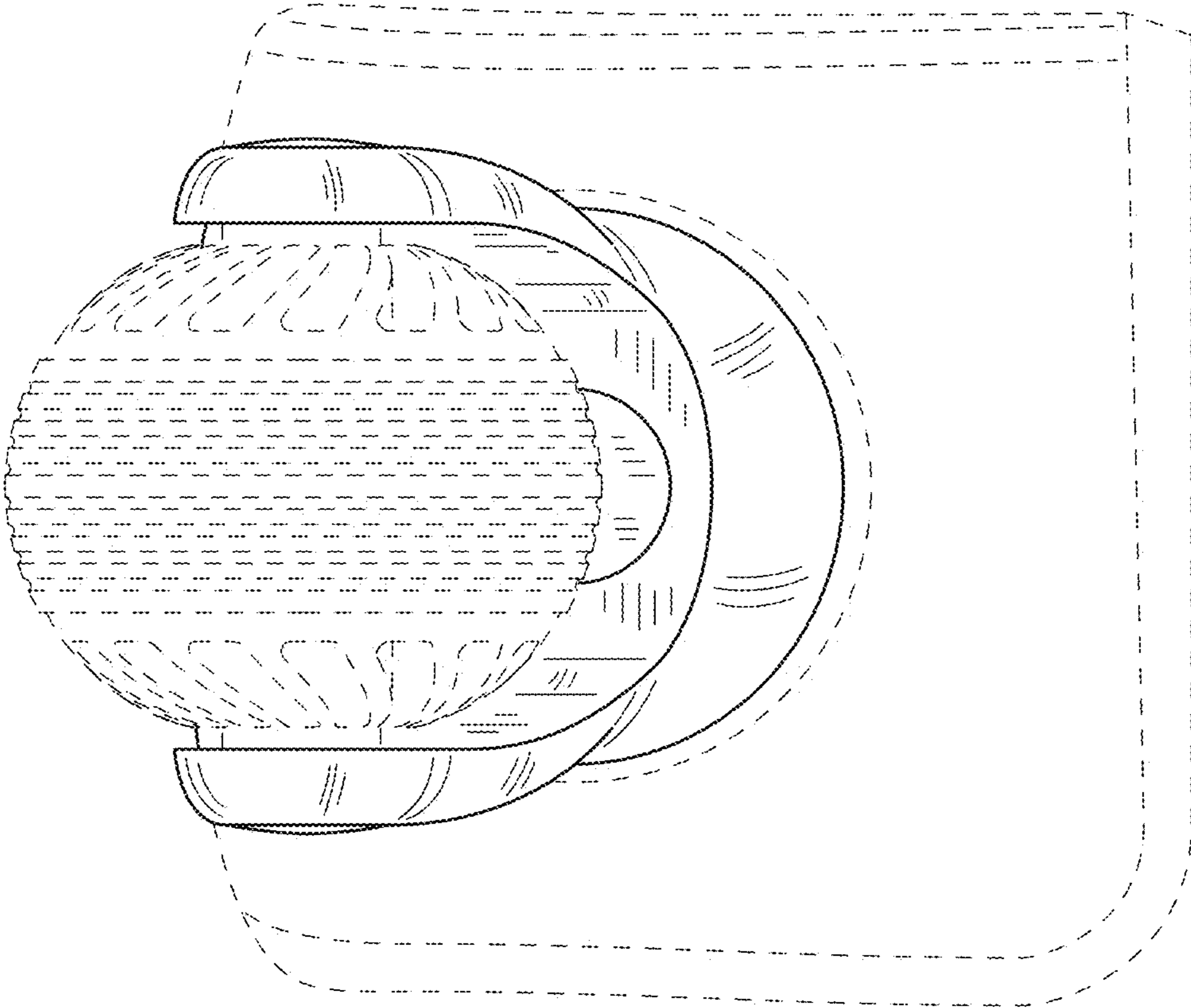


FIG. 7