



US00D755520S

(12) **United States Design Patent**  
**Alves et al.**

(10) **Patent No.:** **US D755,520 S**

(45) **Date of Patent:** **\*\* May 10, 2016**

(54) **ANTI-THEFT SHOPPING BASKET OR THE LIKE**

(71) Applicant: **HANDGO, LLC**, Wilmington, NC (US)

(72) Inventors: **Manuel Joaquim Duarte Alves**,  
Wilmington, NC (US); **Maria Teresa Lopes Alves Pereira**,  
Wilmington, NC (US)

(73) Assignee: **HANDGO, LLC**, Wilmington, NC (US)

(\*\*) Term: **15 Years**

(21) Appl. No.: **29/531,225**

(22) Filed: **Jun. 24, 2015**

(51) **LOC (10) Cl.** ..... **03-01**

(52) **U.S. Cl.**  
USPC ..... **D3/304**

(58) **Field of Classification Search**  
USPC ..... D3/304, 307-308, 315; D34/12;  
D7/543, 545, 601-602  
CPC ..... B65D 1/00; B65D 3/00; B65D 21/02;  
B65D 25/00  
See application file for complete search history.

(56) **References Cited**

**U.S. PATENT DOCUMENTS**

D283,457 S \* 4/1986 Smith ..... D3/307  
D326,552 S \* 5/1992 Goodell ..... D3/312

D347,098 S \* 5/1994 Hummel ..... D3/309  
D395,362 S \* 6/1998 Fink ..... D3/307  
D474,603 S \* 5/2003 Berenguer ..... D3/307  
D497,253 S \* 10/2004 Alves ..... D3/309  
D563,620 S \* 3/2008 Dong ..... D32/37  
D631,222 S \* 1/2011 Gimeno ..... D34/24  
D633,270 S \* 2/2011 Gimeno ..... D34/24  
D633,680 S \* 3/2011 Gimeno ..... D34/24  
D633,681 S \* 3/2011 Gimeno ..... D34/24  
D634,501 S \* 3/2011 Overland ..... D34/19  
D715,512 S \* 10/2014 Subiros Berenguer ..... D34/24

\* cited by examiner

*Primary Examiner* — Kelley Donnelly

(74) *Attorney, Agent, or Firm* — Ralph H. Dougherty

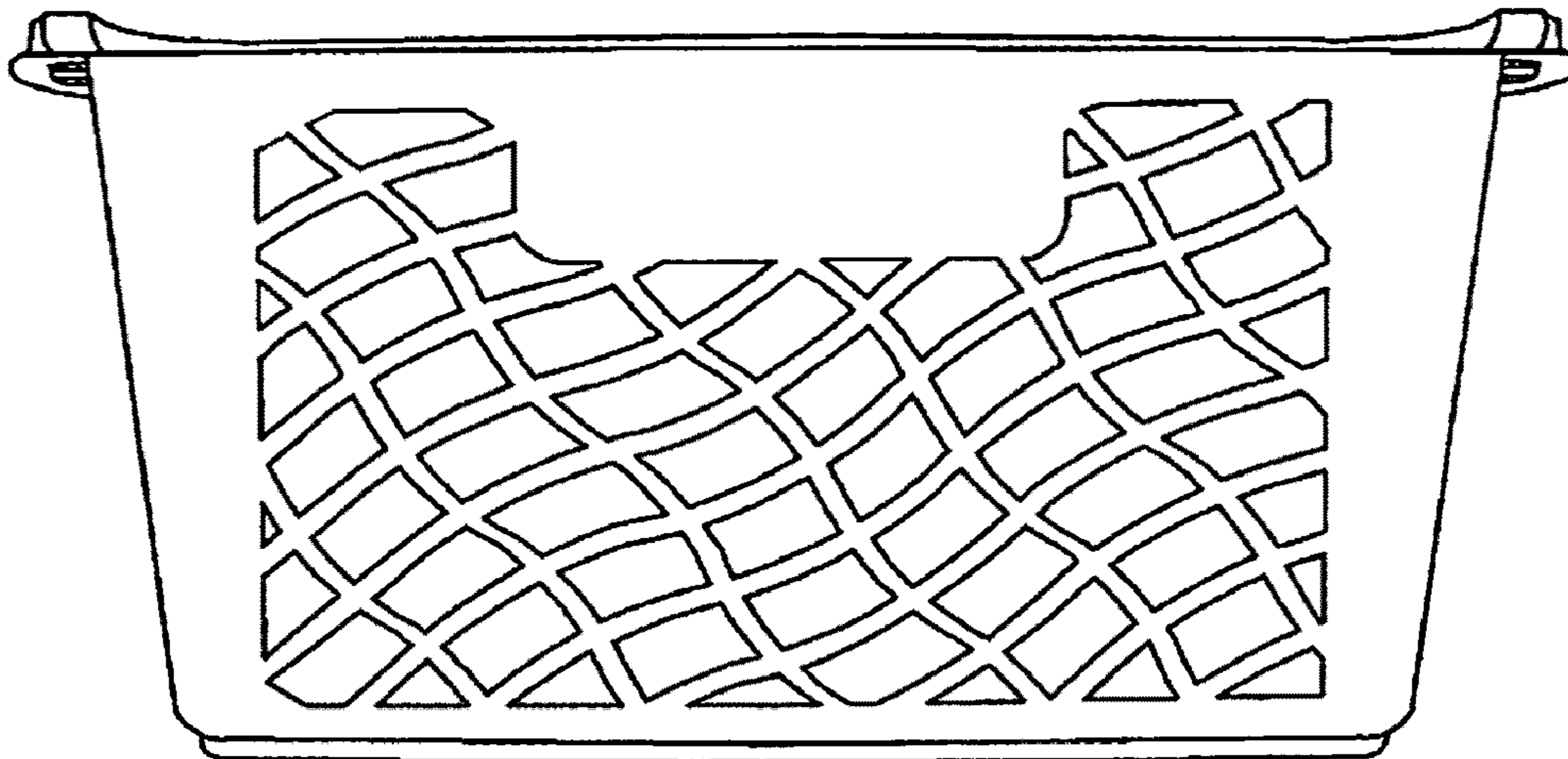
(57) **CLAIM**

The ornamental design for an anti-theft shopping basket or the like, as shown and described.

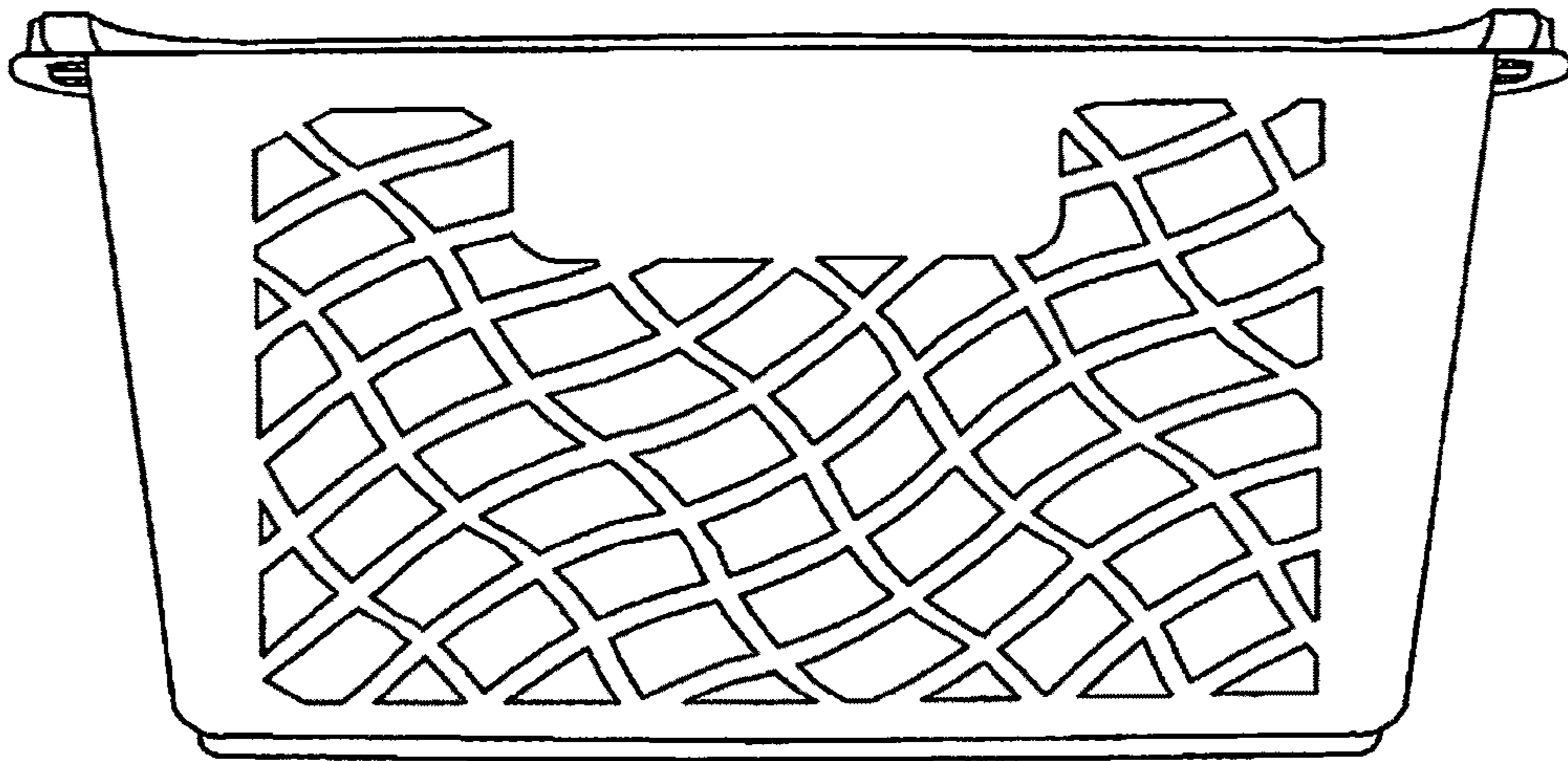
**DESCRIPTION**

FIG. 1 is a front elevational view of the invented anti-theft shopping basket or the like showing the new design; FIG. 2 is a rear elevational view thereof; FIG. 3 is a left end elevational view thereof; FIG. 4 is a right end elevational view thereof; FIG. 5 is a top view thereof; FIG. 6 is a bottom view thereof; and, FIG. 7 is a perspective view thereof. The broken lines are for the purpose of illustrating the environment of the design only and form no part of the claimed design.

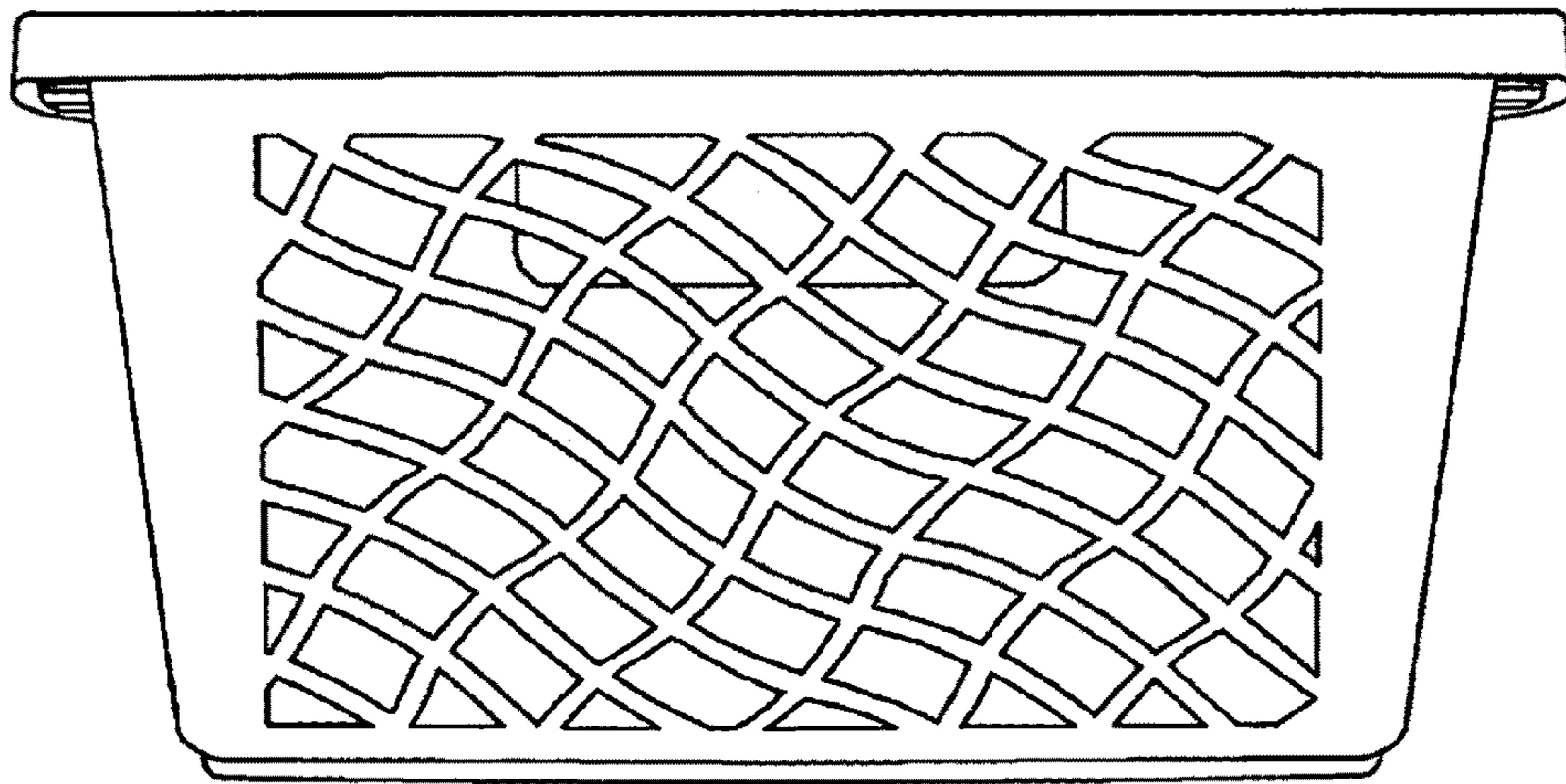
**1 Claim, 7 Drawing Sheets**



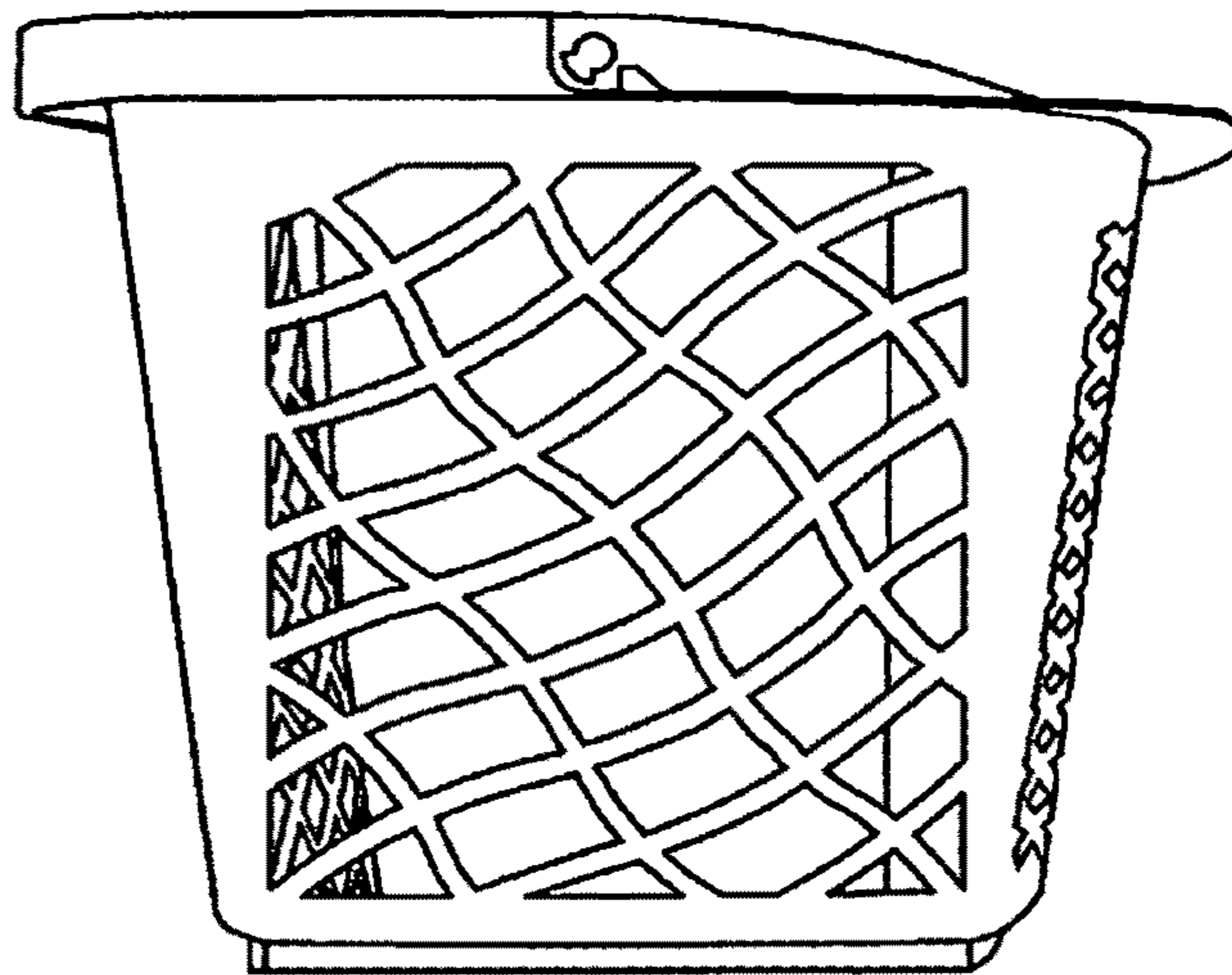
*Fig. 1*



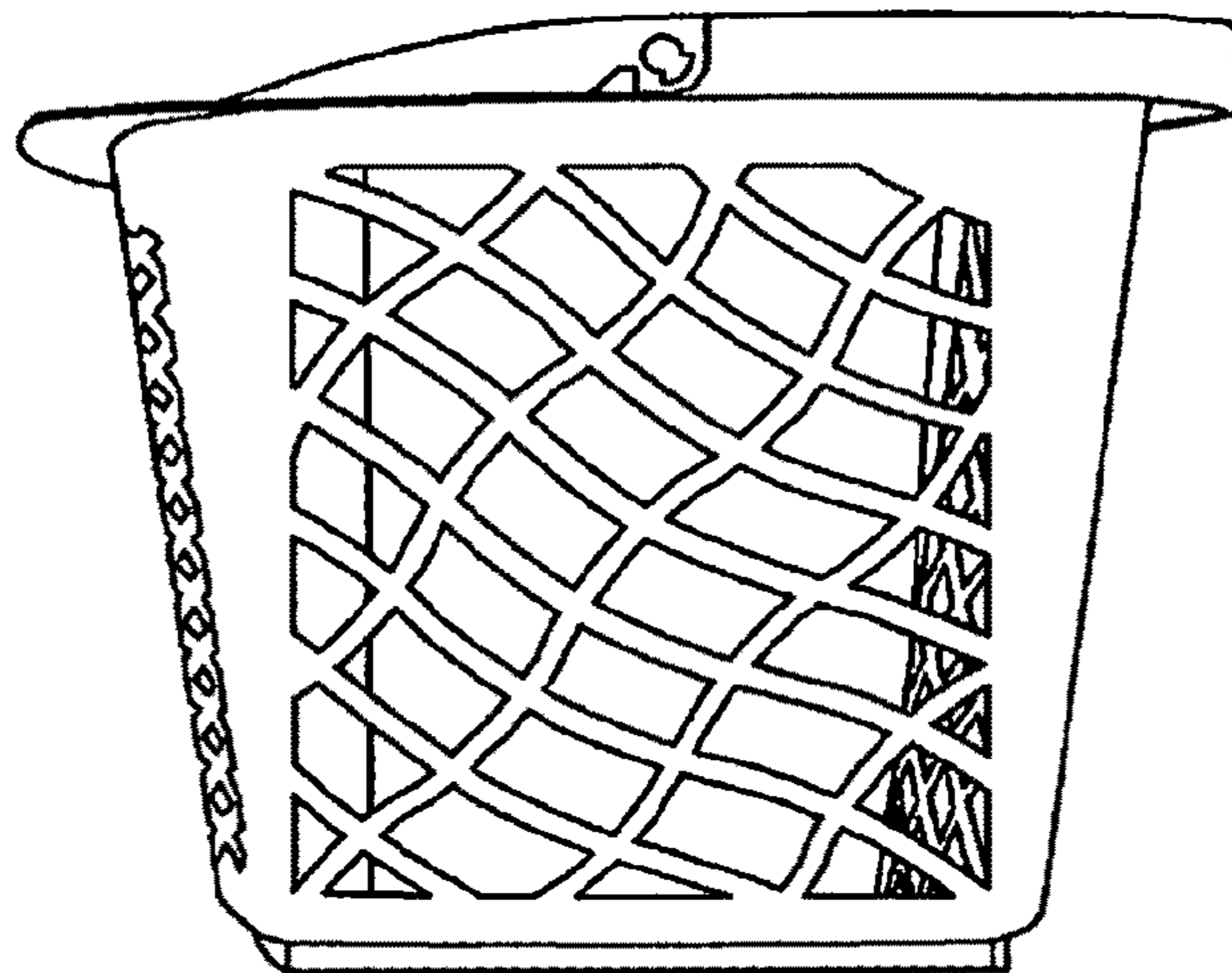
*Fig. 2*



*Fig. 3*

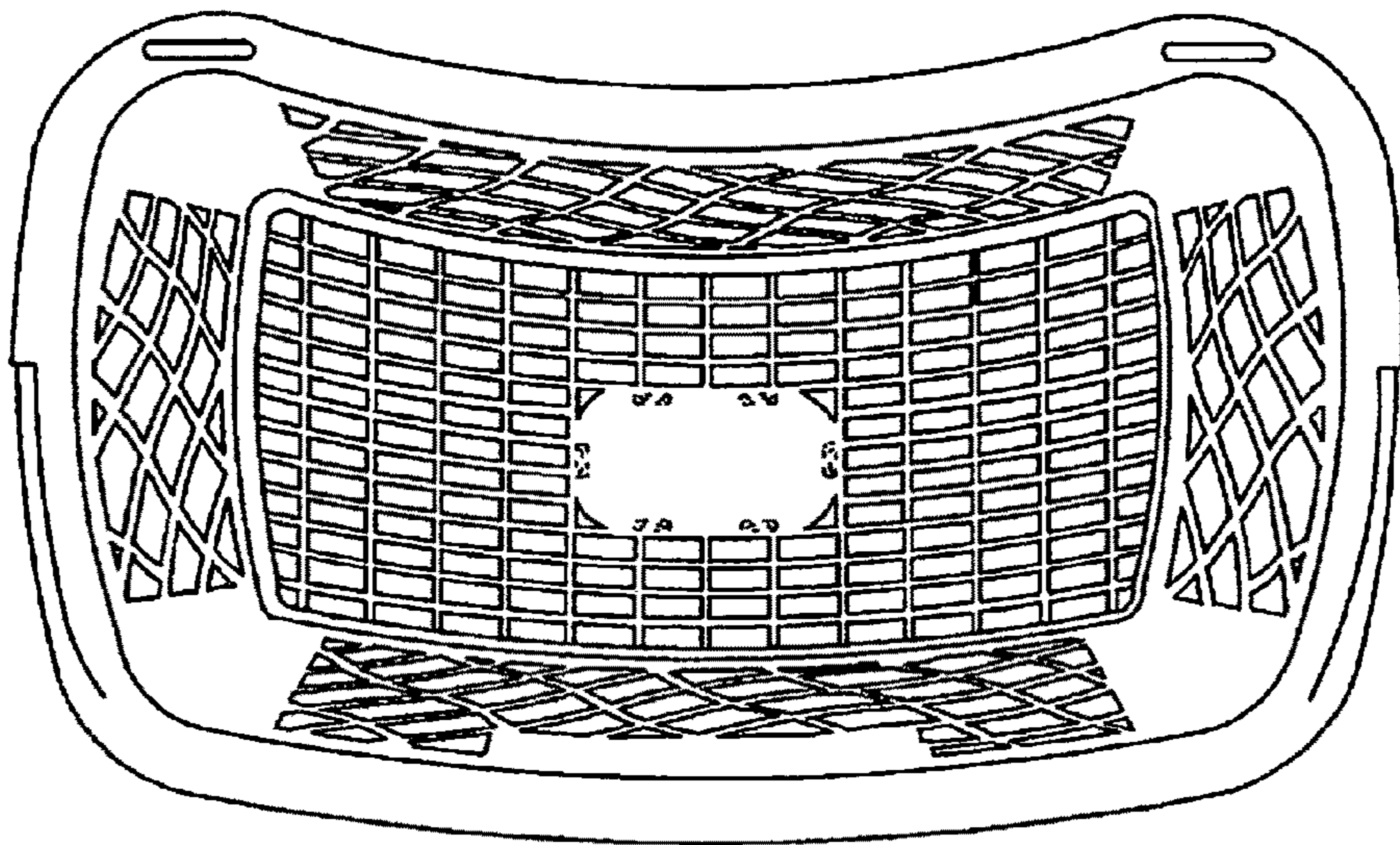


*Fig. 4*

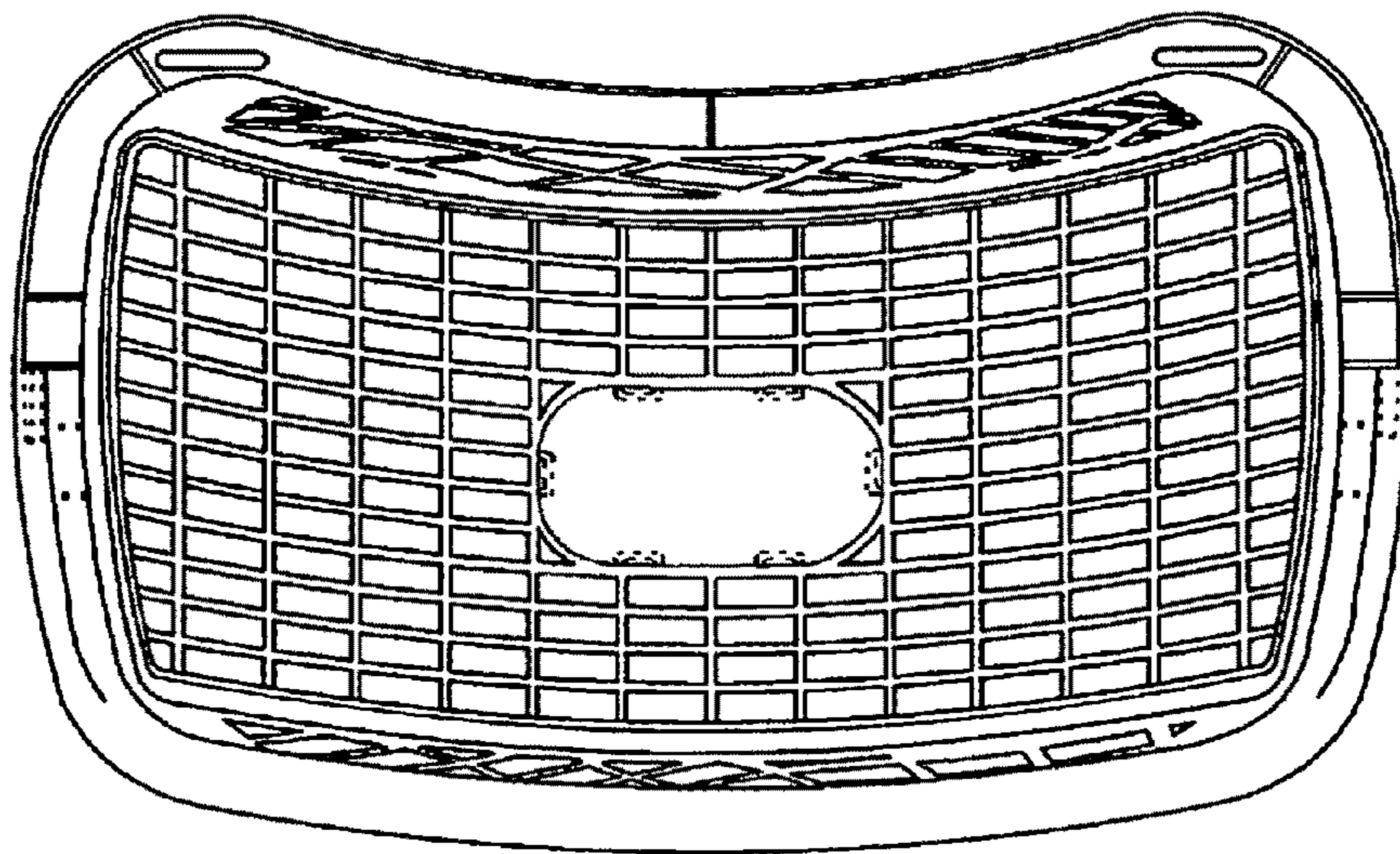




*Fig. 5*



*Fig. 6*



*Fig. 7*

