



US00D755516S

(12) **United States Design Patent**
Krenkler

(10) **Patent No.:** **US D755,516 S**

(45) **Date of Patent:** **** May 10, 2016**

(54) **LADYBUG CONTACT LENS CASE**

Primary Examiner — T. Chase Nelson

(71) Applicant: **Kikkerland Design, Inc.**, New York, NY
(US)

(74) *Attorney, Agent, or Firm* — Charles H. Jew

(72) Inventor: **Elisabeth Krenkler**, New York, NY
(US)

(57) **CLAIM**

The ornamental design for a ladybug contact lens case, as shown and described.

(73) Assignee: **Kikkerland Design, Inc.**, New York, NY
(US)

(**) Term: **14 Years**

DESCRIPTION

(21) Appl. No.: **29/504,469**

(22) Filed: **Oct. 6, 2014**

(51) **LOC (10) Cl.** **03-01**

(52) **U.S. Cl.**
USPC **D3/264**

(58) **Field of Classification Search**
USPC D3/219, 252, 263, 264, 265; 206/5, 5.1,
206/6
CPC A45C 11/04; A45C 11/005
See application file for complete search history.

FIG. 1 is a top plan view thereof of the ladybug contact lens case showing my design;
FIG. 2 is a bottom plan view thereof;
FIG. 3 is a rear elevational view thereof;
FIG. 4 is a front elevational view thereof;
FIG. 5 is a left side elevational view thereof;
FIG. 6 is a right side elevational view thereof;
FIG. 7 is a front perspective view thereof.
FIG. 8 is a front perspective view thereof with the lens cover removed;
FIG. 9 is a top plan view of a second embodiment of the ladybug contact lens case showing my design;
FIG. 10 is a bottom plan view thereof;
FIG. 11 is a rear elevational view thereof; and
FIG. 12 is a front elevational view thereof;
FIG. 13 is a left side elevational view thereof;
FIG. 14 is a right side elevational view thereof;
FIG. 15 is a front perspective view thereof; and,
FIG. 16 is a front perspective view thereof with the lens cover removed.
The broken lines in FIGS. 8 and 16 marking the right and left lens reservoirs are for illustration purposes only and form no part of the claimed design.

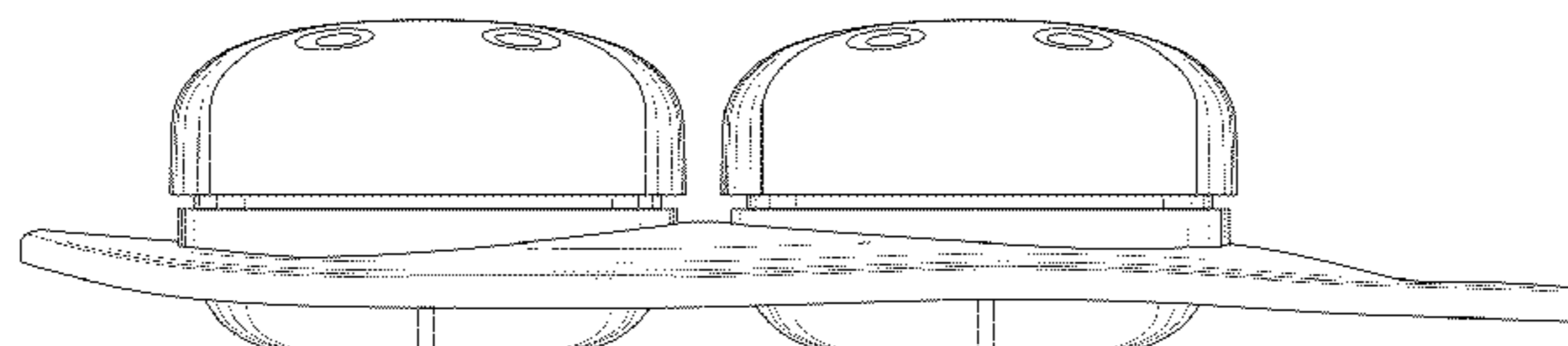
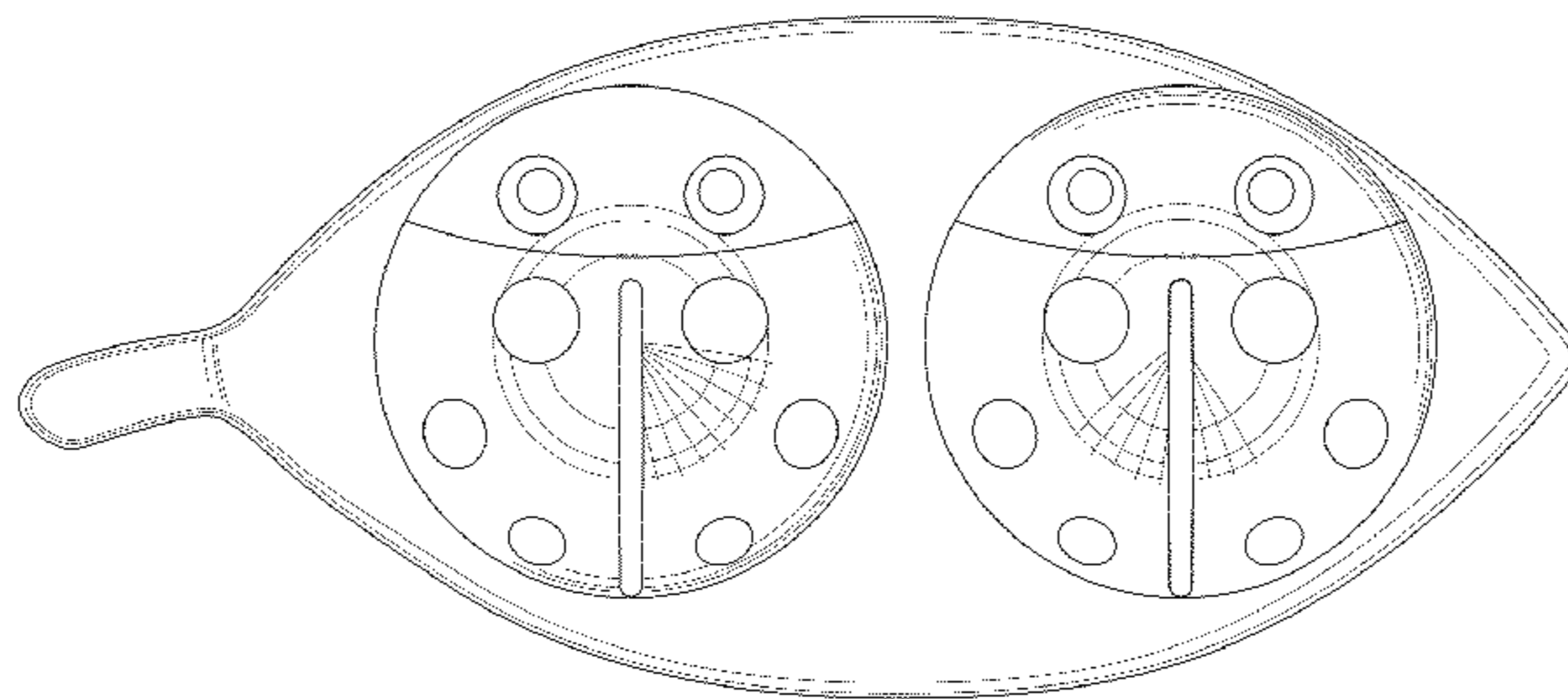
(56) **References Cited**

U.S. PATENT DOCUMENTS

5,199,559	A *	4/1993	Dark	A61F 2/1691
					206/438
D379,871	S *	6/1997	Hollinger	D3/263
D438,002	S *	2/2001	Lin	D3/263
D456,606	S *	5/2002	Kim	D3/263
D509,356	S *	9/2005	Kushner	D3/219
D634,352	S *	3/2011	Kim	D16/306
D658,372	S *	5/2012	van der Lande	D3/264
D711,645	S *	8/2014	van der Lande	D3/264
D746,106	S *	12/2015	Chan	D7/399

* cited by examiner

1 Claim, 6 Drawing Sheets



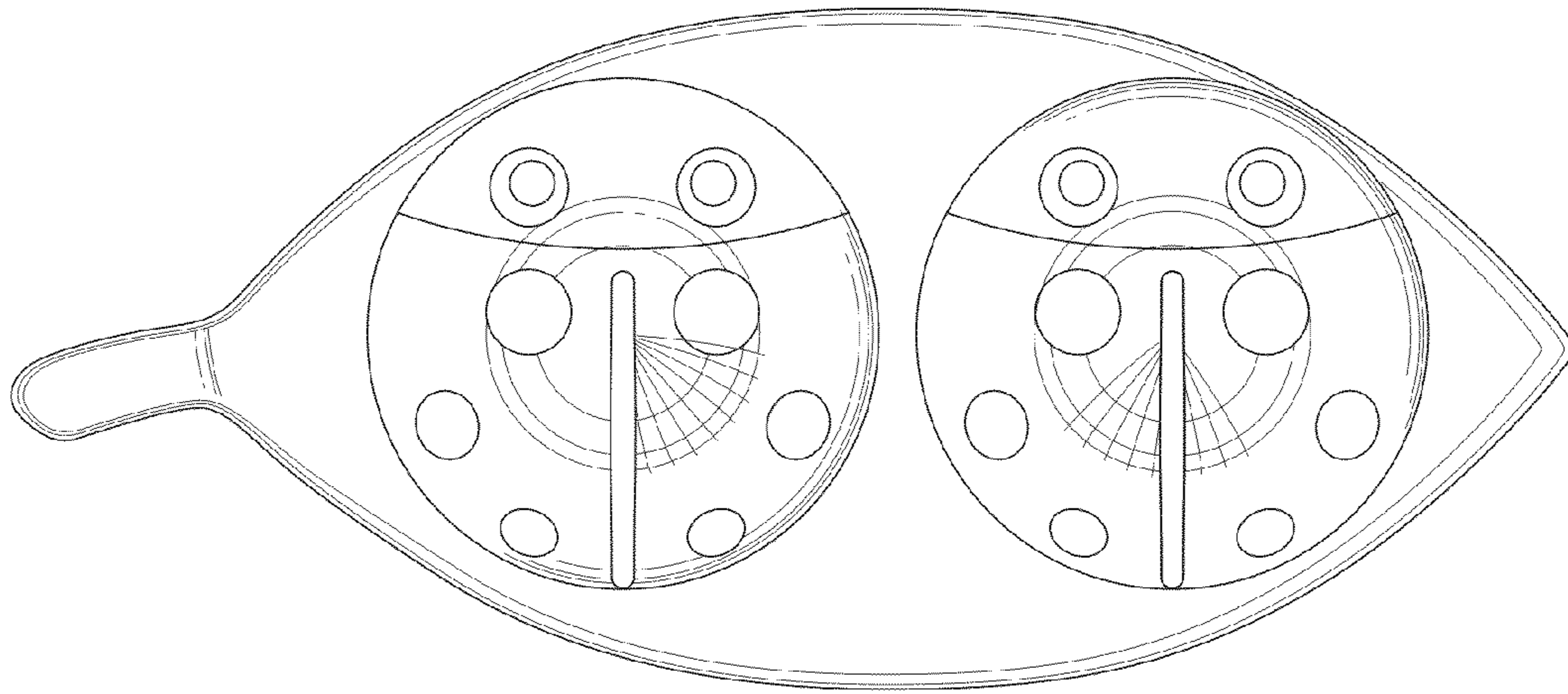


FIG. 1

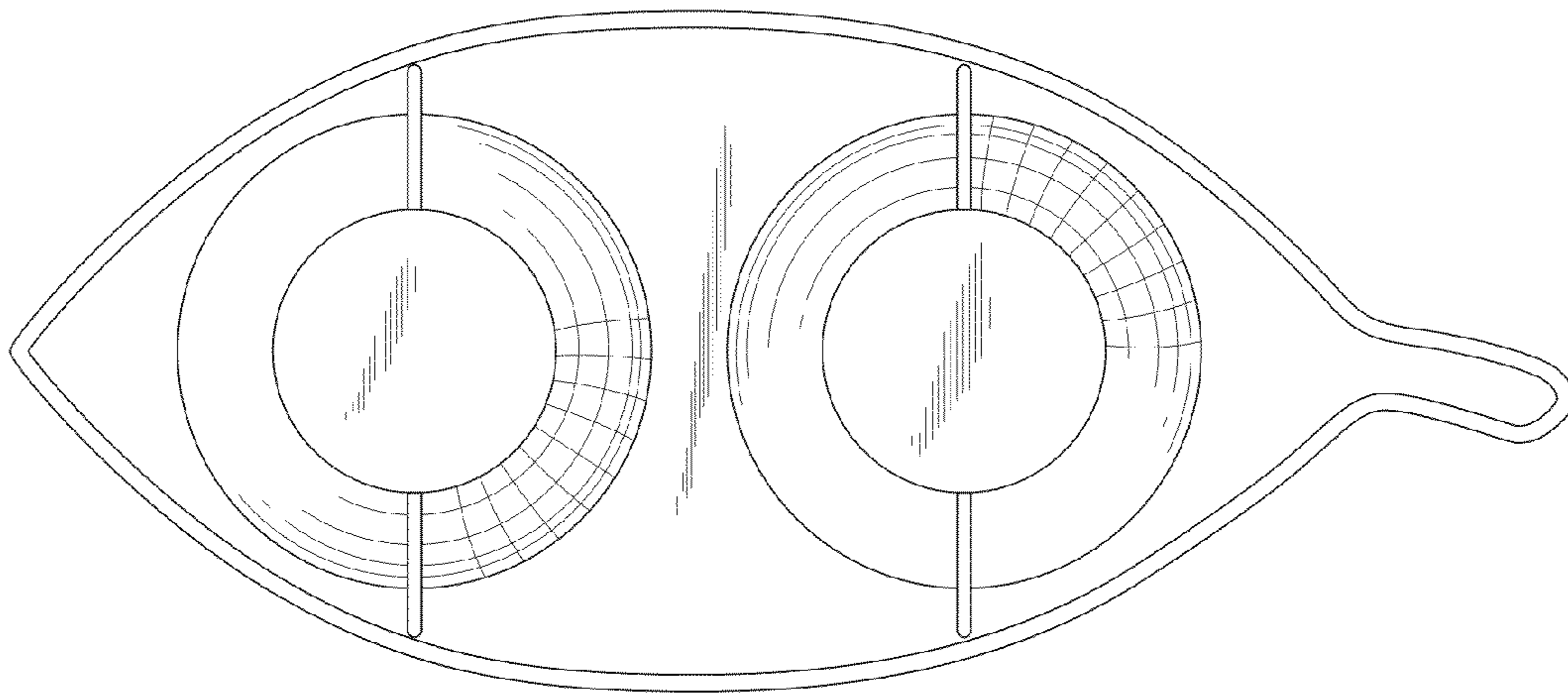


FIG. 2

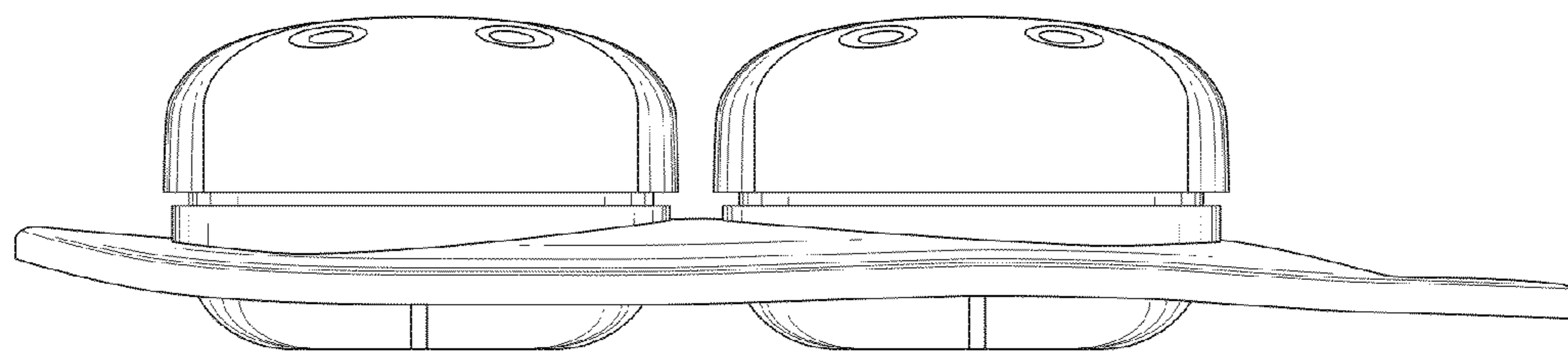


FIG. 3

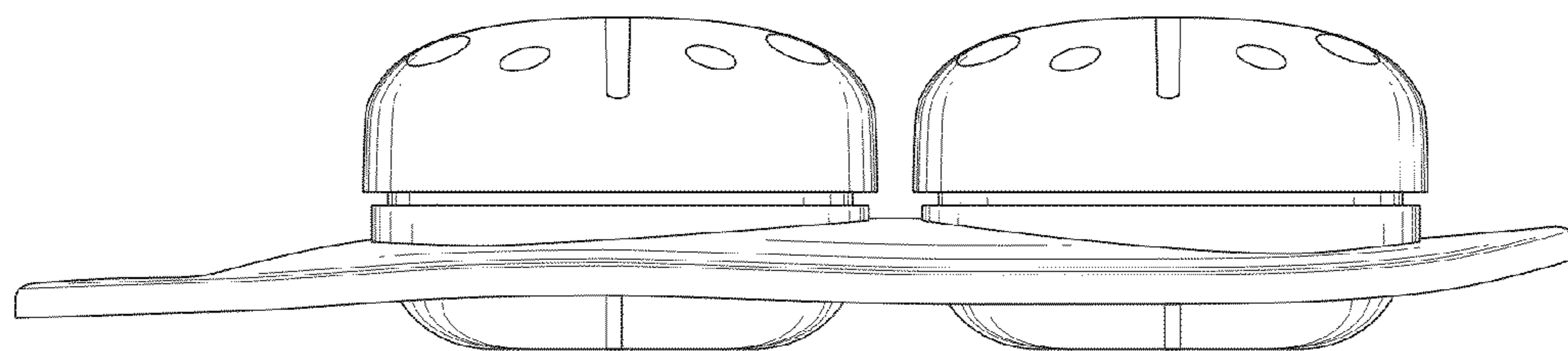


FIG. 4

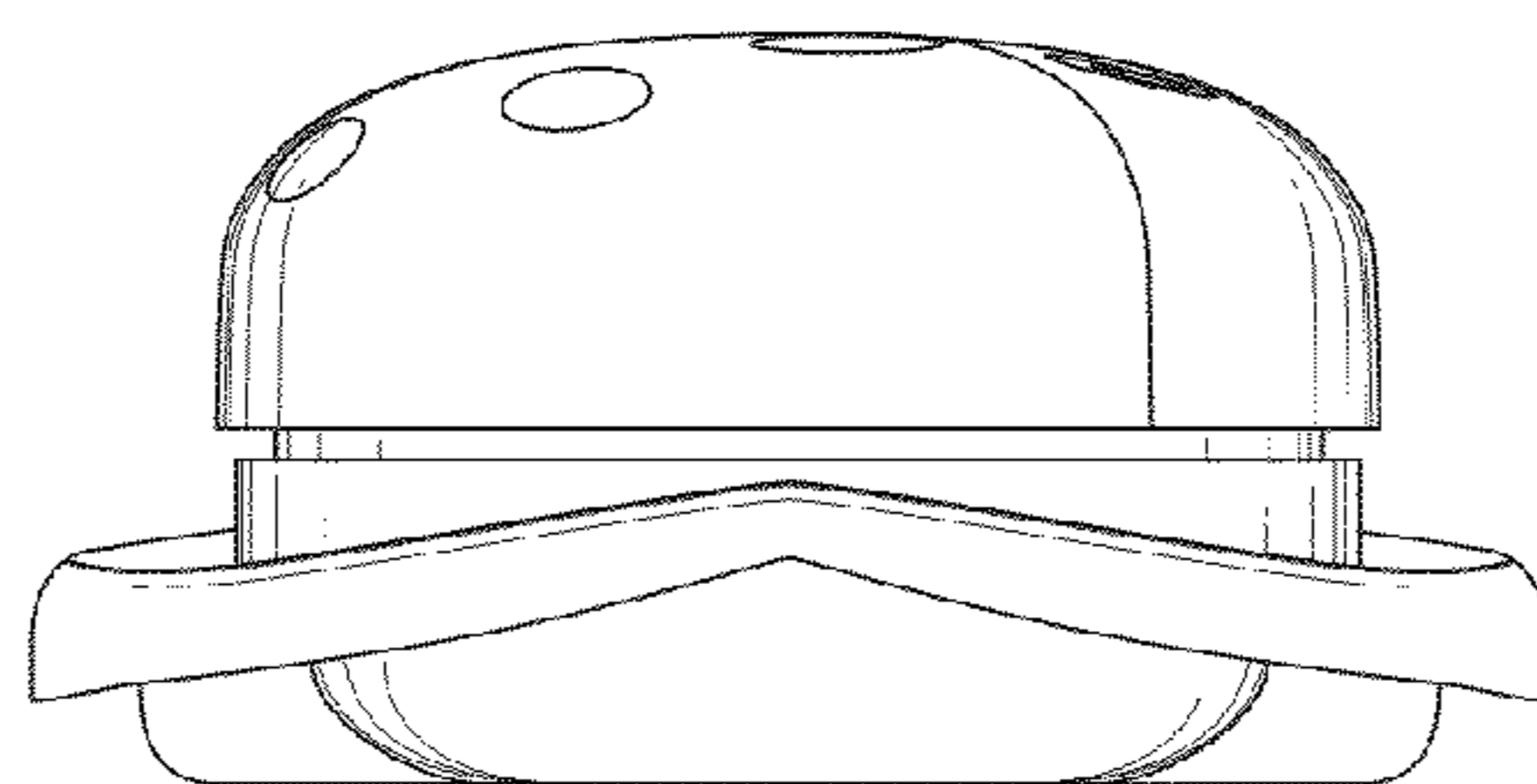


FIG. 5

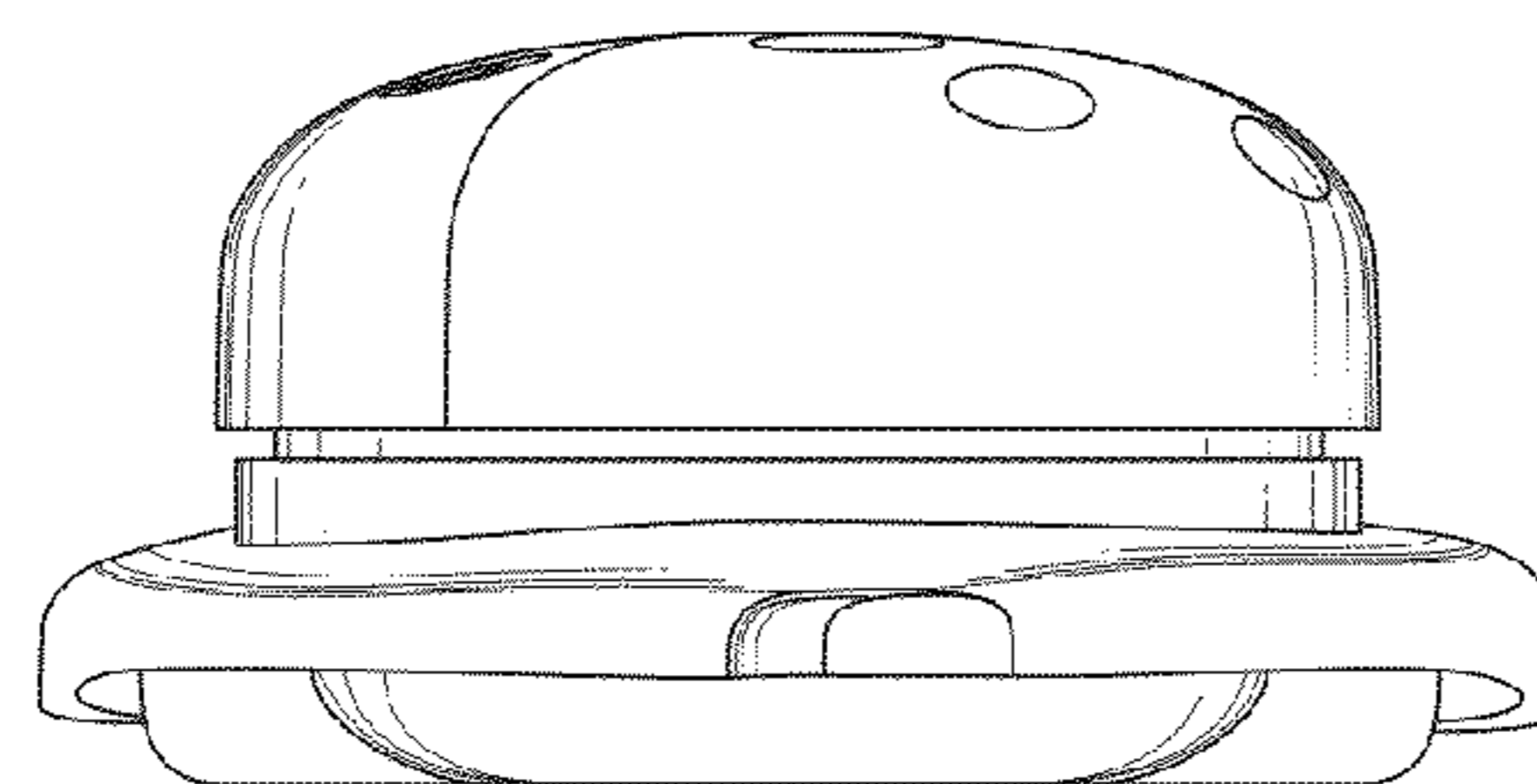


FIG. 6

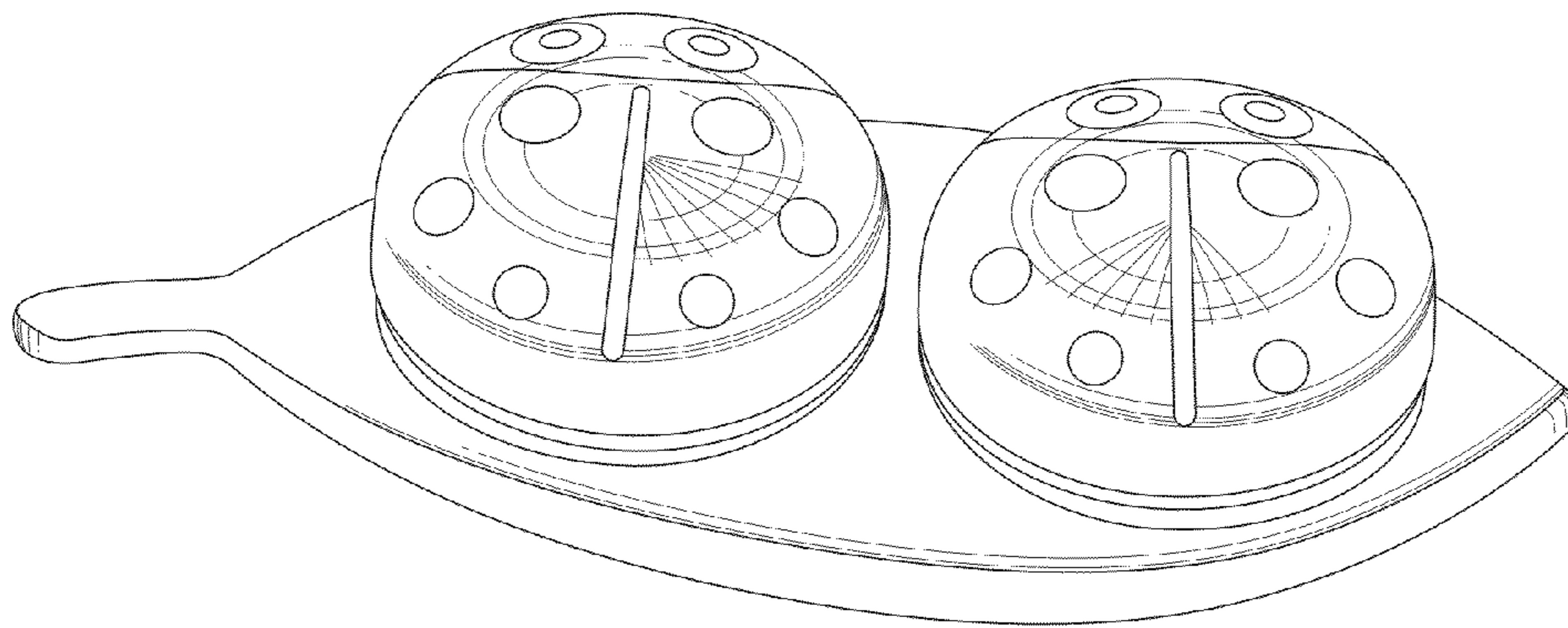


FIG. 7

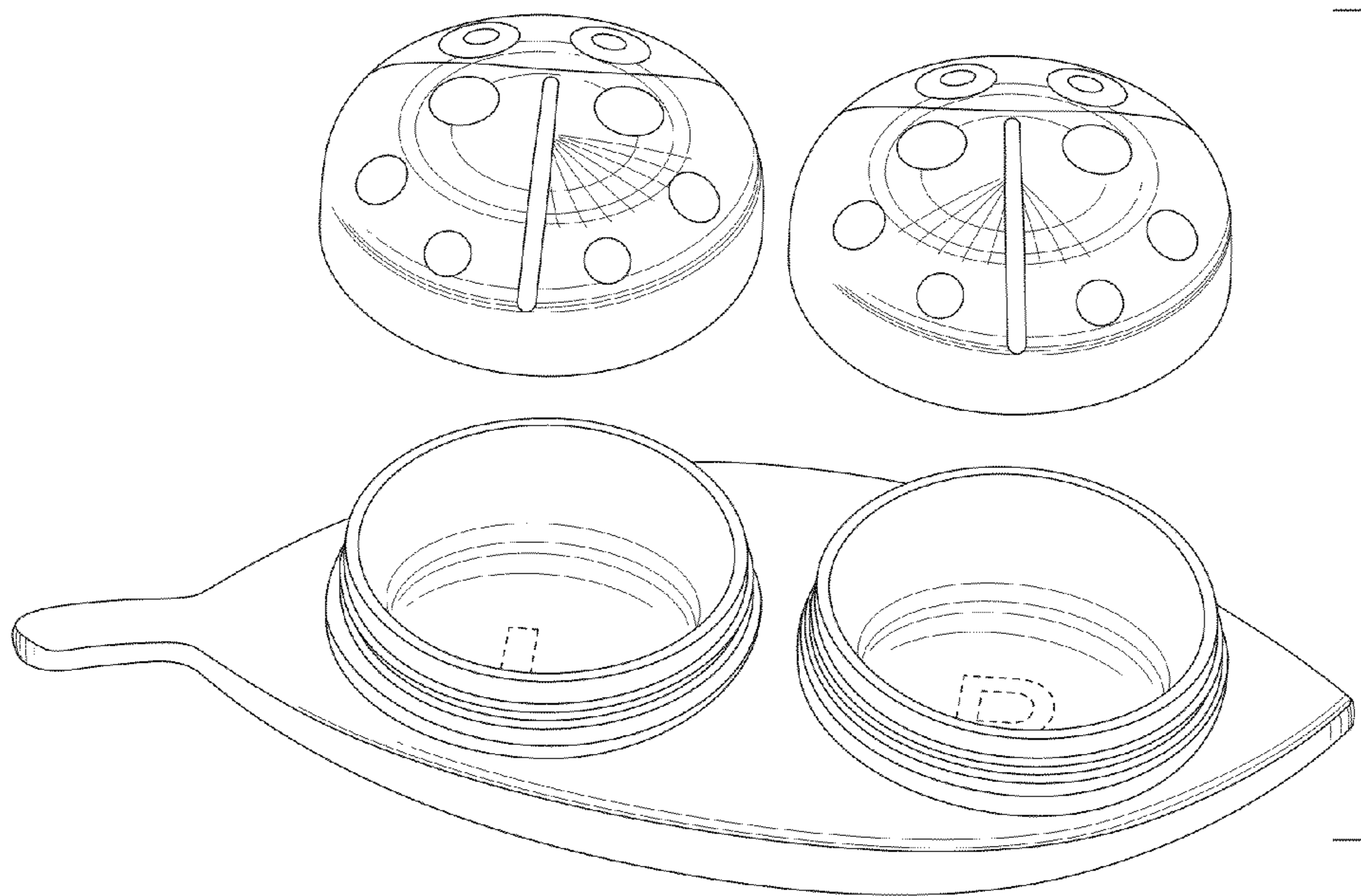


FIG. 8

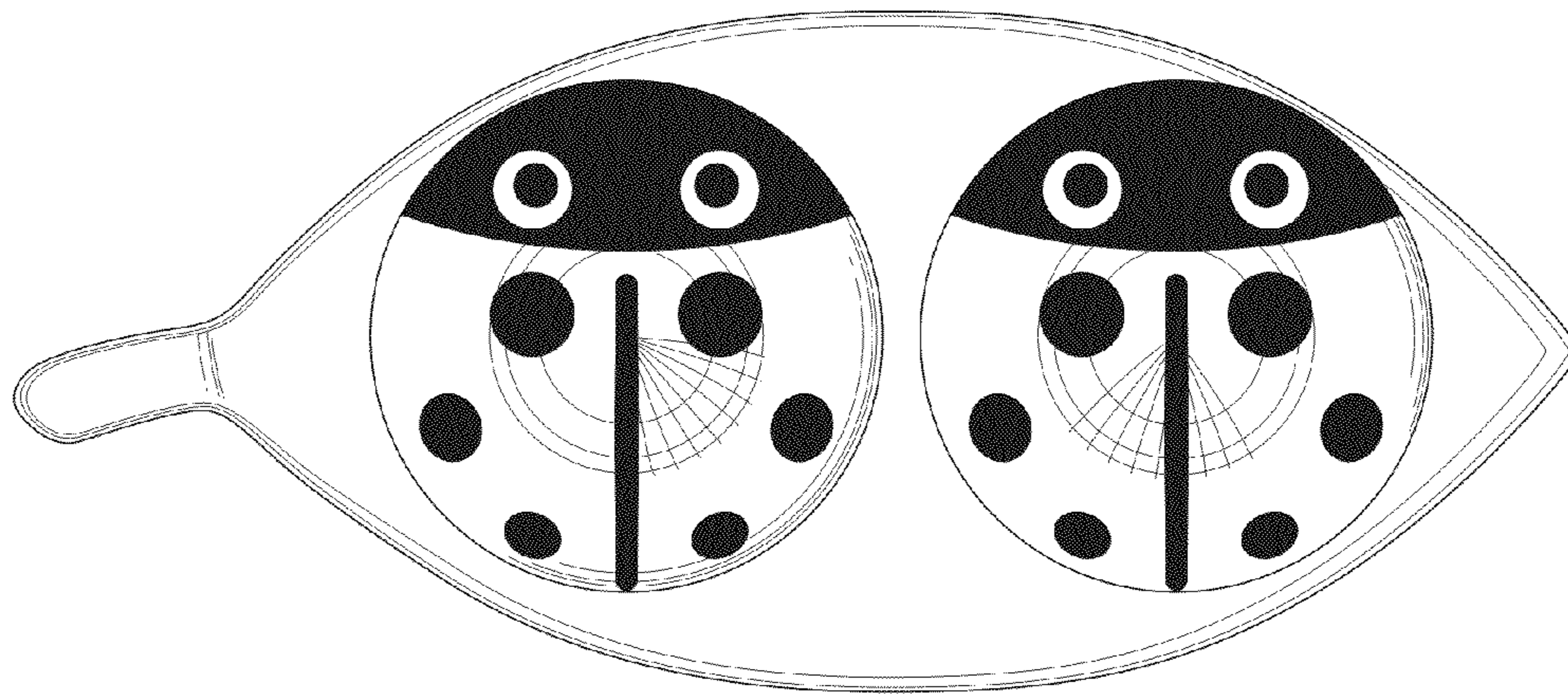


FIG. 9

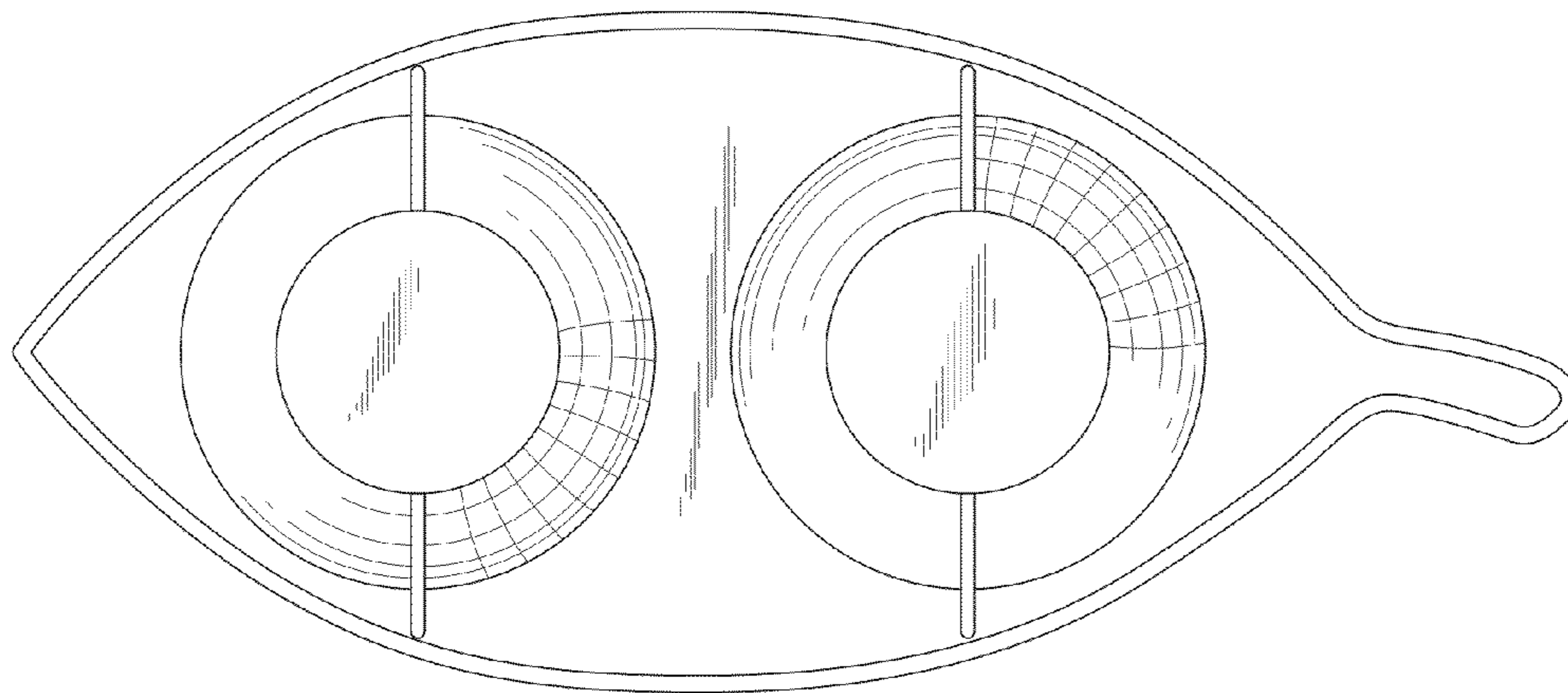


FIG. 10

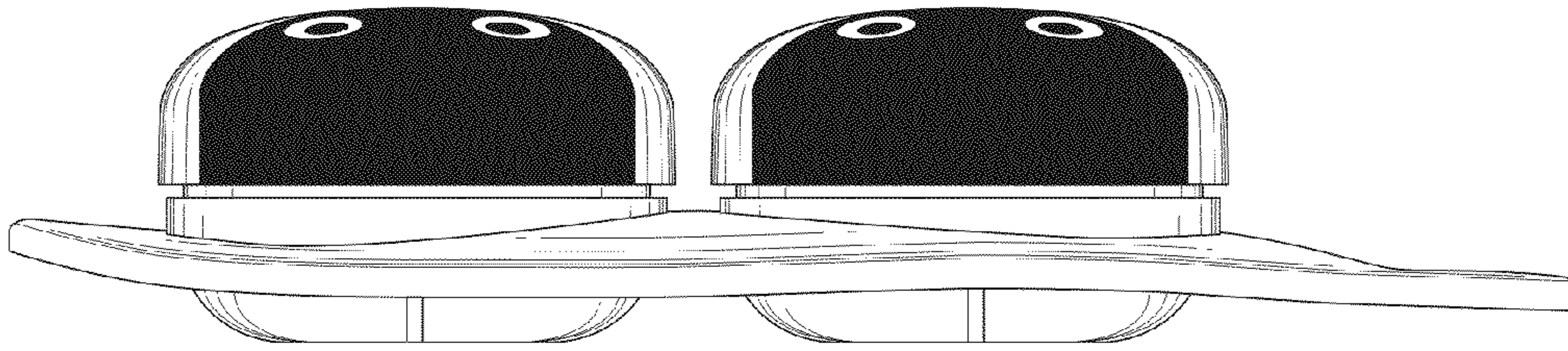


FIG. 11

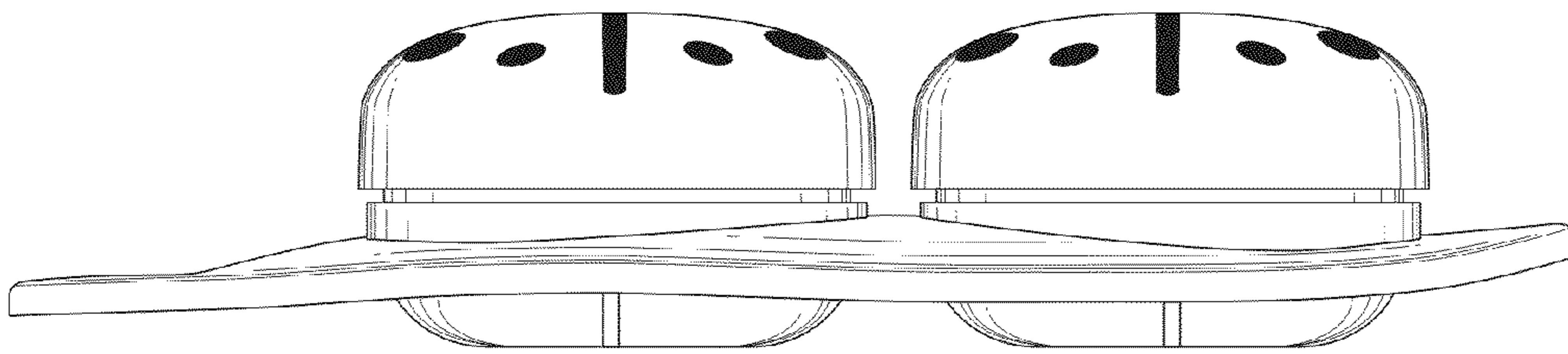


FIG. 12

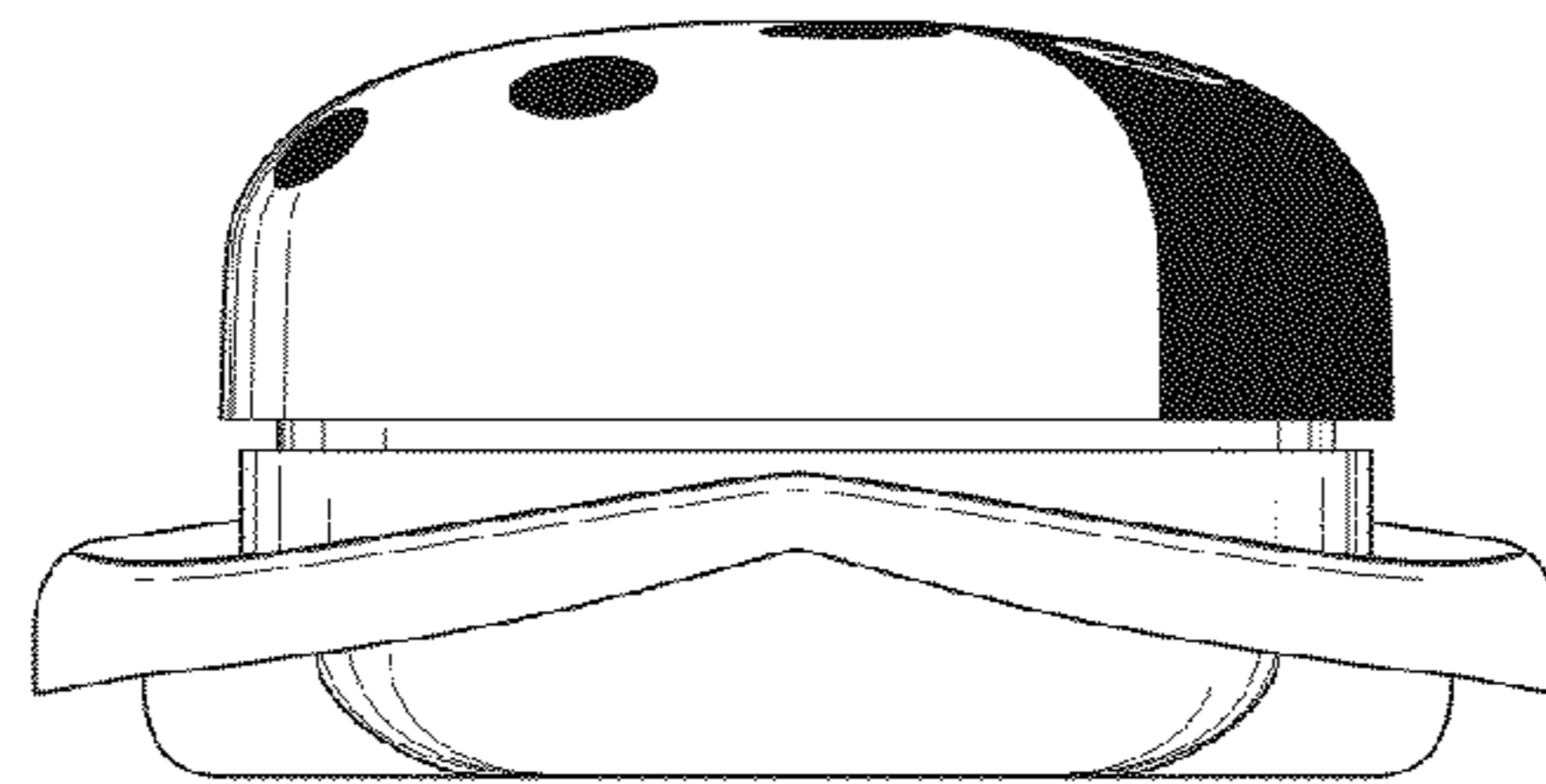


FIG. 13

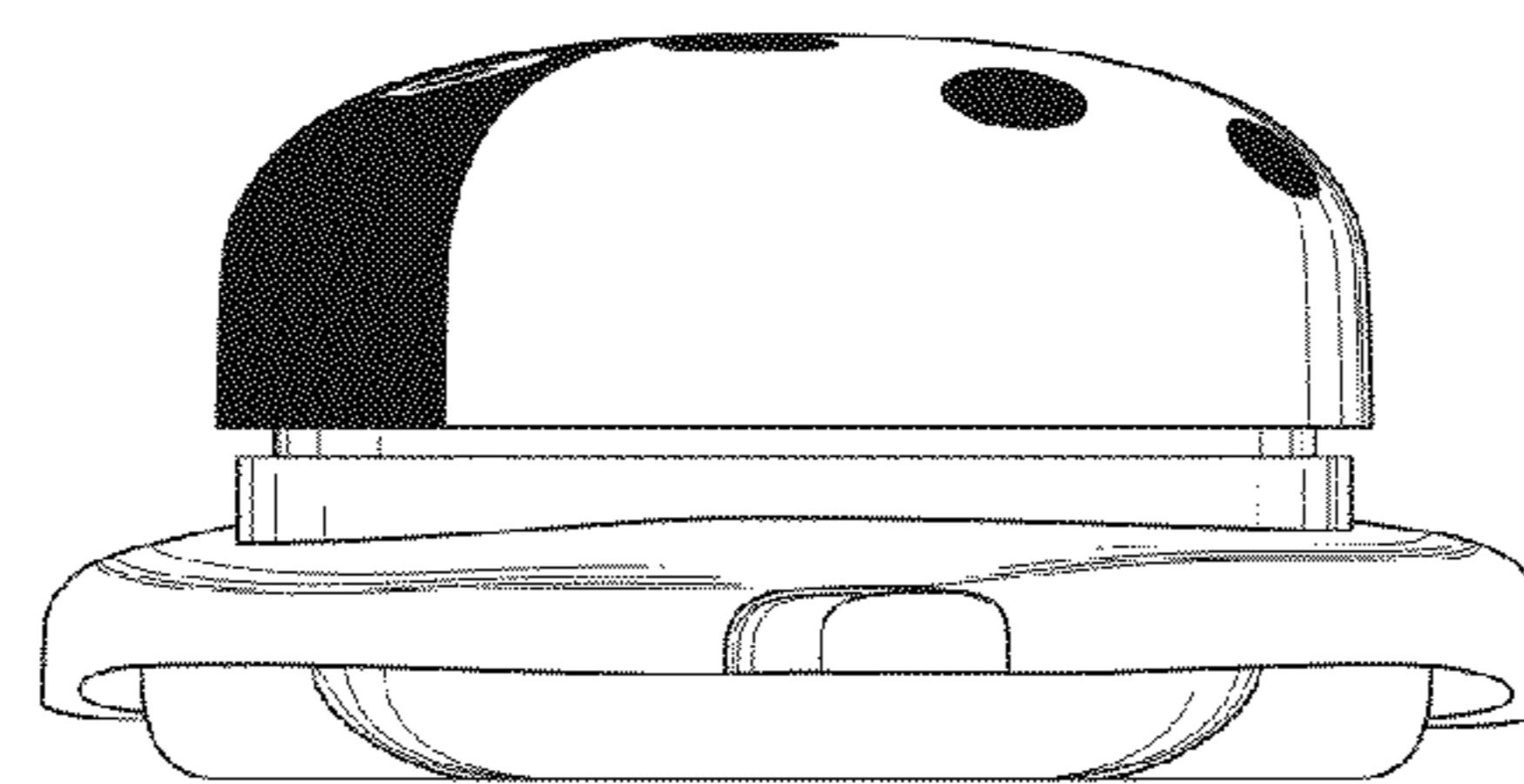


FIG. 14

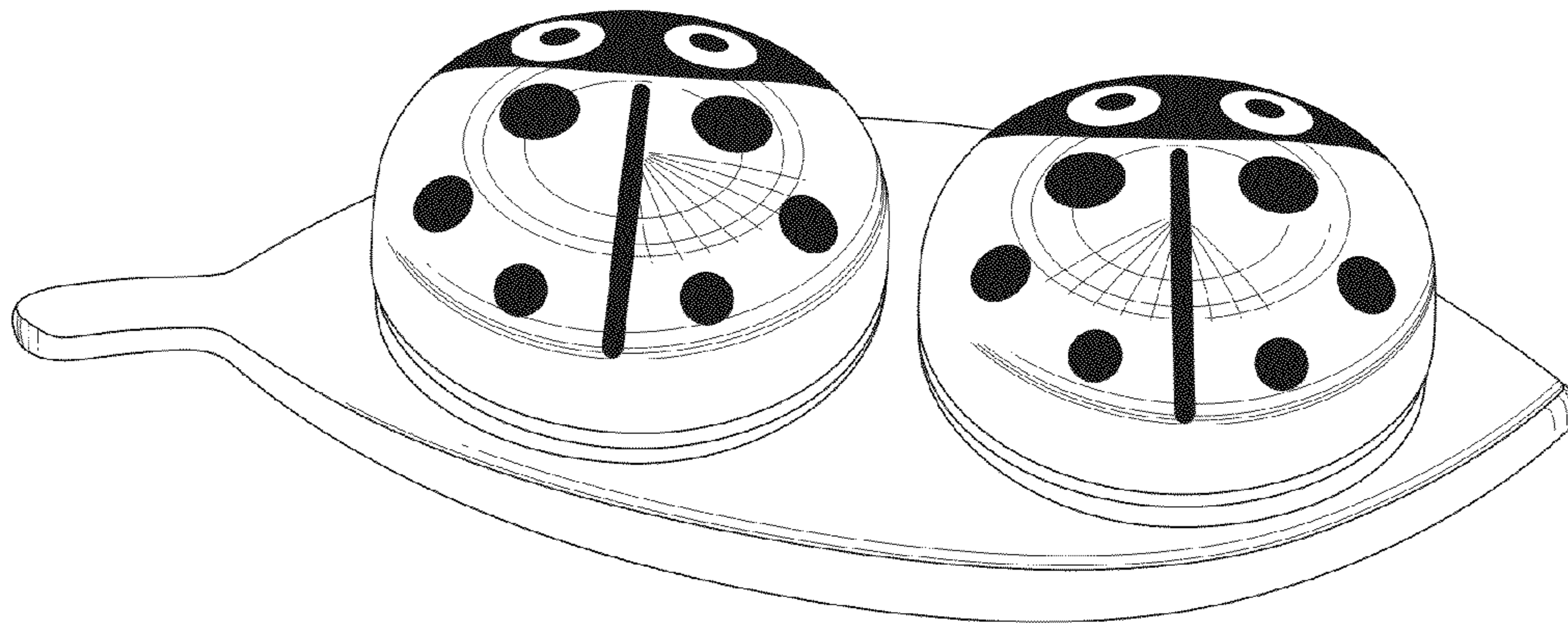


FIG. 15

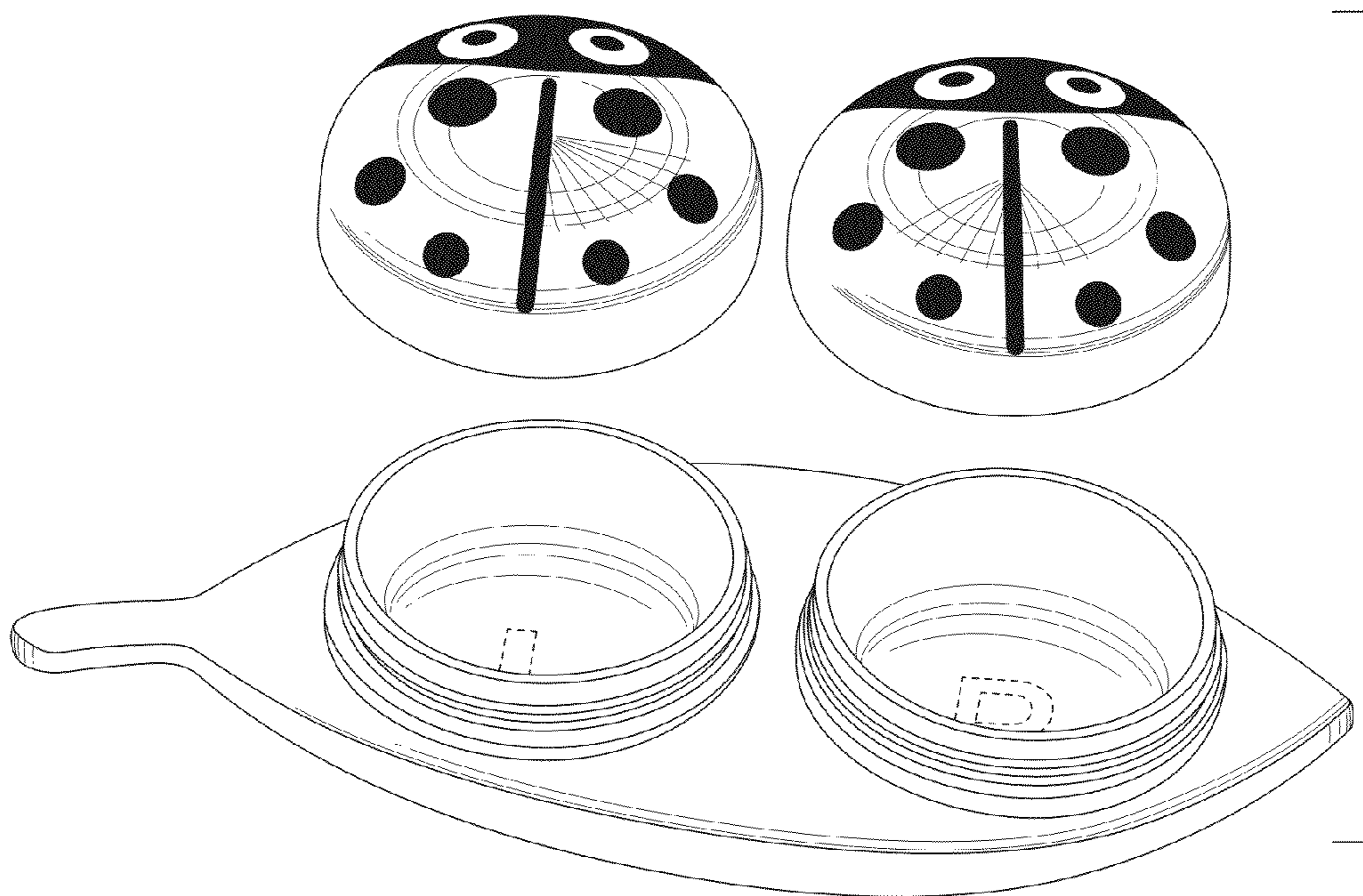


FIG. 16