



US00D755513S

(12) **United States Design Patent**
DeChant

(10) **Patent No.:** **US D755,513 S**

(45) **Date of Patent:** **** May 10, 2016**

(54) **VERTICAL TRIFOLD CELL PHONE WALLET**

(71) Applicant: **Daniel A. DeChant**, Madison, WI (US)

(72) Inventor: **Daniel A. DeChant**, Madison, WI (US)

(**) Term: **14 Years**

(21) Appl. No.: **29/519,837**

(22) Filed: **Mar. 9, 2015**

Related U.S. Application Data

(63) Continuation of application No. 29/449,467, filed on Mar. 15, 2013.

(51) **LOC (10) Cl.** **03-01**

(52) **U.S. Cl.**
USPC **D3/247**

(58) **Field of Classification Search**
USPC D3/247, 249–253
CPC A45C 1/06; A45C 3/08
See application file for complete search history.

(56) **References Cited**

U.S. PATENT DOCUMENTS

D13,040 S 7/1882 Brueck
658,394 A 9/1900 Peters
833,834 A 10/1906 Hille
940,853 A 11/1909 Cardwell

(Continued)

FOREIGN PATENT DOCUMENTS

CA 134785 10/2010
DE 197428065 U 11/1974

(Continued)

OTHER PUBLICATIONS

Co-pending U.S. Appl. No. 29/513,713, filed Jan. 5, 2015.

Primary Examiner — Holly Baynham

(74) *Attorney, Agent, or Firm* — Michael Best & Friedrich LLP

(57) **CLAIM**

The ornamental design for a vertical trifold cell phone wallet, as shown and described.

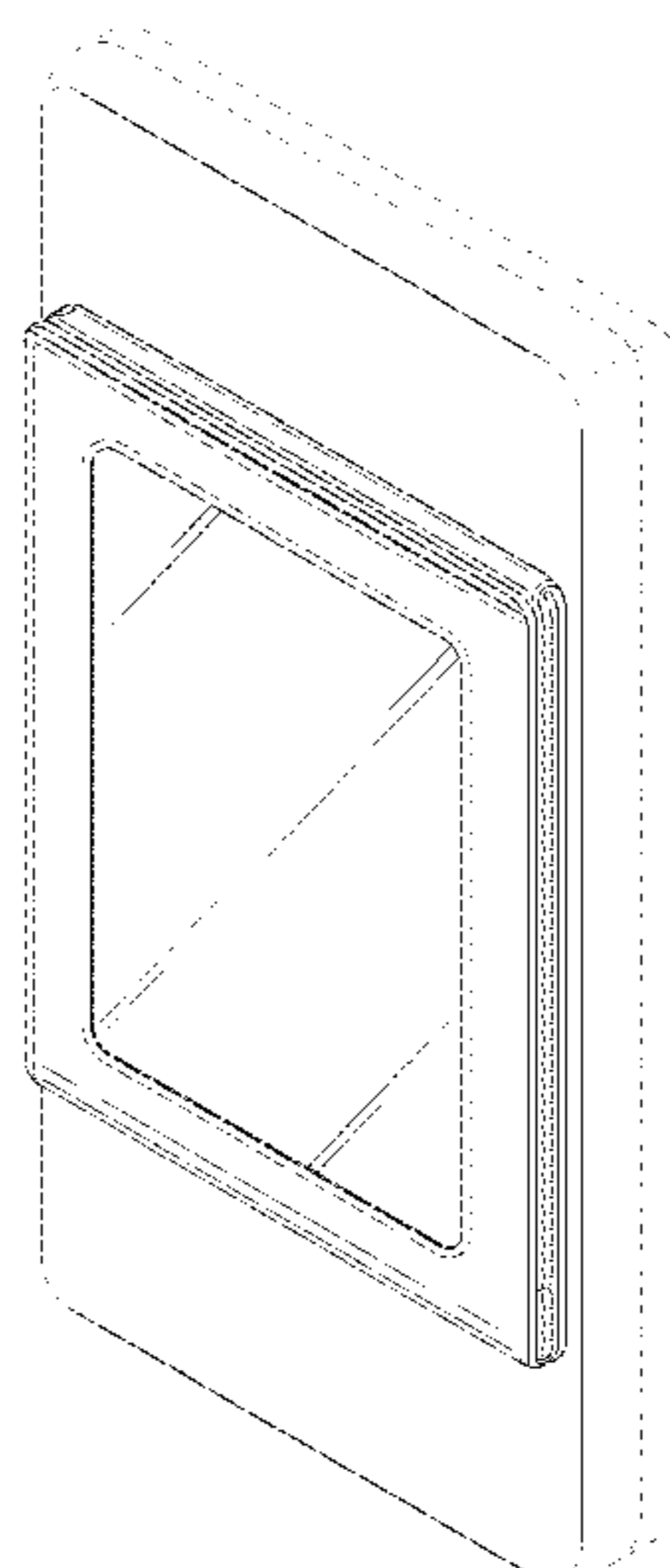
DESCRIPTION

FIG. 1 is a perspective view of a vertical trifold cell phone wallet with an exterior framed pocket and interior slot pockets according to another embodiment showing my new design; FIG. 2 is a front view thereof; FIG. 3 is a rear view thereof; FIG. 4 is a left side view thereof; FIG. 5 is a right side view thereof; FIG. 6 is a top view thereof; FIG. 7 is a bottom view thereof; FIG. 8 is a perspective view of the vertical trifold cell phone wallet with an exterior framed pocket and interior slot pockets in an open condition; FIG. 9 is a front view thereof; FIG. 10 is a rear view thereof; FIG. 11 is a left side view thereof; FIG. 12 is a right side view thereof; FIG. 13 is a top view thereof; FIG. 14 is a bottom view thereof; FIG. 15 is a perspective view of the vertical trifold cell phone wallet with an exterior framed pocket and interior slot pockets in a stand configuration; FIG. 16 is a front view thereof; FIG. 17 is a rear view thereof; FIG. 18 is a left side view thereof; FIG. 19 is a right side view thereof; FIG. 20 is a top view thereof; and, FIG. 21 is a bottom view thereof.

The present application is directed to the design illustrated in the drawings.

The broken line portions of the disclosure are for illustrative purposes only and form no part of the claimed design.

1 Claim, 16 Drawing Sheets



(56)

References Cited

U.S. PATENT DOCUMENTS

1,035,945	A	8/1912	Cardwell	
1,035,946	A	8/1912	Cardwell	
1,073,768	A	9/1913	Loveland	
D45,677	S	4/1914	Shick	
1,269,247	A	6/1918	Aslin	
1,582,492	A	4/1926	Tantlinger	
D101,819	S	11/1936	Miller	
D112,415	S	11/1938	Zumft	
D134,884	S	1/1943	Engelstein	
D178,800	S	9/1956	McKinnon	
D185,056	S	5/1959	Arkin	
3,162,227	A	12/1964	Bakken	
1,671,297	A	2/1968	Levi	
3,370,777	A	2/1968	Levi	
D255,509	S	6/1980	Nathan et al.	
4,388,734	A	6/1983	Cowden	
D279,423	S	7/1985	Zucker	
4,705,086	A	11/1987	O'Neill	
D303,042	S	* 8/1989	Mackey D6/630
D308,887	S	6/1990	Wyant	
4,942,913	A	7/1990	Musso	
D311,815	S	11/1990	Balsley	
D314,213	S	1/1991	Bishop	
D334,588	S	4/1993	Okola	
D340,355	S	10/1993	Little	
D342,829	S	1/1994	Mitchell	
D367,956	S	* 3/1996	Peters D3/233
D410,774	S	6/1999	Inbert	
D434,899	S	12/2000	Kojoori	
D435,339	S	12/2000	Cleveland	
D435,340	S	12/2000	Kojoori	
6,427,836	B1	8/2002	Bolanos	
D471,704	S	3/2003	Moore	
D510,596	S	10/2005	Ong	

D527,899	S	9/2006	Morehead
7,204,398	B1	4/2007	Smith, Sr.
D551,446	S	9/2007	Elnekaveh
7,496,971	B2	3/2009	Soto
D594,656	S	6/2009	Wills
D608,092	S	1/2010	Holzner et al.
D619,806	S	7/2010	Franks
D633,714	S	3/2011	Marshall
8,047,364	B2	11/2011	Longinotti-Buitoni
8,833,379	B1	9/2014	Kaplan
2005/0126667	A1	6/2005	Bell
2007/0057004	A1	3/2007	Butler et al.
2007/0232372	A1	10/2007	Plaster
2007/0262112	A1	11/2007	Butler et al.
2008/0006355	A1	1/2008	Gomez Micone
2008/0121322	A1	5/2008	Thomson
2009/0050686	A1	2/2009	Kon et al.
2009/0194571	A1	8/2009	Evans
2011/0030860	A1	2/2011	Allen et al.
2011/0057034	A1	3/2011	Maxwell
2011/0277892	A1	11/2011	Black
2012/0043234	A1	2/2012	Westrup
2012/0050968	A1	3/2012	Child et al.
2012/0168483	A1	7/2012	Jambunathan et al.
2013/0140203	A1	6/2013	Chiang

FOREIGN PATENT DOCUMENTS

DE	199107205	U1	7/1991
GB	2145622		4/1985
GB	2070518		11/1997
GB	4019846		5/2011
KR	300268261		6/2000
WO	D073447		3/2010
WO	2012087152		6/2012

* cited by examiner

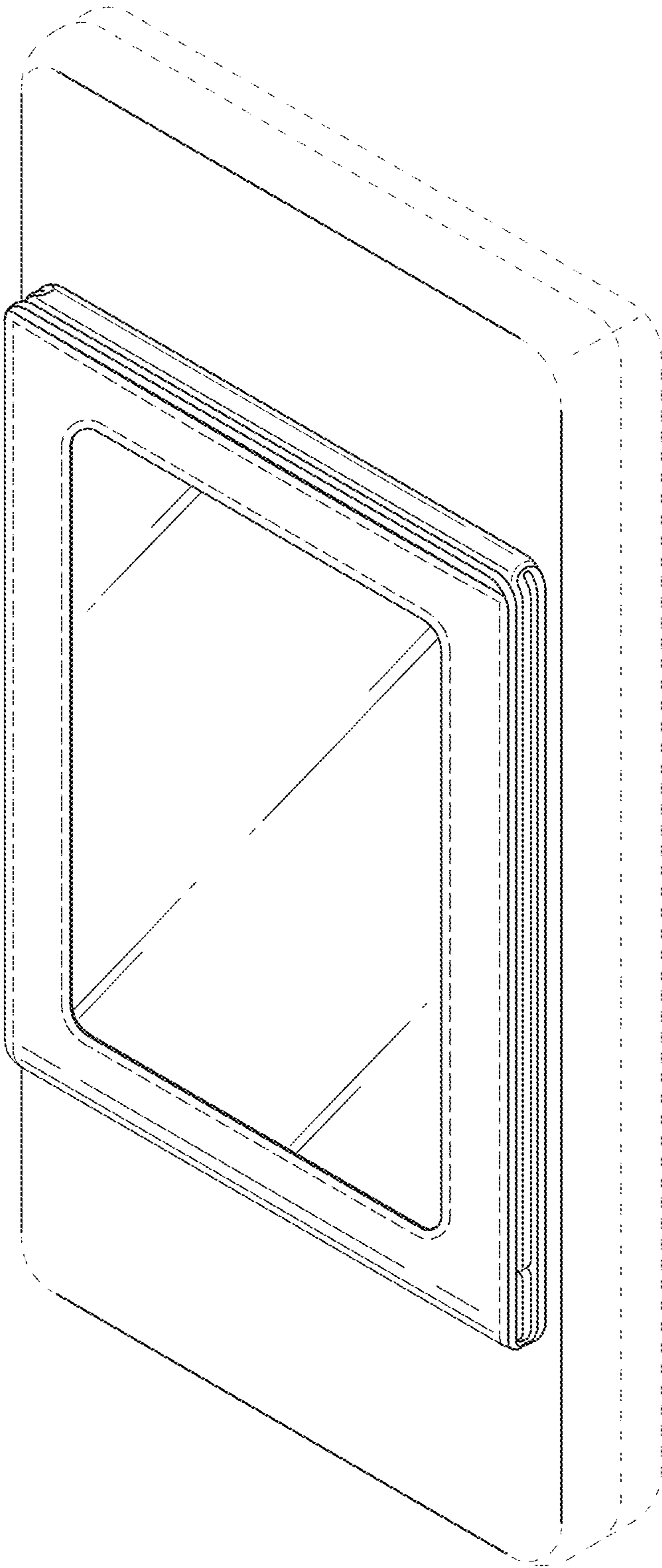


FIG. 1

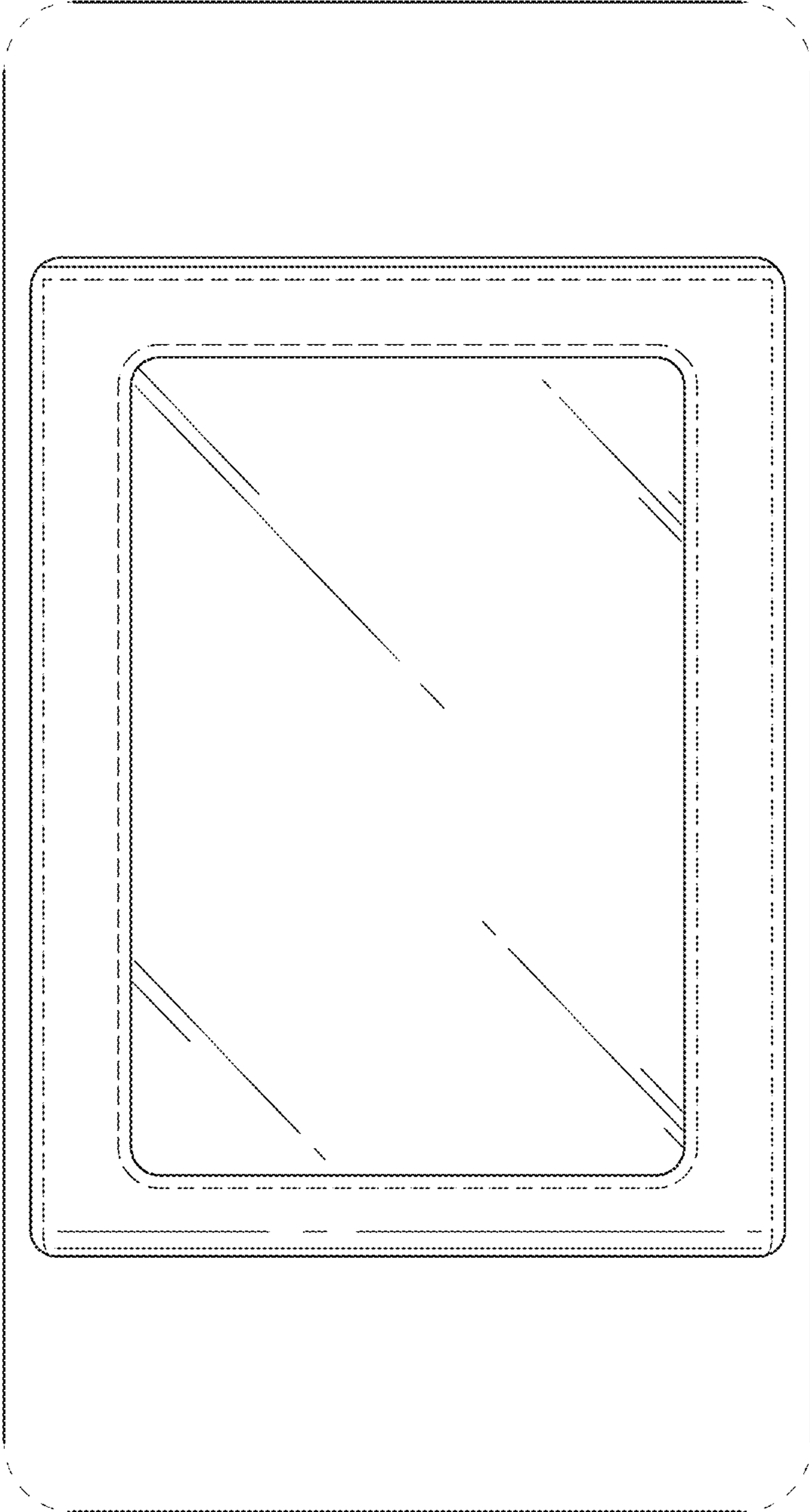


FIG. 2

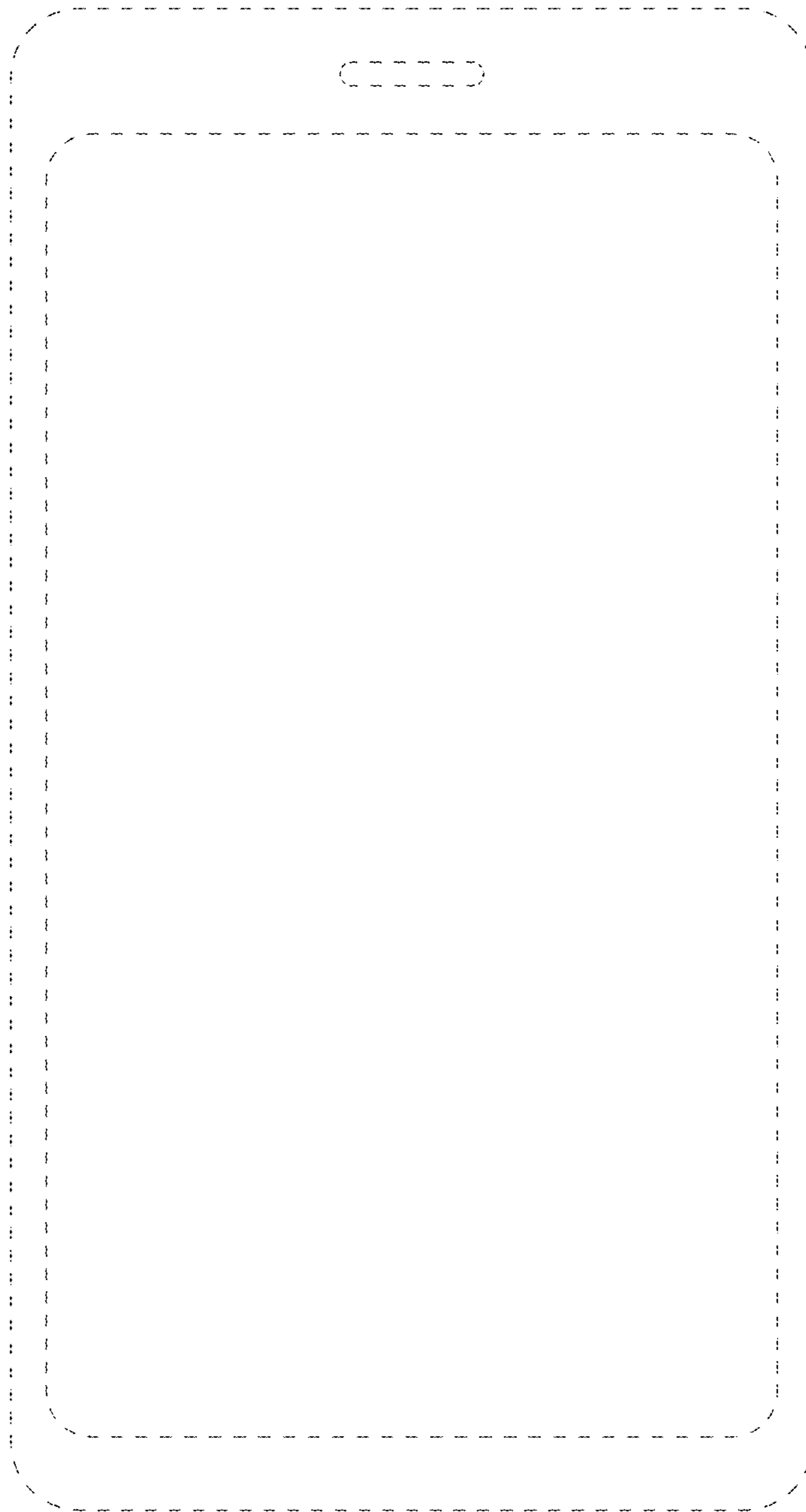


FIG. 3

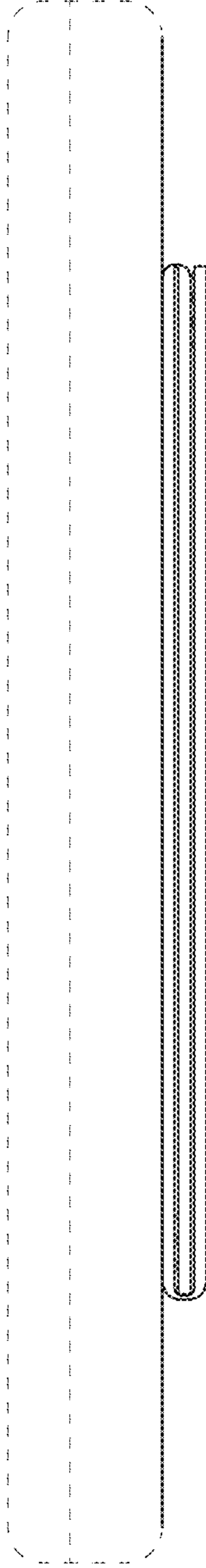


FIG. 4

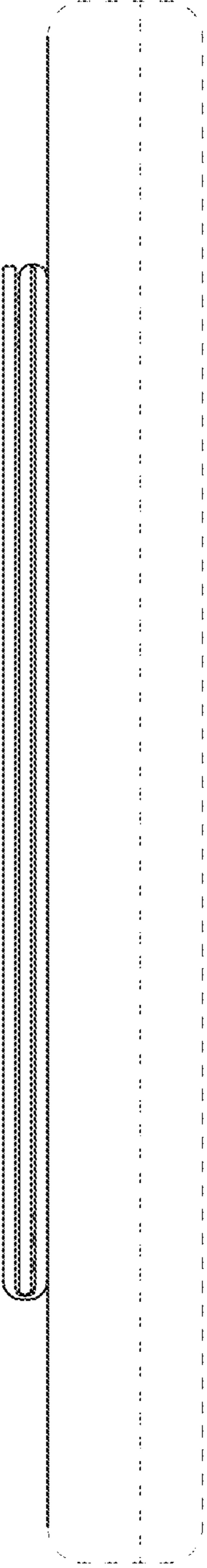


FIG. 5

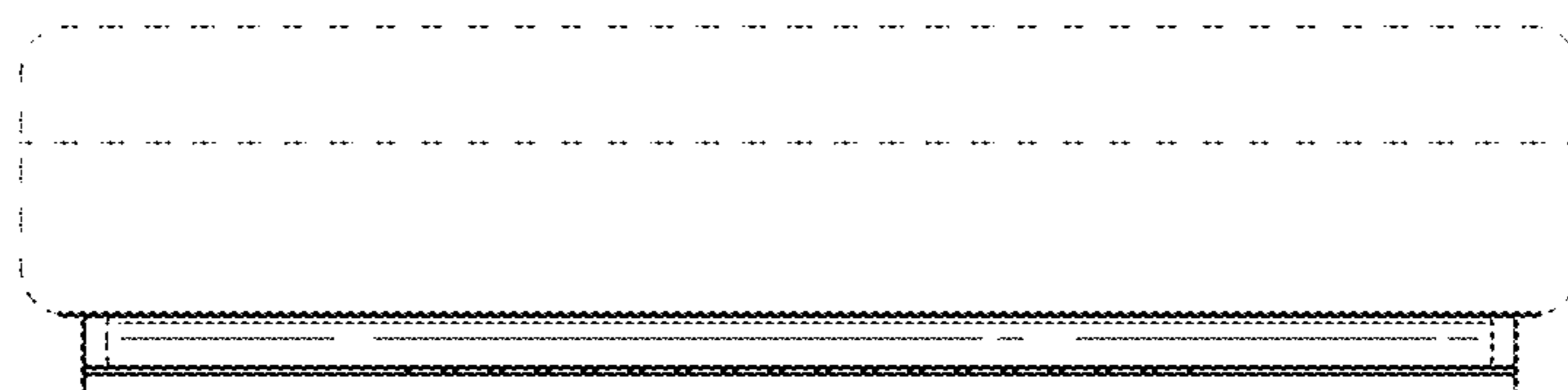


FIG. 6

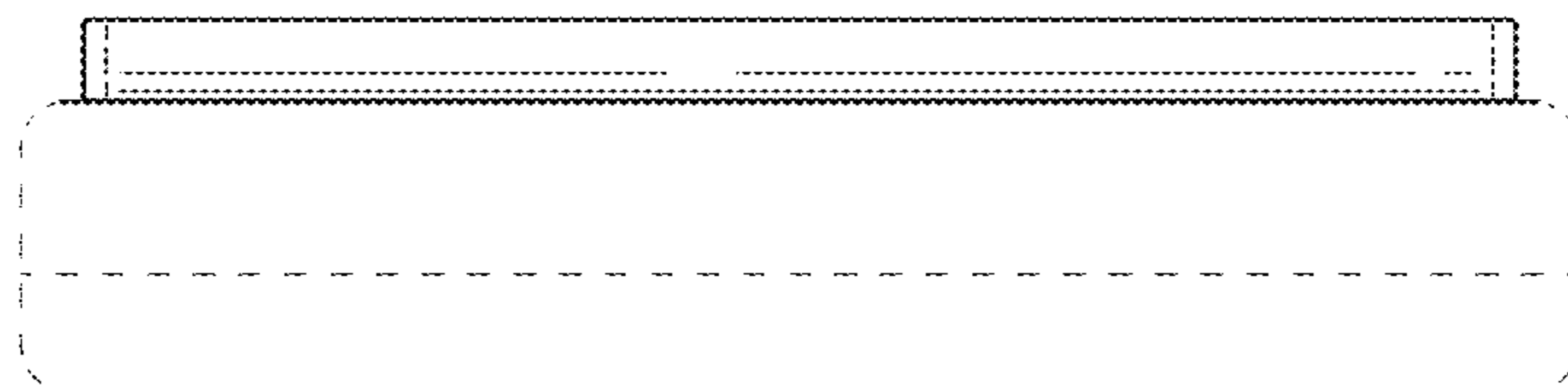


FIG. 7

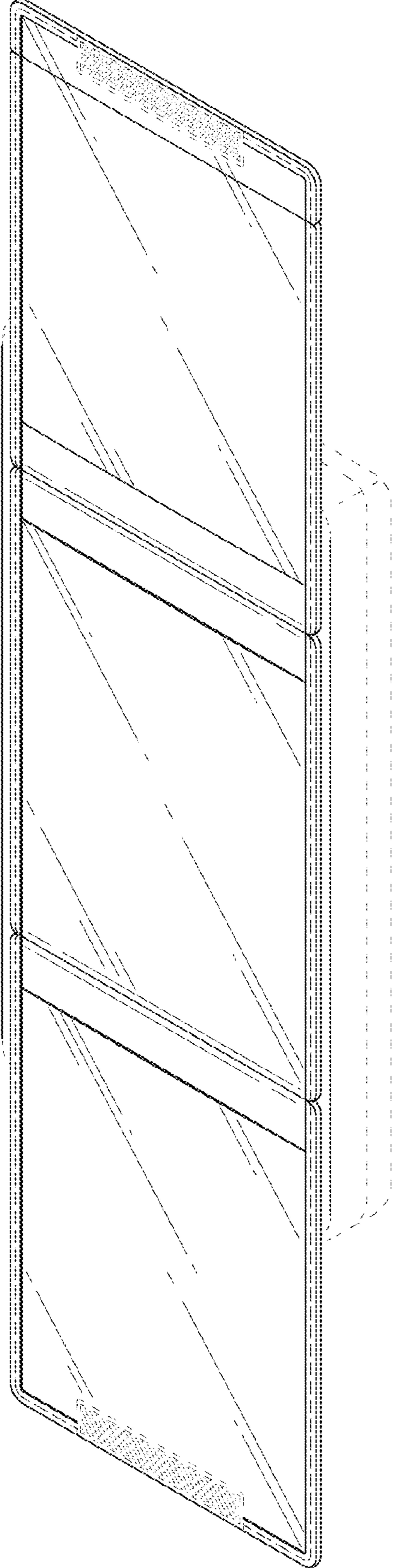


FIG. 8

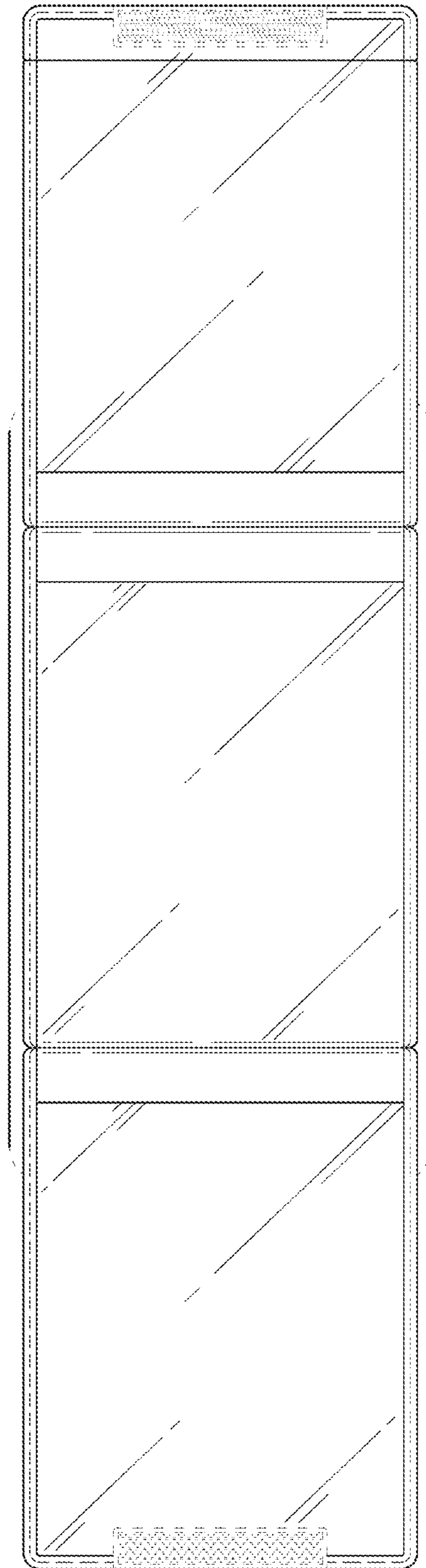


FIG. 9

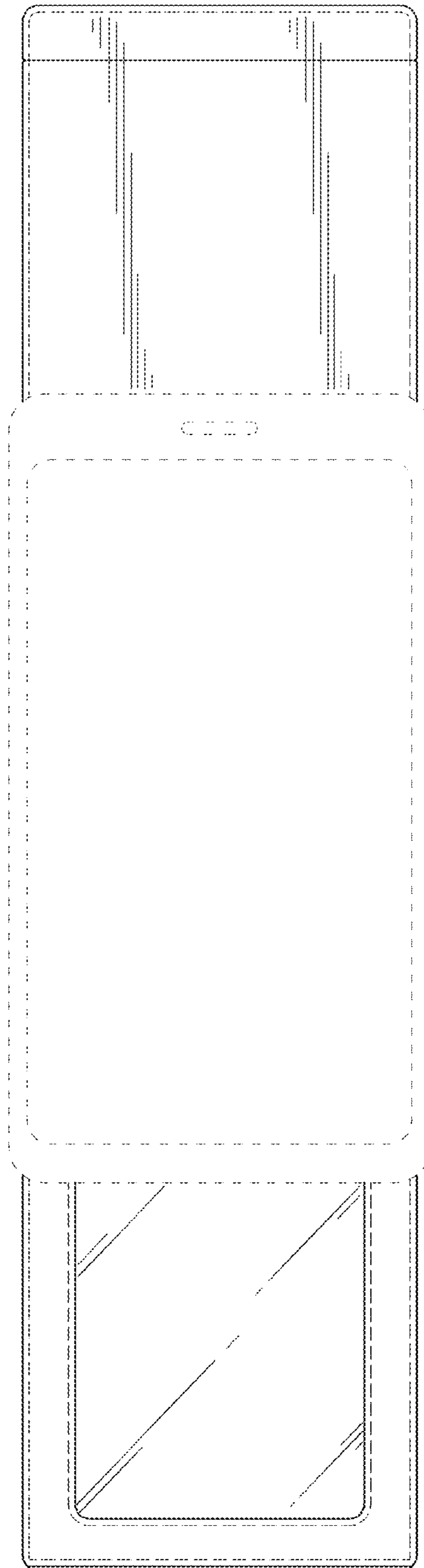


FIG. 10

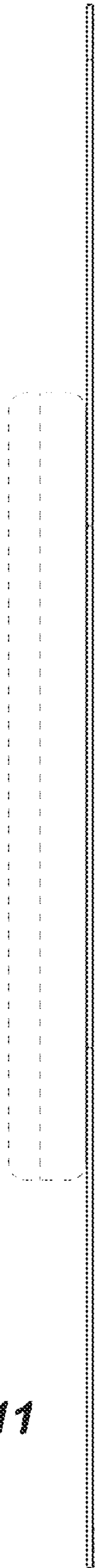


FIG. 11



FIG. 12

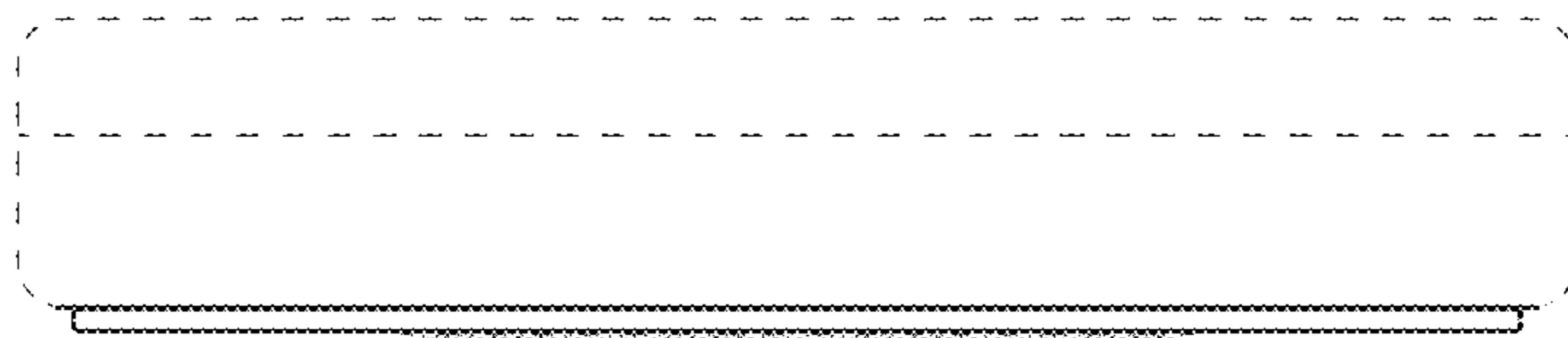


FIG. 13

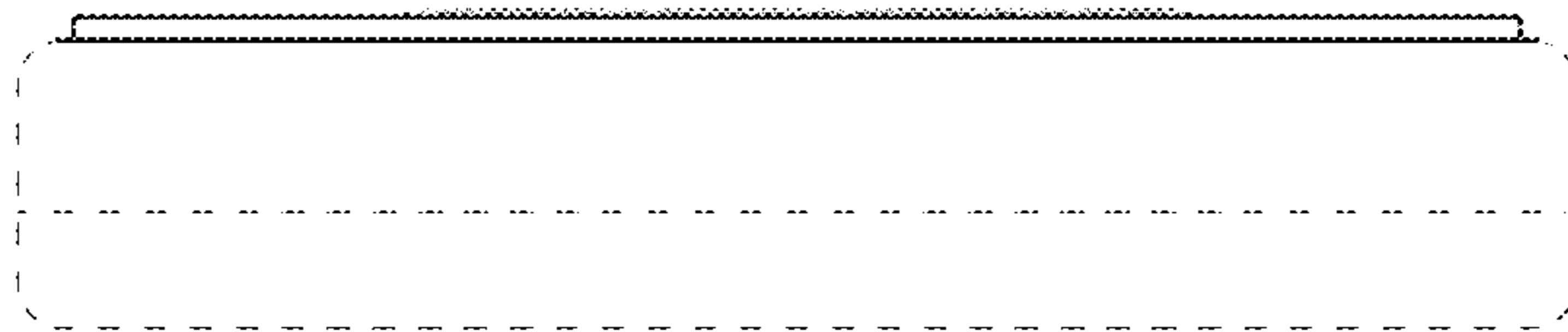


FIG. 14

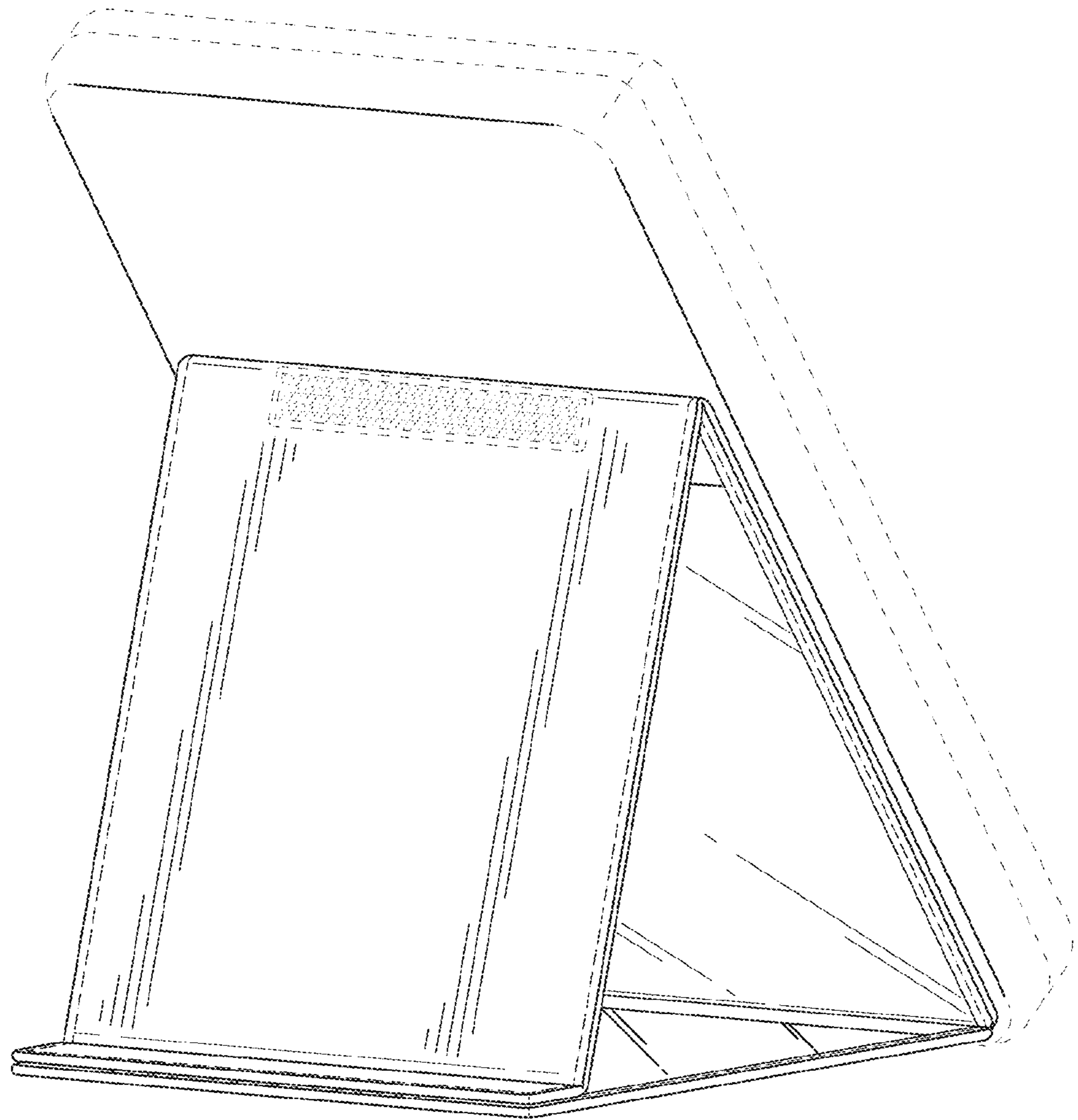


FIG. 15

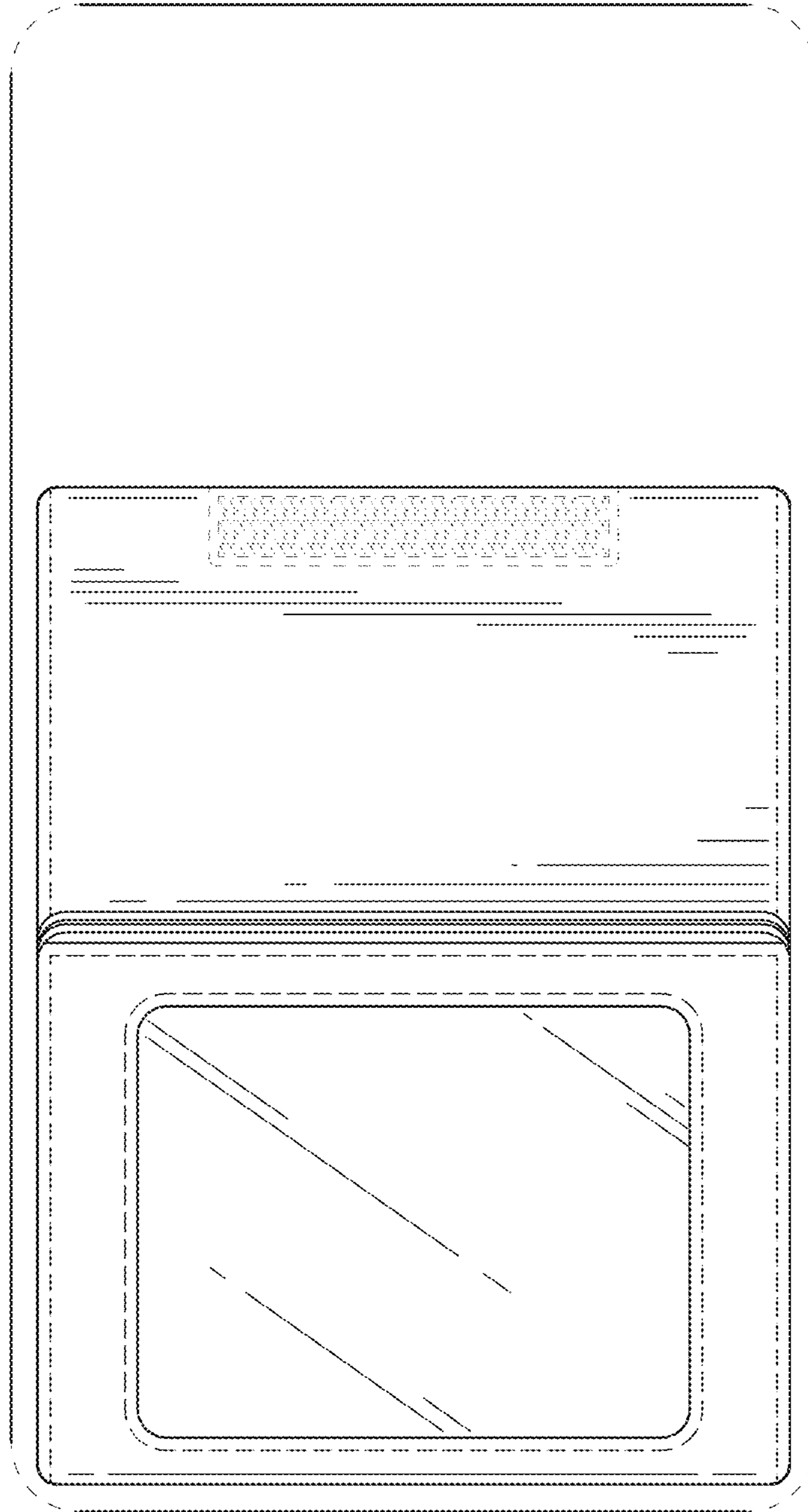


FIG. 16

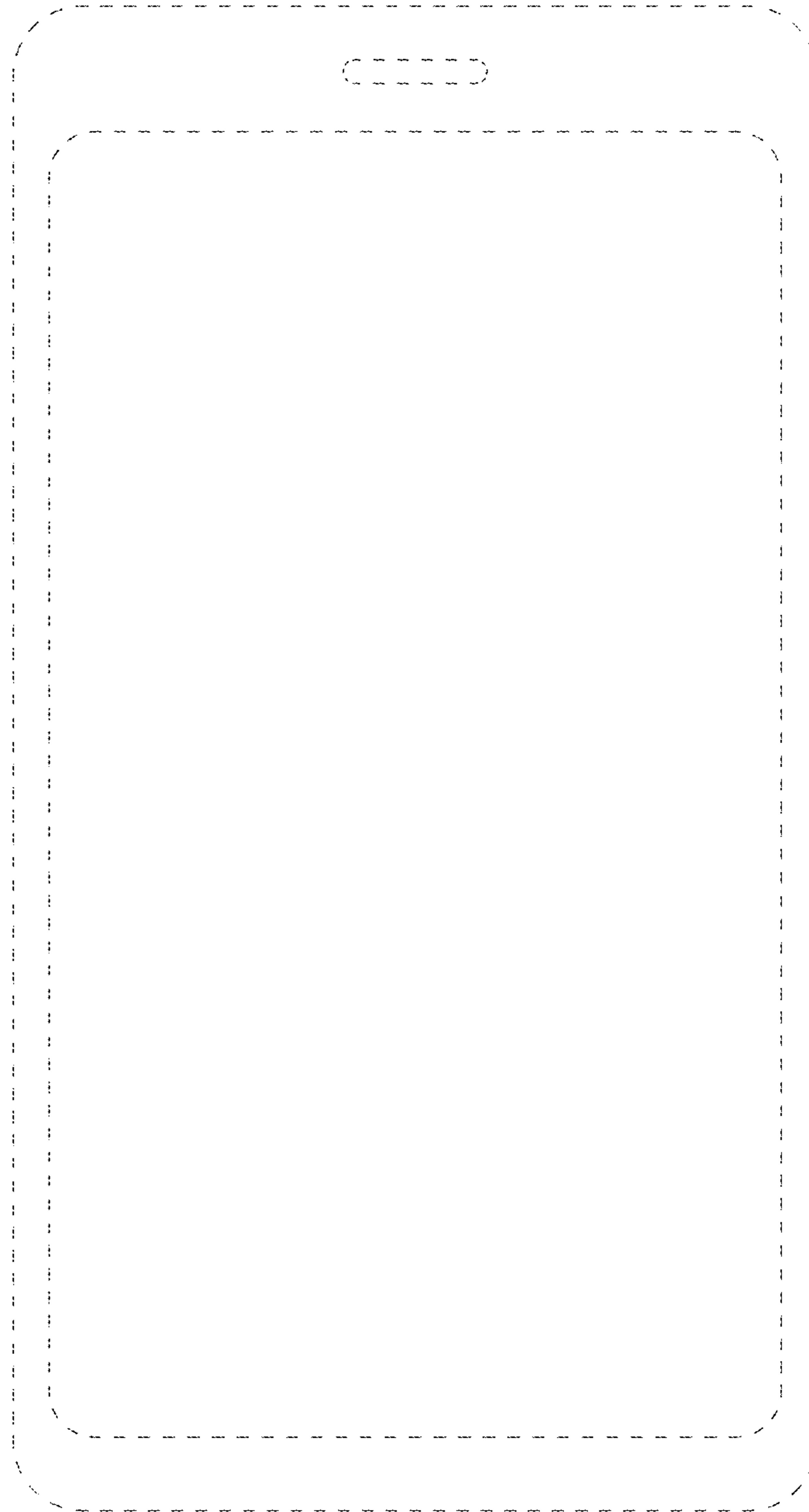


FIG. 17

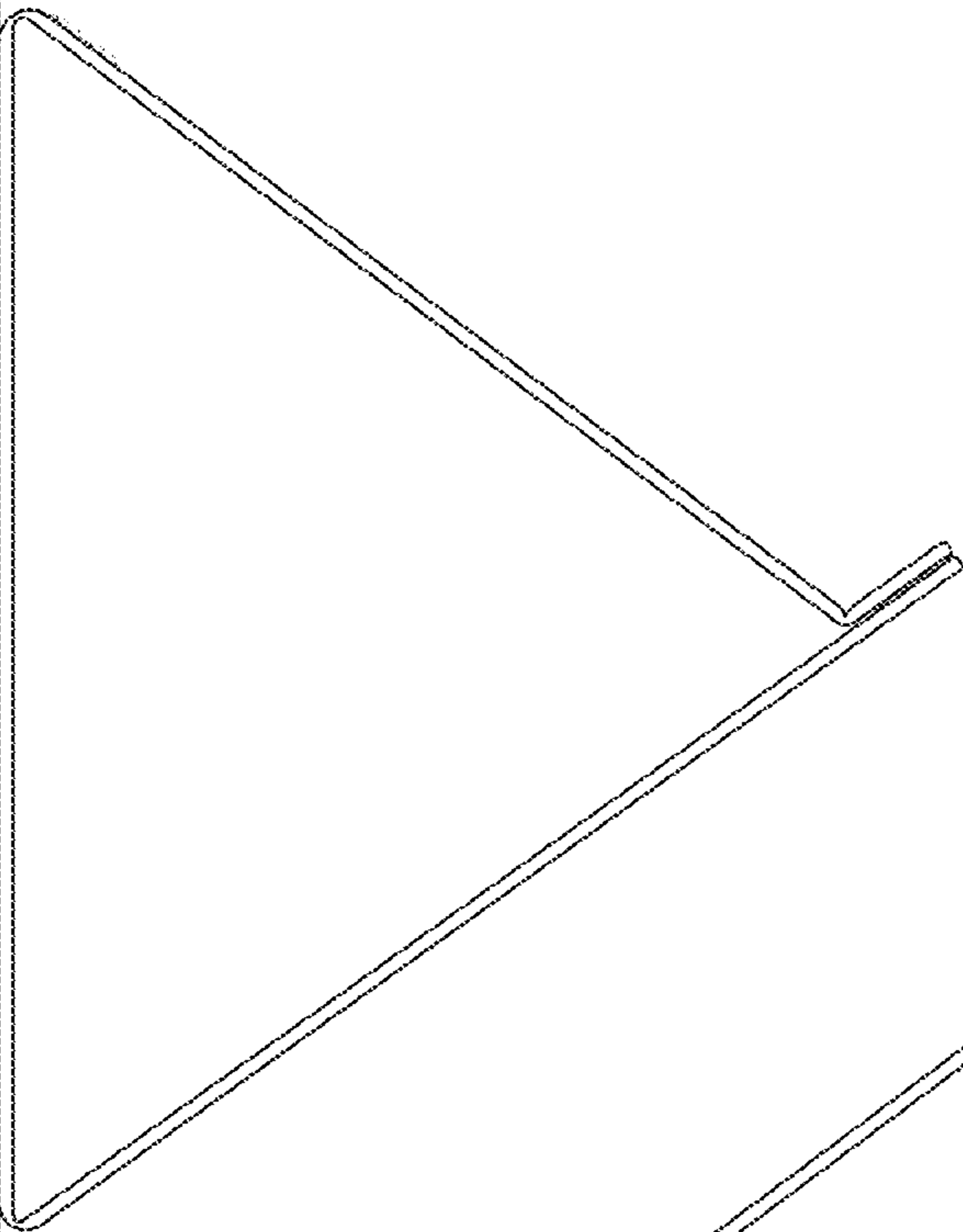
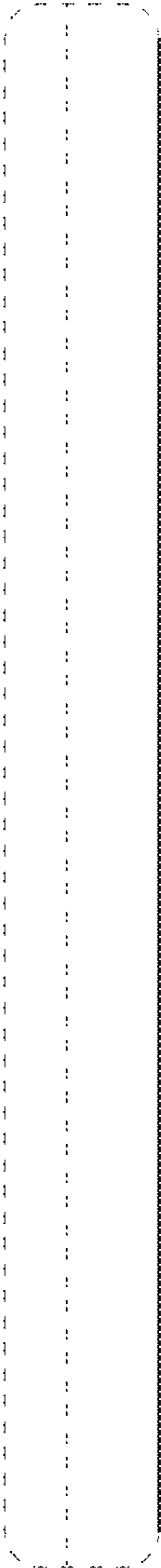


FIG. 18

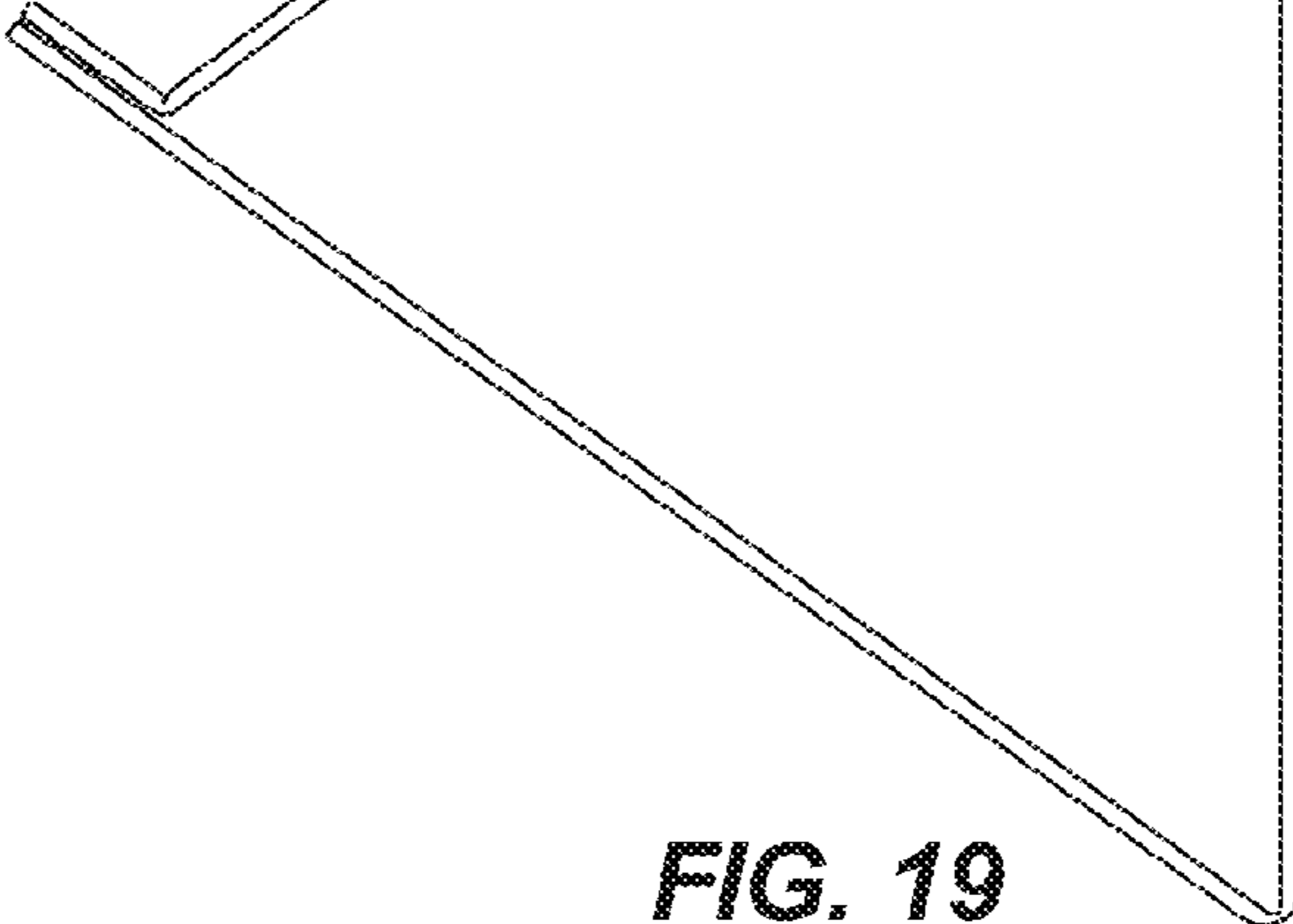
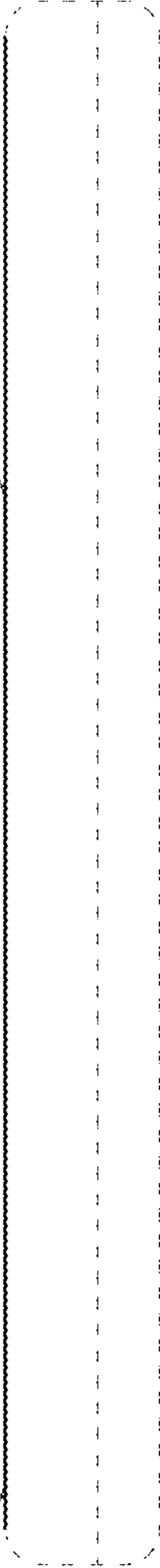


FIG. 19



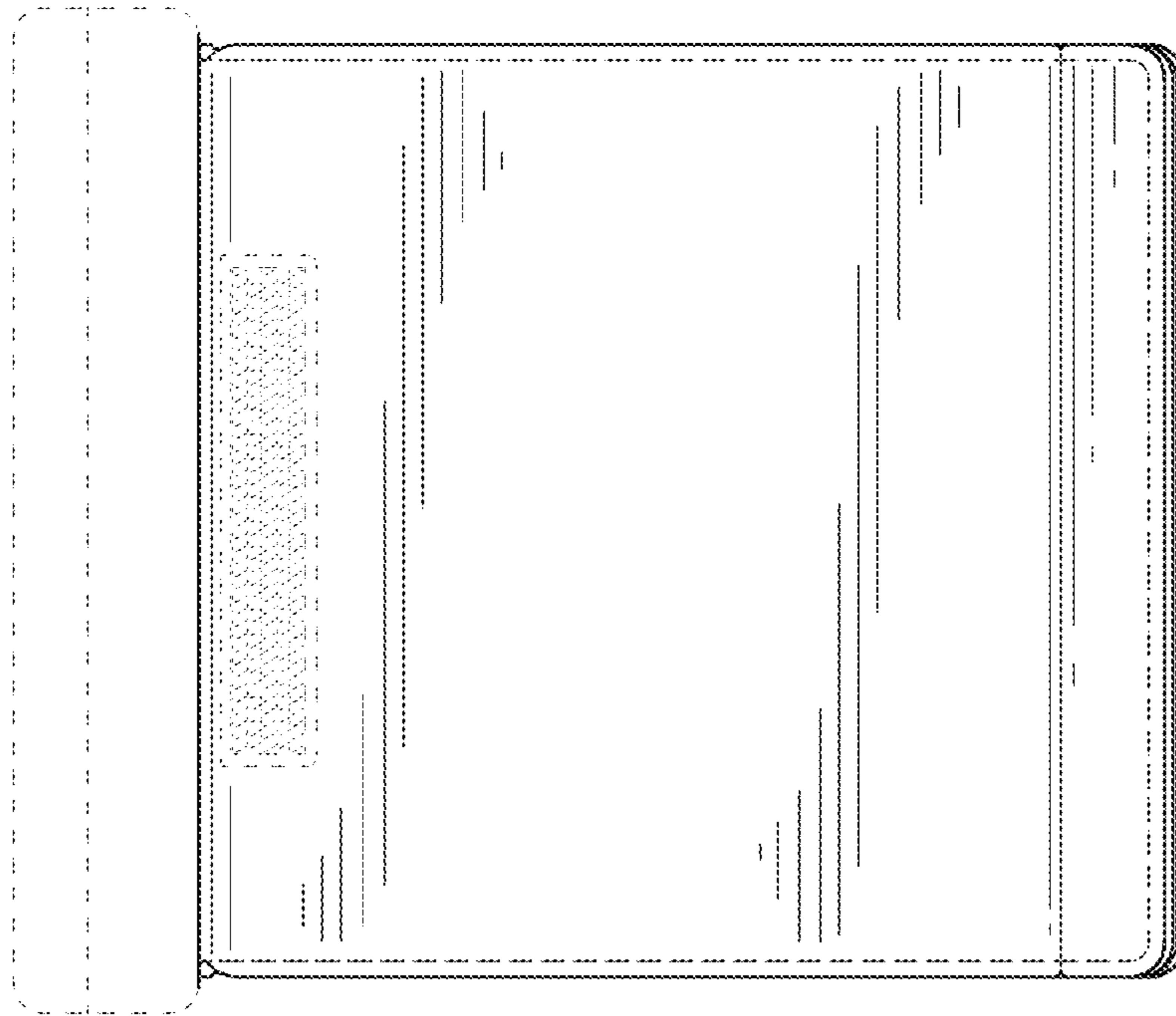


FIG. 20

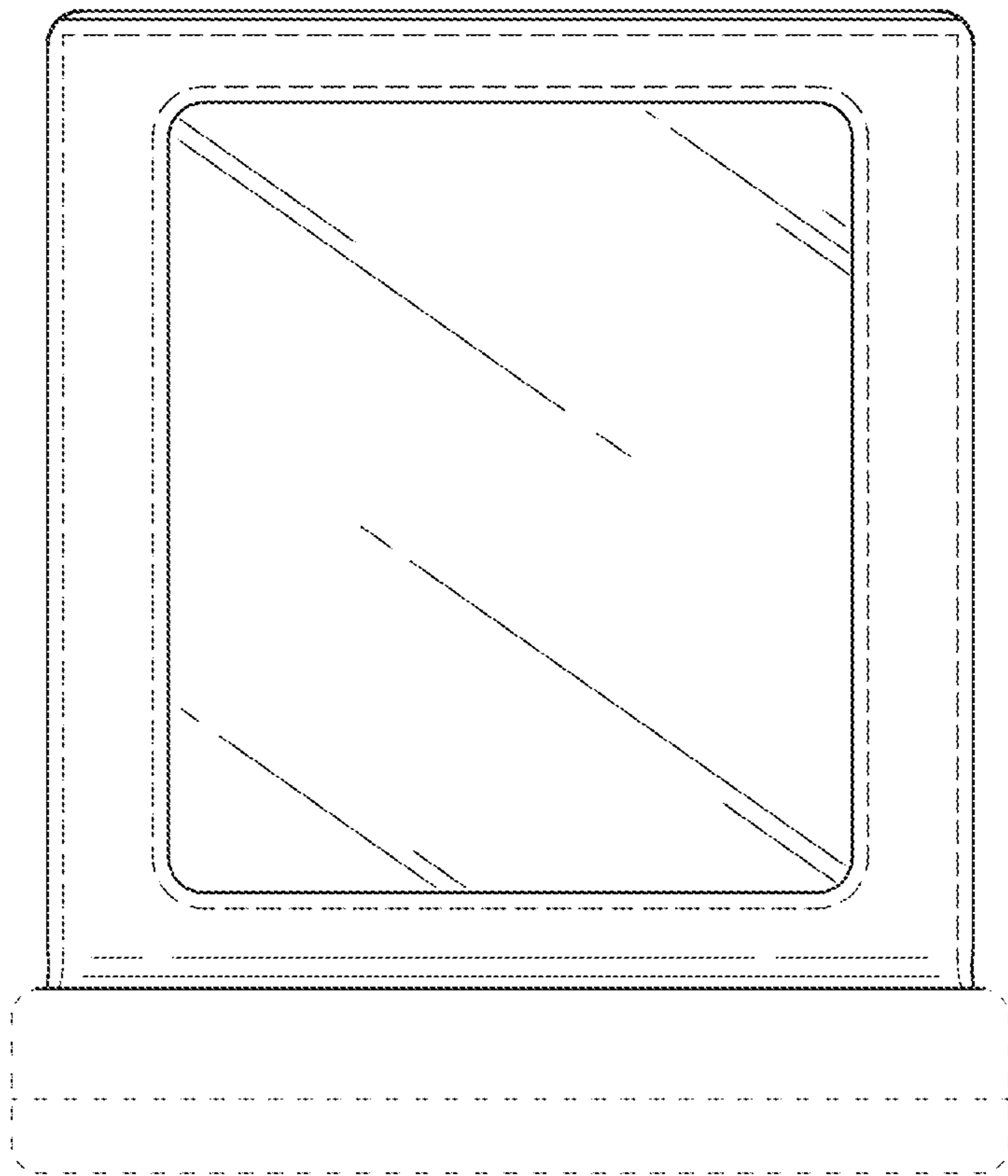


FIG. 21