



US00D755509S

(12) **United States Design Patent**  
**Yardley et al.**

(10) **Patent No.:** **US D755,509 S**  
(45) **Date of Patent:** **\*\* May 10, 2016**

(54) **LAW ENFORCEMENT DEFENSE KNIFE AND HOLSTER**

(71) Applicant: **SpearPoint Technologies, LLC**, New Hill, NC (US)

(72) Inventors: **Jason John Yardley**, Fuquay-Varina, NC (US); **Billy Brandon Gartin**, Garner, NC (US)

(73) Assignee: **Spearpoint Technologies, LLC**, New Hill, NC (US)

(\*\*) Term: **14 Years**

(21) Appl. No.: **29/511,872**

(22) Filed: **Dec. 15, 2014**

(51) **LOC (10) Cl.** ..... **03-01**

(52) **U.S. Cl.**  
USPC ..... **D3/220**

(58) **Field of Classification Search**  
USPC ..... D3/220, 215; D22/117; 224/218, 232, 224/914; 30/151  
CPC ..... A45F 5/00; A45F 5/14; A45F 5/021; A45F 2003/006; B26B 29/025  
See application file for complete search history.

(56) **References Cited**

U.S. PATENT DOCUMENTS

D251,569	S	*	4/1979	Johnson	.....	D3/220
4,961,523	A	*	10/1990	Stimac	.....	B26B 29/025
						224/232
6,378,745	B1	*	4/2002	De Luccia	.....	A45F 5/00
						224/218
D540,032	S	*	4/2007	deDoes	.....	D3/220
D637,392	S	*	5/2011	Marshall	.....	D3/215
8,887,971	B2	*	11/2014	Hou	.....	A45F 5/14
						224/232

OTHER PUBLICATIONS

Canadian Office Action for Application No. 162510 dated Oct. 22, 2015.

\* cited by examiner

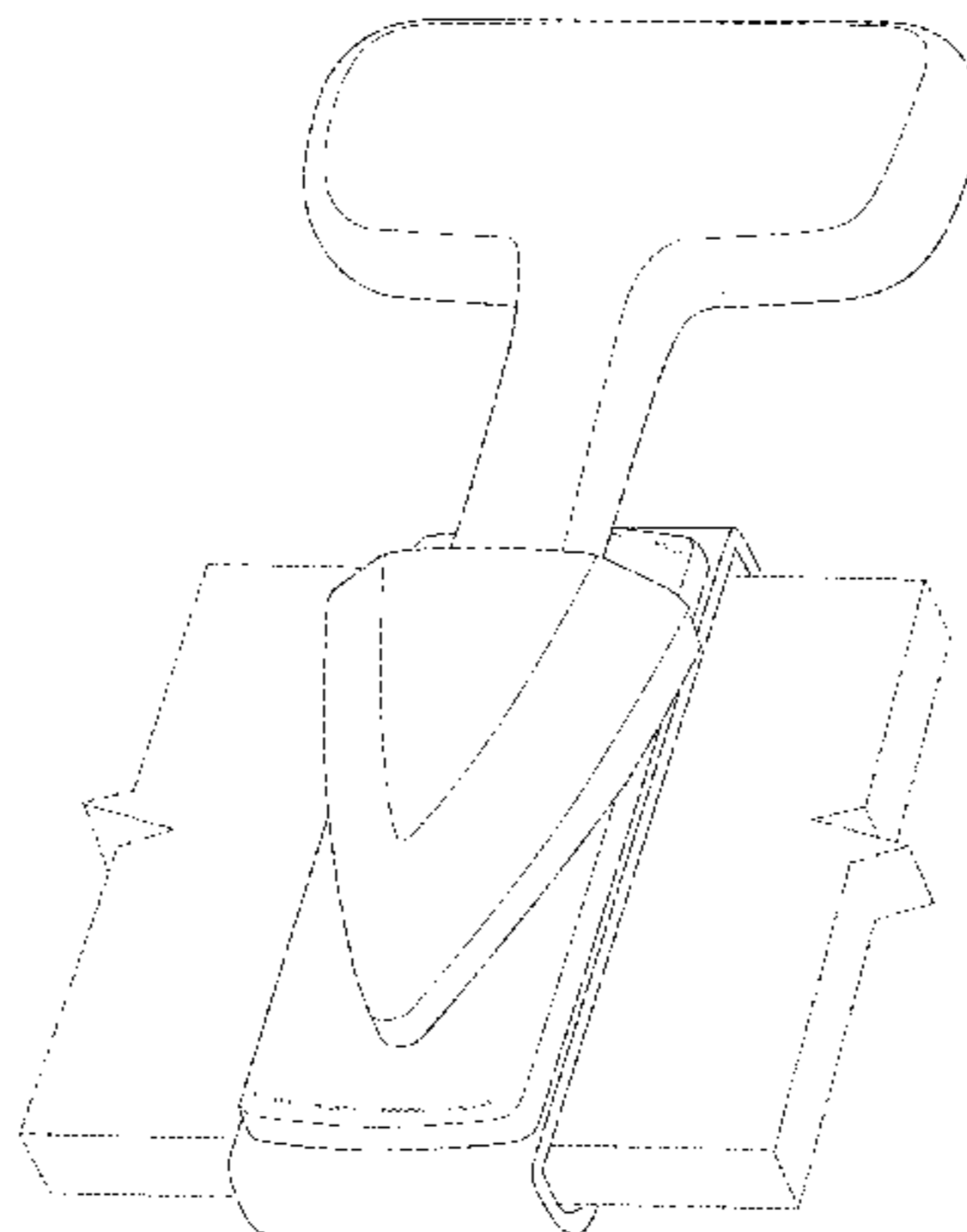
*Primary Examiner* — Catheri Oliver-Garcia  
(74) *Attorney, Agent, or Firm* — Jenkins, Wilson, Taylor & Hunt, P.A.

(57) **CLAIM**  
The ornamental design for law enforcement defense knife and holster, as shown and described.

**DESCRIPTION**

FIG. 1 is a front perspective view of a first embodiment of the law enforcement defense knife and holster showing our new design;  
FIG. 2 is a front elevation view of FIG. 1;  
FIG. 3 is a rear elevation view of FIG. 1;  
FIG. 4 is a left side elevation view of FIG. 1 (note the right side is a mirror image);  
FIG. 5 is a top plan view of FIG. 1;  
FIG. 6 is a bottom plan view of FIG. 1;  
FIG. 7 is an exploded view of FIG. 1, showing the holster in a fastened position;  
FIG. 8 is a front perspective view thereof, and showing the holster in an unfastened position, and showing the knife sheathed inside the holster;  
FIG. 9 is a front elevation view of FIG. 8;  
FIG. 10 is a rear elevation view of FIG. 8;  
FIG. 11 is a left side elevation view of FIG. 8 (note the right side is a mirror image);  
FIG. 12 is a top plan view of FIG. 8;  
FIG. 13 is a bottom plan view of FIG. 8;  
FIG. 14 is an exploded view of FIG. 1, showing the holster in an unfastened position;  
FIG. 15 is a front perspective view of the knife of FIGS. 1 and 7;  
FIG. 16 is a left side elevation view of FIG. 15 (note the right side is a mirror image);  
FIG. 17 is a top plan view of FIG. 15;  
FIG. 18 is a bottom plan view of FIG. 15;  
FIG. 19 is a right side elevation view of a second embodiment of the law enforcement defense knife and holster;  
FIG. 20 is a front elevation view of FIG. 19, showing the holster in an unfastened position;  
FIG. 21 is a rear elevation view of FIG. 19, showing the holster in an unfastened position; and,  
FIG. 22 is a left side elevation view of FIG. 19, showing the holster in an unfastened position (note the right side is a mirror image).  
The broken lines showing a belt in the drawings depict environmental structure and form no part of the claimed design.

**1 Claim, 16 Drawing Sheets**



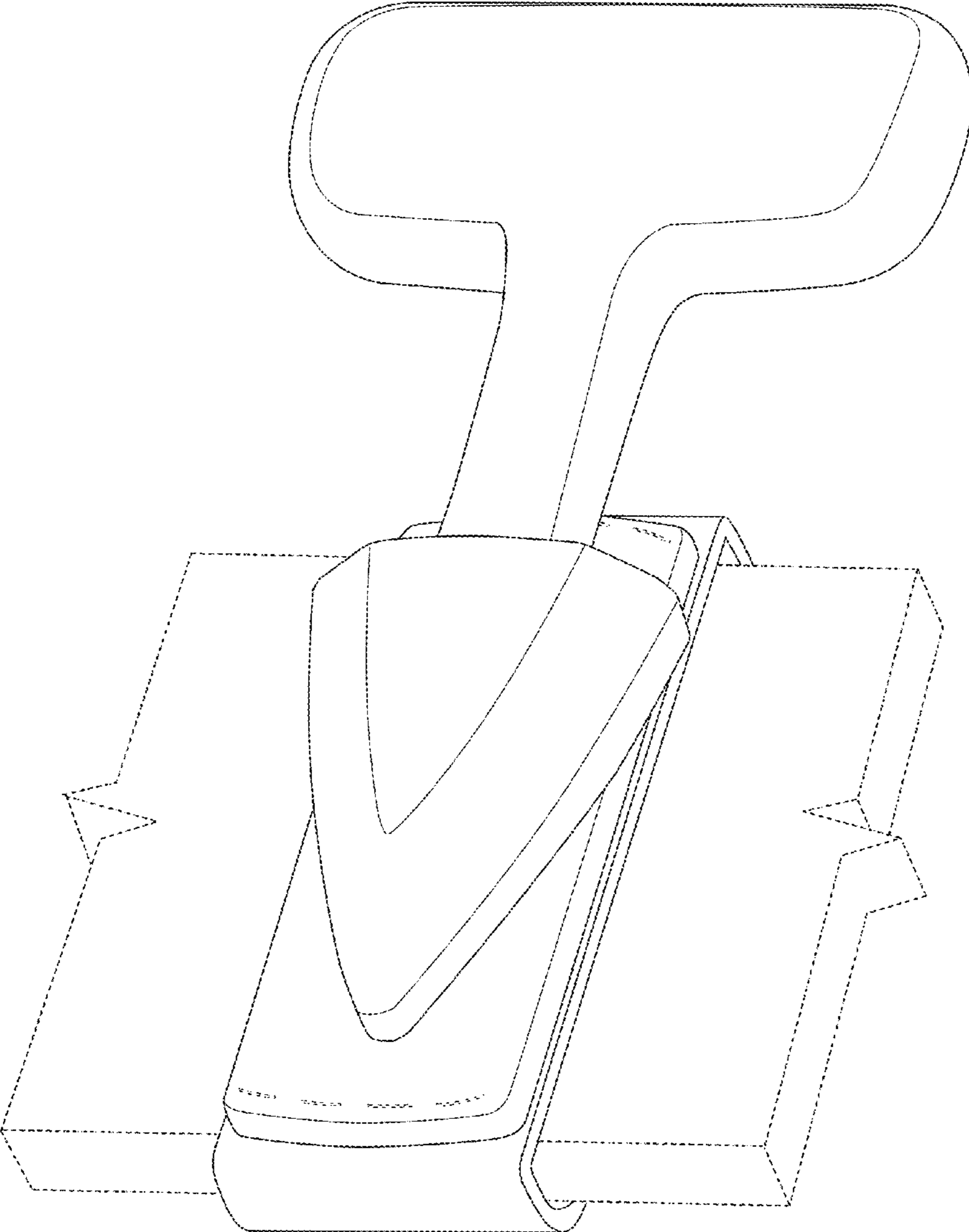


FIG. 1

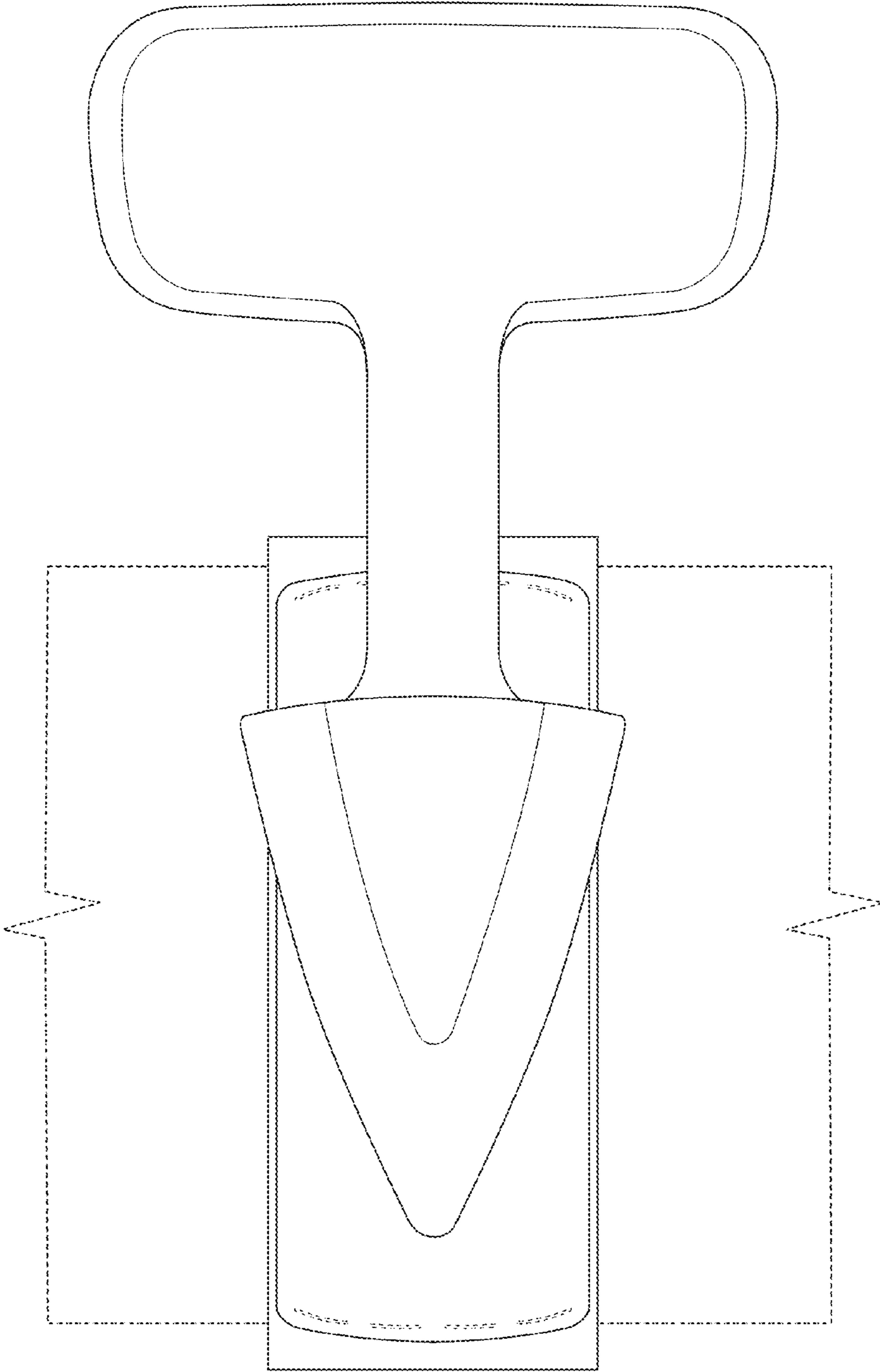


FIG. 2

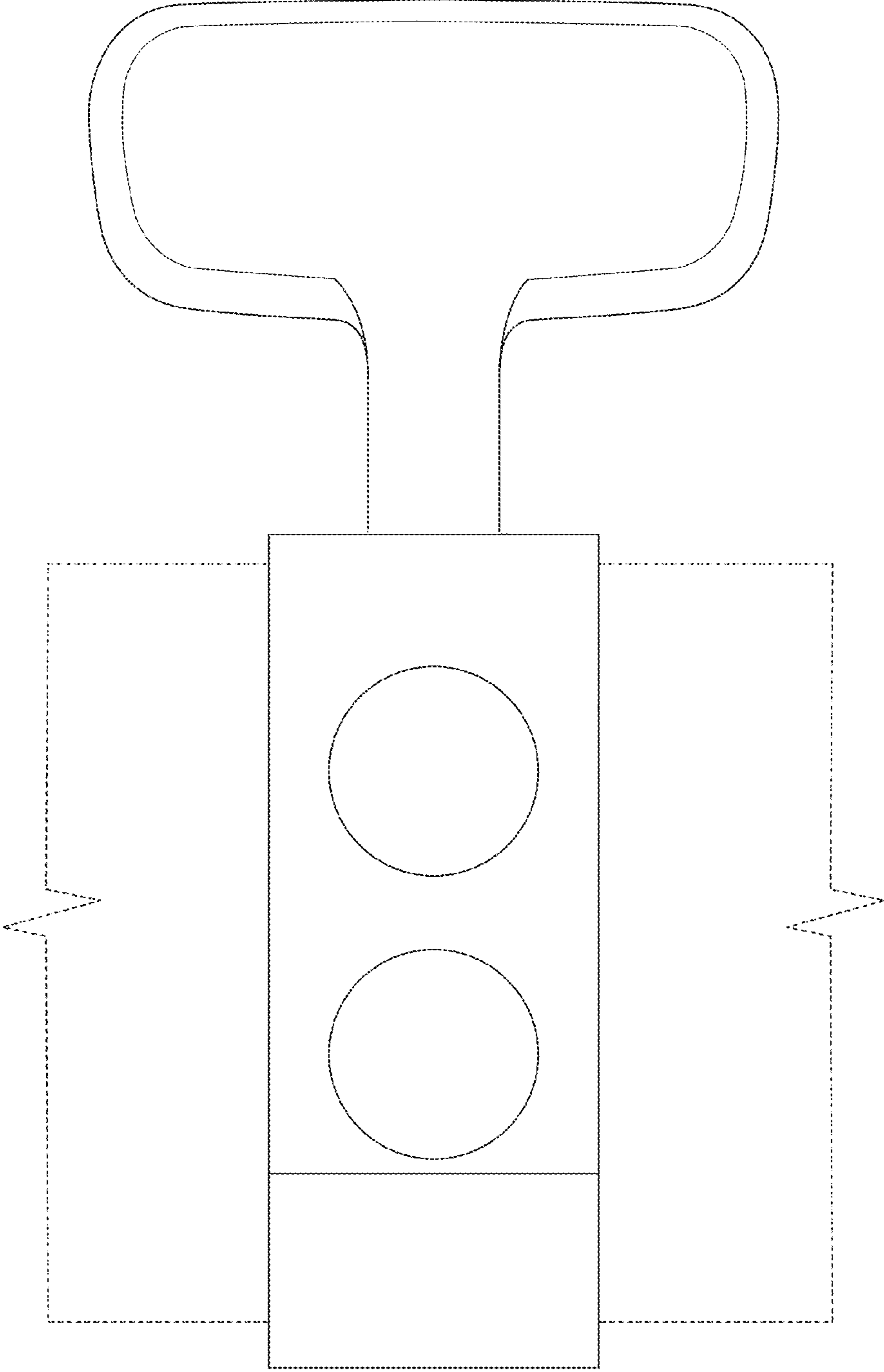


FIG. 3

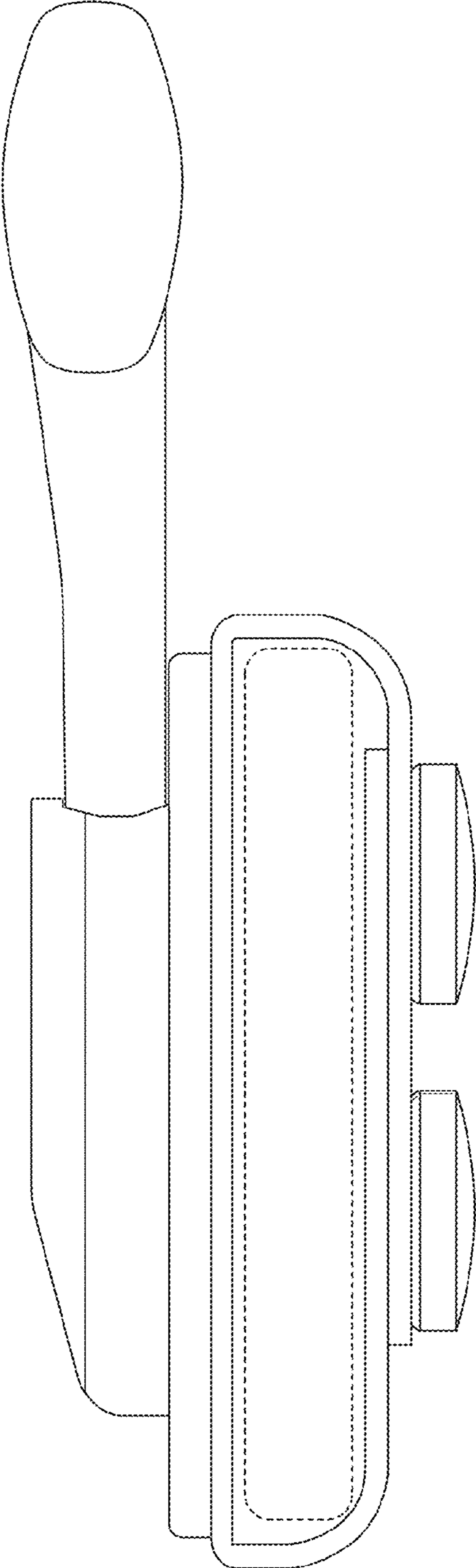


FIG. 4

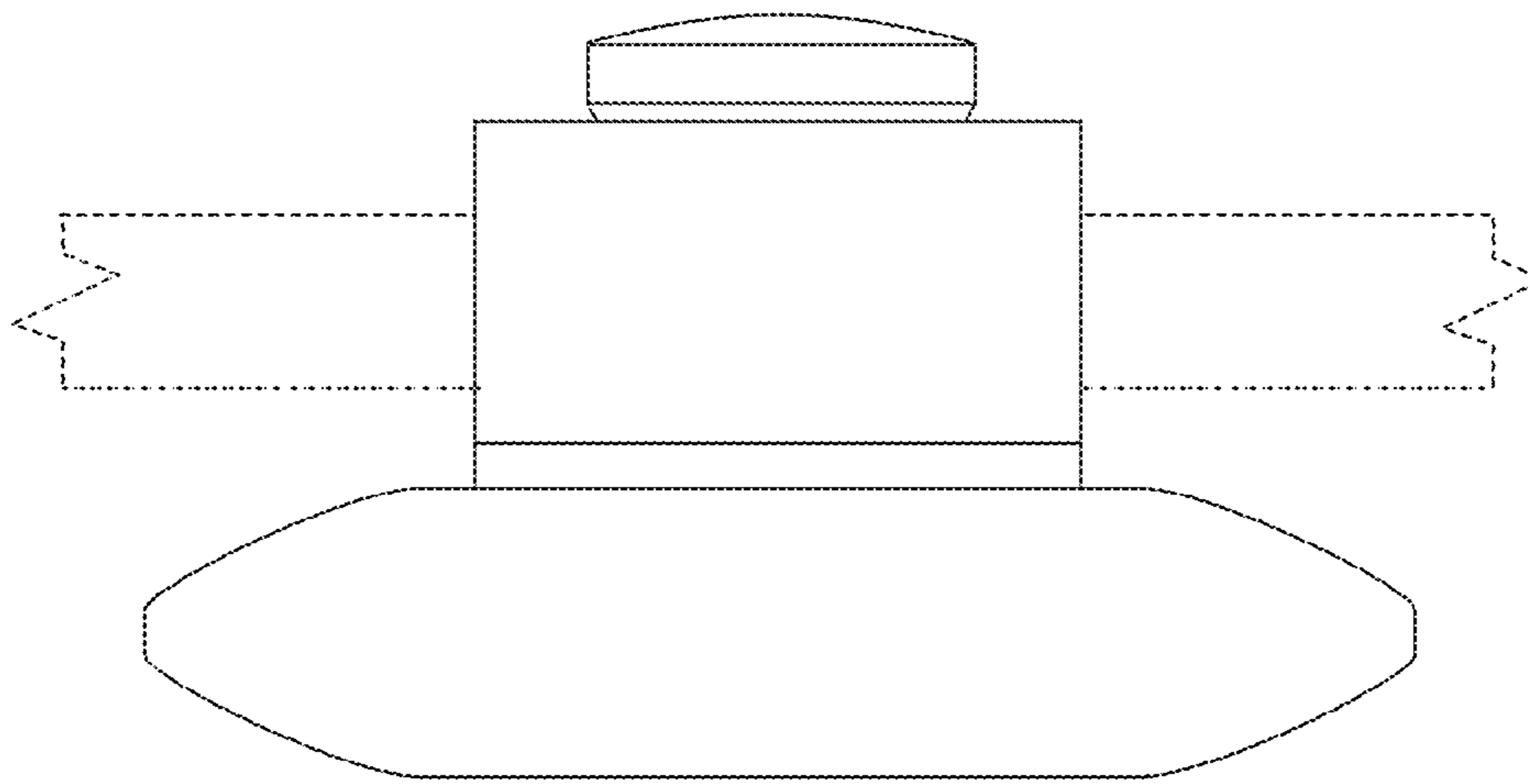


FIG. 5

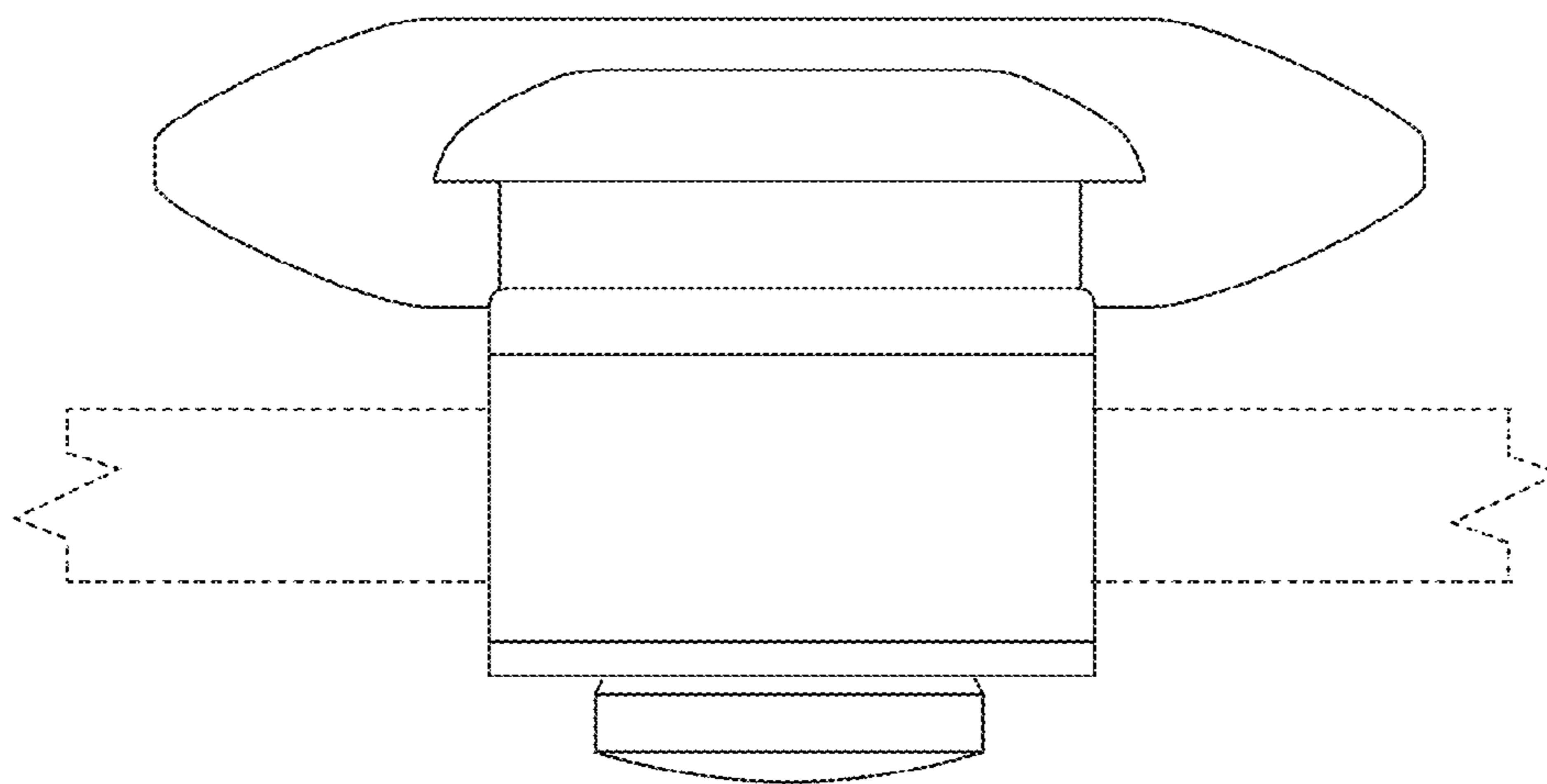
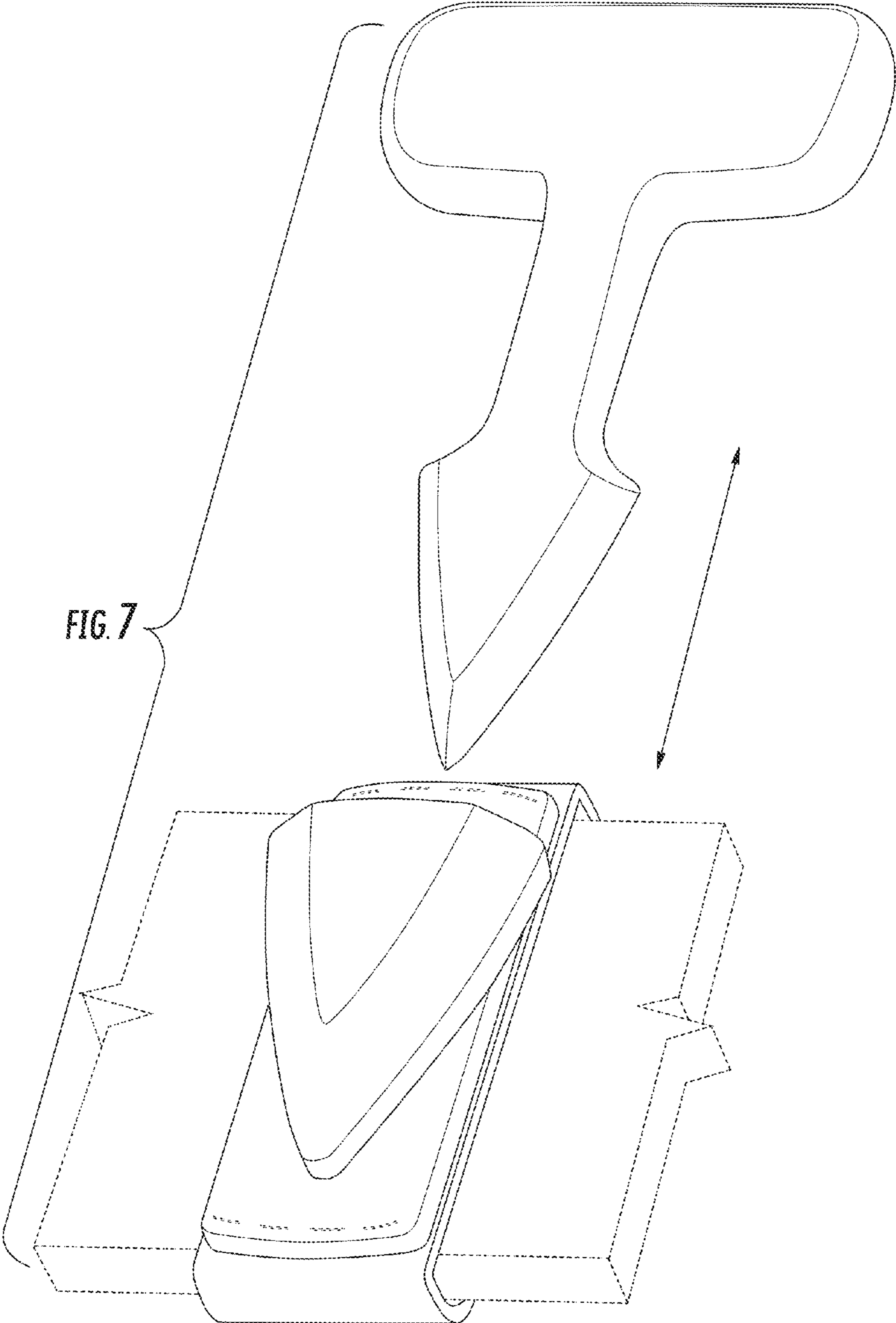


FIG. 6





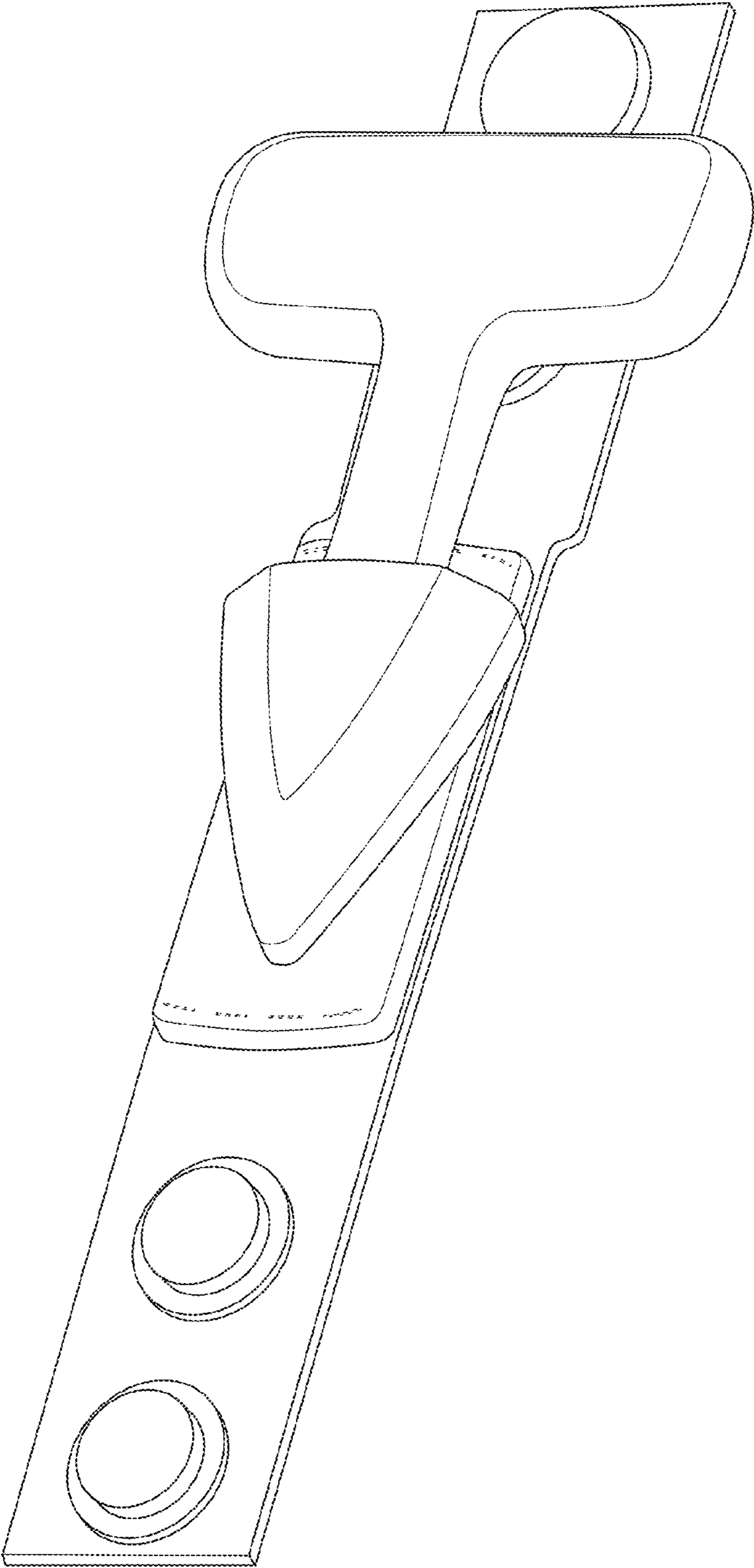


FIG. 8



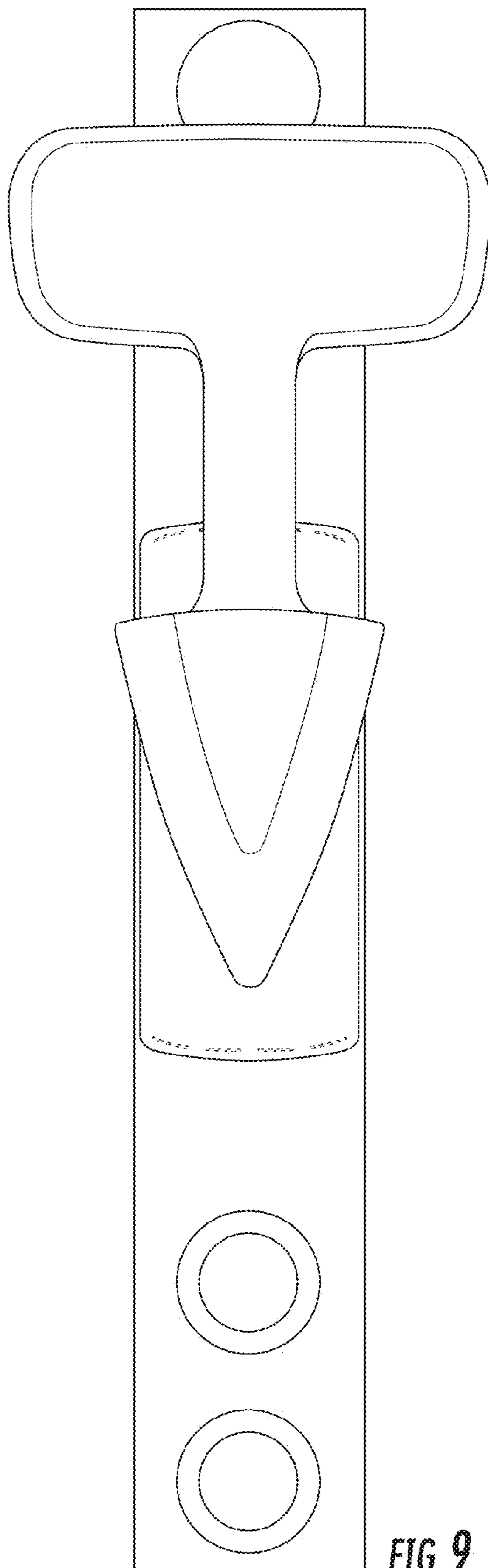
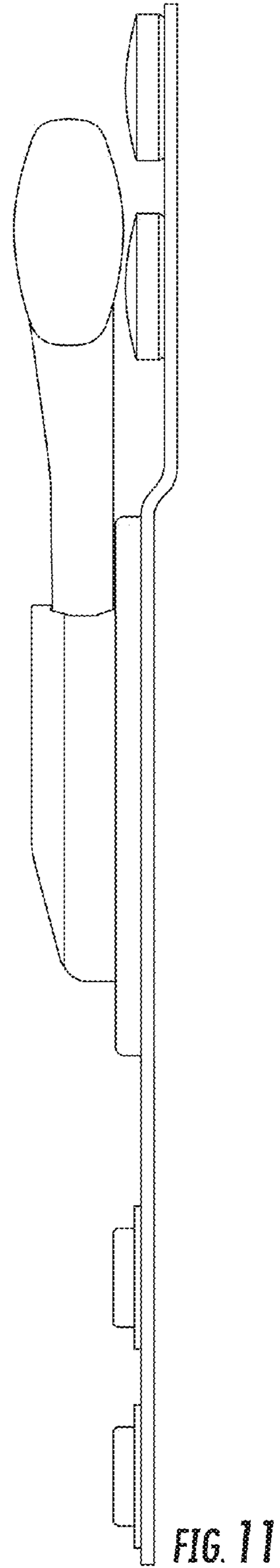
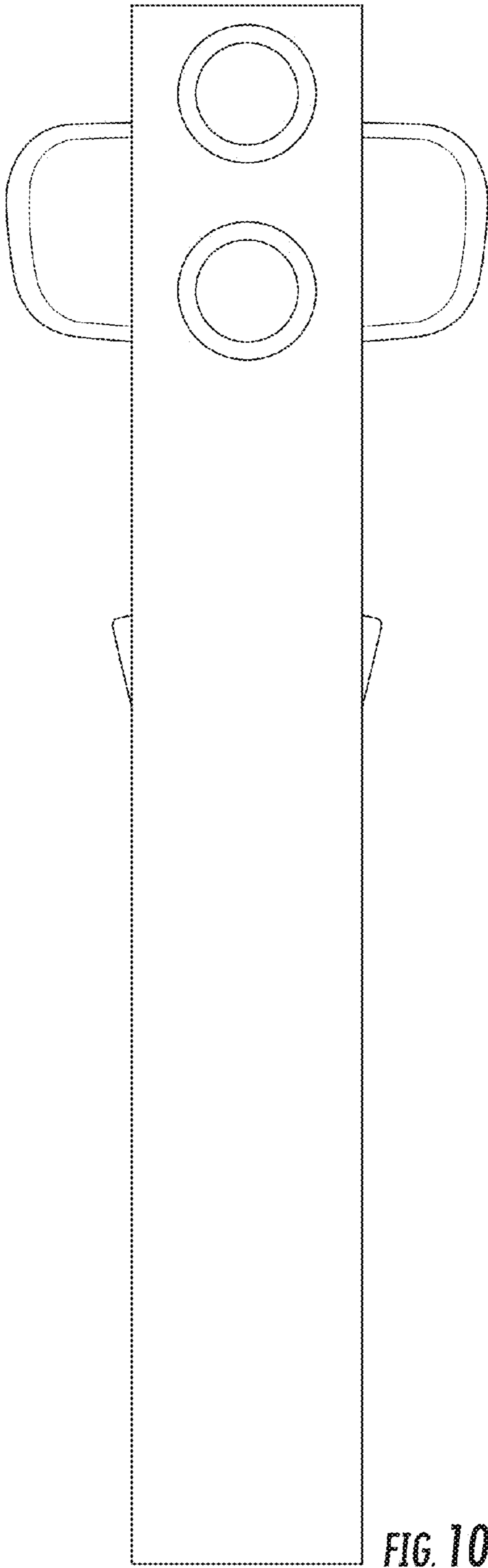


FIG. 9



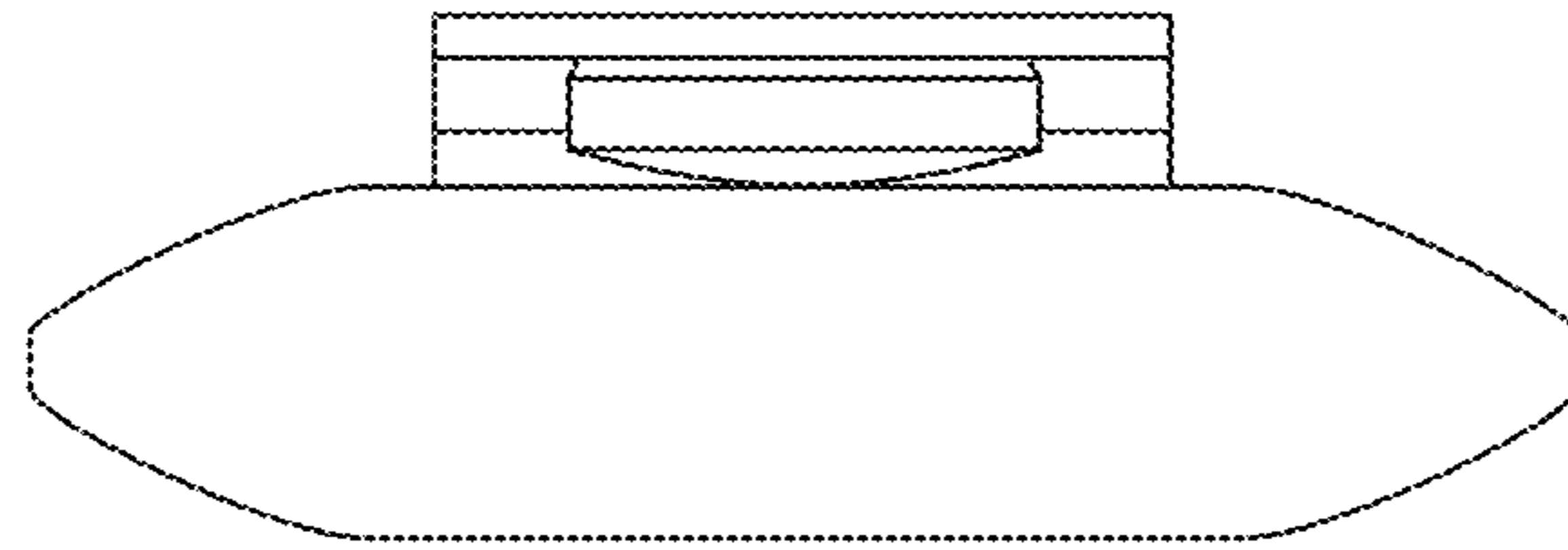


FIG. 12

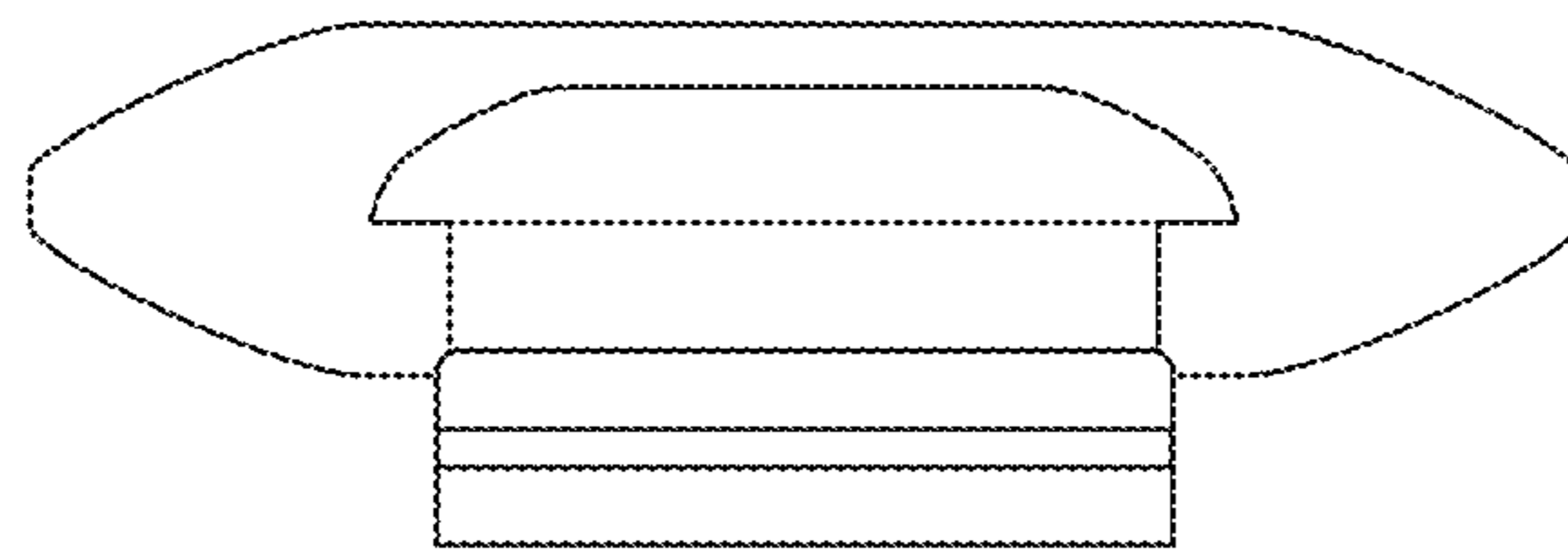
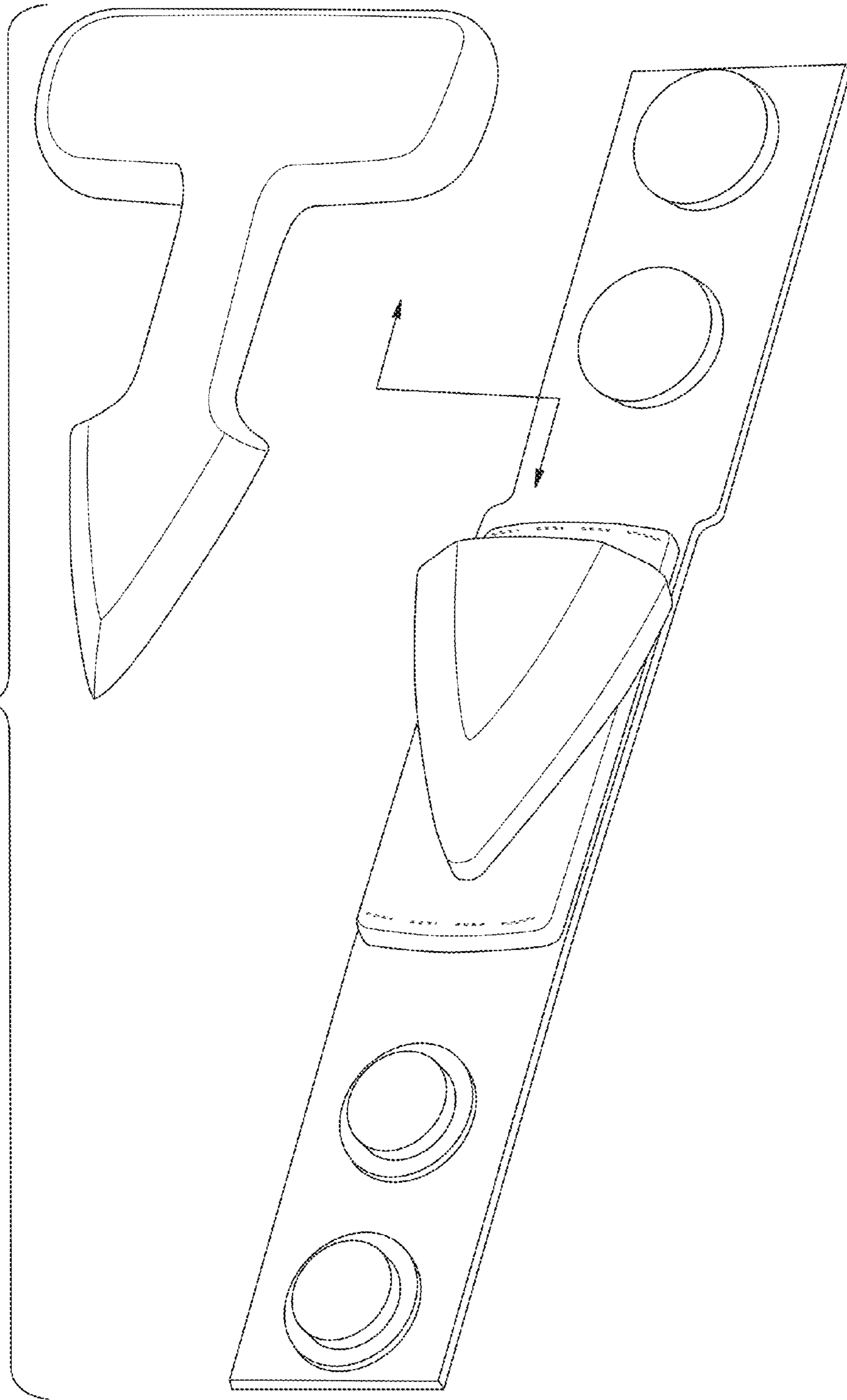


FIG. 13

FIG. 14



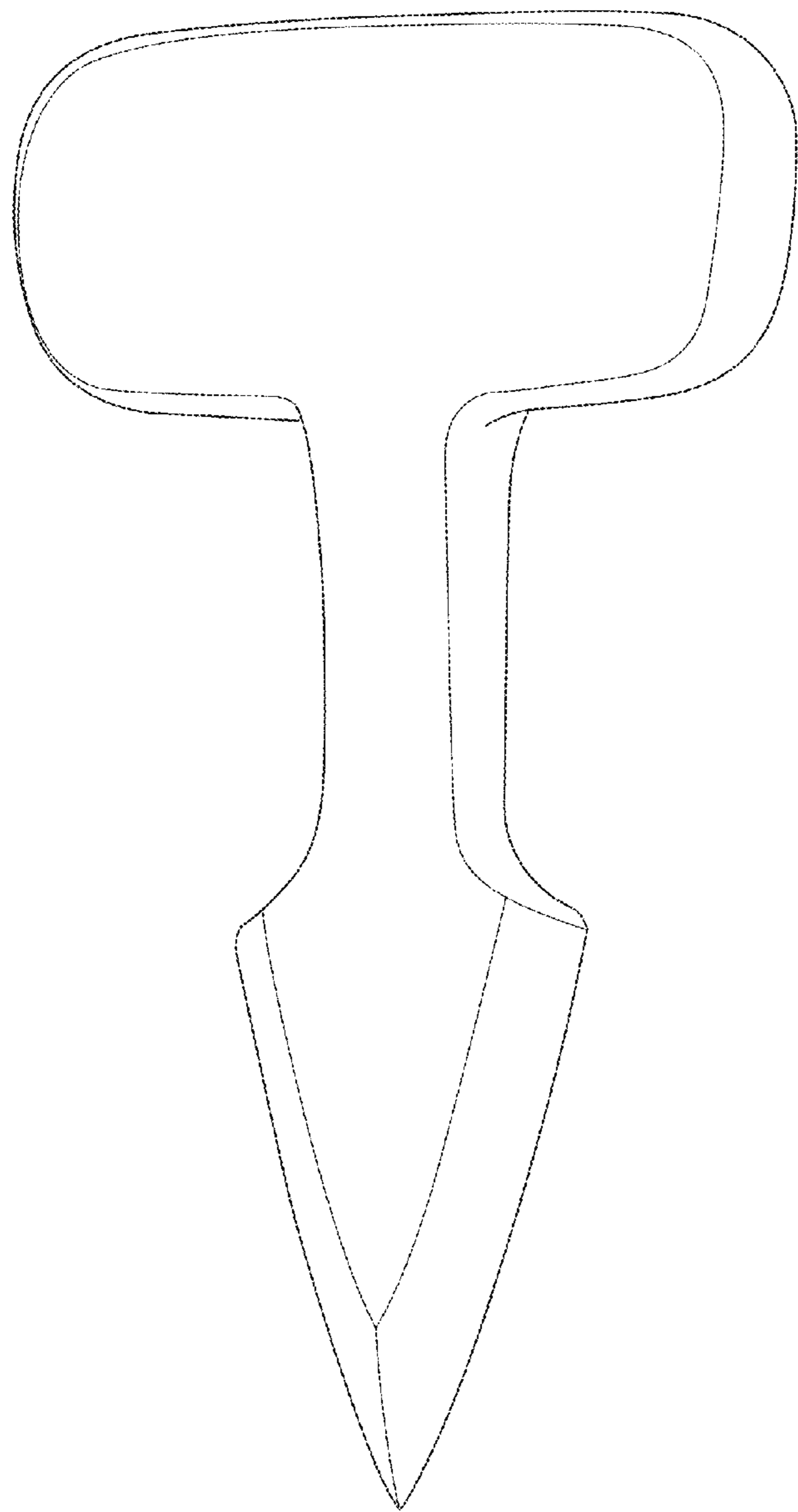


FIG. 15

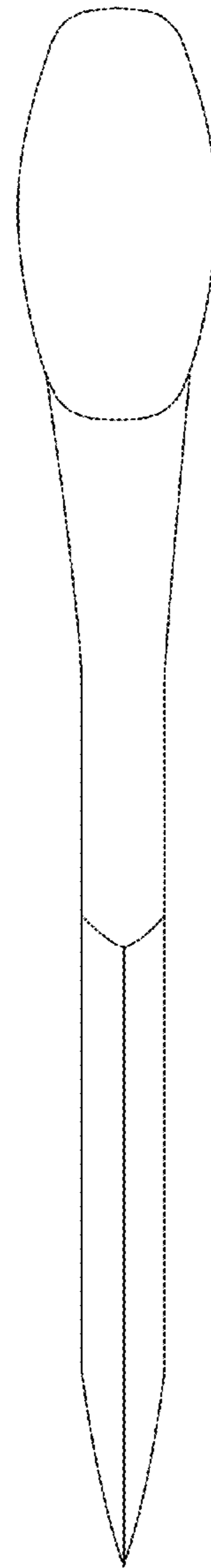
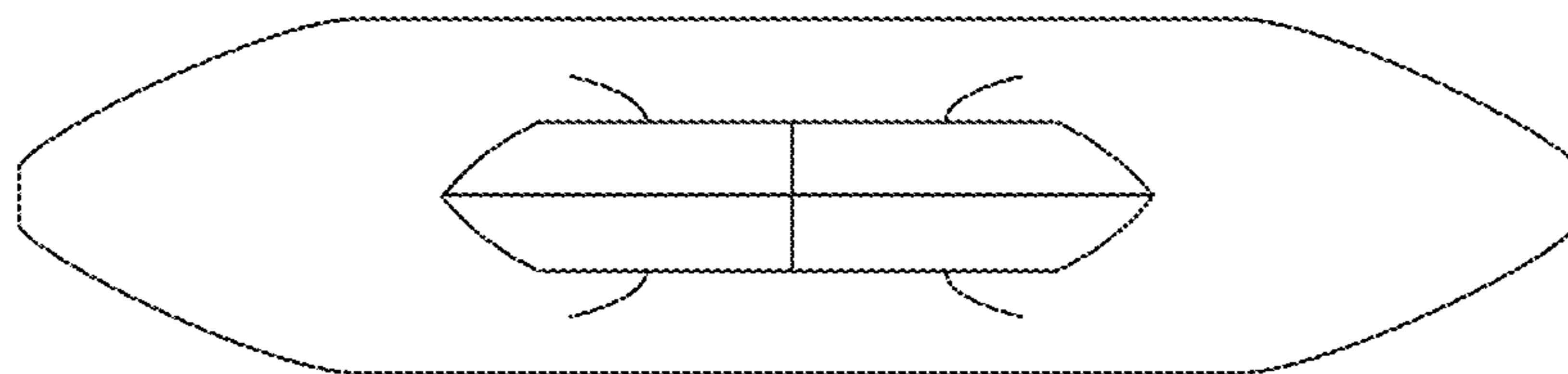


FIG. 16



*FIG. 17*



*FIG. 18*



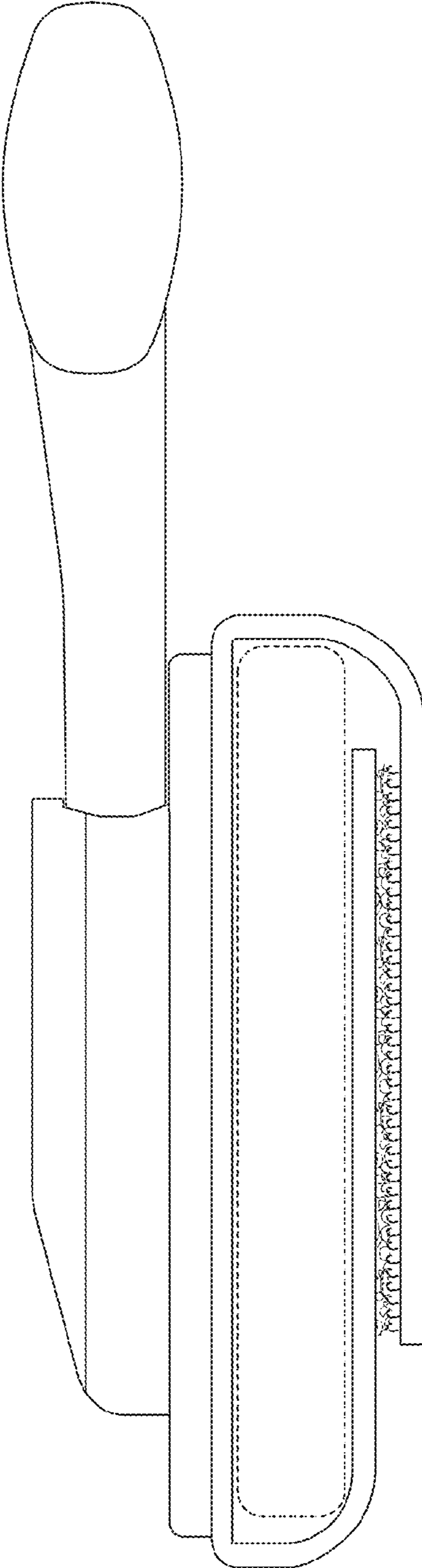


FIG. 19

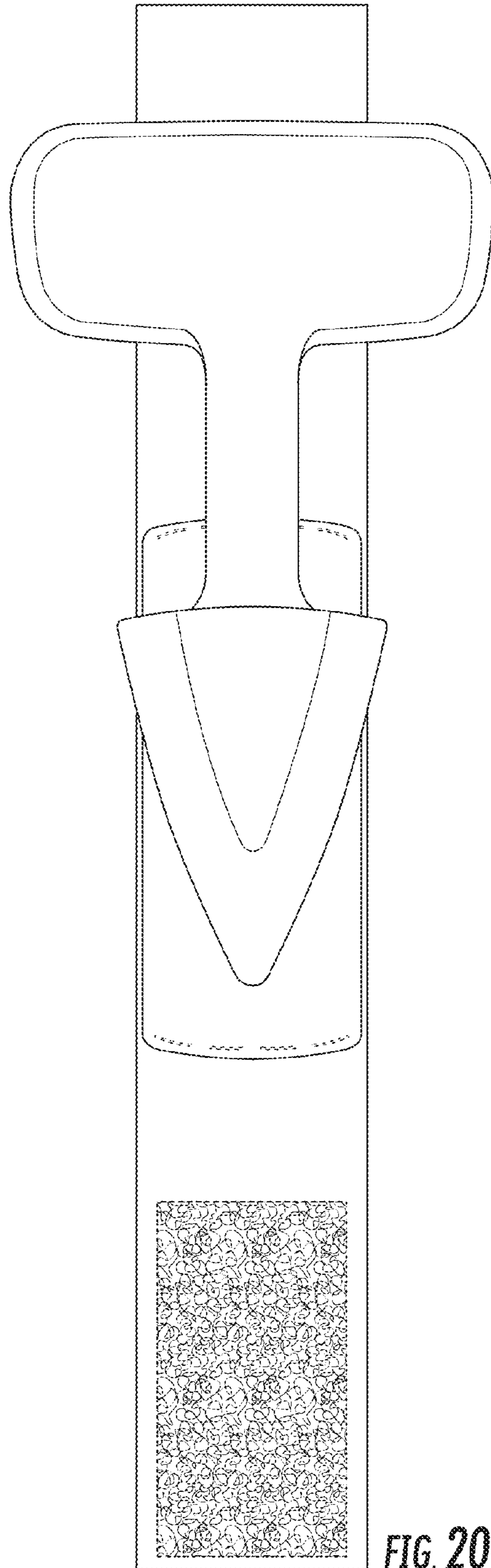


FIG. 20

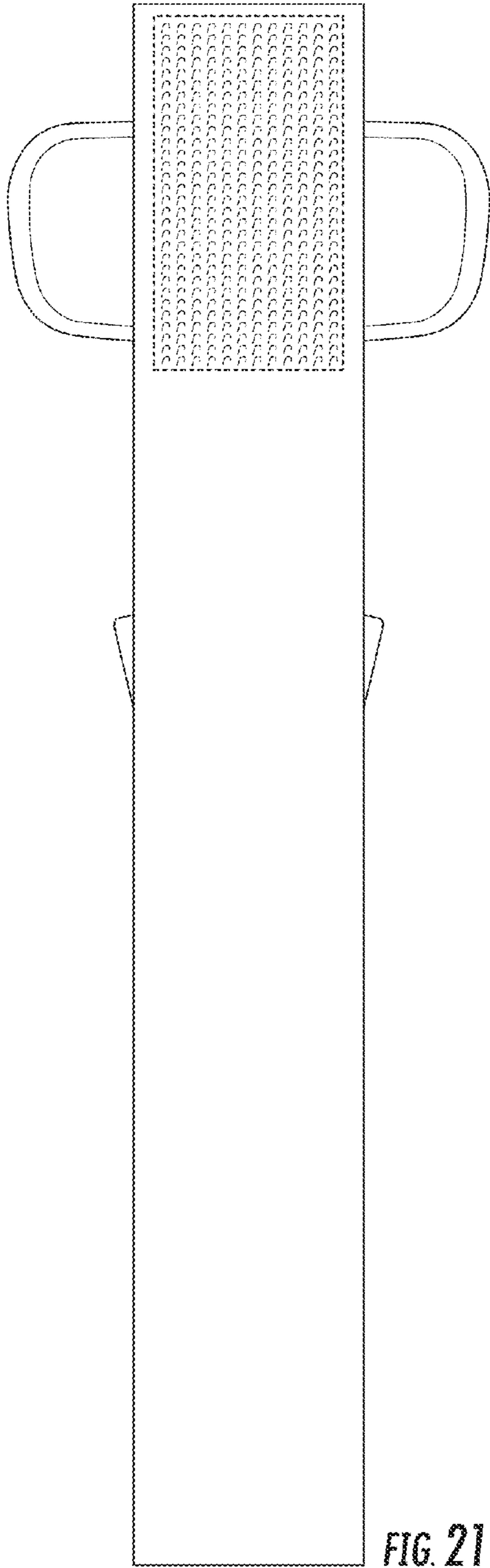


FIG. 21

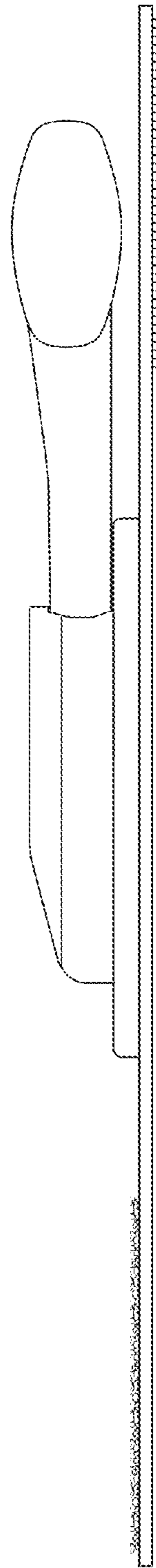


FIG. 22