



US00D755506S

(12) **United States Design Patent**  
**Neely, III et al.**

(10) **Patent No.:** **US D755,506 S**  
(45) **Date of Patent:** **\*\* May 10, 2016**

(54) **KEY RING DEVICE**

(71) Applicants: **Edgar R. Neely, III**, Vashon, WA (US);  
**Keith W. Kirkwood**, Seattle, WA (US);  
**John D. Suryan**, Bellevue, WA (US)

(72) Inventors: **Edgar R. Neely, III**, Vashon, WA (US);  
**Keith W. Kirkwood**, Seattle, WA (US);  
**John D. Suryan**, Bellevue, WA (US)

(73) Assignee: **TETHER TECHNOLOGIES, INC.**,  
Seattle, WA (US)

(\*\*) Term: **14 Years**

(21) Appl. No.: **29/526,652**

(22) Filed: **May 12, 2015**

**Related U.S. Application Data**

(63) Continuation-in-part of application No. 14/487,076,  
filed on Sep. 15, 2014.

(51) **LOC (10) Cl.** ..... **03-01**

(52) **U.S. Cl.**  
USPC ..... **D3/208**

(58) **Field of Classification Search**  
USPC ..... D11/1-2, 14, 26-29, 89-92, 44, 48, 81,  
D11/99; 63/26-28, 32; D3/207-212; D8/38;  
70/456 B; 206/205, 37.5; D10/64  
CPC ..... A45C 11/32; A47G 29/10  
See application file for complete search history.

(56) **References Cited**

U.S. PATENT DOCUMENTS

|           |    |   |         |          |       |              |
|-----------|----|---|---------|----------|-------|--------------|
| D273,053  | S  | * | 3/1984  | Hamborg  | ..... | D3/207       |
| D392,201  | S  | * | 3/1998  | Chen     | ..... | D10/104.1    |
| 6,669,017 | B2 | * | 12/2003 | Linihan  | ..... | G07C 9/00944 |
|           |    |   |         |          |       | 206/305      |
| D504,767  | S  | * | 5/2005  | DiMarchi | ..... | D3/208       |
| D505,257  | S  | * | 5/2005  | DiMarchi | ..... | D3/208       |
| D551,851  | S  | * | 10/2007 | Vincent  | ..... | D3/208       |
| D577,485  | S  | * | 9/2008  | Mohs     | ..... | D3/207       |
| D639,547  | S  | * | 6/2011  | Stefanov | ..... | D13/168      |
| 8,096,412 | B1 | * | 1/2012  | Britt    | ..... | A45C 11/32   |
|           |    |   |         |          |       | 206/305      |

\* cited by examiner

*Primary Examiner* — Ralf Seifert

(74) *Attorney, Agent, or Firm* — Svendsen Legal, LLC.

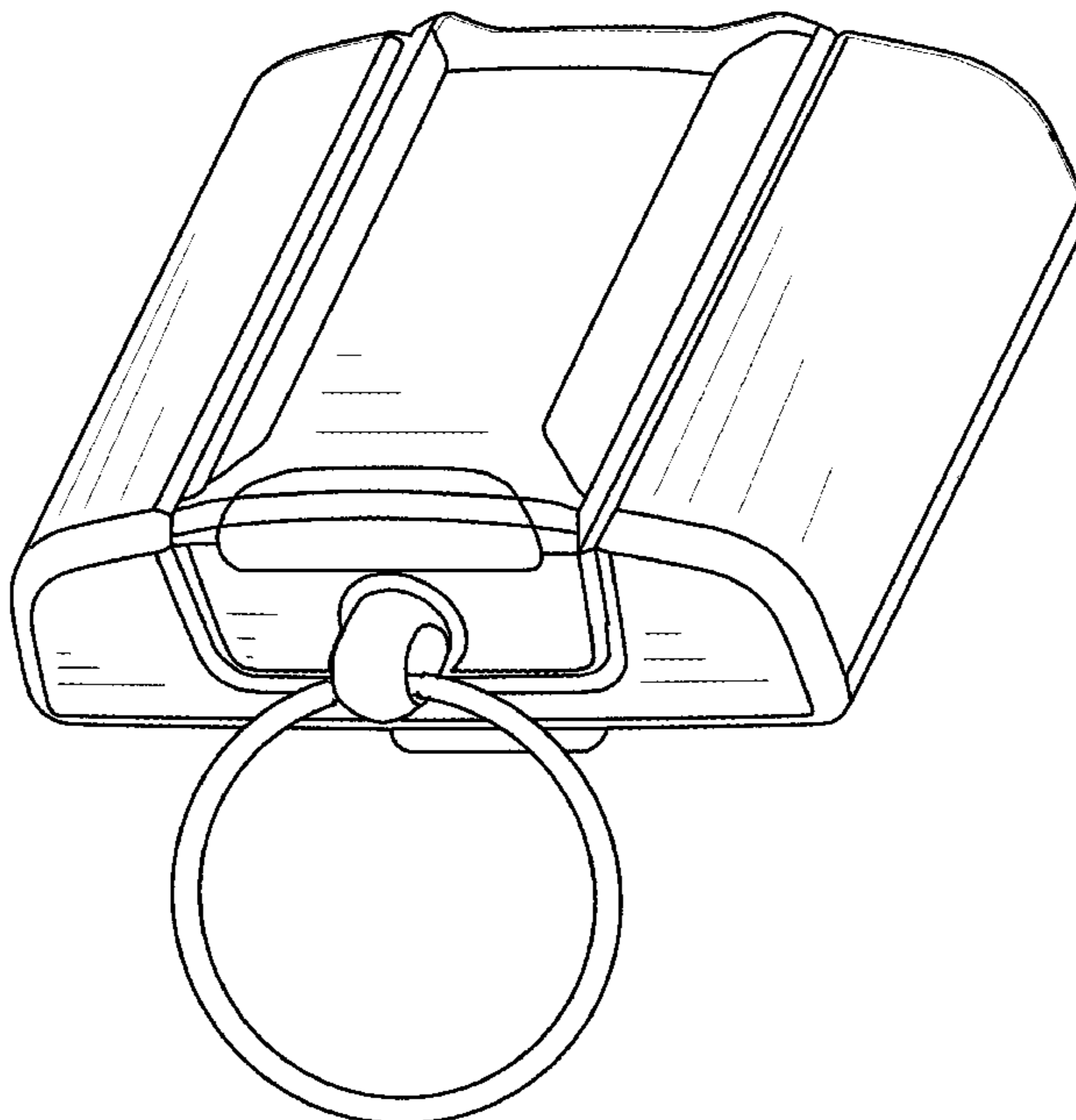
(57) **CLAIM**

The ornamental design for a key ring device, as shown and described.

**DESCRIPTION**

FIG. 1 is a bottom front perspective view of a key ring device, showing our new design;  
FIG. 2 is a top front perspective view thereof;  
FIG. 3 is a front view thereof;  
FIG. 4 is a rear view thereof;  
FIG. 5 is a first side view thereof;  
FIG. 6 is a second side view thereof;  
FIG. 7 is a top view thereof; and,  
FIG. 8 is a bottom view thereof.

**1 Claim, 6 Drawing Sheets**



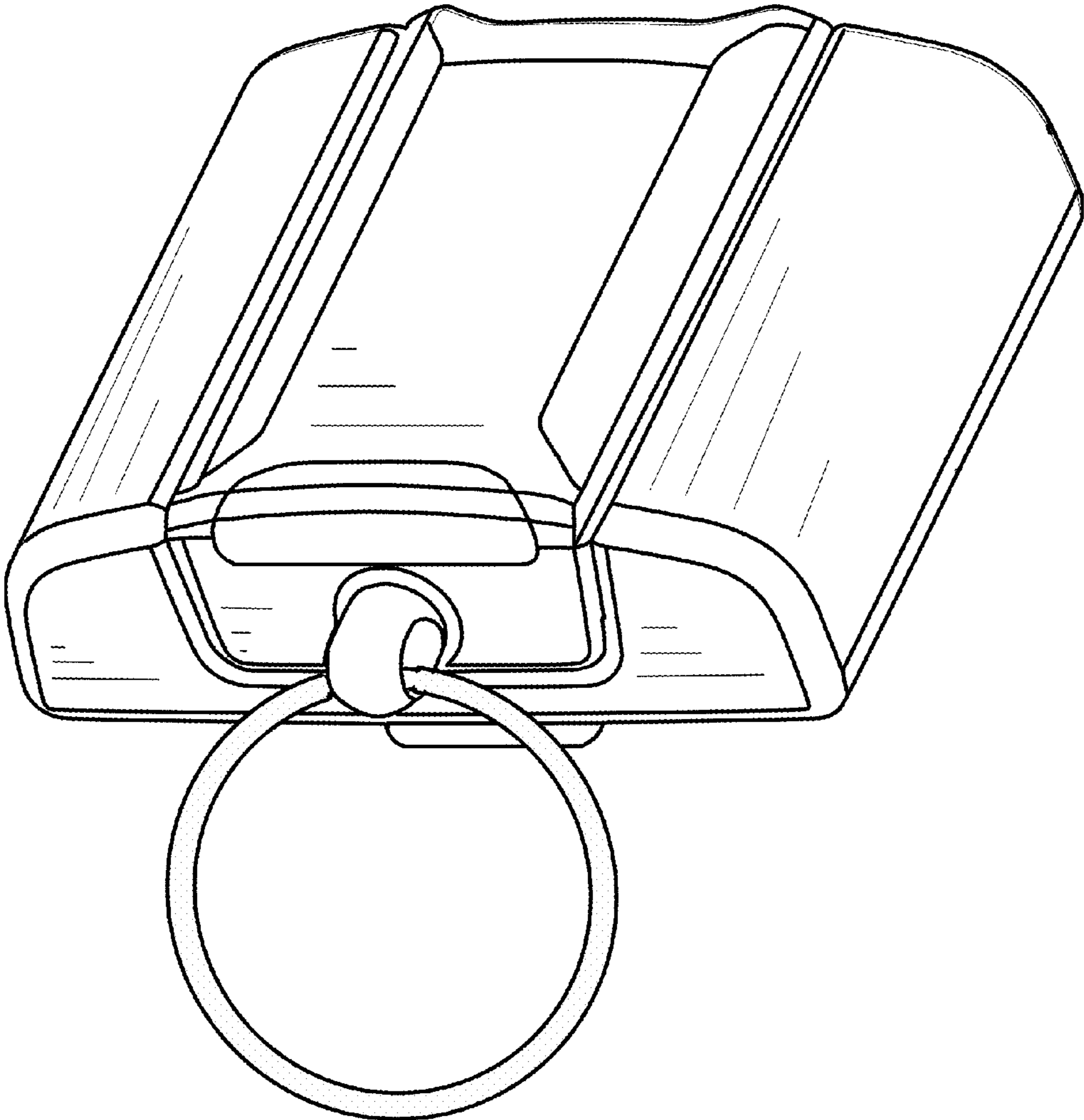


FIG. 1

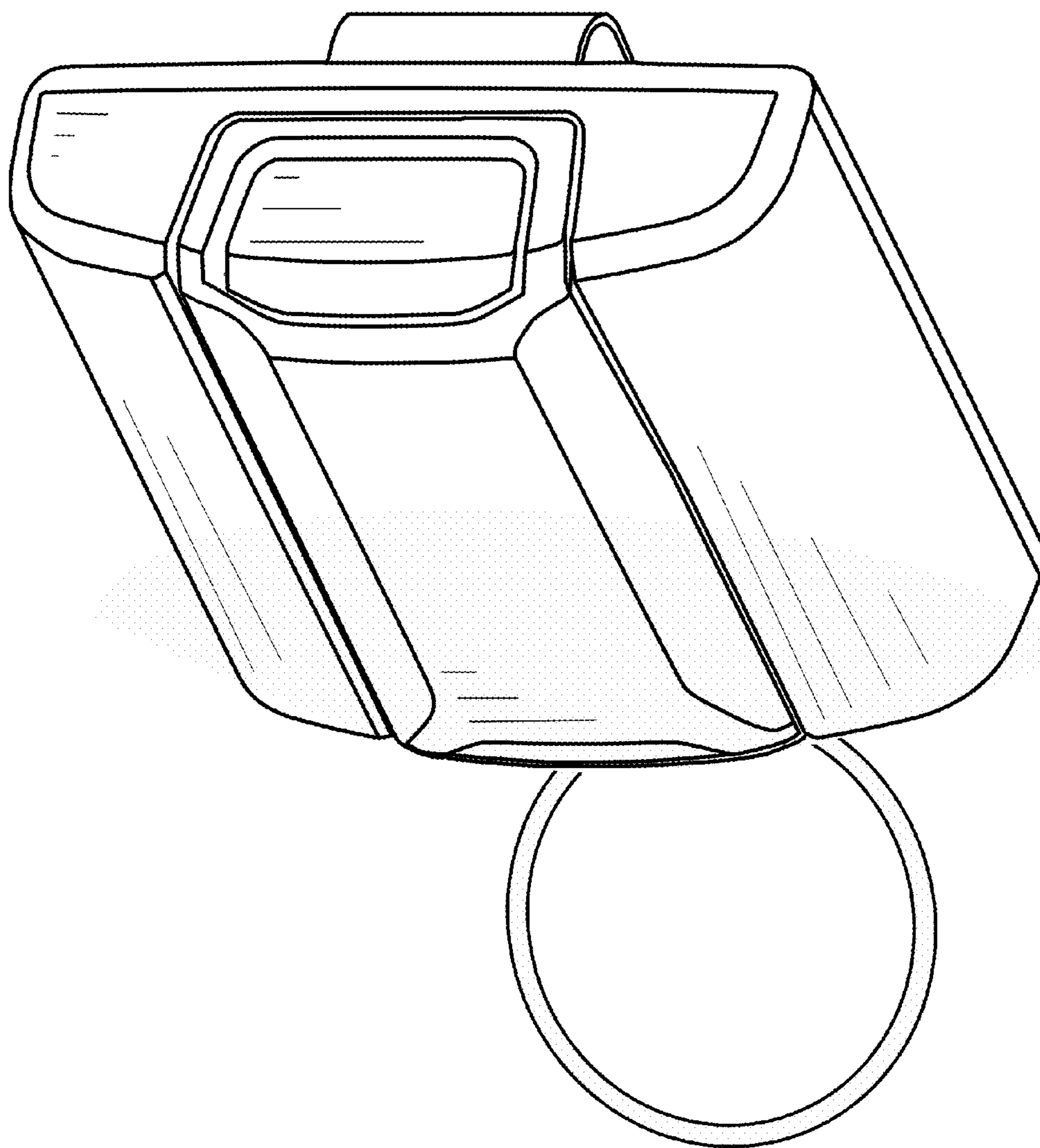


FIG. 2

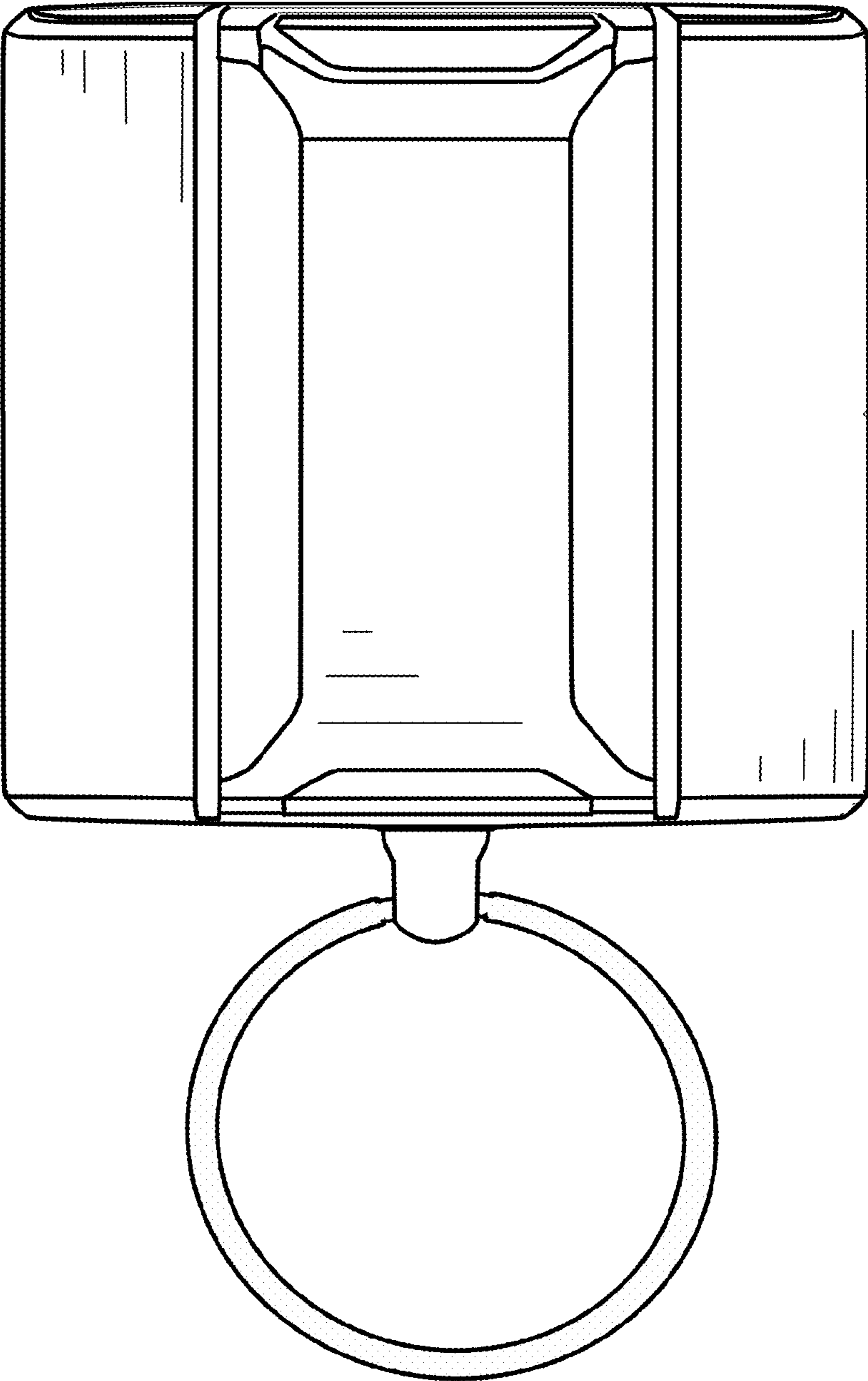


FIG. 3

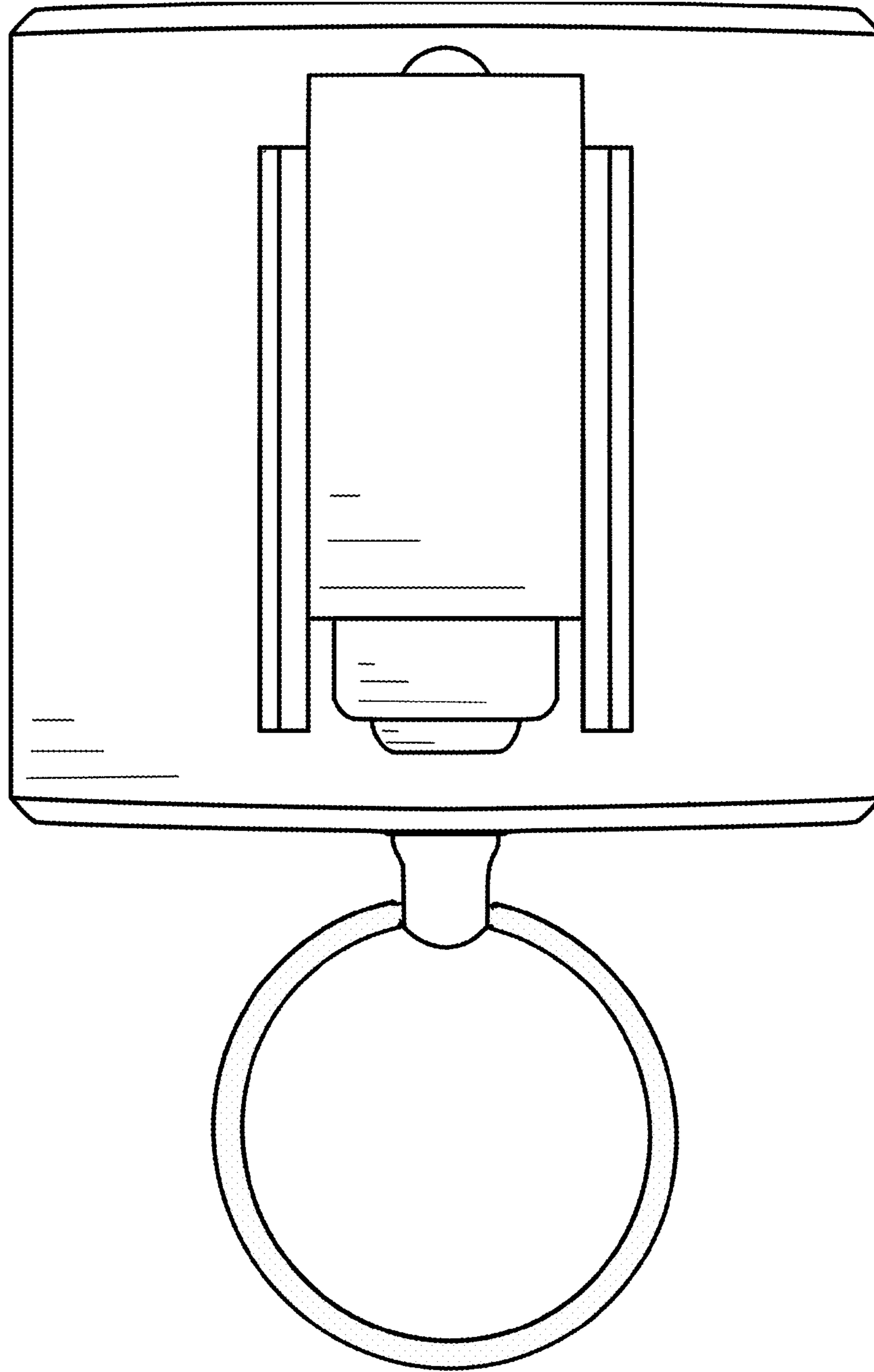


FIG. 4

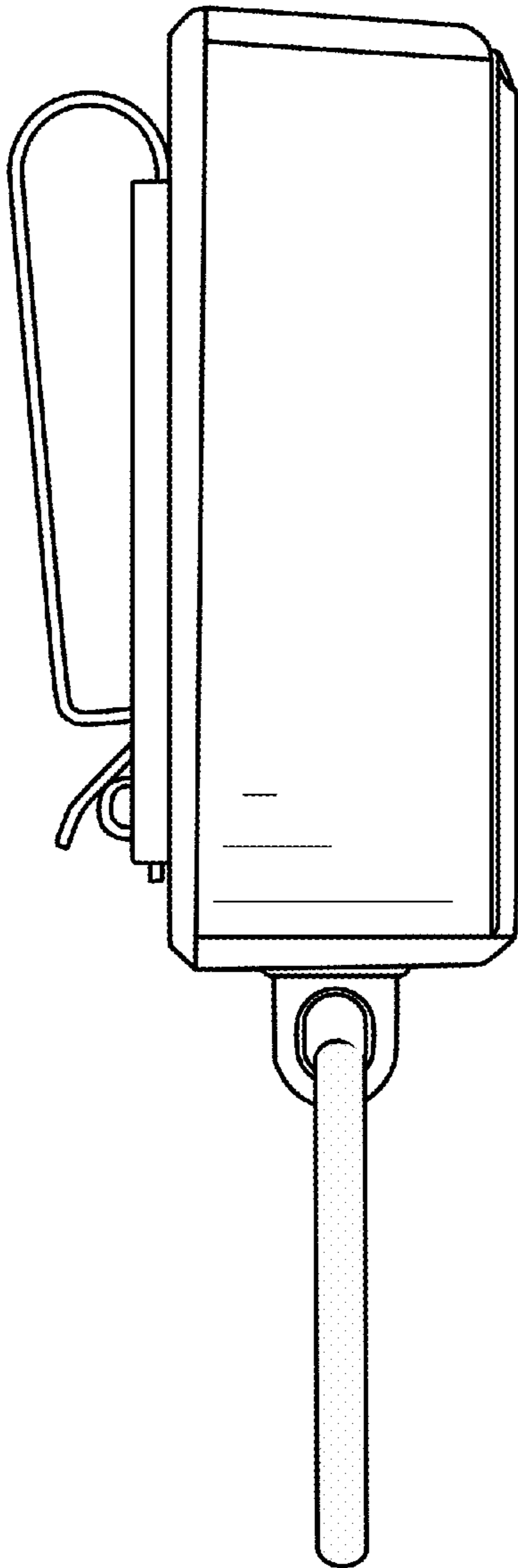


FIG. 5

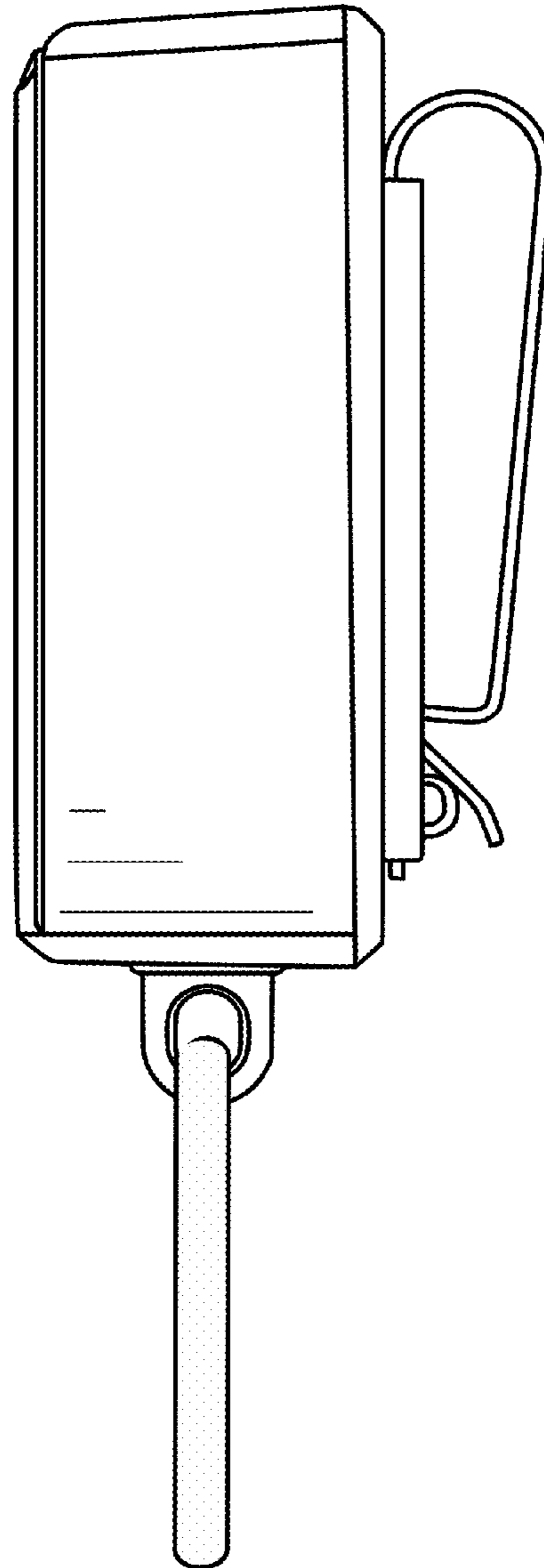


FIG. 6

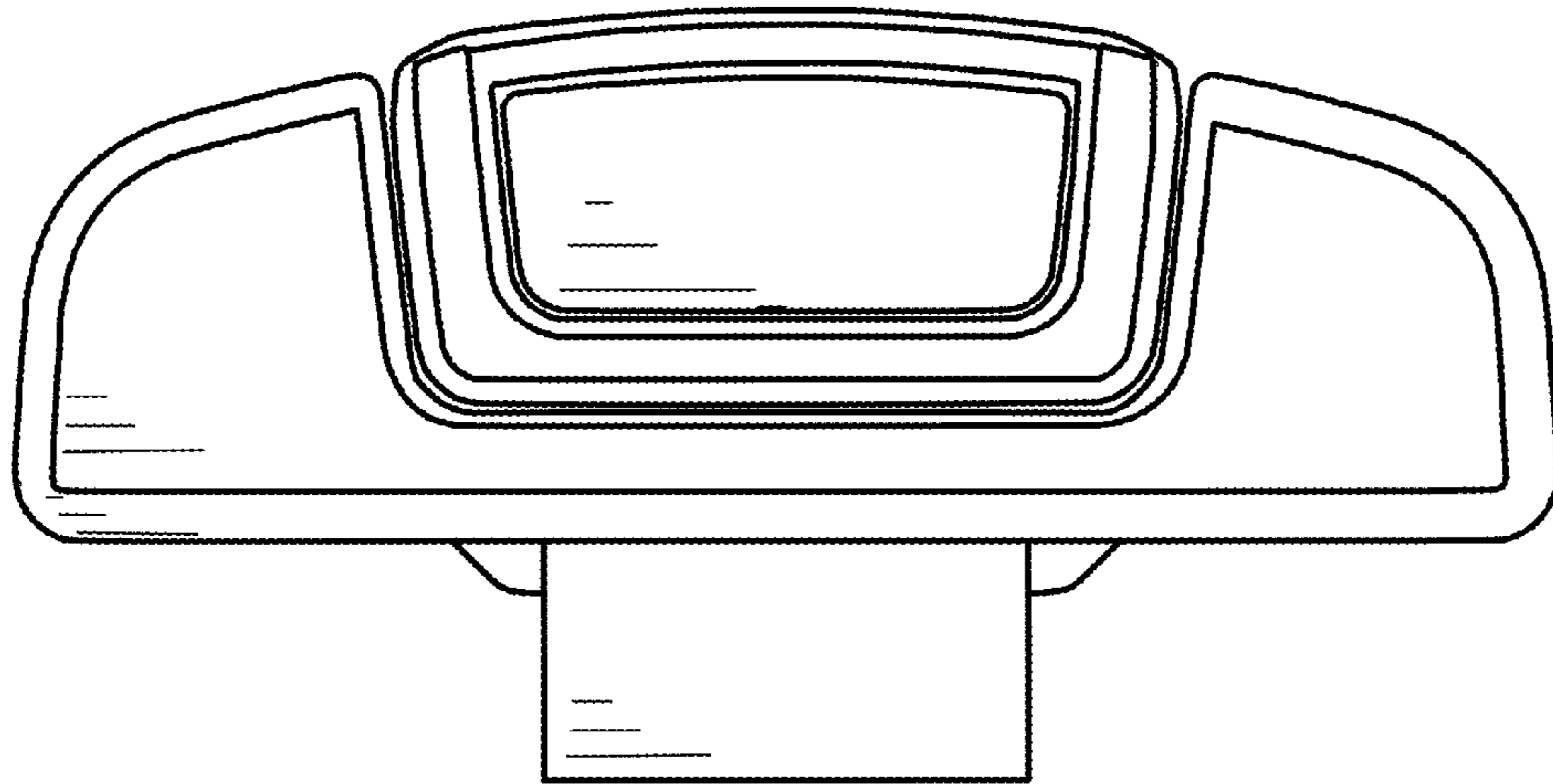


FIG. 7

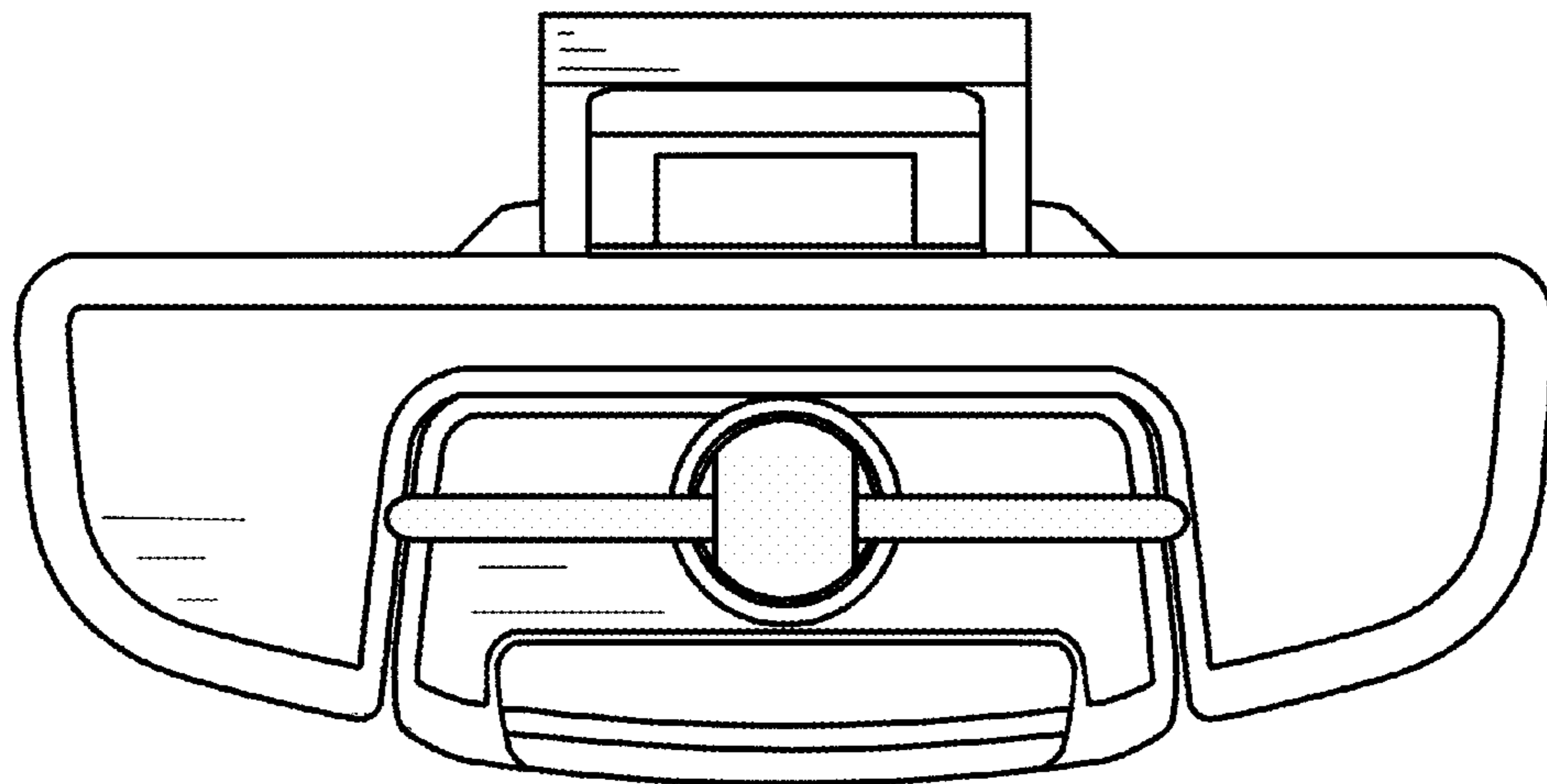


FIG. 8