



US00D755503S

(12) **United States Design Patent**
Thomson

(10) **Patent No.:** **US D755,503 S**

(45) **Date of Patent:** **** May 10, 2016**

(54) **PENCIL POUCH**

(71) Applicant: **IdeaStream Consumer Products, LLC**,
Cleveland, OH (US)

(72) Inventor: **Vincent J. Thomson**, Avon Lake, OH
(US)

(73) Assignee: **IdeaStream Consumer Products, LLC**,
Cleveland, OH (US)

(**) Term: **14 Years**

(21) Appl. No.: **29/499,669**

(22) Filed: **Aug. 18, 2014**

(51) **LOC (10) Cl.** **03-02**

(52) **U.S. Cl.**
USPC **D3/206**

(58) **Field of Classification Search**
USPC D3/206
CPC A45C 11/34; A45C 11/36
See application file for complete search history.

(56) **References Cited**

U.S. PATENT DOCUMENTS

5,597,256 A * 1/1997 Burton B42F 11/00
281/38
D439,040 S * 3/2001 Vazquez D3/233

D451,273 S * 12/2001 Moor D19/32
D490,238 S * 5/2004 Bristel D3/226
D629,204 S * 12/2010 Spira 150/112
D702,043 S * 4/2014 Johnson D3/247
D719,346 S * 12/2014 Thomson D3/206

* cited by examiner

Primary Examiner — Susan Bennett Hattan

Assistant Examiner — Charles Hanson

(74) *Attorney, Agent, or Firm* — Fay Sharpe LLP

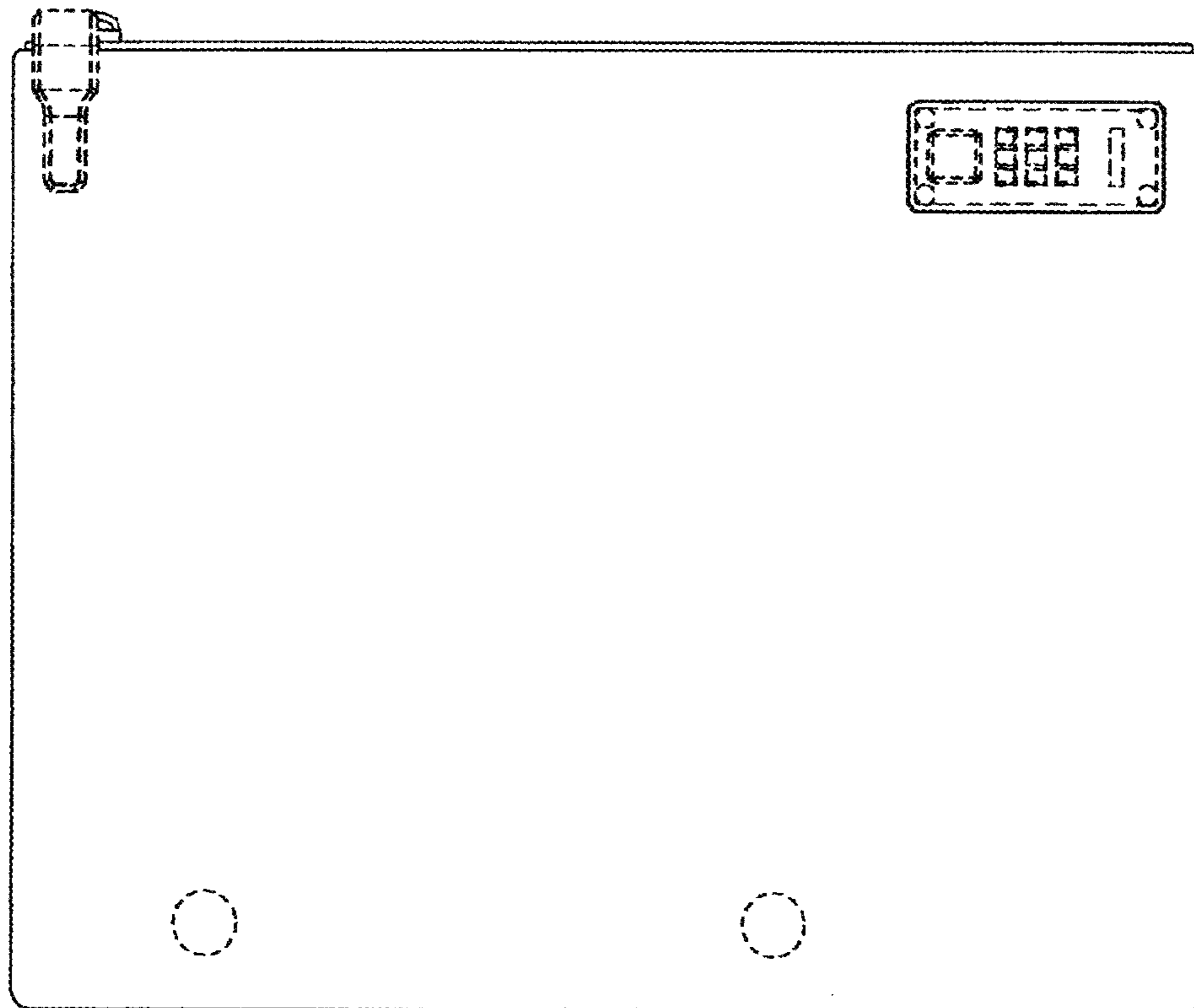
(57) **CLAIM**

The ornamental design for a pencil pouch, as shown and described.

DESCRIPTION

FIG. 1 is a front elevation view of a pencil pouch showing my new design;
FIG. 2 is a front plan view thereof of a pencil pouch showing my new design;
FIG. 3 is a side plan view thereof of the pencil pouch;
FIG. 4 is a top plan view thereof of the pencil pouch; and,
FIG. 5 a front plan view thereof of a pencil pouch showing my new design wherein the locking latch is in the unlock position. The broken lines are included for the purpose of illustrating non-claimed subject matter and form no part of the claimed design.

1 Claim, 5 Drawing Sheets



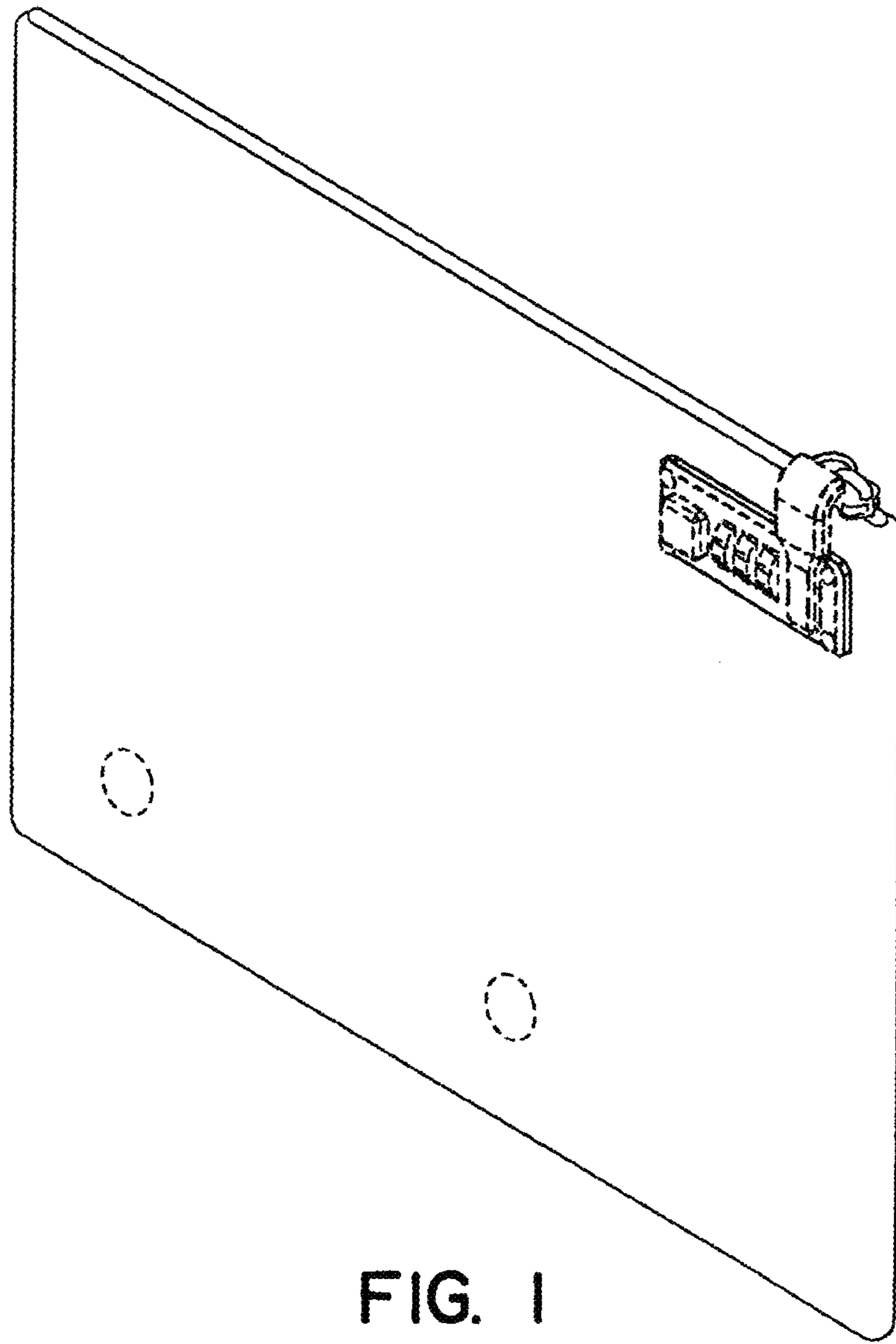


FIG. 1

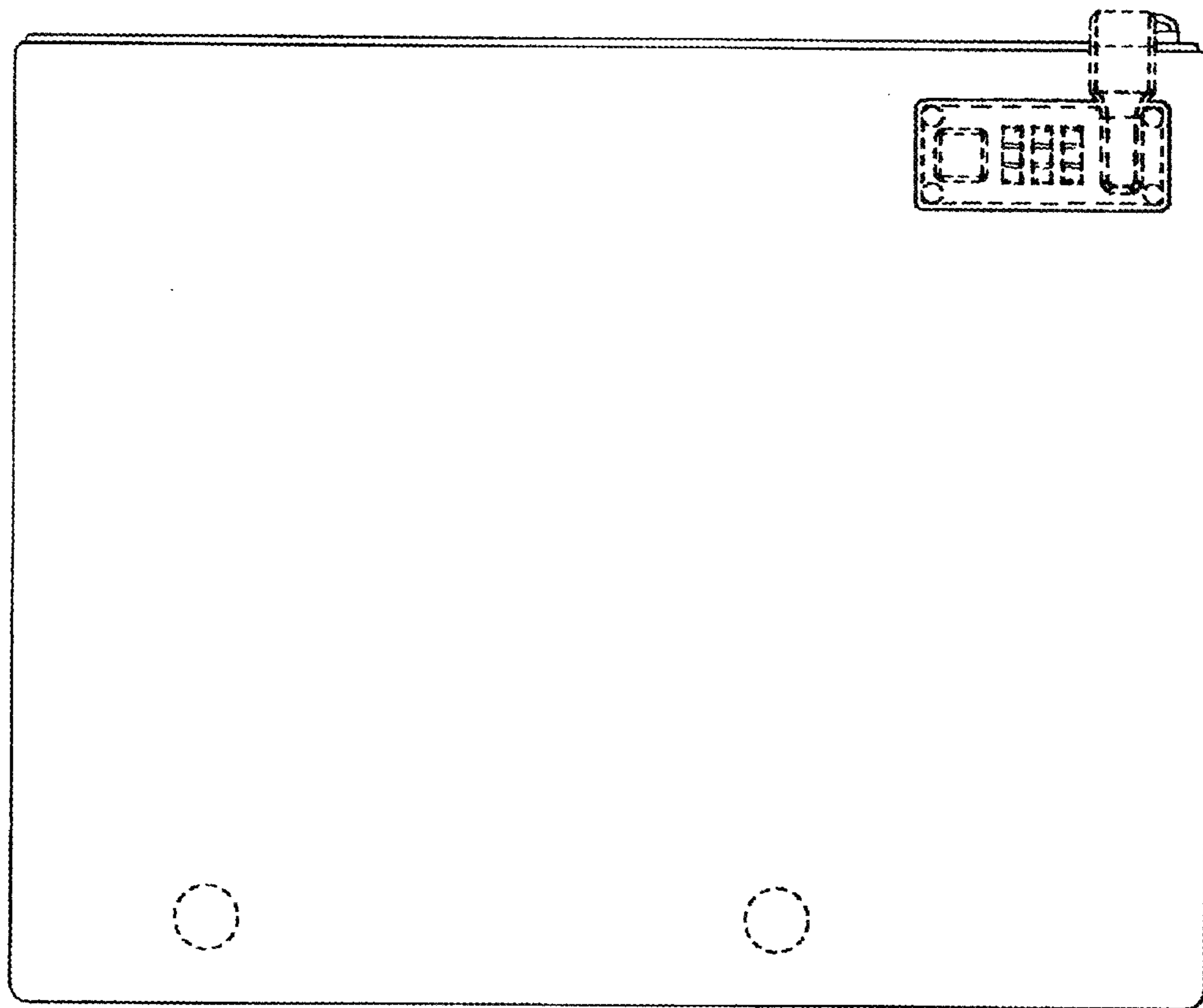


FIG. 2



FIG. 3

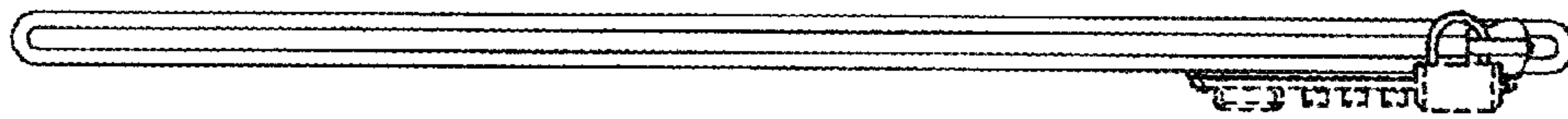


FIG. 4

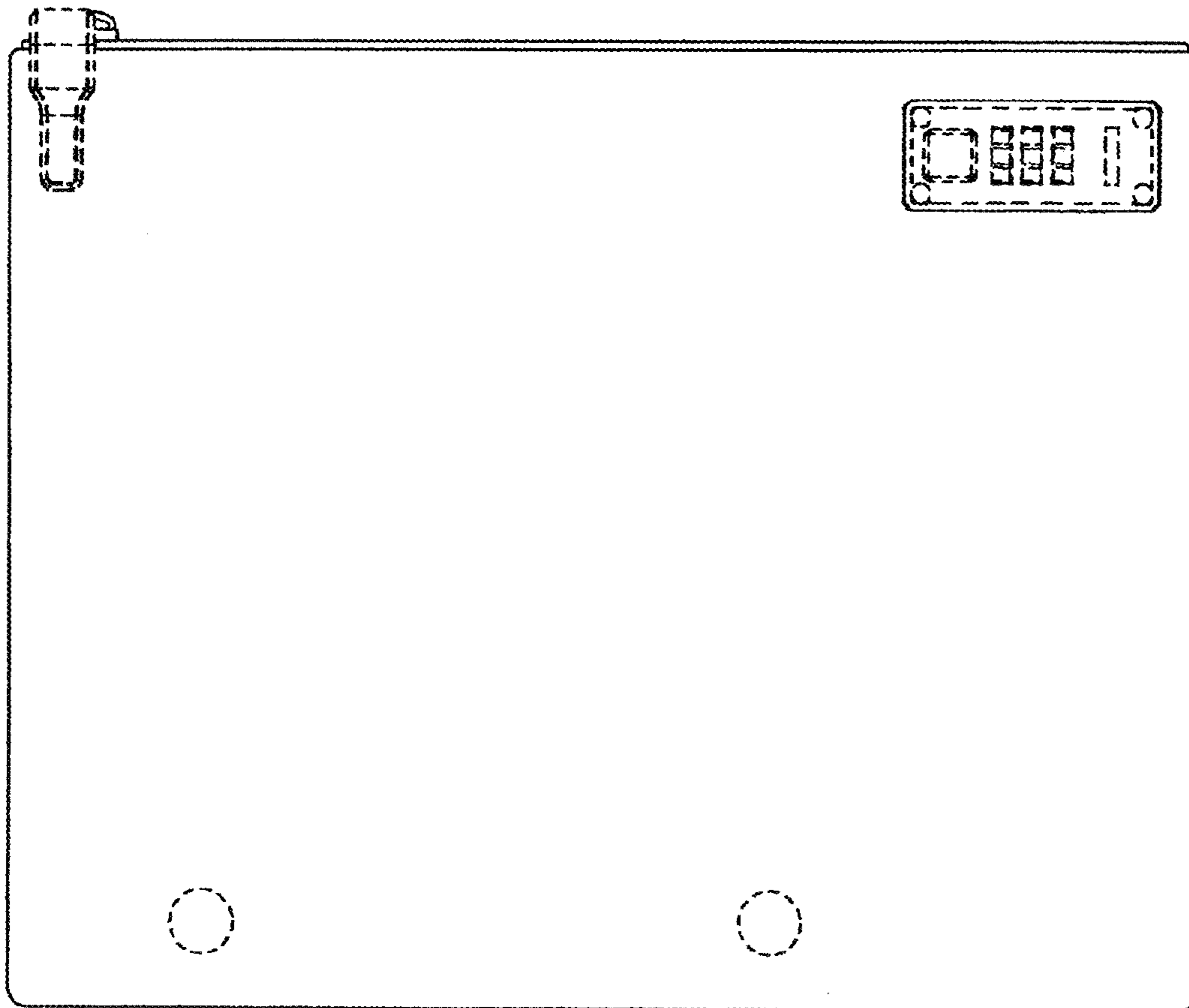


FIG. 5