



US00D755501S

(12) **United States Design Patent**  
**Nayak et al.**

(10) **Patent No.:** **US D755,501 S**

(45) **Date of Patent:** **\*\* May 10, 2016**

(54) **EXPLOSIVE DETECTION KIT**

(56) **References Cited**

(71) Applicant: **Defence Research Development Organization, New Delhi (IN)**

U.S. PATENT DOCUMENTS

(72) Inventors: **Satish Ramdas Nayak, Pune (IN); Reny Mammen Roy, Pune (IN); Rabindra Kumar Sinha, Pune (IN); Shri Nandan Asthana, Pune (IN); Bikash Bhattacharya, Pune (IN)**

D137,512 S *	3/1944	Laure .....	D3/203.3
2,386,416 A *	10/1945	Wilhelm .....	206/539
D175,399 S *	8/1955	Fleming .....	D3/206
2,971,638 A *	2/1961	Allison et al. ....	206/532
D442,779 S *	5/2001	Koefeldt et al. ....	D3/273
D684,276 S *	6/2013	Hudson et al. ....	D24/226
D721,491 S *	1/2015	Wang .....	D3/273

\* cited by examiner

(73) Assignee: **Defence Research Development Organization Ministry of Defense, Government of India, New Delhi (IN)**

*Primary Examiner* — Catheri Oliver-Garcia

(74) *Attorney, Agent, or Firm* — Henry J. Cittone; Cittone & Chinta LLP

(\*\*) Term: **14 Years**

(57) **CLAIM**

The ornamental design for an explosive detection kit, as shown and described.

(21) Appl. No.: **29/480,430**

**DESCRIPTION**

(22) Filed: **Jan. 26, 2014**

(30) **Foreign Application Priority Data**

Jul. 26, 2013 (IN) ..... 255512

(51) **LOC (10) Cl.** ..... **03-01**

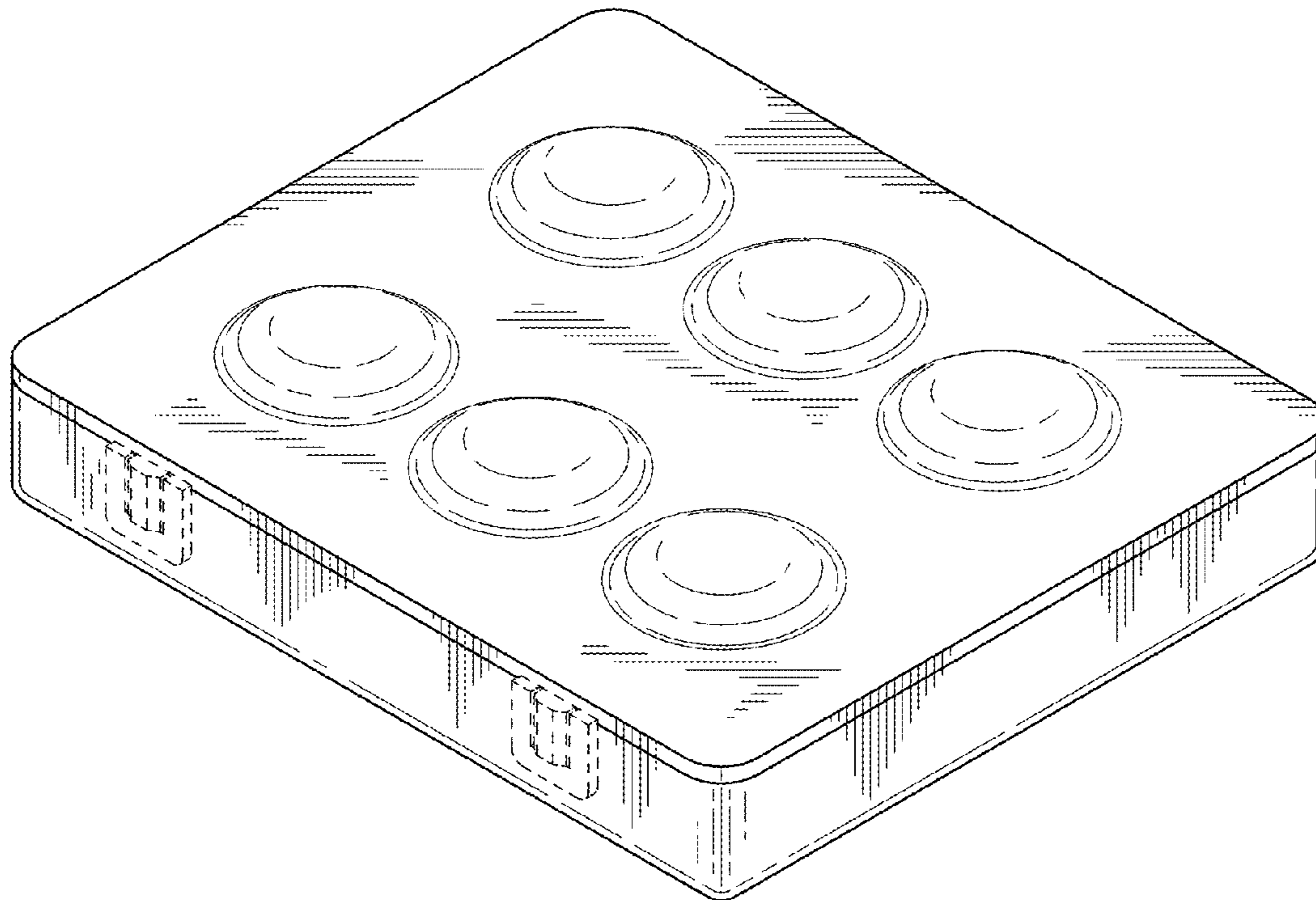
(52) **U.S. Cl.**  
USPC ..... **D3/201**

(58) **Field of Classification Search**  
USPC ..... D3/201, 200, 203.3, 205–206, 269–270,  
D3/271.6, 282, 273; 206/531–532, 533,  
206/539, 467; 220/516; D24/226

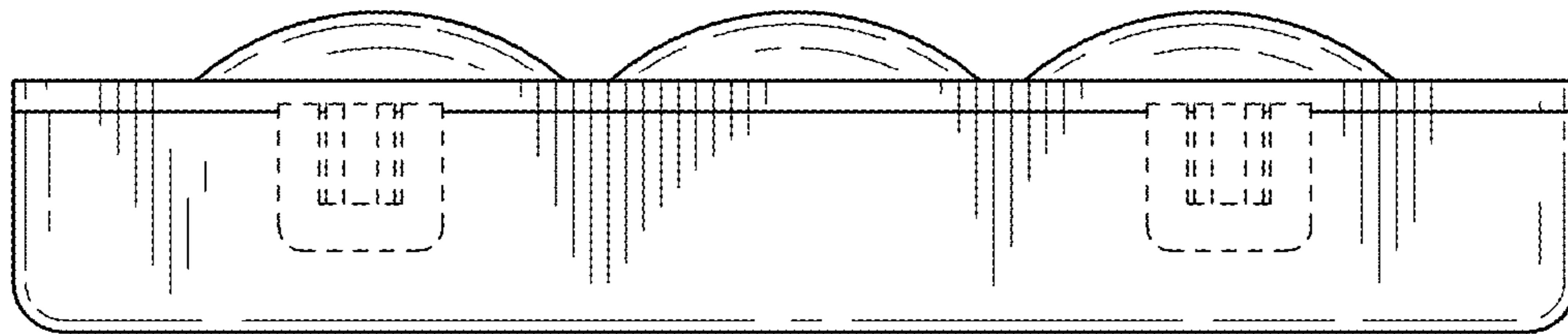
FIG. 1 is a front elevational view of an explosive detection kit showing the new design;  
FIG. 2 is a rear elevational view thereof;  
FIG. 3 is a right side view thereof;  
FIG. 4 is a top left and rear perspective view thereof;  
FIG. 5 is a top plan view thereof;  
FIG. 6 is a bottom plan view thereof; and,  
FIG. 7 is a top right and front perspective view thereof.  
The broken line illustration of environmental and other structures in the drawings are not part of the design sought to be patented.

See application file for complete search history.

**1 Claim, 7 Drawing Sheets**



*FIG. 1*



*FIG. 2*

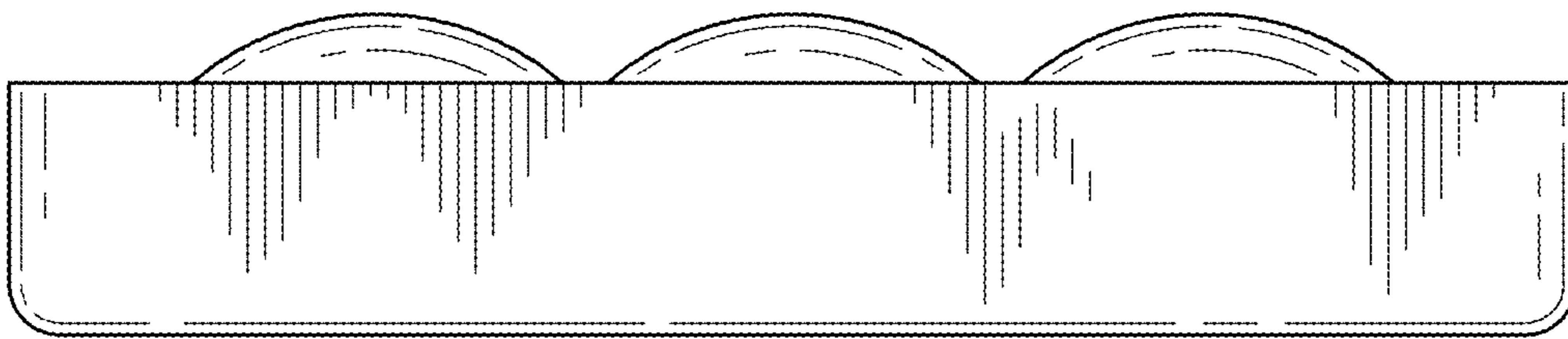


FIG. 3

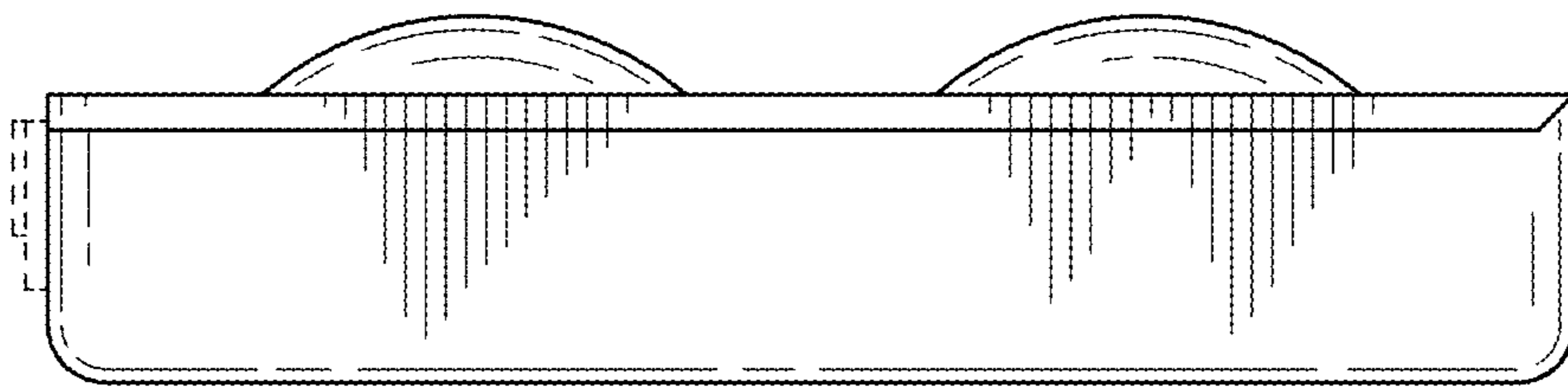


FIG. 4

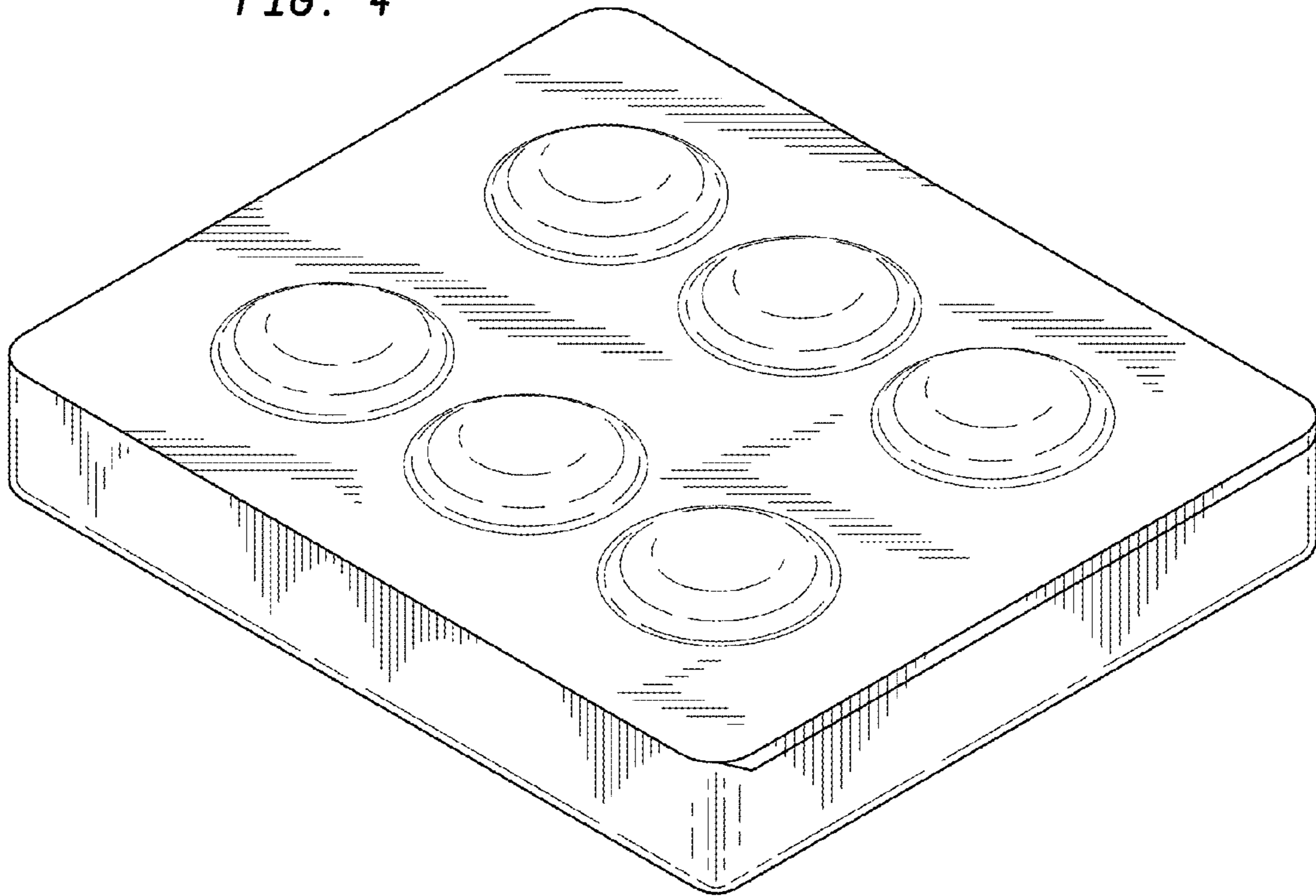


FIG. 5

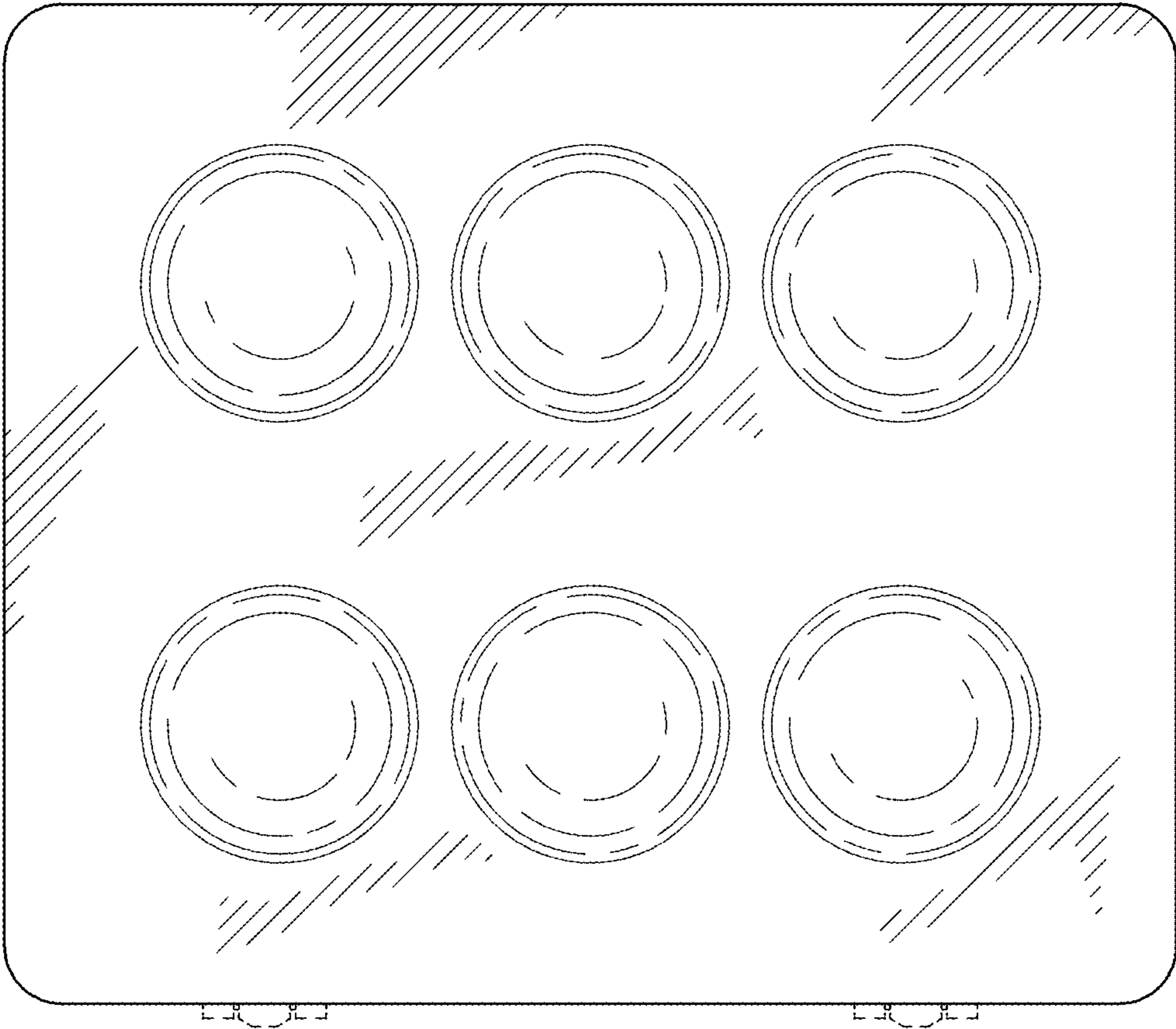


FIG. 6

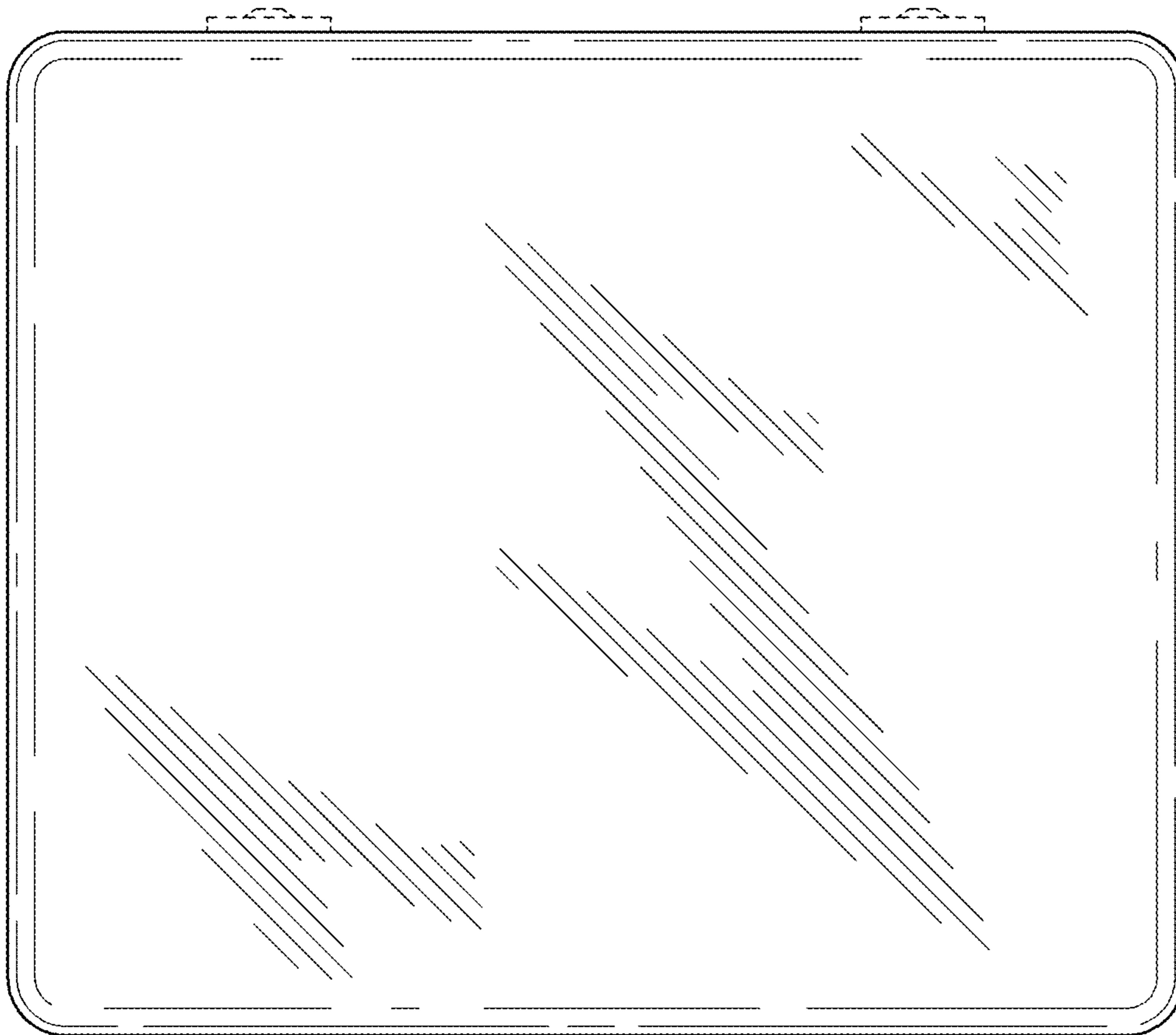


FIG. 7

