



US00D755492S

(12) **United States Design Patent**  
**Bizzo**

(10) **Patent No.:** **US D755,492 S**  
(45) **Date of Patent:** **\*\* May 10, 2016**

- (54) **SHOE SOLE**
- (71) Applicant: **AEROGROUP INTERNATIONAL HOLDINGS LLC**, Edison, NJ (US)
- (72) Inventor: **Luca Bizzo**, Holmdel, NJ (US)
- (73) Assignee: **AEROGROUP INTERNATIONAL HOLDINGS LLC**, Edison, NJ (US)
- (\*\*) Term: **14 Years**
- (21) Appl. No.: **29/516,478**
- (22) Filed: **Feb. 3, 2015**
- (51) **LOC (10) Cl.** ..... **02-04**
- (52) **U.S. Cl.**  
USPC ..... **D2/960**; D2/951; D2/957
- (58) **Field of Classification Search**  
USPC ..... D2/902, 906, 908, 916, 918, 925,  
D2/946-962, 977; 36/3 B, 22 R, 24.5, 25 R,  
36/28, 32 R, 34 R, 59 C, 67 A, 103  
CPC ..... A43B 13/00; A43B 13/02; A43B 13/023;  
A43B 13/026; A43B 13/04; A43B 13/08;  
A43B 13/10; A43B 13/12; A43B 13/14;  
A43B 13/141; A43B 13/143; A43B 13/16;  
A43B 13/18; A43B 13/181; A43B 13/187;  
A43B 13/189; A43B 13/20; A43B 13/22;  
A43B 13/223; A43B 13/24; A43B 13/28;  
A43B 13/30; A43B 13/32; A43B 13/34;  
A43B 13/36  
See application file for complete search history.

- (56) **References Cited**  
U.S. PATENT DOCUMENTS  
2,307,032 A \* 1/1943 Fisch ..... A43B 13/14  
36/149  
2,370,963 A \* 3/1945 Issaly ..... A43B 13/08  
12/146 R  
2,981,011 A \* 4/1961 Lombardo ..... A43B 13/223  
36/28

- 3,290,803 A \* 12/1966 Spatola ..... A43B 13/12  
36/14
- D245,734 S \* 9/1977 Jacobs ..... D2/959
- D247,831 S \* 5/1978 Famolare, Jr. .... D2/955
- D250,617 S \* 12/1978 Noches ..... D2/908
- D269,139 S \* 5/1983 Stubblefield ..... D2/957
- D294,537 S \* 3/1988 Le ..... D2/960
- 4,766,681 A \* 8/1988 O'Rourke ..... A43B 7/20  
36/114
- D307,816 S 5/1990 Schneider
- D307,817 S 5/1990 Schneider
- D316,627 S 5/1991 Schneider
- D322,153 S 12/1991 Schneider et al.
- D323,739 S 2/1992 Kaiser

(Continued)

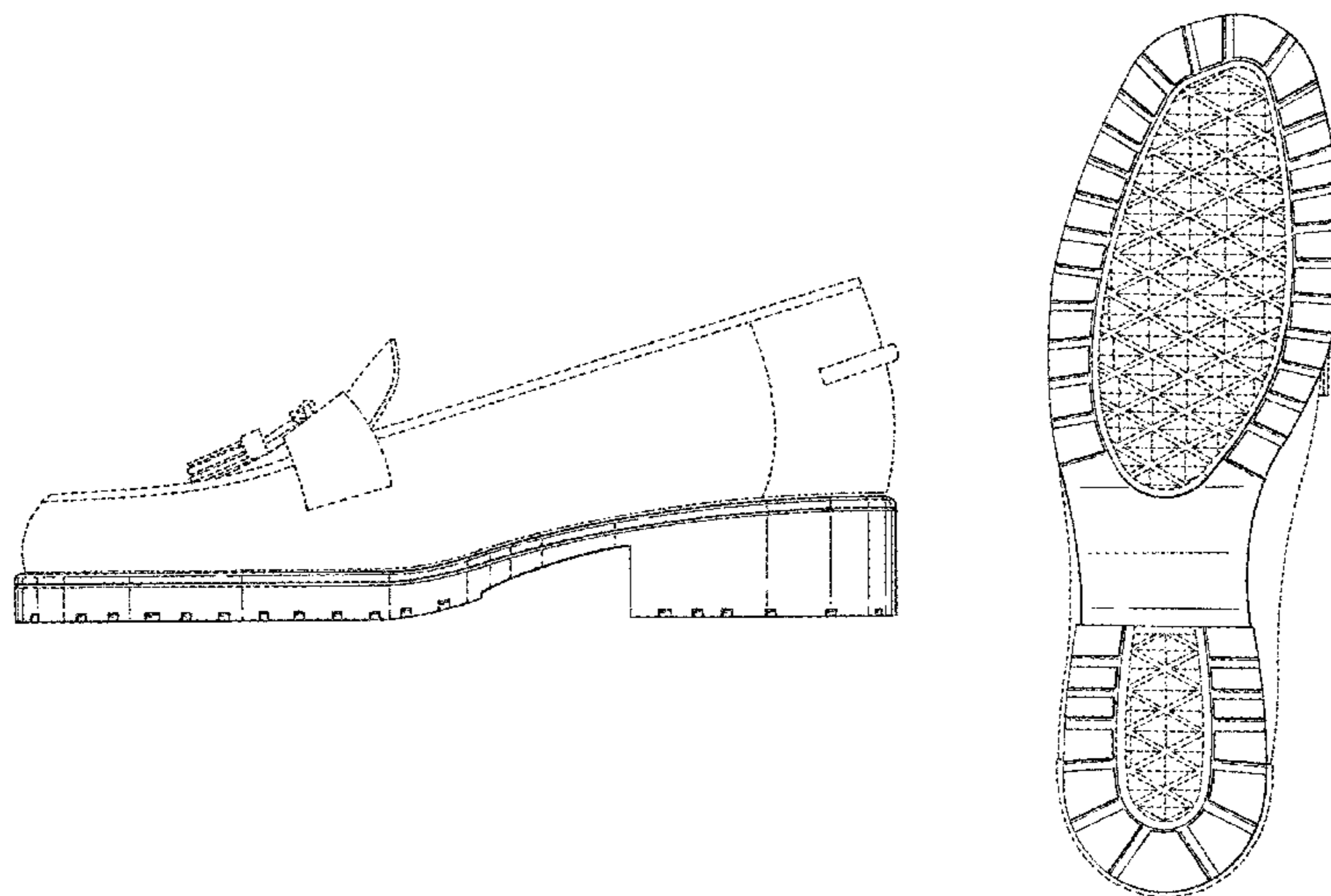
Primary Examiner — T. Chase Nelson  
(74) Attorney, Agent, or Firm — Andrew F. Young, Esq.;  
Lackebach Siegel, LLP

(57) **CLAIM**  
The ornamental design for a shoe sole, as shown and  
described.

**DESCRIPTION**

FIG. 1 is a front perspective view of the embodiment of the present invention.  
FIG. 2 is a front elevation view of the embodiment shown in FIG. 1.  
FIG. 3 is a rear side elevation view of the embodiment shown in FIG. 1.  
FIG. 4 is a top plan view of the embodiment shown in FIG. 1.  
FIG. 5 is a bottom plan view of the embodiment shown in FIG. 1.  
FIG. 6 is a left side elevation view of the embodiment shown in FIG. 1; and,  
FIG. 7 is a right side elevation view of the embodiment shown in FIG. 1.  
No claim is made to the dashed line regions on the shoe sole or tread outside the disclaimed break-lines (dash-dot-dash), nor is any claim made to the shoe upper as the dashed lines indicate disclaimed portions forming no part of the claimed design.

**1 Claim, 6 Drawing Sheets**



(56)

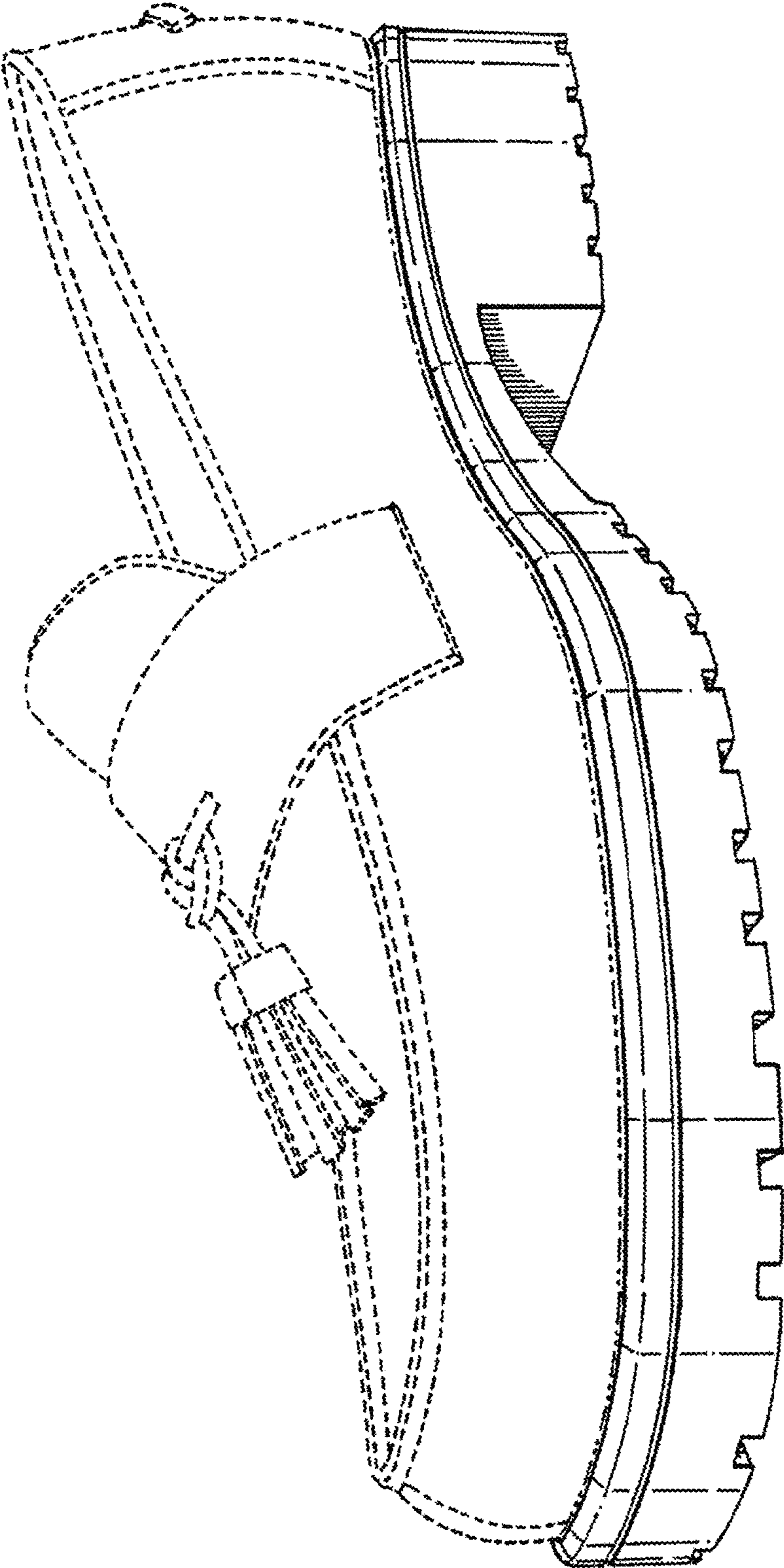
References Cited

U.S. PATENT DOCUMENTS

5,203,792 A	4/1993	Kaiser		D596,385 S *	7/2009	McDade	D2/953
D352,157 S *	11/1994	Merceron	D2/957	D596,386 S *	7/2009	Brambilla	D2/951
D365,920 S	1/1996	Schneider		D611,692 S	3/2010	Bizzo	
D372,115 S	7/1996	Schneider		D614,839 S	5/2010	Bizzo	
D378,318 S *	3/1997	James	D2/951	7,797,779 B2	9/2010	Bizzo	
D390,346 S *	2/1998	Loveder	D2/953	D627,143 S	11/2010	Bizzo	
D394,342 S	5/1998	Schneider		D630,421 S	1/2011	Zappiello	
5,775,005 A *	7/1998	McClelland	A43B 1/0072 36/134	D634,525 S	3/2011	Bizzo	
D397,851 S *	9/1998	Greenberg	D2/960	D635,341 S	4/2011	Bizzo	
D399,345 S *	10/1998	Koh	D2/960	D643,197 S *	8/2011	Teteriatnikov	D2/951
D401,040 S	11/1998	Schneider		D643,602 S *	8/2011	Teteriatnikov	D2/946
D401,041 S	11/1998	Schneider		D649,754 S *	12/2011	Callahan	D2/951
D404,549 S *	1/1999	Greenberg	D2/954	D659,960 S	5/2012	Bizzo	
D405,943 S *	2/1999	Merceron	D2/957	D660,568 S *	5/2012	Blakeslee	D2/951
D409,361 S *	5/1999	Greenberg	D2/957	D665,565 S	8/2012	Bizzo	
D427,758 S	7/2000	Schneider		D665,979 S	8/2012	Zappiello	
D430,966 S *	9/2000	Brady	D2/902	D667,619 S *	9/2012	Blakeslee	D2/951
6,305,100 B1 *	10/2001	Komarnycky	A43B 7/08 36/27	D671,723 S *	12/2012	Teteriatnikov	D2/947
D455,895 S *	4/2002	Yang	D2/951	D675,003 S *	1/2013	Leon	D2/950
D458,011 S *	6/2002	Yang	D2/953	D677,867 S	3/2013	Bizzo	
D470,303 S *	2/2003	Wu	D2/977	D684,348 S *	6/2013	Castellon	D2/951
D487,618 S	3/2004	Amado et al.		D693,553 S *	11/2013	McClaskie	D2/951
D501,293 S	2/2005	Bizzo		D701,380 S *	3/2014	Reed	D2/951
D503,028 S *	3/2005	Merceron	D2/947	D709,676 S *	7/2014	Iachini	D2/902
D503,521 S	4/2005	Bizzo		D722,750 S *	2/2015	Vella	D2/951
D503,847 S	4/2005	Bizzo		D725,359 S *	3/2015	Miner	D2/947
D507,397 S *	7/2005	McClaskie	D2/957	D727,002 S *	4/2015	Sassi	D2/944
D508,306 S	8/2005	Amado et al.		D728,911 S *	5/2015	Spring	D2/951
D513,358 S	1/2006	Amado et al.		D730,035 S *	5/2015	Henderson	D2/947
D515,787 S *	2/2006	Woods	D2/902	D730,640 S *	6/2015	Spring	D2/951
D533,991 S	12/2006	Amado et al.		D734,005 S *	7/2015	Seo	D2/947
D534,344 S	1/2007	Amado et al.		D735,454 S *	8/2015	Yun	D2/951
D535,087 S	1/2007	Amado et al.		D737,029 S *	8/2015	Bizzo	D2/947
D535,462 S	1/2007	Amado et al.		D737,030 S *	8/2015	Bizzo	D2/951
D542,215 S	5/2007	Jackson et al.		D737,031 S *	8/2015	Bizzo	D2/951
D542,513 S	5/2007	Amado et al.		D737,032 S *	8/2015	Bizzo	D2/951
D542,514 S	5/2007	Amado et al.		D737,558 S *	9/2015	Bizzo	D2/951
D545,034 S	6/2007	Amado et al.		D740,007 S *	10/2015	Lan	D2/951
D553,335 S	10/2007	Amado et al.		D746,562 S *	1/2016	Babcock	D2/951
D556,431 S	12/2007	Amado et al.		D747,859 S *	1/2016	Henderson	D2/947
D556,437 S	12/2007	Amado et al.		D748,386 S *	2/2016	Henderson	D2/947
D561,457 S *	2/2008	Andersen	D2/916	2011/0289799 A1 *	12/2011	Keating	A43B 7/144 36/103
D561,988 S *	2/2008	Andersen	D2/916	2012/0079747 A1 *	4/2012	Seo	A43B 13/183 36/25 R
D566,932 S	4/2008	Amado et al.		2012/0167416 A1 *	7/2012	Christensen	A43B 3/0057 36/103
D570,081 S *	6/2008	Longuet	D2/953	2013/0185956 A1 *	7/2013	Biancucci	A43B 3/26 36/28
D575,039 S	8/2008	Amado et al.		2015/0101215 A1 *	4/2015	Henderson	A43B 3/0057 36/103
D583,136 S	12/2008	Amado et al.		2015/0143722 A1 *	5/2015	Faggin	A43B 3/108 36/25 R
D593,742 S *	6/2009	Issler	D2/951				
D595,487 S *	7/2009	Issler	D2/951				

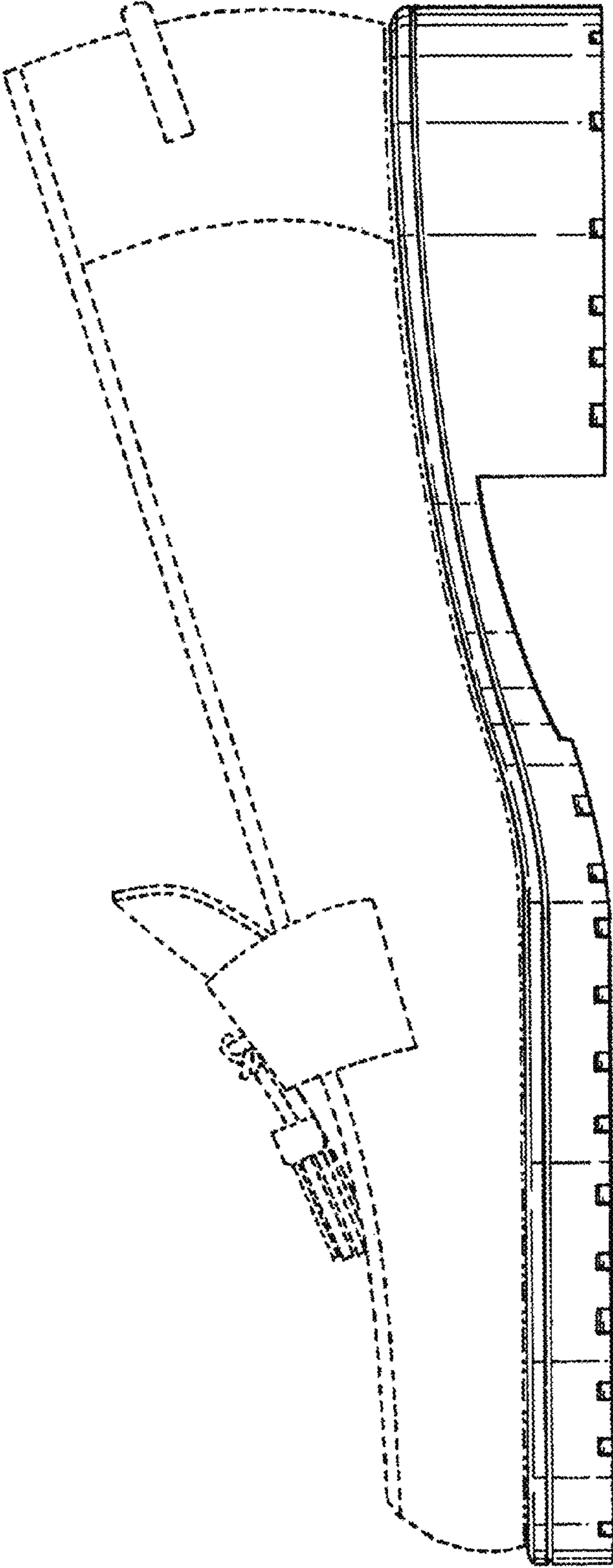
\* cited by examiner



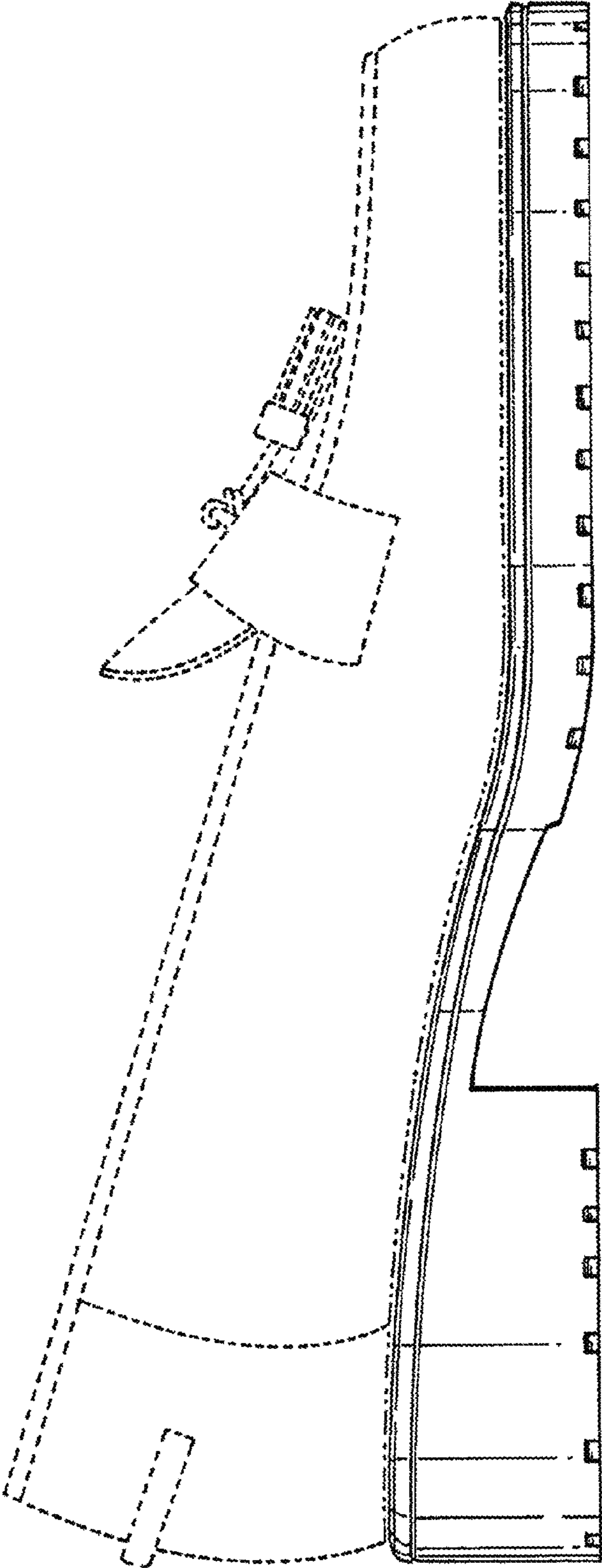


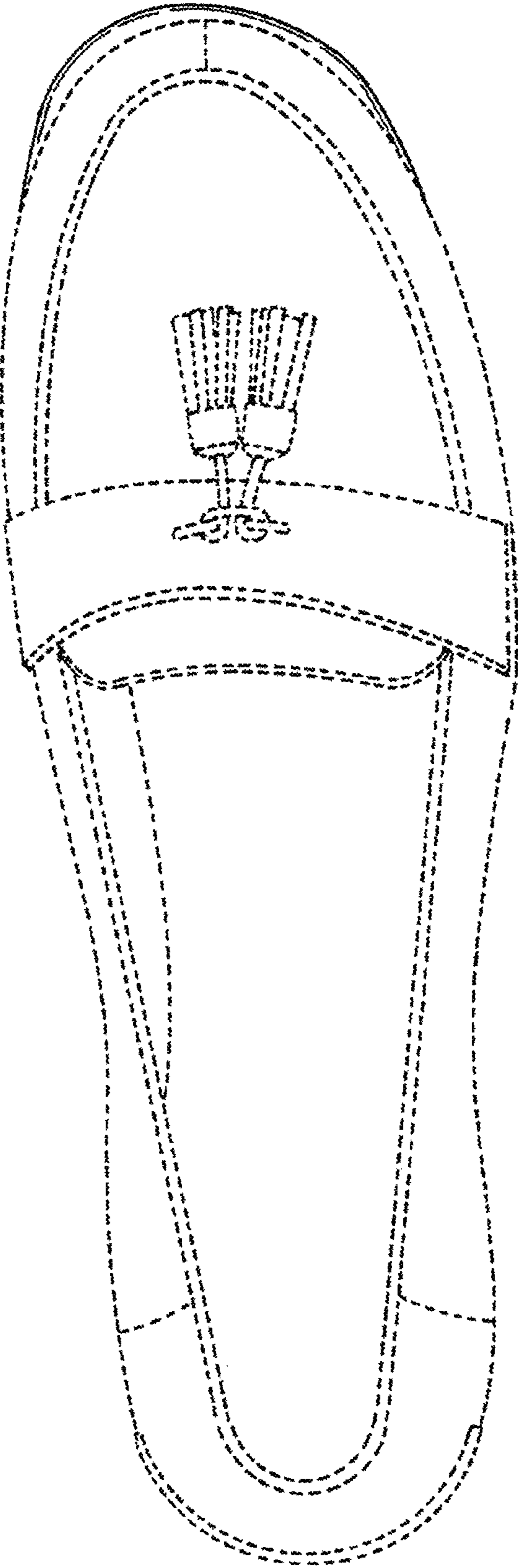
**Fig. 1**

**Fig. 2**



**Fig. 3**

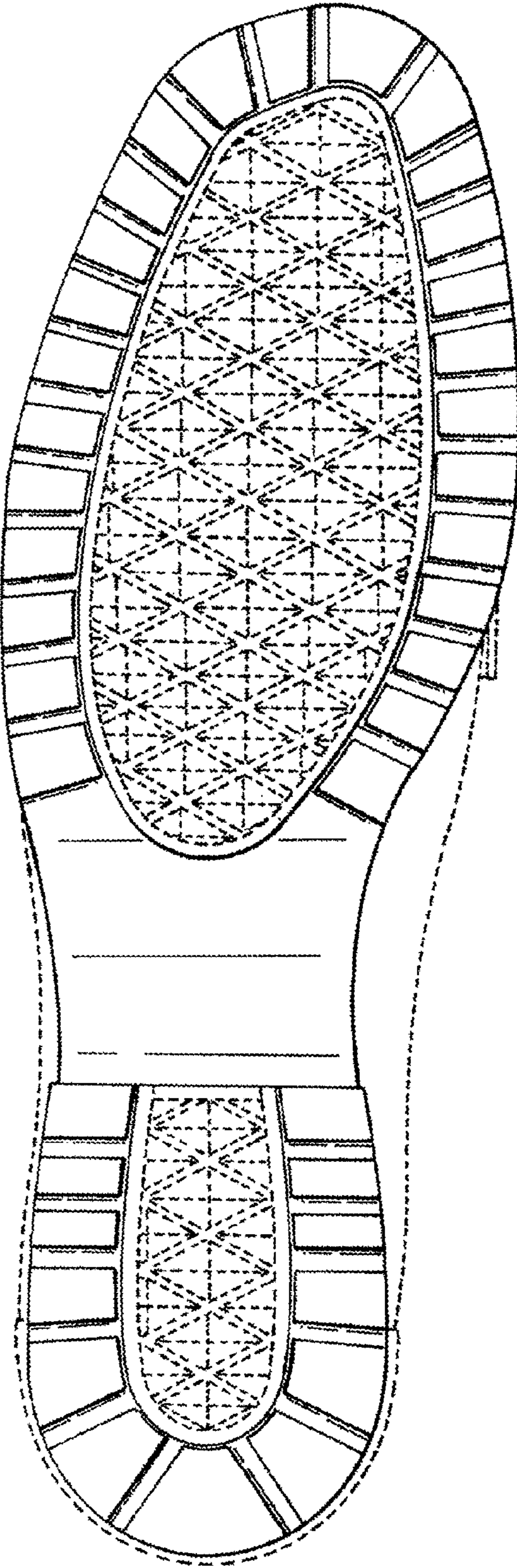




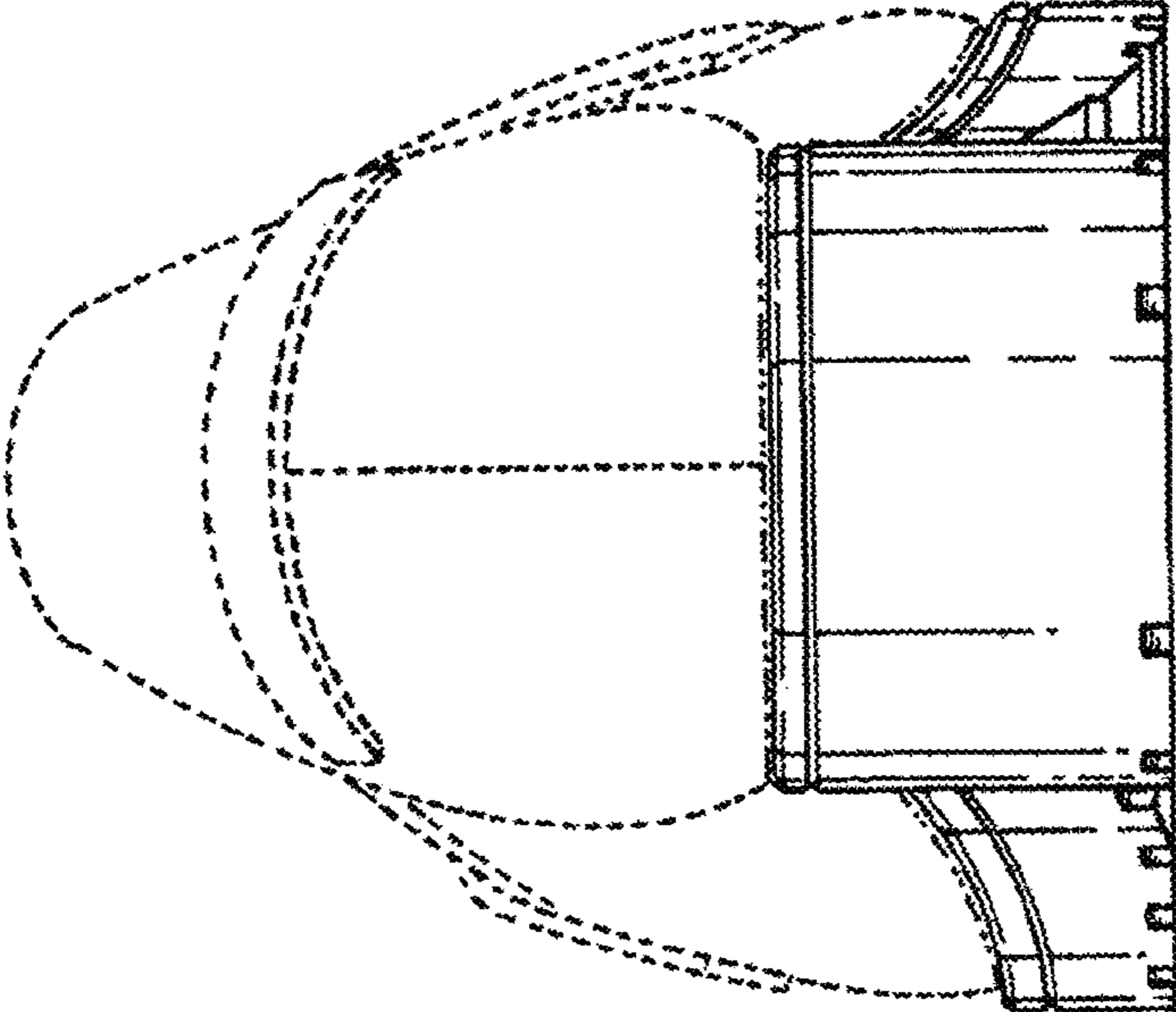
**Fig. 4**



**Fig. 5**



**Fig. 7**



**Fig. 6**

