

US00D755478S

(12) **United States Design Patent**
Grosbøl

(10) **Patent No.:** **US D755,478 S**

(45) **Date of Patent:** **** *May 10, 2016**

(54) **JACKET**

(71) Applicant: **Mascot International A/S**, Silkeborg (DK)

(72) Inventor: **Michael Grosbøl**, Silkeborg (DK)

(73) Assignee: **Mascot International A/S** (DK)

(*) Notice: This patent is subject to a terminal disclaimer.

(**) Term: **14 Years**

(21) Appl. No.: **29/471,700**

(22) Filed: **Nov. 4, 2013**

(51) **LOC (10) Cl.** **02-02**

(52) **U.S. Cl.**
USPC **D2/828**

(58) **Field of Classification Search**
USPC D2/828, 999, 728, 840, 750, 724, 847,
D2/830; 2/93, 108, 125, 95, DIG. 1, 102
CPC A41D 1/00; A41D 1/02; A41D 1/04;
A41D 1/22; A41D 27/00; A41D 27/28;
A41D 3/00; A41D 3/08; Y10S 2/01; Y10S
2/03

See application file for complete search history.

(56) **References Cited**

U.S. PATENT DOCUMENTS

6,163,883 A * 12/2000 Hong 2/69
D618,440 S * 6/2010 Parker D2/828
D654,664 S * 2/2012 Evans et al. D2/839

D679,072 S * 4/2013 Abbevik et al. D2/828
8,522,369 B2 * 9/2013 Bay 2/461
D707,017 S * 6/2014 Wolf et al. D2/830
2008/0184454 A1 * 8/2008 Collier 2/93

* cited by examiner

Primary Examiner — Wan Laymon

Assistant Examiner — Mark Booker

(74) *Attorney, Agent, or Firm* — Mayback & Hoffman, P.A.;
Gregory L. Mayback

(57) **CLAIM**

The ornamental design for a jacket, as shown and described.

DESCRIPTION

FIG. 1 is a front elevational view of the jacket showing my new design;

FIG. 2 is a rear elevational view thereof;

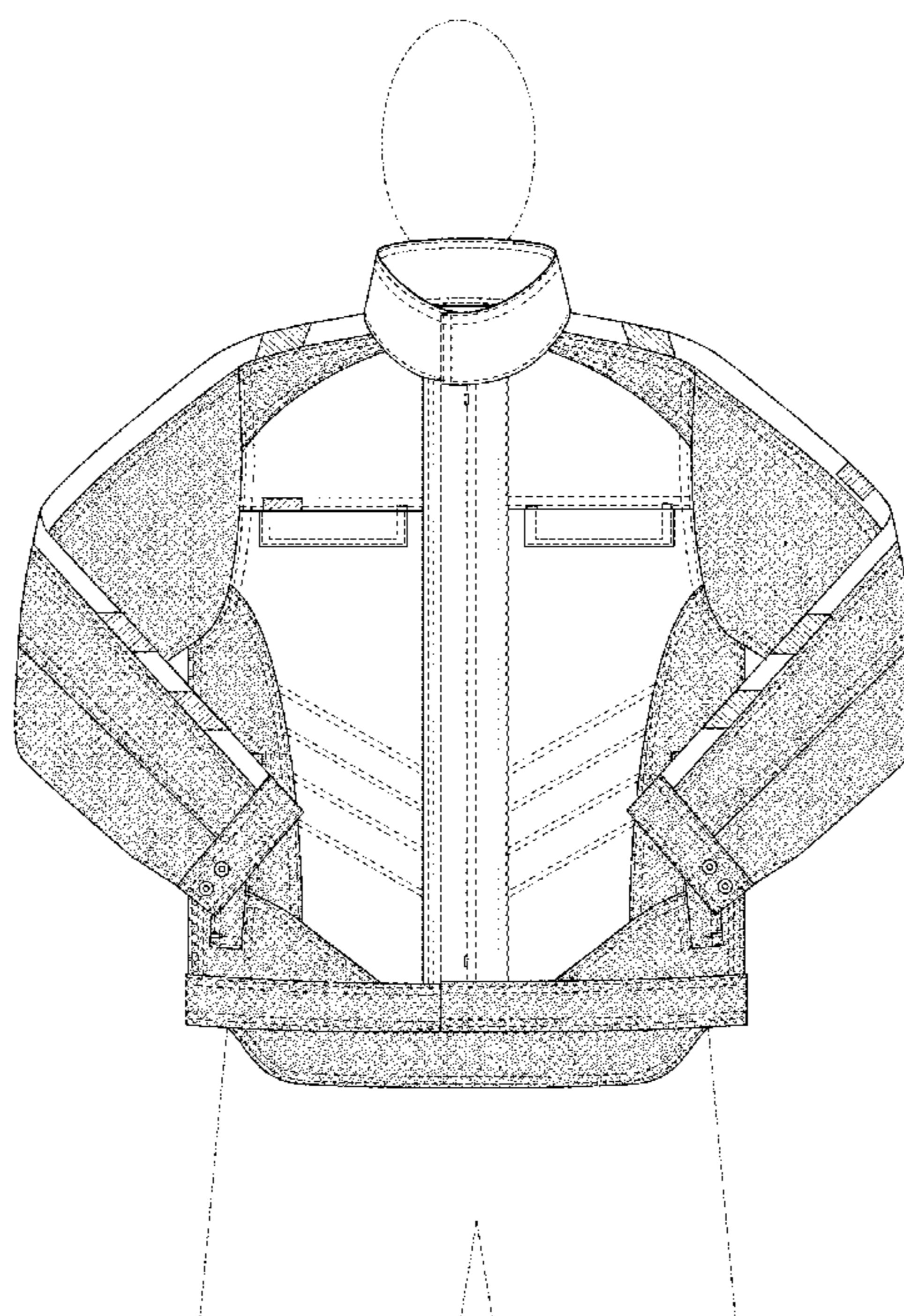
FIG. 3 is a left side elevational view thereof, the right side being a mirror image thereof with the exception of the rectangular hatched area on the left arm that is not present on the right arm;

FIG. 4 is a top plan view thereof; and,

FIG. 5 is a bottom plan view thereof.

The dash-dash lines in FIGS. 1 through 5 of the jacket are for the purpose of illustrating stitching lines and are part of the claimed design. The hatched areas, shown in FIGS. 1 through 4, represent contrasted surfaces unlimited by colors. The stippled areas, shown in FIGS. 1 through 4, represent contrasted surfaces unlimited by colors. The dash-dot-dash lines showing a person in FIGS. 1 and 2 of the jacket are for the purpose of illustrating environment, and form no part of the claimed design.

1 Claim, 5 Drawing Sheets



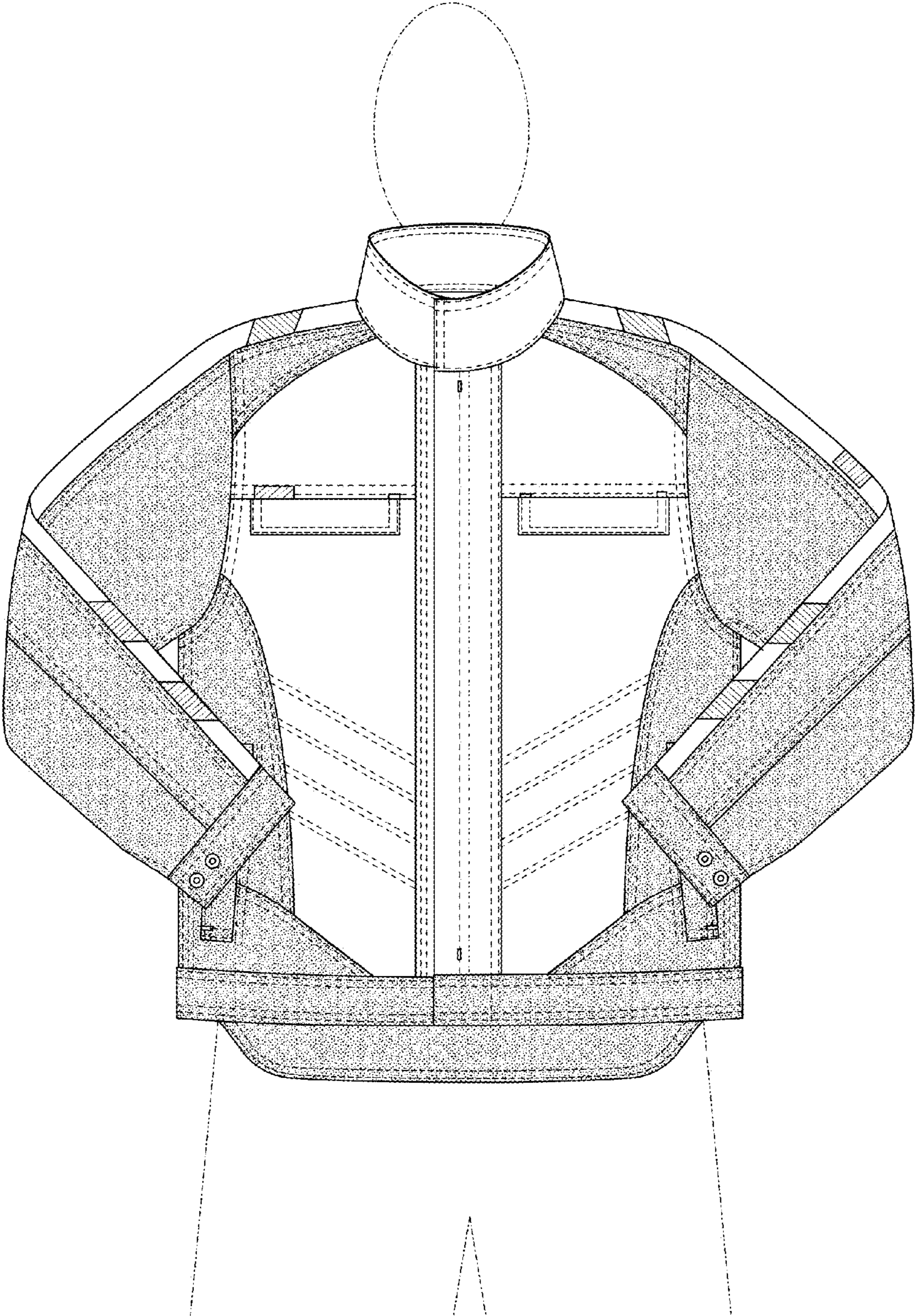


FIG. 1

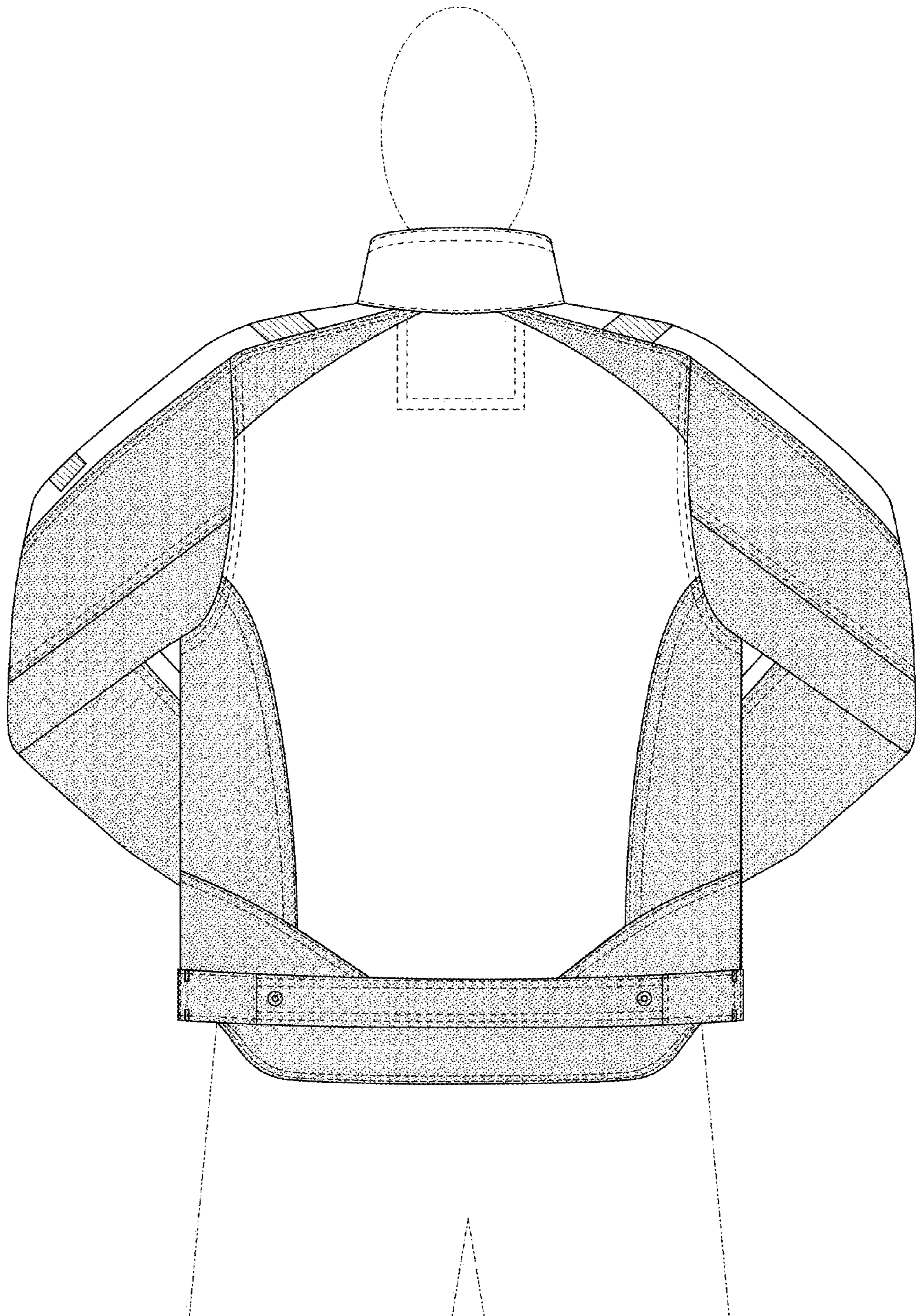


FIG. 2

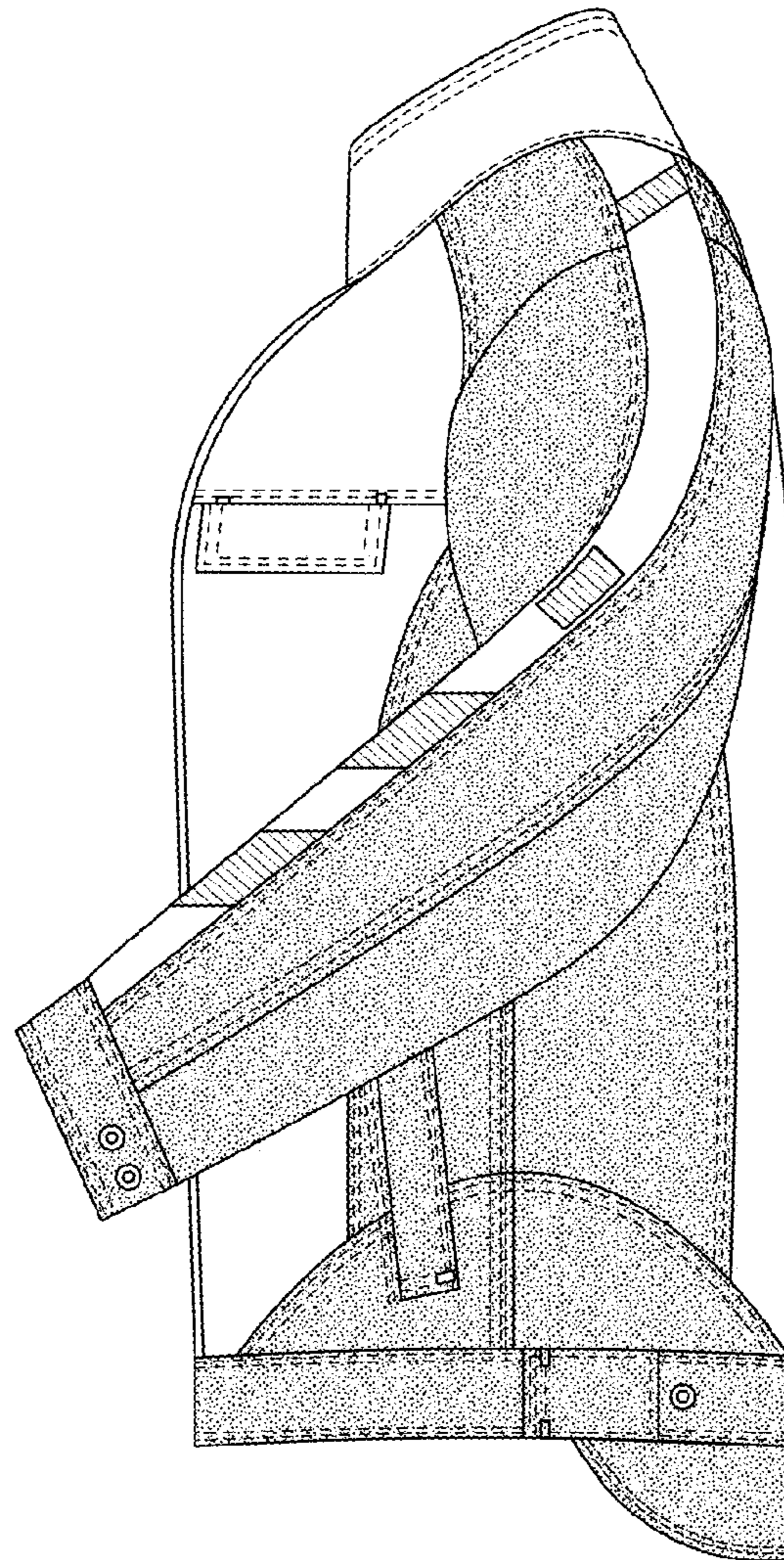


FIG. 3

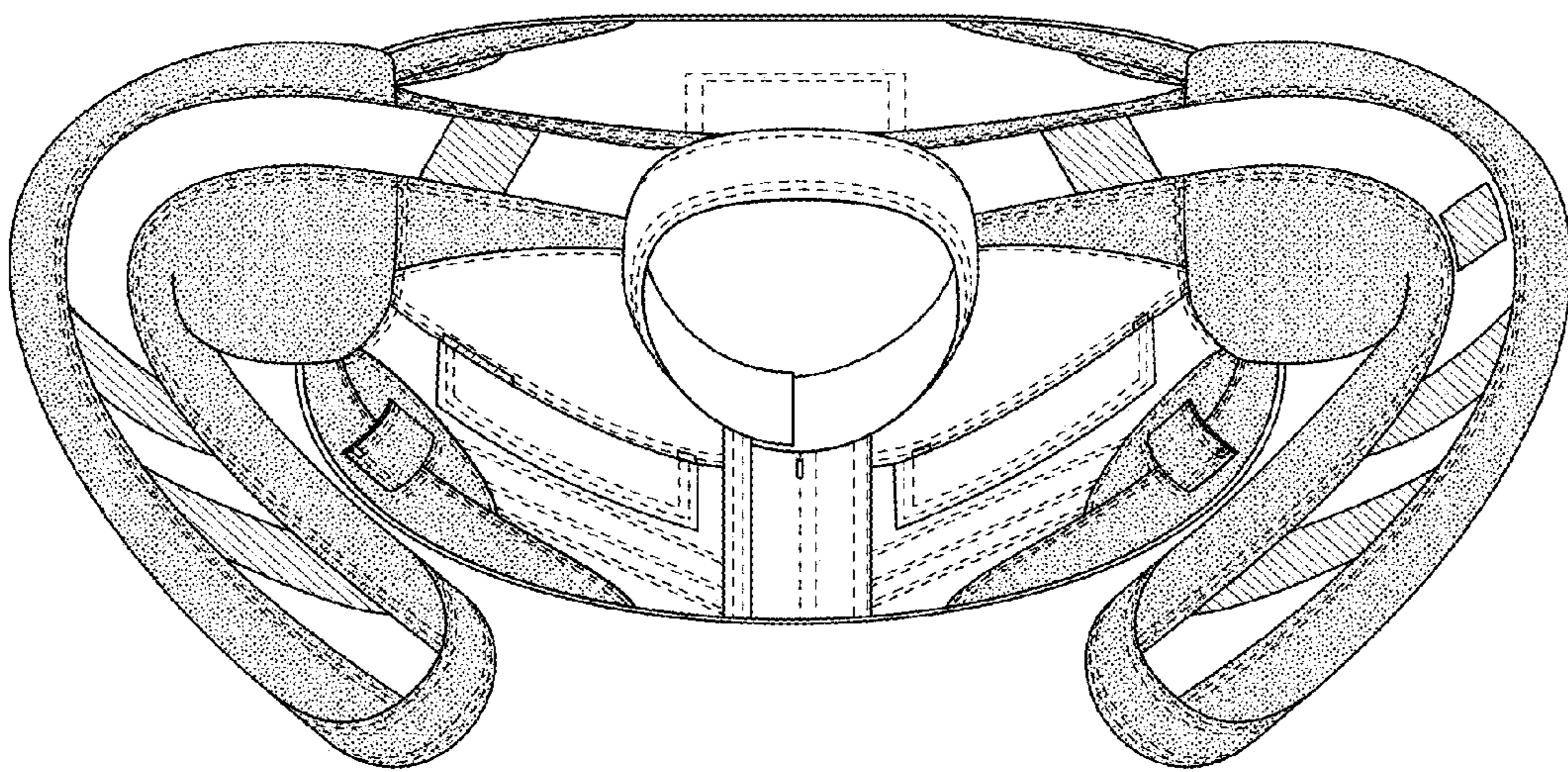


FIG. 4

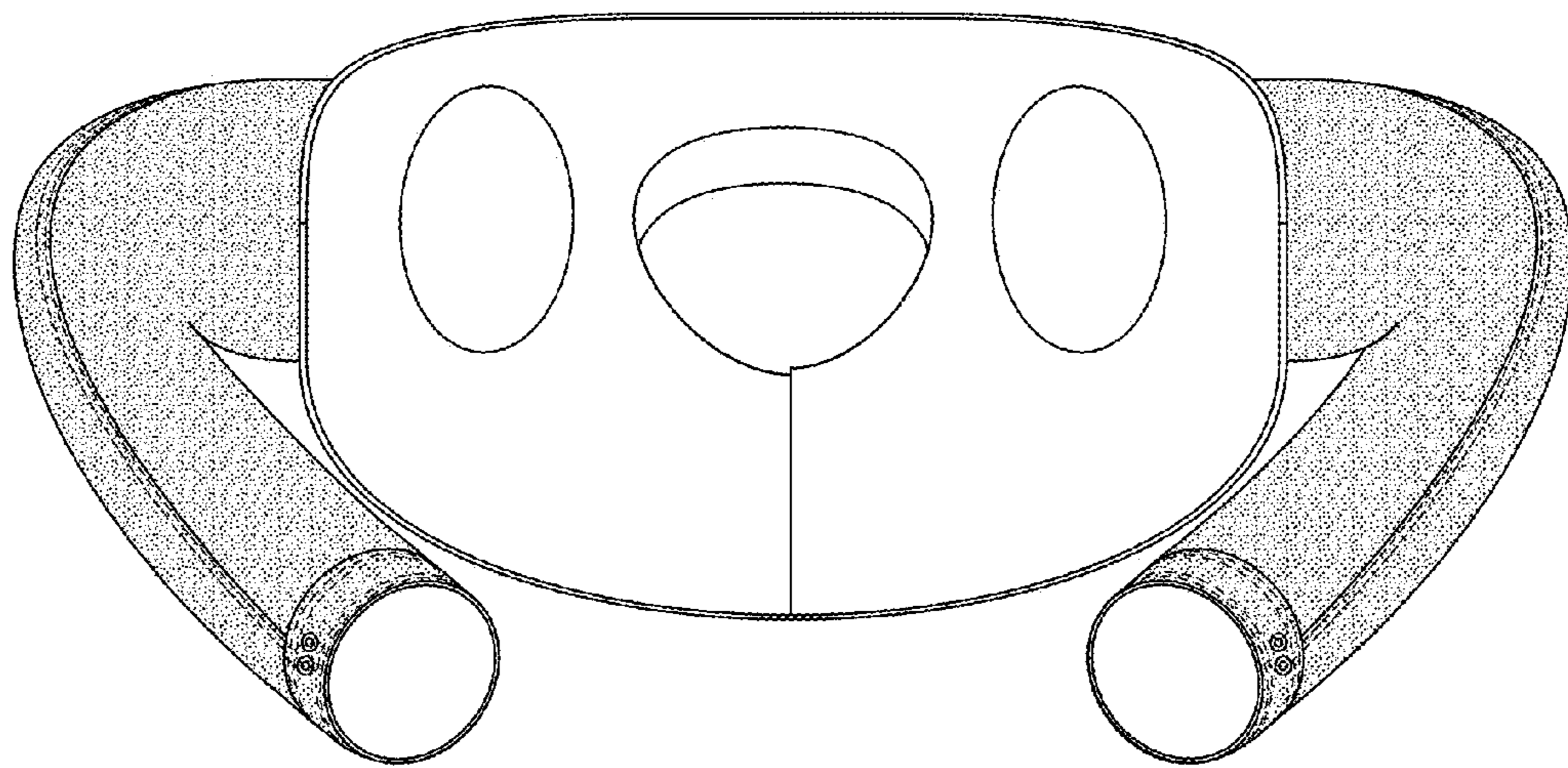


FIG. 5