



US00D755470S

(12) **United States Design Patent**
Crier Hosein

(10) **Patent No.:** **US D755,470 S**

(45) **Date of Patent:** **** *May 10, 2016**

(54) **MATERNITY UNDERGARMENT**

(71) Applicant: **Felisha Crier Hosein**, Miami, FL (US)

(72) Inventor: **Felisha Crier Hosein**, Miami, FL (US)

(*) Notice: This patent is subject to a terminal disclaimer.

(**) Term: **14 Years**

(21) Appl. No.: **29/474,000**

(22) Filed: **Nov. 27, 2013**

(51) **LOC (10) Cl.** **02-01**

(52) **U.S. Cl.**
USPC **D2/712**

(58) **Field of Classification Search**

USPC 2/67, 73, 76, 78.1, 78.2, 78.3, 78.4,
2/400, 401, 402, 403, 406, 407, 408,
2/267; 600/38, 39, 41; 604/308, 331,
604/347, 354, 358, 395, 396, 399, 400, 401,
604/402; D02/700, 701, 705, 711, 712,
D02/713, 716, 731, 737, 853; D24/122,
D24/124, 125, 126, 127, 128, 189, 215;
D29/101.5; 450/94, 97, 100, 102, 103,
450/104, 136, 153
CPC A41B 9/00; A41B 9/02; A41B 9/04;
A41B 9/12; A41B 9/001; A41B 9/002;
A41B 9/004; A41B 9/005; A41B 9/007;
A41B 9/008; A41B 9/023; A41B 9/026;
A41B 1/04; A41B 2300/00; A41B 2300/32;
A41B 2300/33; A41B 2300/328; A41B
2400/52; A41B 2400/322; A41B 2400/324;
A41B 23/30; A61F 13/49003; A61F
13/49004; A61F 13/68; A61F 13/472; A61F
13/15268; A61F 13/49

See application file for complete search history.

(56) **References Cited**

U.S. PATENT DOCUMENTS

2,584,279 A	2/1952	McDowell	
2,840,822 A	7/1958	Ericsson	
3,174,482 A	3/1965	Parrott	
3,454,003 A	7/1969	Kleber-Sailhen	
3,621,849 A	11/1971	Williams	
3,913,816 A	10/1975	Jureit et al.	
4,506,391 A	3/1985	Rodman	
4,557,268 A	12/1985	Maddus et al.	
4,976,653 A *	12/1990	White	450/155
5,315,716 A	5/1994	Baum	

(Continued)

OTHER PUBLICATIONS

Cezara Belly Support Panty [online]. Cezara [retrieved on Aug. 19, 2014]. Retrieved from the internet<<http://www.cezarapanty.com/welcome.html>>.*

(Continued)

Primary Examiner — Mary Ann Calabrese
Assistant Examiner — Jennifer L Rempfer
(74) *Attorney, Agent, or Firm* — Feldman Gale, P.A.

(57) **CLAIM**

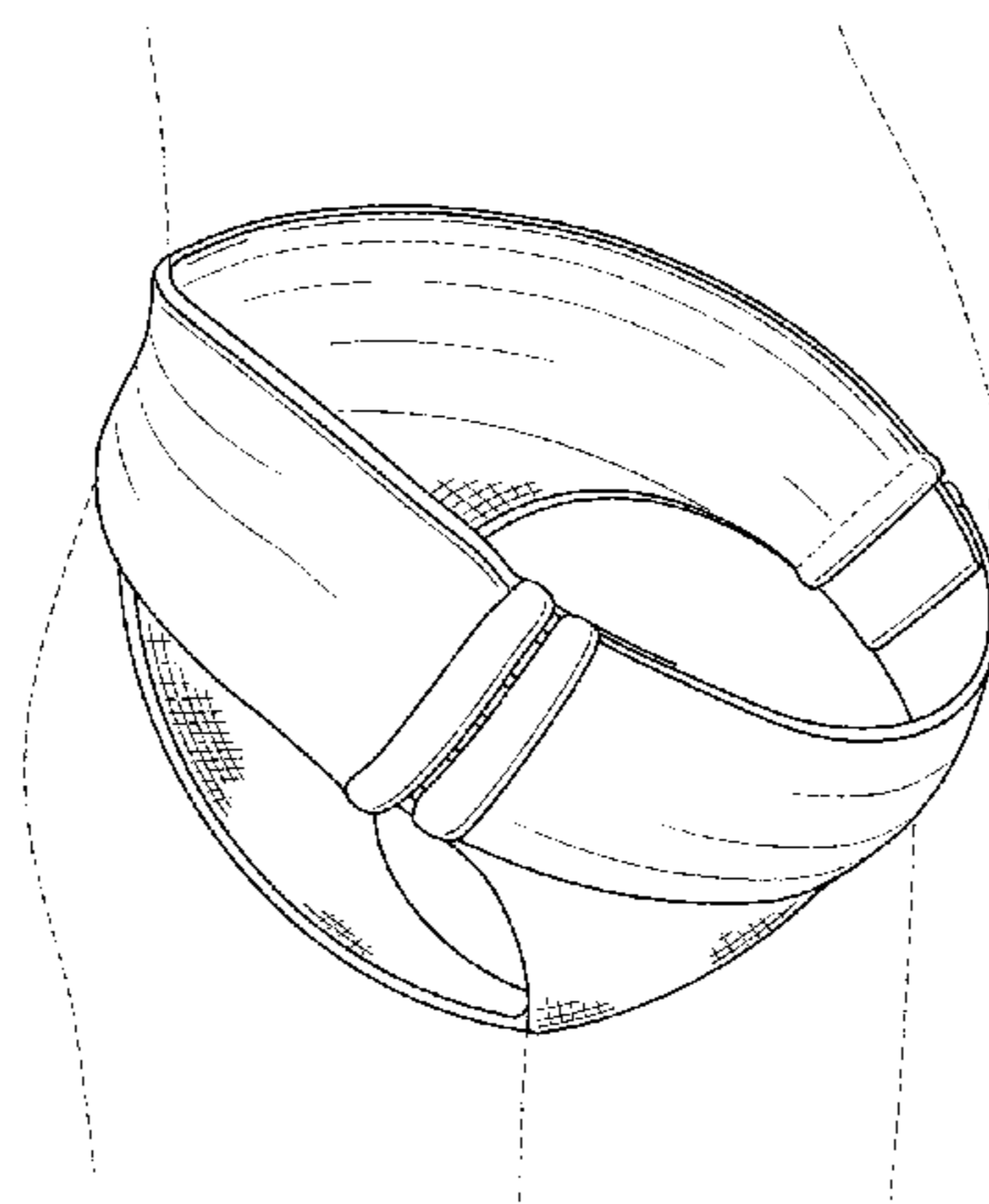
The ornamental design for a maternity undergarment, as shown and described.

DESCRIPTION

FIG. 1 is a perspective view of a maternity undergarment showing the new design, shown in an environment of use; FIG. 2 is a top view of the maternity undergarment of FIG. 1; FIG. 3 is a front view of the maternity undergarment of FIG. 1, shown in an environment of use; FIG. 4 is a side view of the maternity undergarment of FIG. 1, shown in an environment of use; FIG. 5 is a rear view of the maternity undergarment of FIG. 1, shown in an environment of use; and, FIG. 6 is a bottom view of the maternity undergarment of FIG. 1.

The broken lines shown within the claimed surface of the maternity undergarment in FIG. 1 represent stitching. All other broken lines illustrate environment and form no part of the claimed design.

1 Claim, 4 Drawing Sheets



(56)

References Cited

U.S. PATENT DOCUMENTS

D352,812 S * 11/1994 Van Laar D2/712
 5,613,893 A * 3/1997 Zagame
 5,743,783 A * 4/1998 Weber-Unger 450/155
 D402,438 S * 12/1998 Sanchez et al. D2/713
 D450,911 S * 11/2001 Bell D2/712
 6,620,026 B1 * 9/2003 Guilani et al. 450/155
 D547,861 S * 7/2007 Chang D24/126
 D584,481 S * 1/2009 Blumenfeld D2/712
 7,814,575 B2 10/2010 Hendrickson et al.
 D672,529 S * 12/2012 Lucas et al. D2/716
 8,321,964 B2 * 12/2012 Gernes 2/400
 D679,068 S 4/2013 Denning
 D679,069 S 4/2013 Denning
 D679,070 S 4/2013 Denning
 D682,509 S 5/2013 Denning
 D683,519 S 6/2013 Denning
 D693,090 S 11/2013 Denning
 D694,413 S * 11/2013 Fowler D24/189
 D701,674 S 4/2014 Denning
 2004/0083537 A1 * 5/2004 Mosha et al. 2/400
 2009/0204088 A1 * 8/2009 Stearman et al. 604/385.01
 2010/0094237 A1 * 4/2010 Margolis et al. 604/385.01

2011/0238023 A1 * 9/2011 Slayton 604/329
 2013/0152280 A1 * 6/2013 Earls 2/404
 2013/0239300 A1 9/2013 Denning
 2013/0283502 A1 10/2013 Denning
 2014/0148080 A1 * 5/2014 Hosein 450/155

OTHER PUBLICATIONS

Maternity Postpartum Underwear Girdle [online]. Shijiazhuang Aofeite Medical Device Co., Ltd. [retrieved on Aug. 19, 2014]. Retrieved from the internet<http://cnxuda.en.alibaba.com/...40-219214868/2013_hot_New_Postpartum_Maternity_Post_Pregnancy_Underwear_Support_Girdle_Shaper_Middle_waist_Panty.html>.*
 Cezara Belly Support Panty (Online), Cezara (Retrieved Aug. 19, 2014), Retrieved from the Internet:, <http://www.cezarapanty.com/welcome.html>.
 Maternity Postpartum Underwear Girdle (Online), Shijiazhuang Aofeite Medical Device Co., Ltd. (Retrieved Aug. 19, 2014), Retrieved from the Internet: <http://cnxuda.en.aliaba.com/...40-219214868/2013_hot_New_Postpartum_Maternity_Post_Pregnancy_Underwear_Support_Girdle_Shaper_Middle_waist_Panty.html>.

* cited by examiner

FIG. 1

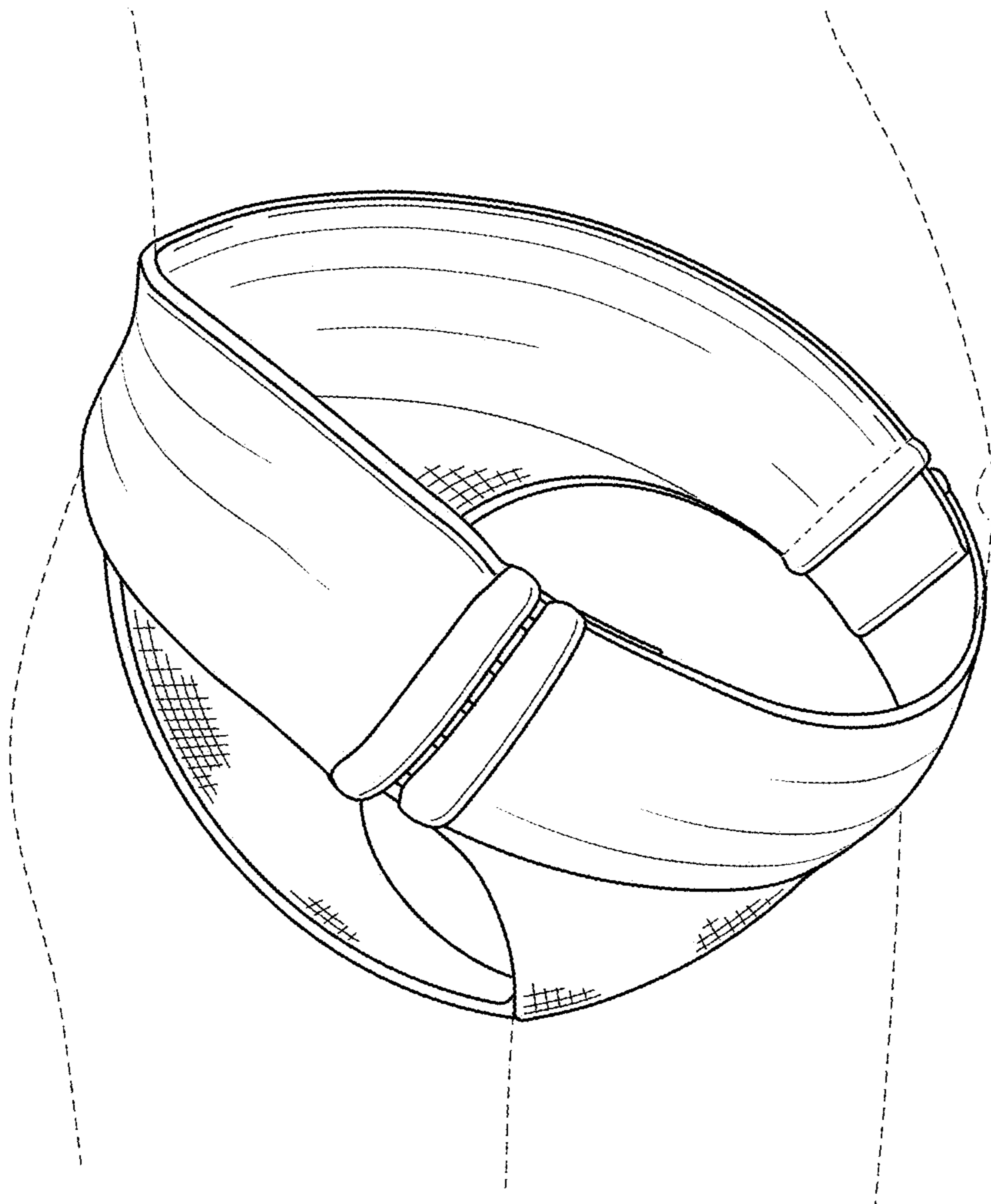


FIG. 2

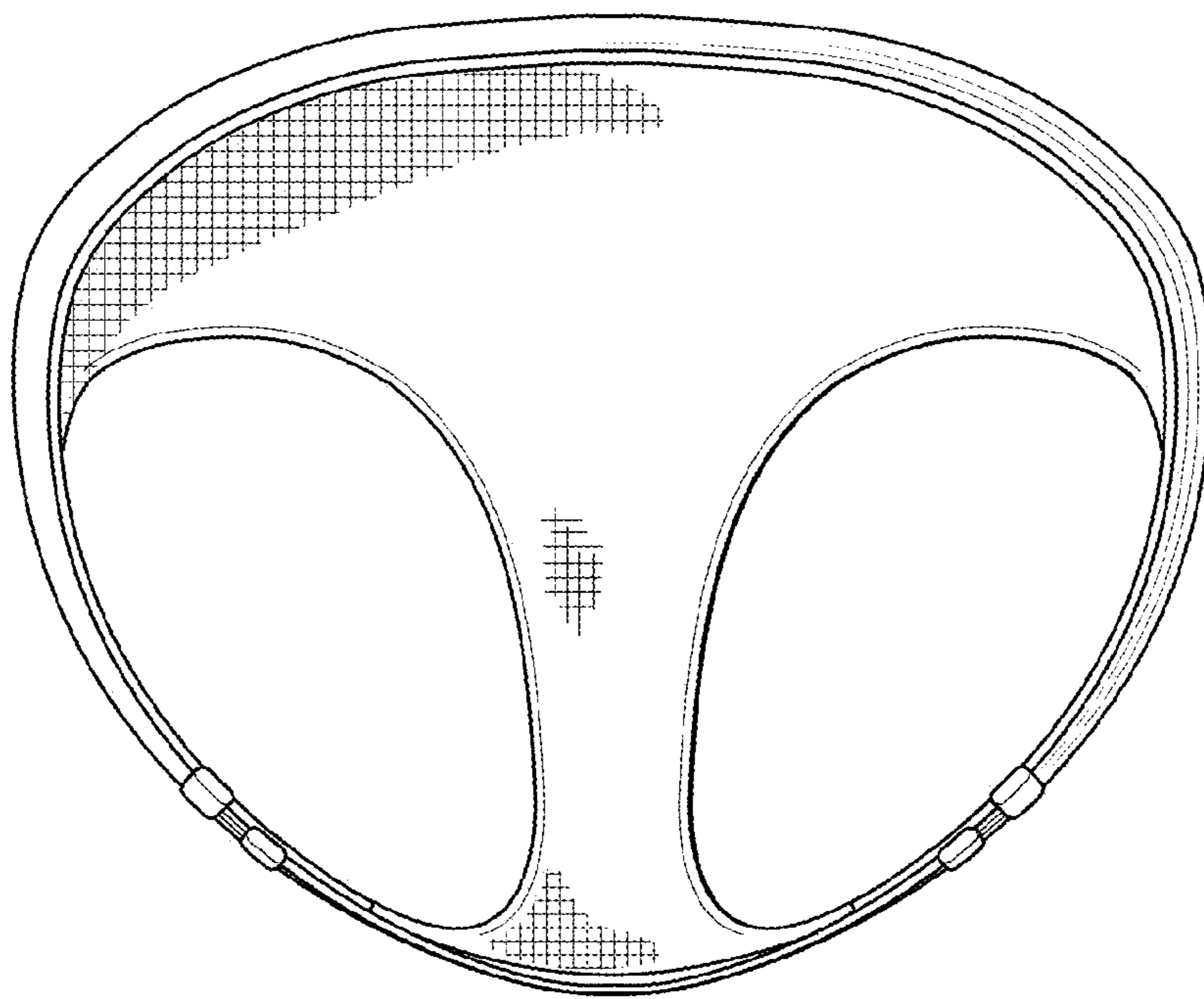


FIG. 3

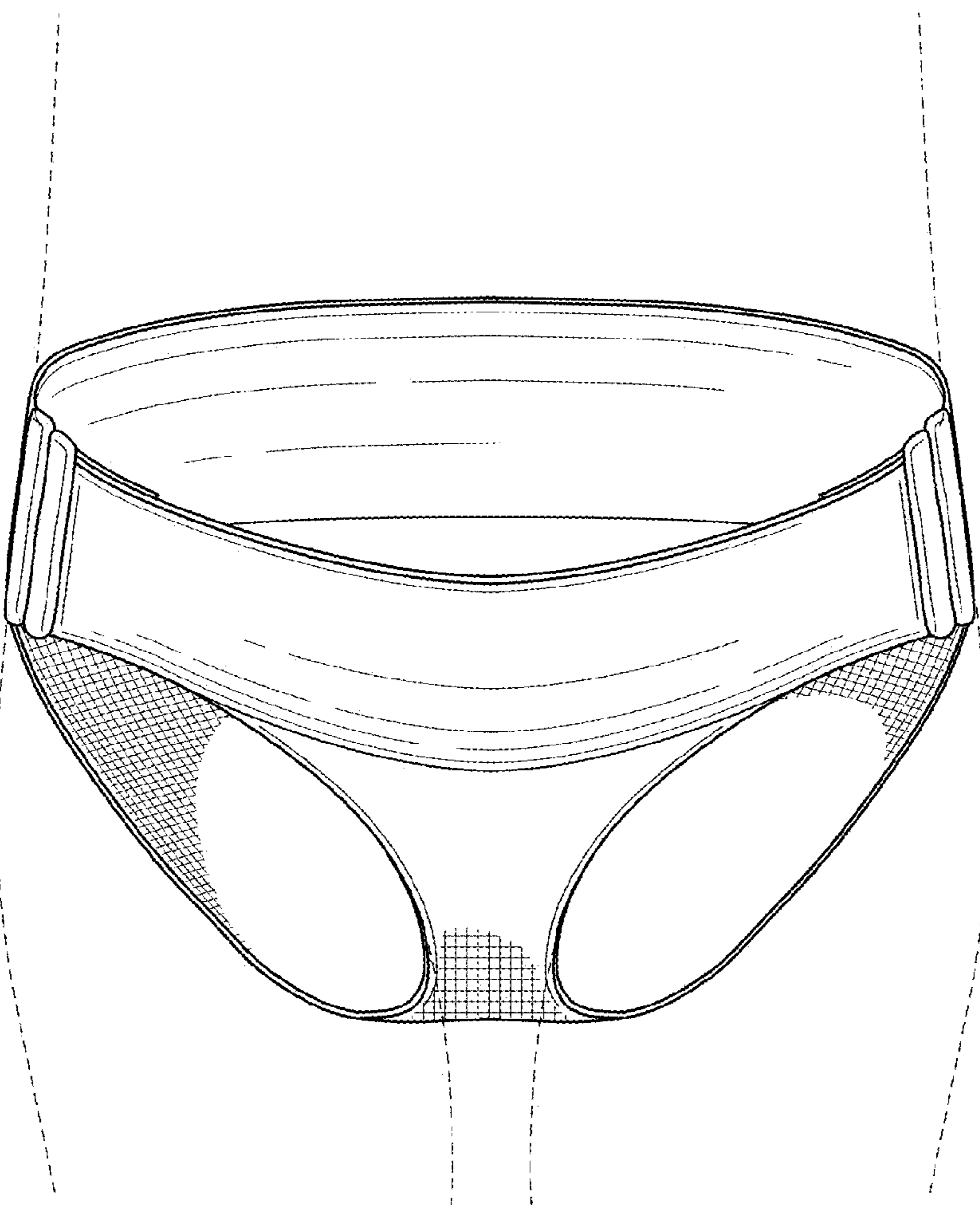


FIG. 4

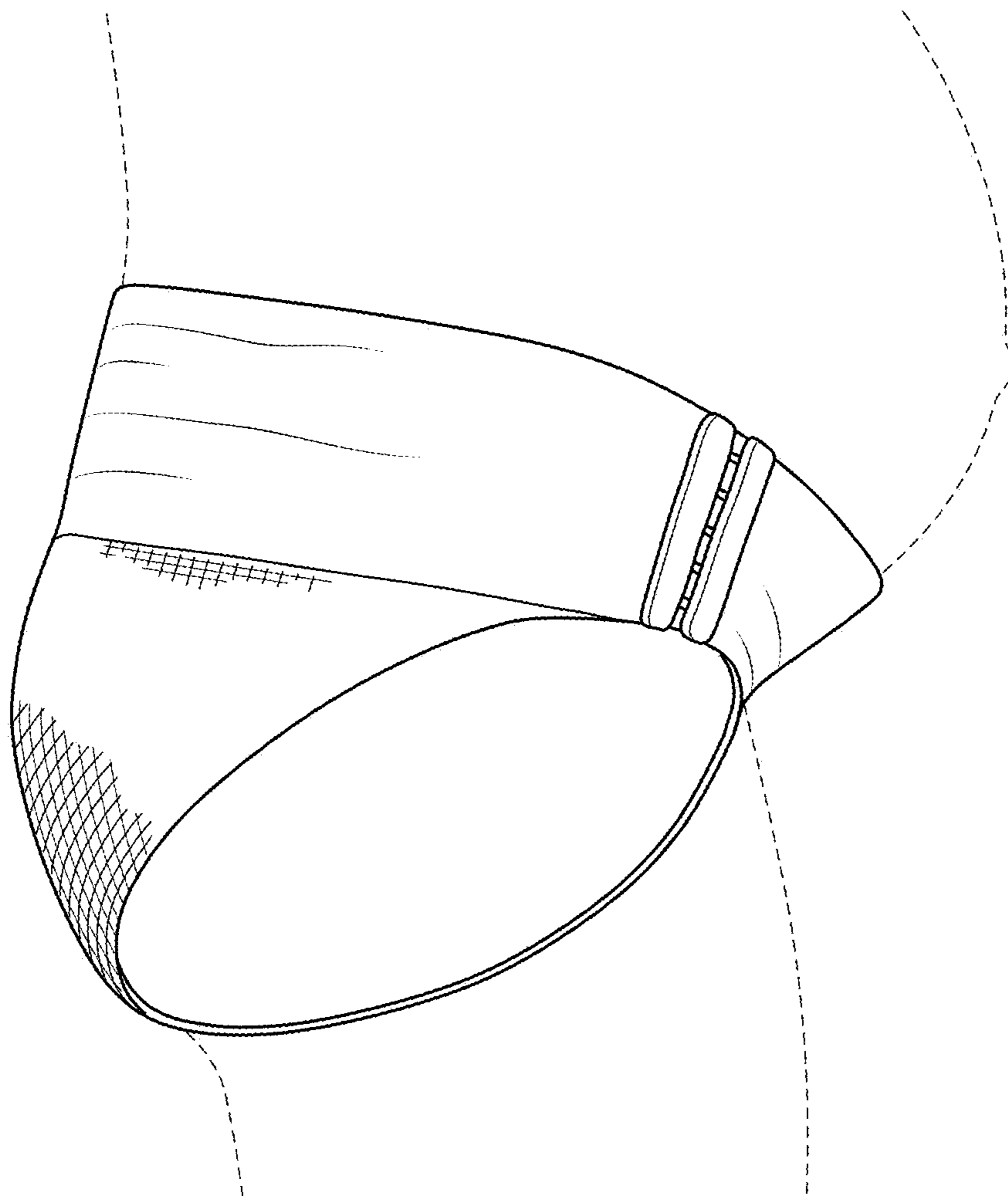


FIG. 5

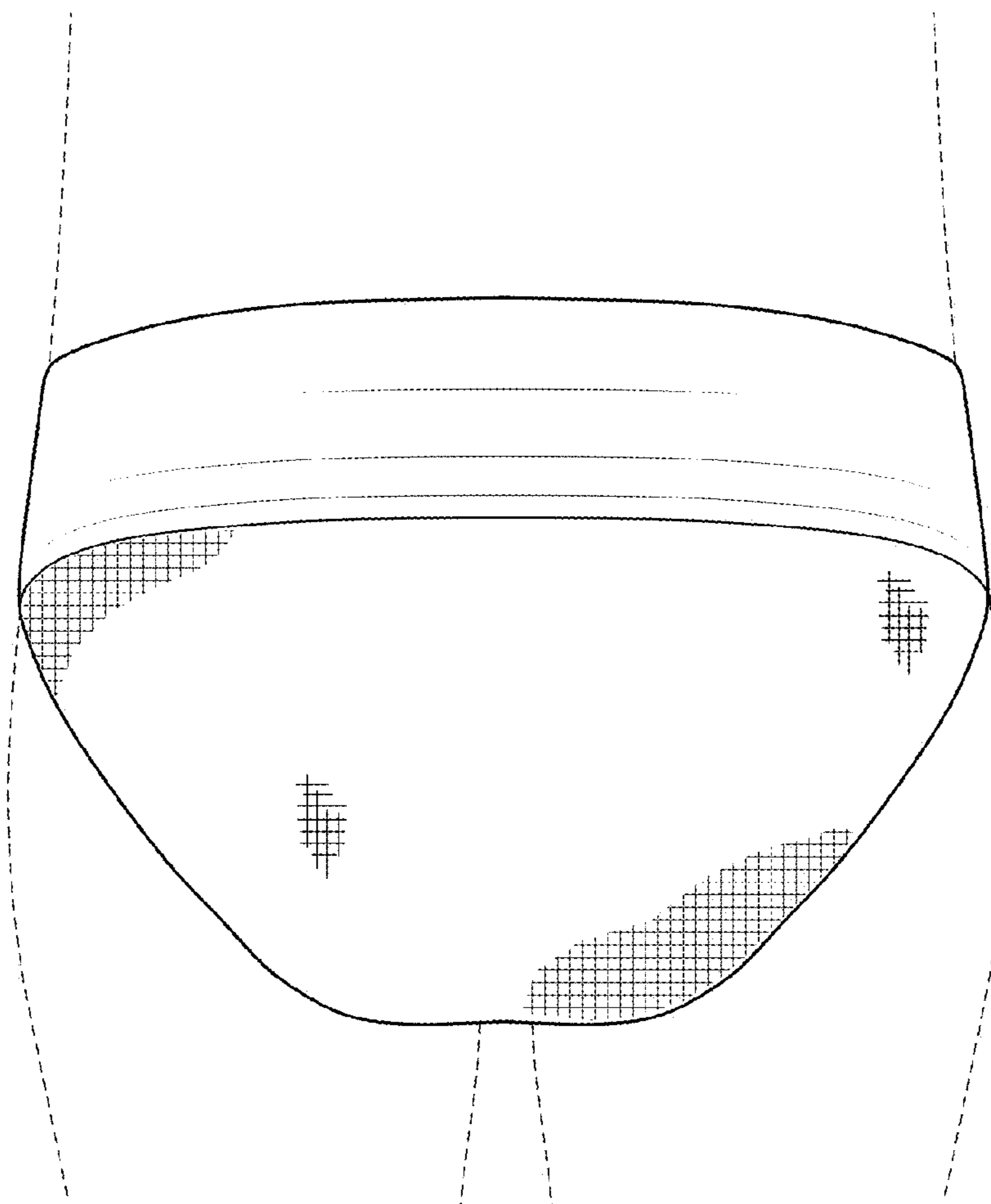


FIG. 6

