



US00D755466S

(12) **United States Design Patent**
Jani et al.

(10) **Patent No.:** **US D755,466 S**
(45) **Date of Patent:** **** May 10, 2016**

- (54) **CONFECTIONARY**
- (71) Applicant: **Intercontinental Great Brands LLC**,
East Hanover, NJ (US)
- (72) Inventors: **Bharat Jani**, East Brunswick, NJ (US);
Cesar C. Elejalde, Randolph, NJ (US);
Colleen Kramer, Denville, NJ (US);
Simone O'Neill, Wayne, NJ (US); **Aditi**
Shetty, Morris Plains, NJ (US); **Devang**
Sutaria, Landing, NJ (US)
- (73) Assignee: **INTERCONTINENTAL GREAT**
BRANDS LLC, East Hanover, NJ (US)
- (**) Term: **14 Years**
- (21) Appl. No.: **29/445,637**
- (22) Filed: **Feb. 14, 2013**

1,429,405 A	9/1922	Carter et al.
1,771,981 A	7/1930	Mustin
1,771,982 A	7/1930	Mustin
1,855,145 A	4/1932	Jones
1,886,763 A	11/1932	Trettin
2,027,596 A	5/1933	Kurz
2,039,398 A	5/1936	Dye
2,060,490 A	11/1936	Borbely
2,213,687 A	9/1940	Brassert
D137,202 S	2/1944	Scott
2,613,185 A	10/1952	Marshall
2,685,517 A	8/1954	Dunmire
D202,920 S	11/1965	Muesing
3,549,389 A	12/1970	Peterson
D223,759 S	6/1972	File et al.
4,083,155 A	4/1978	Lampert
4,260,635 A	4/1981	Fisher
D271,439 S	11/1983	Schumacher
D271,534 S	11/1983	Huzinec
4,455,321 A	6/1984	Glabe et al.
4,751,096 A	6/1988	Nada et al.
4,781,929 A	11/1988	Hoashi

(Continued)

Related U.S. Application Data

- (62) Division of application No. 29/399,657, filed on Aug. 17, 2011, now Pat. No. Des. 686,386.
- (51) **LOC (10) Cl.** **01-01**
- (52) **U.S. Cl.**
USPC **D1/127**
- (58) **Field of Classification Search**
USPC D1/100-199; D24/101, 102; 426/3, 5,
426/87, 89, 92, 103, 104, 129, 138, 144,
426/249, 660, 383, 512, 516, 808; 424/467;
D25/113, 119, 121-132; D21/499;
D5/55-58, 62
See application file for complete search history.

References Cited

U.S. PATENT DOCUMENTS

- 692,323 A 2/1902 Marine
- D42,162 S 2/1912 Boeckel

Primary Examiner — Barbara Fox

(74) *Attorney, Agent, or Firm* — Cantor Colburn LLP

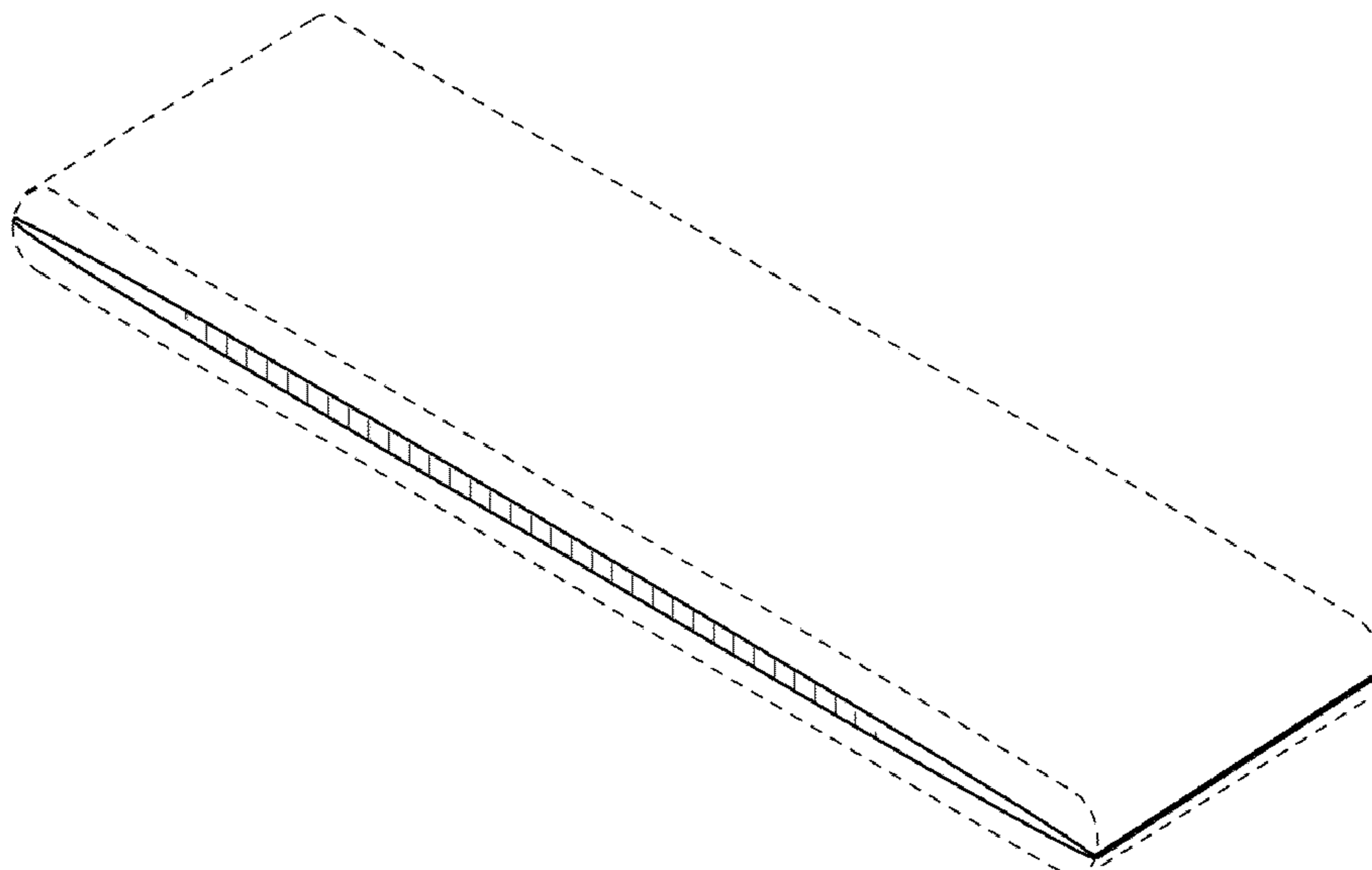
(57) **CLAIM**

We claim, the ornamental design for a confectionary, as shown and described.

DESCRIPTION

FIG. 1 is a perspective view of a confectionary showing our new design;
 FIG. 2 is a side elevation view thereof, the opposite side view being a mirror image thereof;
 FIG. 3 is a top plan view of the confectionary shown in FIG. 1, the bottom view being a mirror image thereof; and,
 FIG. 4 is a front elevation view of the confectionary shown in FIG. 1, the back view being a mirror image thereof.
 The broken lines shown in the drawings represent portions of the confectionary that form no part of the claimed design.

1 Claim, 1 Drawing Sheet



(56)

References Cited

U.S. PATENT DOCUMENTS

4,822,622	A	4/1989	Dokuzovic et al.	D605,828	S	12/2009	Brown et al.	
4,889,729	A	12/1989	Aujourd'hui	D607,180	S	1/2010	Slusarczyk et al.	
D315,437	S	3/1991	Stein	D607,181	S	1/2010	Slusarczyk et al.	
5,091,198	A	2/1992	Hoashi	D616,177	S	5/2010	Brown et al.	
5,712,030	A	1/1998	Goto et al.	D617,079	S	6/2010	Brown et al.	
5,834,044	A	11/1998	Schmitz et al.	D641,947	S	7/2011	Bruyea et al.	
5,928,692	A	7/1999	Mayfield	D641,950	S	7/2011	Bruyea et al.	
D426,935	S	6/2000	Zaug et al.	D641,953	S	7/2011	Bruyea et al.	
D431,342	S	10/2000	Wright et al.	D644,001	S	8/2011	Bruyea et al.	
D433,083	S	10/2000	Griffith	D647,276	S	10/2011	Bruyea et al.	
D439,392	S	3/2001	Kauffman et al.	D655,067	S	3/2012	Bruyea et al.	
D462,458	S	9/2002	Hughes et al.	D655,068	S	3/2012	Bruyea et al.	
6,562,382	B1	5/2003	Corriveau et al.	2004/0247746	A1	12/2004	Pearce et al.	
D478,706	S	8/2003	Cotten	2006/0204451	A1	9/2006	Salini	
D485,963	S	2/2004	Norton	2007/0014889	A1	1/2007	McHale et al.	
D500,576	S	1/2005	Kraus	2007/0231427	A1	10/2007	Ream	
D500,908	S	1/2005	Hare et al.	2009/0028998	A1	1/2009	Elejalde et al.	
D510,173	S	10/2005	Richey et al.	2009/0053390	A1	2/2009	Sakou et al.	
D510,174	S	10/2005	Richey et al.	2009/0148568	A1	6/2009	Kawamura et al.	
D512,546	S	12/2005	Ibanez	2009/0214720	A1	8/2009	Almenares et al.	
7,172,783	B2	2/2007	Murray et al.	2011/0115720	A1*	5/2011	Klein	G02B 27/0938
D598,635	S	8/2009	Geoffrion et al.					345/173
				2011/0189376	A1	8/2011	Elejalde et al.	
				2012/0034346	A1	2/2012	Morgan	

* cited by examiner

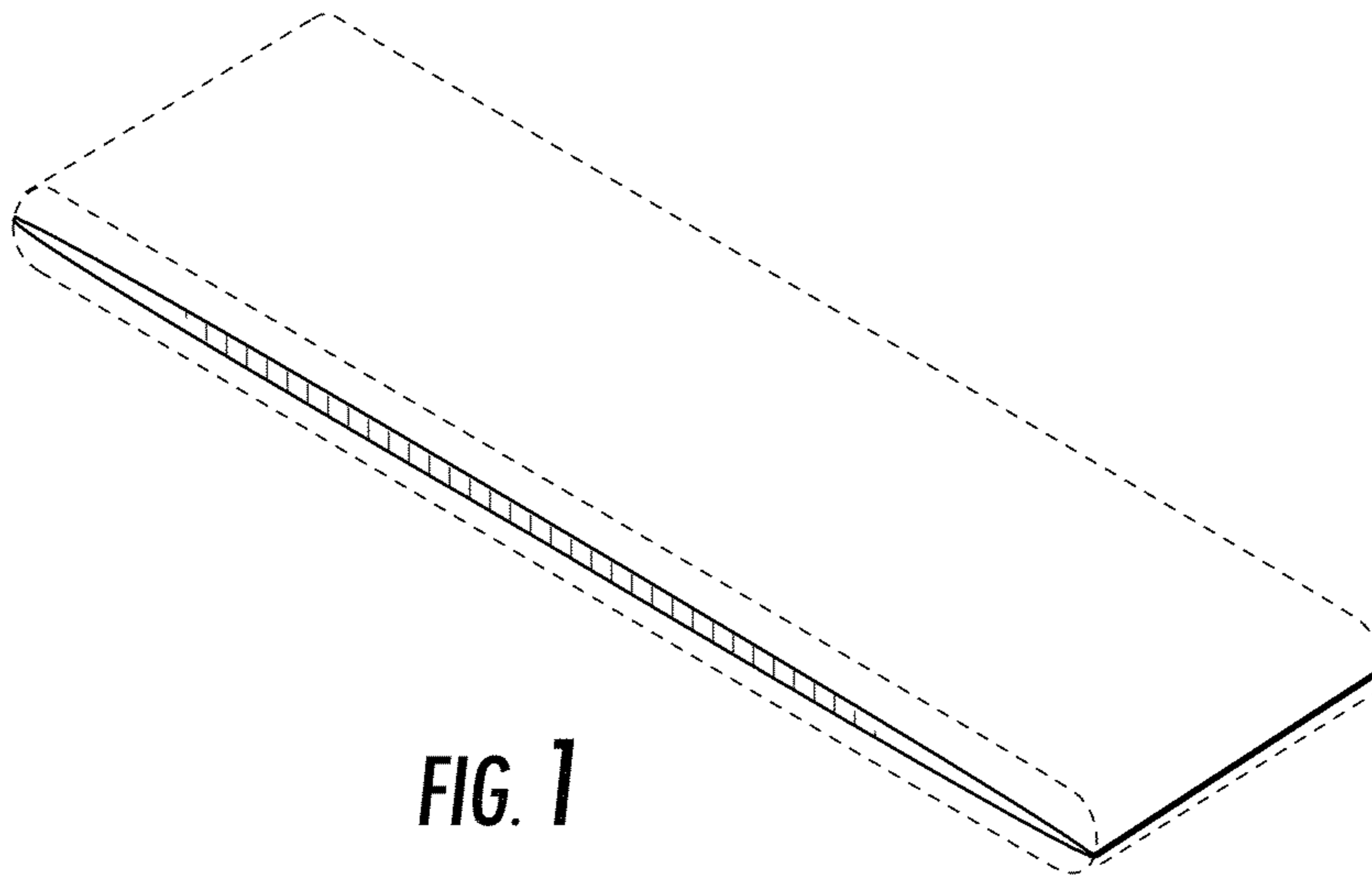


FIG. 1

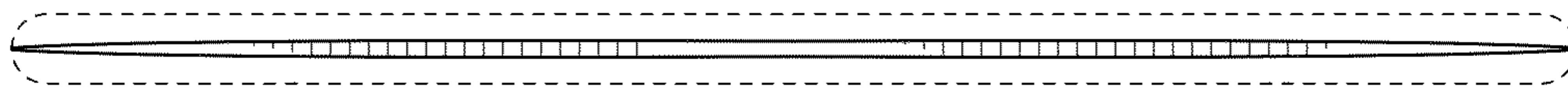


FIG. 2



FIG. 3

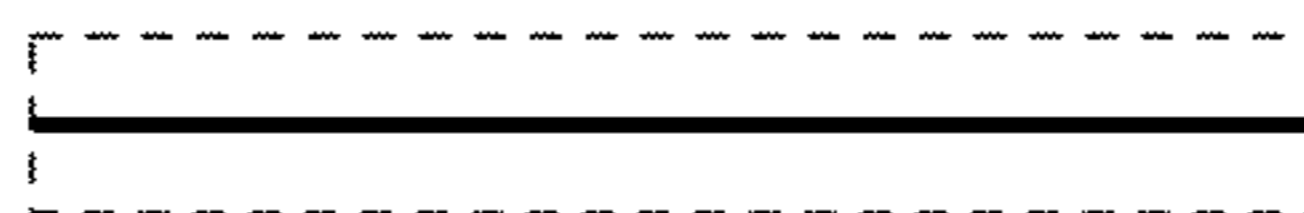


FIG. 4