



US00D755465S

(12) **United States Design Patent**
Pennington

(10) **Patent No.:** **US D755,465 S**

(45) **Date of Patent:** **** May 3, 2016**

(54) **TWIN-BOOK CONCEALMENT CONTAINER**

(71) Applicant: **Billy Pennington**, Jacksonville, AR (US)

(72) Inventor: **Billy Pennington**, Jacksonville, AR (US)

(**) Term: **14 Years**

(21) Appl. No.: **29/504,424**

(22) Filed: **Oct. 6, 2014**

(51) **LOC (10) Cl.** **99-00**

(52) **U.S. Cl.**
USPC **D99/28; D99/37**

(58) **Field of Classification Search**
USPC D99/28, 34, 35, 36, 37, 43, 99; 109/1 R,
109/1 V, 2, 45; 902/9, 30; 235/100; 206/0.8,
206/0.81, 0.815, 0.82; 312/400, 409;
D9/634; D19/26-28

CPC E05B 65/0075; F42B 39/24; E05G 1/00;
E05G 1/005; E05G 1/024; E05G 5/00; E05G
2700/00; E05G 2700/02; E05G 2700/04;
E05G 5/02; G07D 11/0006; G07D 11/0009;
G07F 9/06; G07F 9/003; G07F 9/002; G07F
9/004; G07F 9/008; G07F 11/009; G07F
17/10; G07F 17/12

See application file for complete search history.

(56) **References Cited**

U.S. PATENT DOCUMENTS

- D28,308 S * 2/1898 Foutch D19/95
- 1,709,685 A * 4/1929 Rothrock B65D 77/006
206/472
- 1,756,135 A * 4/1930 Ruskin B65D 15/24
217/5
- 1,963,552 A * 6/1934 Horwitt B65D 77/006
206/216
- 1,996,975 A * 4/1935 Raisin B65D 77/006
206/457
- 2,341,600 A * 2/1944 Daniel G11B 33/04
206/389
- 2,387,790 A * 10/1945 Williamson B65D 5/48
206/236
- D175,722 S * 10/1955 Nightingale 206/232

- 5,248,037 A * 9/1993 Kornberg B65D 77/006
206/457
- 5,626,255 A * 5/1997 Myers A47G 19/2266
220/705
- D386,677 S * 11/1997 Abiteboul D19/26
- D390,332 S * 2/1998 Searls D99/37
- D429,761 S * 8/2000 Ward D19/26
- D435,269 S * 12/2000 Karten D19/27
- D506,854 S * 6/2005 Baker 119/51.01
- D606,874 S * 12/2009 Faridovich D9/634
- D621,125 S * 8/2010 Heintzleman D99/28
- D657,417 S * 4/2012 Naimi D19/26
- D682,279 S * 5/2013 Fuchs D14/440
- D708,055 S * 7/2014 Elston D9/423
- D714,513 S * 9/2014 Scott D99/28

* cited by examiner

Primary Examiner — Elizabeth J Oswecki

(57) **CLAIM**

I claim the ornamental design of a twin-book concealment container, as shown and described.

DESCRIPTION

FIG. 1 is a perspective view of a twin-book concealment container in a partially open position.

FIG. 2 is a top plan view of the concealment books of FIG. 1; the bottom plan view is a mirror image.

FIG. 3 is a front elevation view of the concealment books of FIG. 1; the rear elevation view is a mirror image.

FIG. 4 is a binder-side elevation view of the concealment books of FIG. 1.

FIG. 5 is a pages-side elevation view of the concealment books of FIG. 1.

FIG. 6 is an elevation view of the concealment books of FIG. 1 in a fully open position.

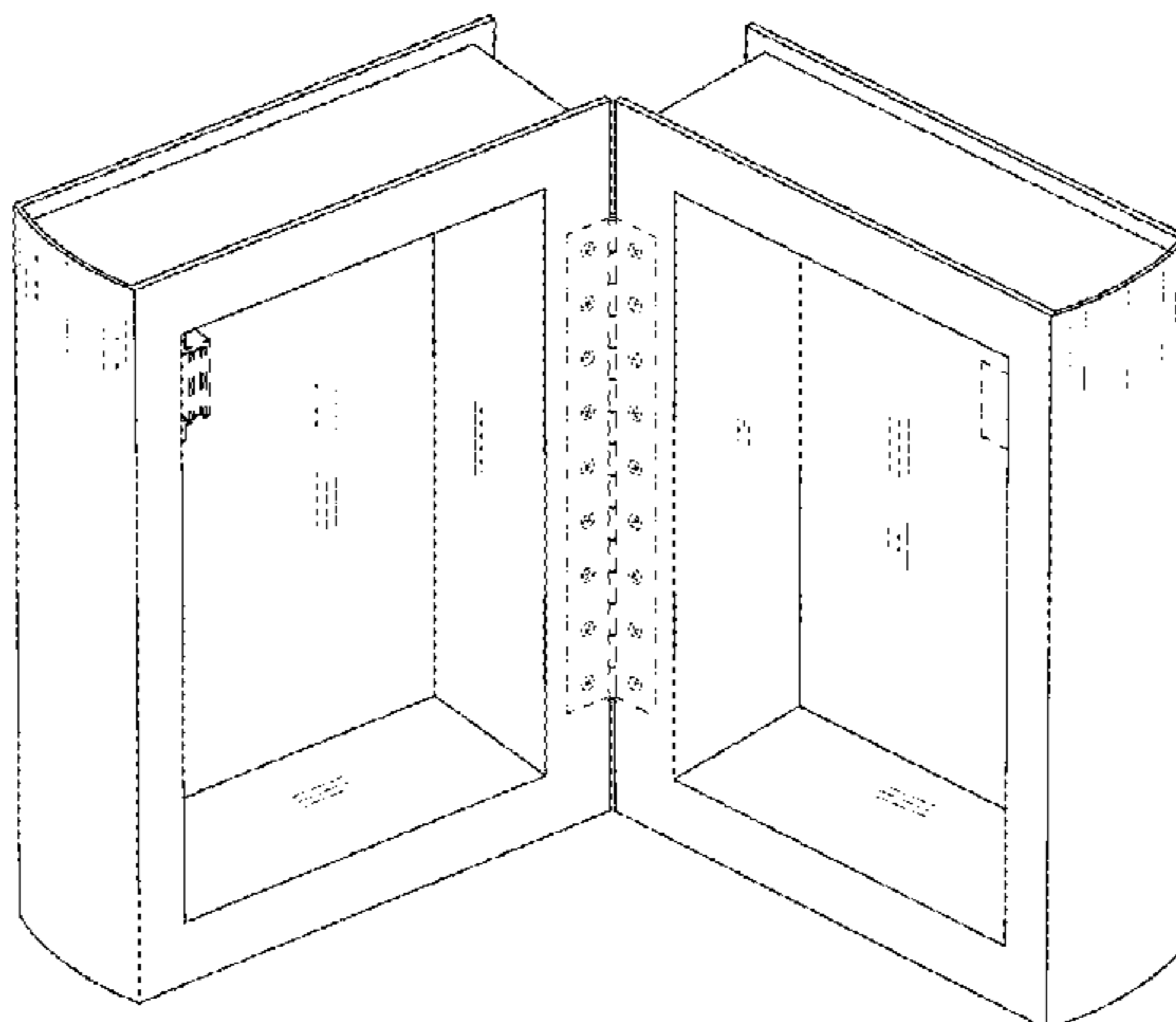
FIG. 7 is a perspective view of another embodiment of the concealment container of FIG. 1, in a partially open position; and,

FIG. 8 is an elevation view of the concealment books of FIG. 7 in a fully open position.

FIGS. 2 through 5 are the same for the corresponding views of this embodiment.

The broken lines show material that does not form part of the claimed design.

1 Claim, 7 Drawing Sheets



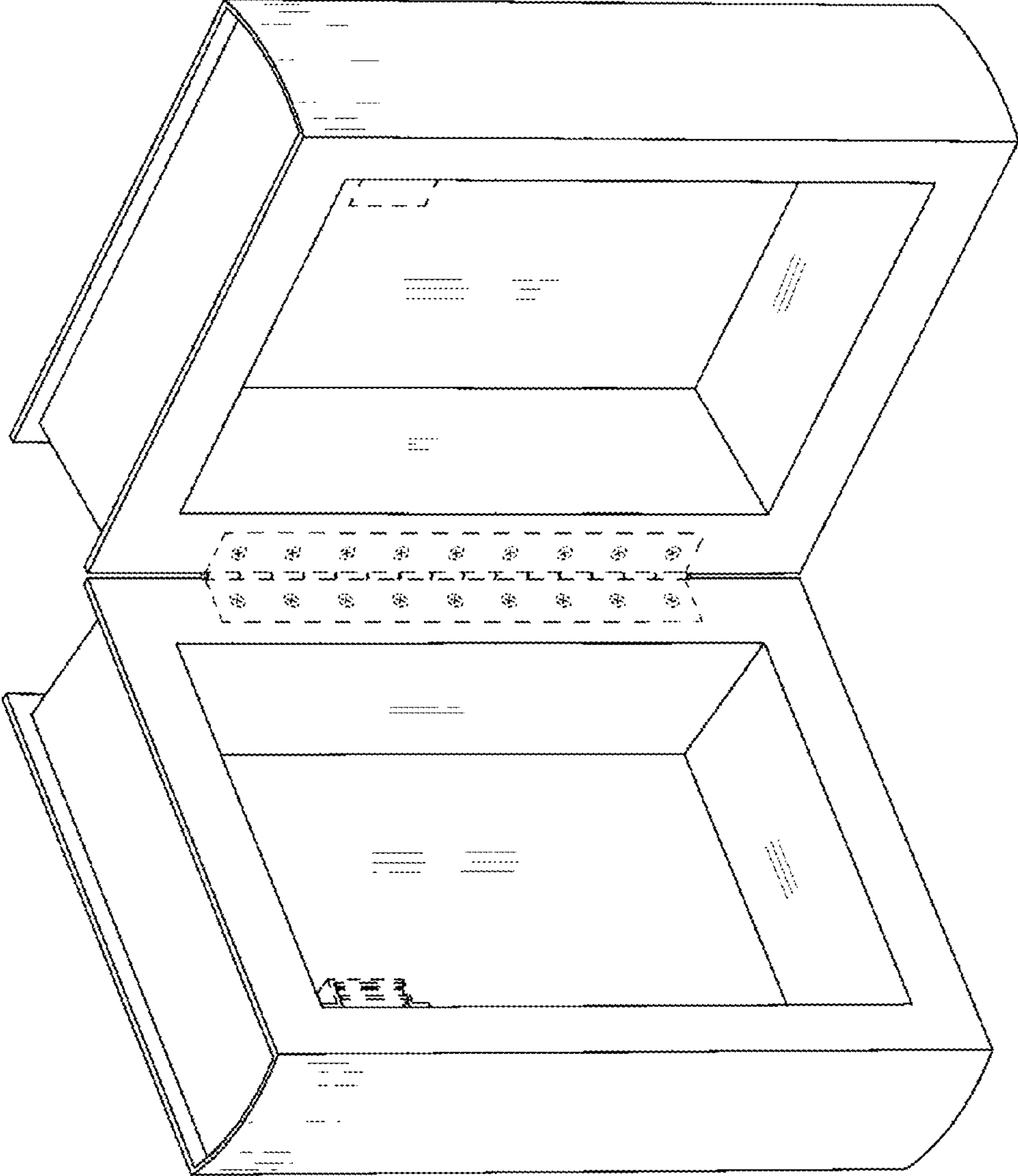


FIG. 1

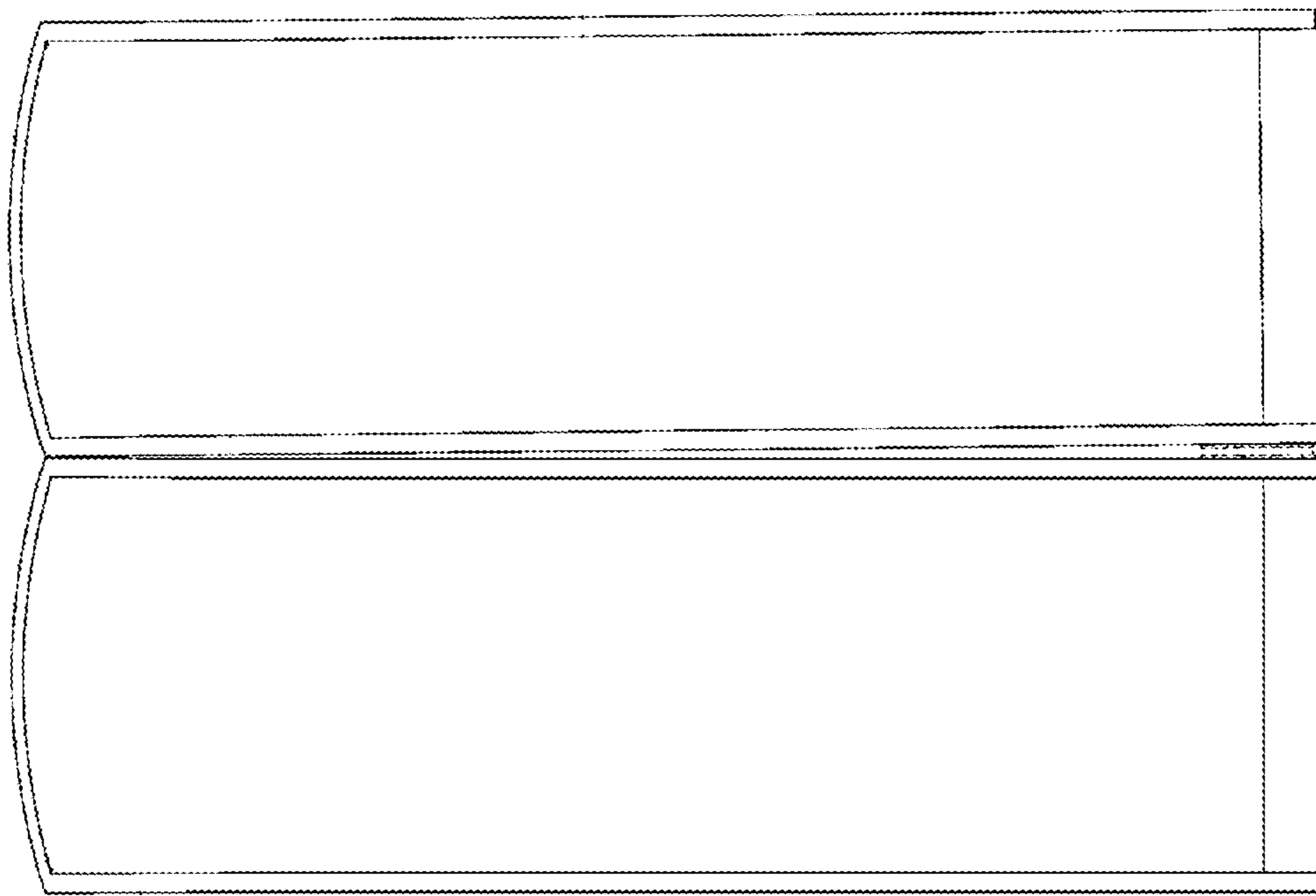


FIG. 2

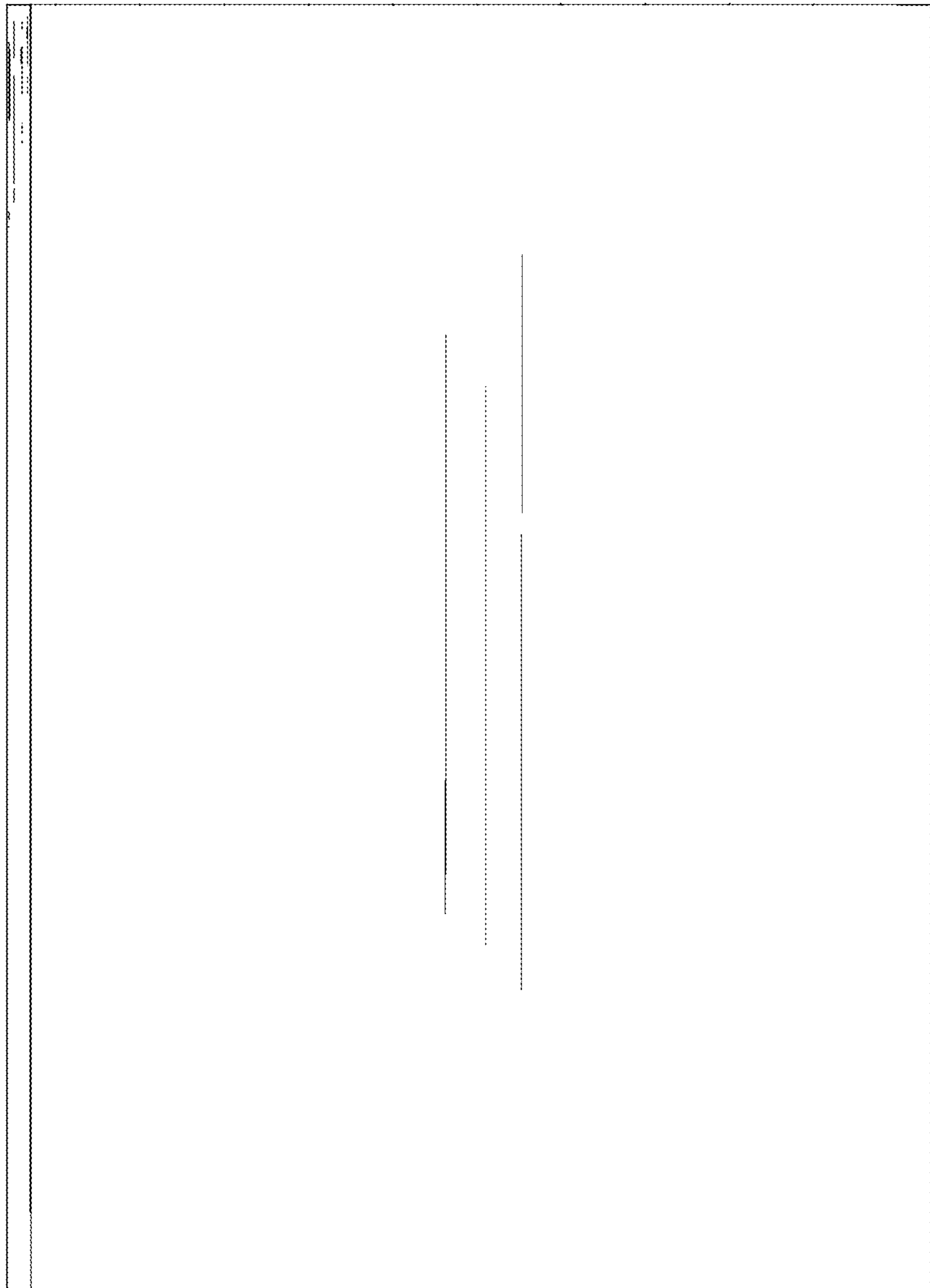


FIG. 3

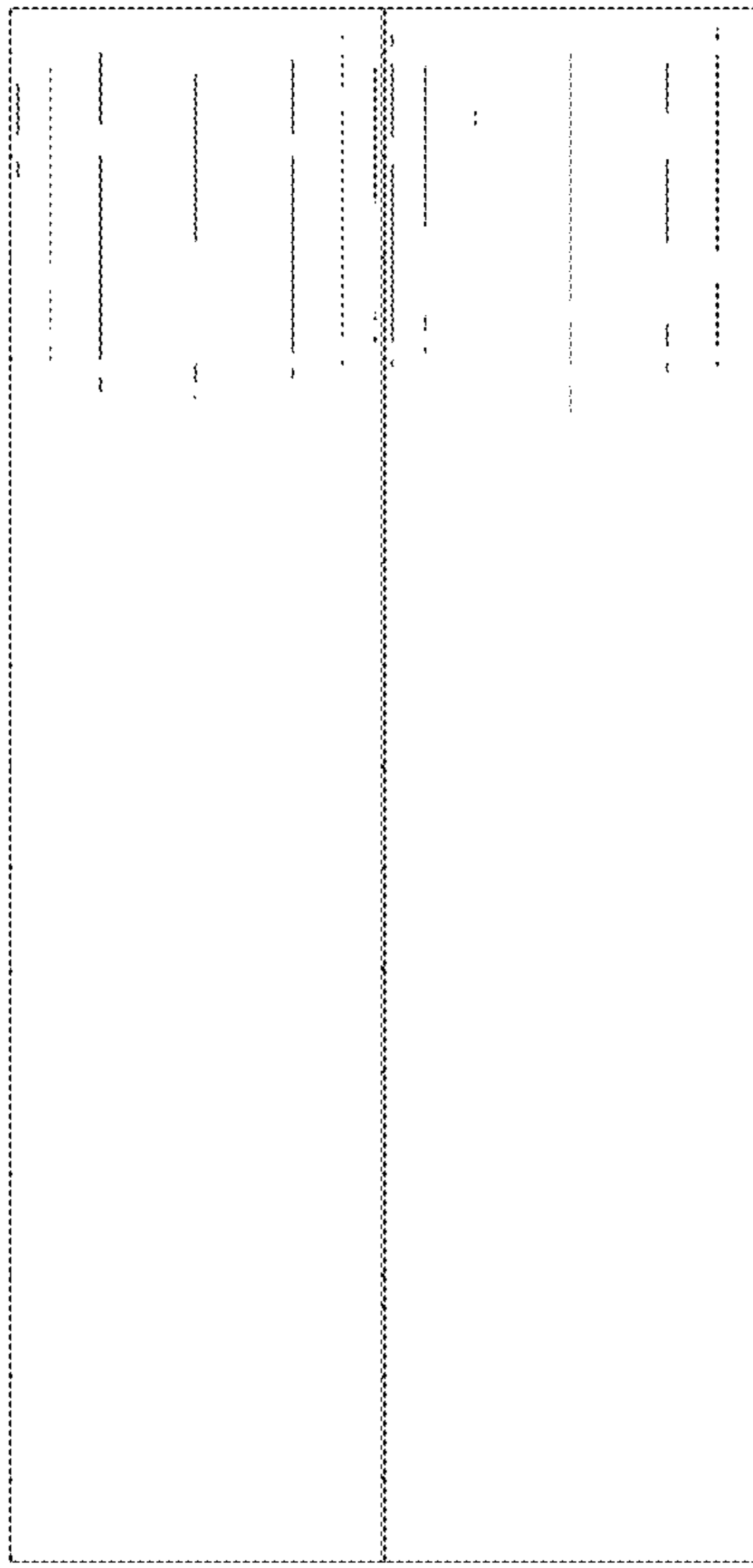


FIG. 4

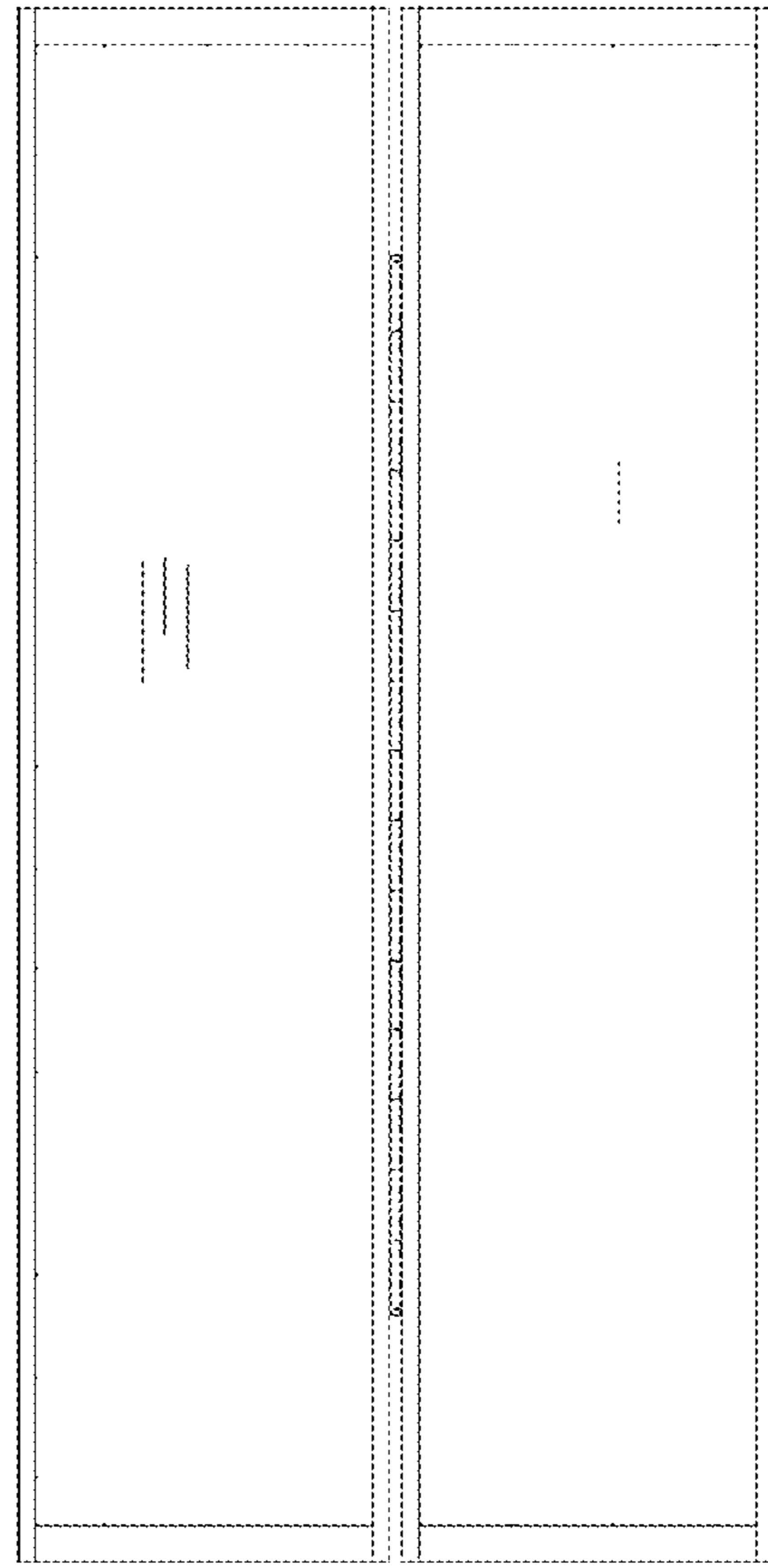


FIG. 5

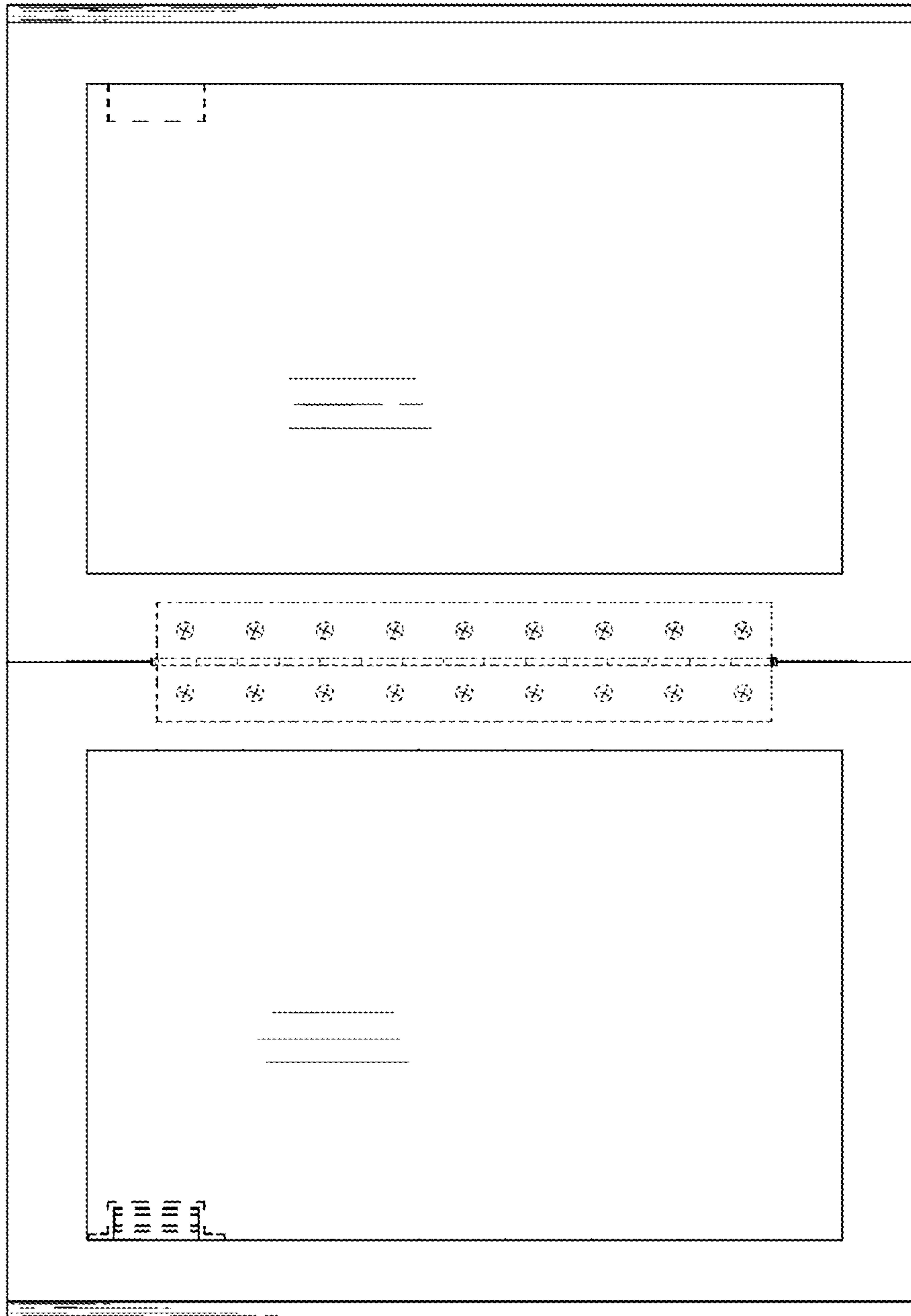


FIG. 6

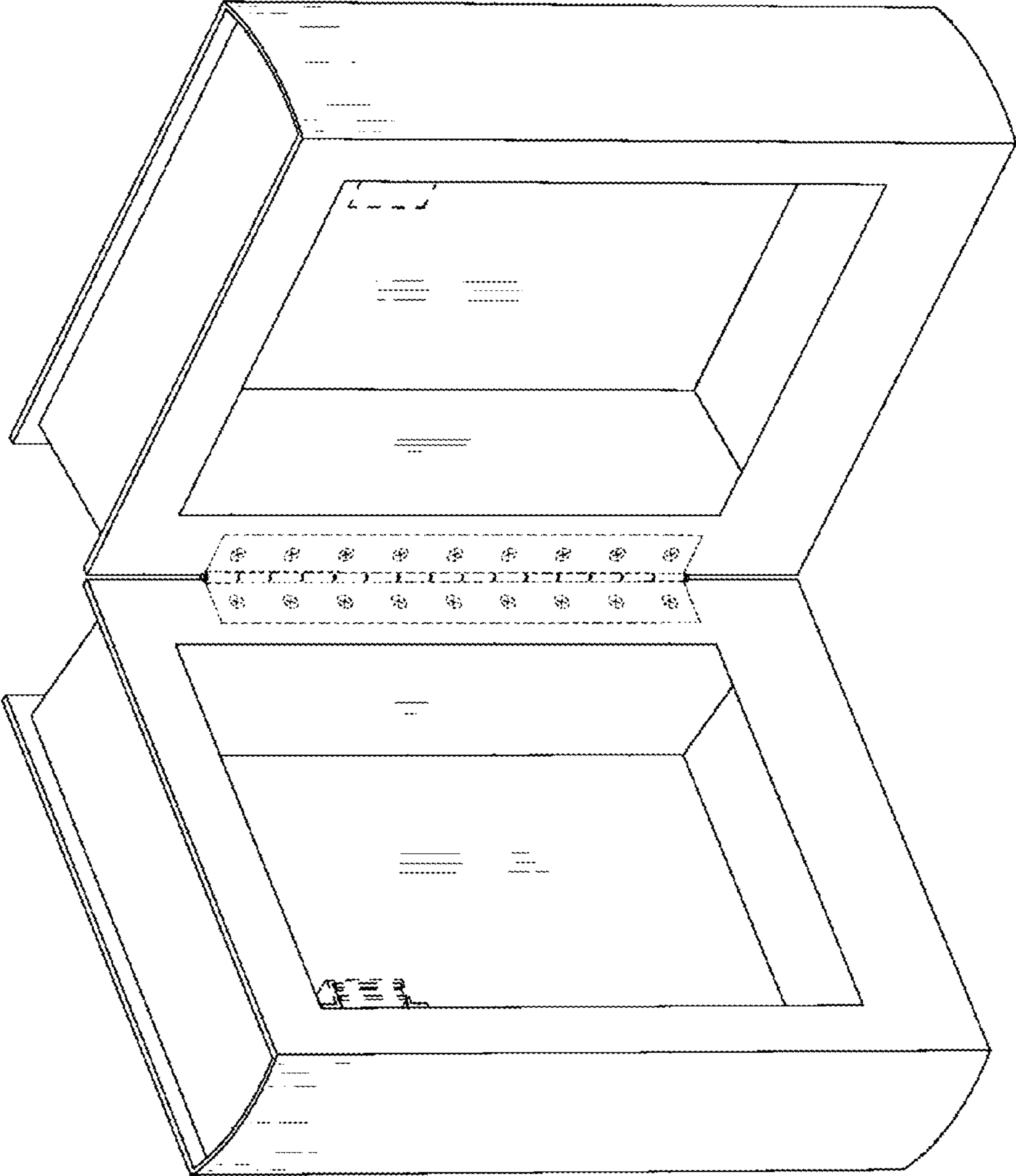


FIG. 7

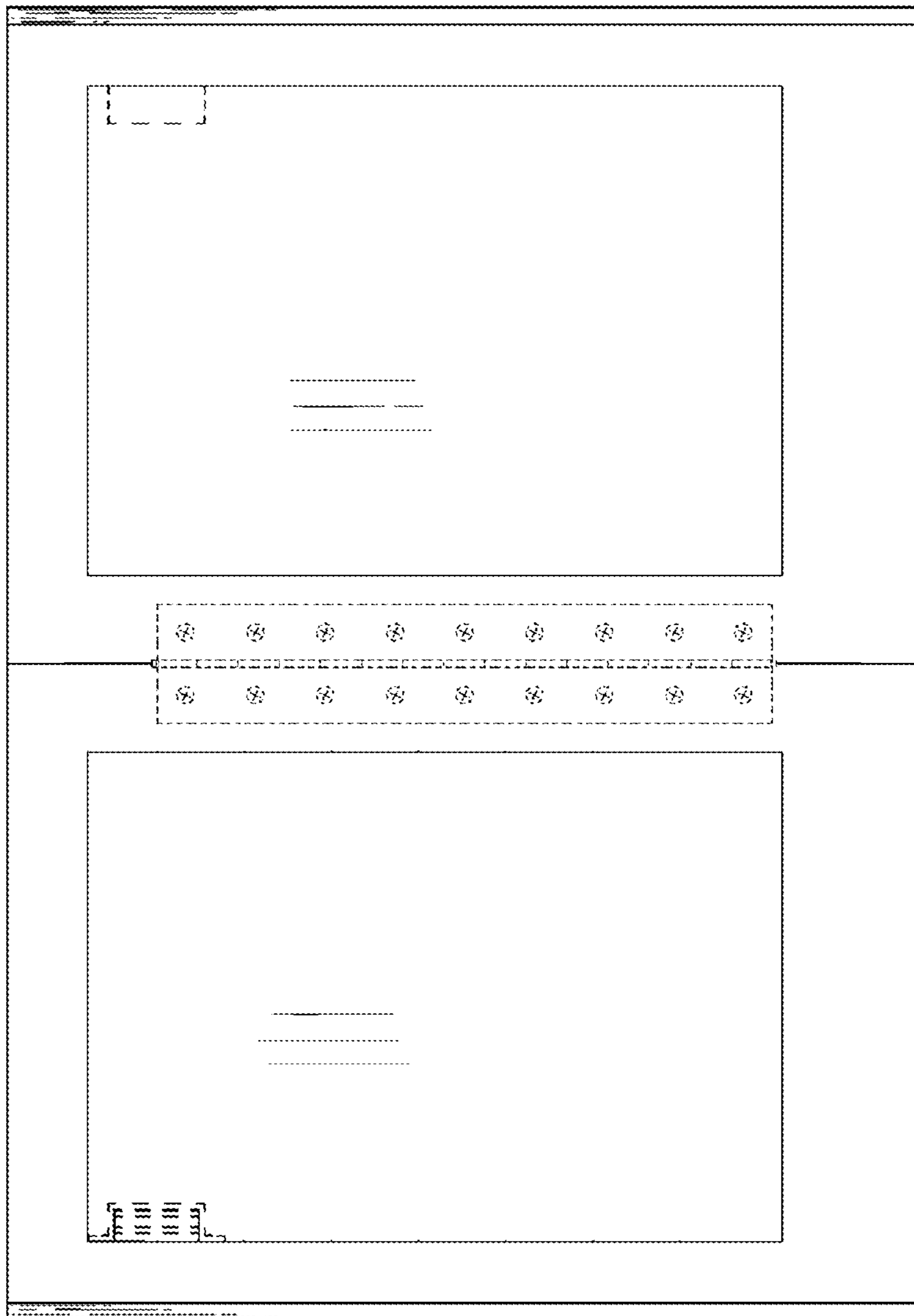


FIG. 8