



US00D755462S

(12) **United States Design Patent**  
**Howard**

(10) **Patent No.:** **US D755,462 S**

(45) **Date of Patent:** **\*\* May 3, 2016**

(54) **ROLLING PAINT CADDY**

(71) Applicant: **Steven Howard**, Glasgow, KY (US)

(72) Inventor: **Steven Howard**, Glasgow, KY (US)

(\*\*) Term: **14 Years**

(21) Appl. No.: **29/518,469**

(22) Filed: **Feb. 24, 2015**

(51) **LOC (10) Cl.** ..... **12-02**

(52) **U.S. Cl.**  
USPC ..... **D34/17**

(58) **Field of Classification Search**  
USPC ..... D34/12-27; 280/47.24, 47.26, 652,  
280/79.11, 79.3; 248/129, 128, 685  
CPC ..... B05C 21/00; B62B 1/20; B62B 3/007;  
B62B 3/02; B60P 1/04  
See application file for complete search history.

(56) **References Cited**

**U.S. PATENT DOCUMENTS**

D180,016	S *	4/1957	Frick	.....	280/79.11
3,044,096	A	7/1962	Englehart		
D215,206	S	9/1969	Evans		
3,494,667	A *	2/1970	Schlapman	.....	B60P 1/04 280/47.26
D221,633	S *	8/1971	Kotkowski	.....	D34/23
3,663,982	A	5/1972	Hayden		
D231,730	S *	6/1974	Lee	.....	D34/23
4,856,810	A *	8/1989	Smith	.....	B62B 3/02 280/37
4,993,726	A	2/1991	Schumacher et al.		
5,141,341	A *	8/1992	Koyama	.....	B41J 2/24 101/93.05
6,695,325	B2	2/2004	Carillo		
6,783,147	B1 *	8/2004	Green, Sr.	.....	B62B 1/20 280/47.26

D501,591	S *	2/2005	Lucht	.....	D34/12
7,568,667	B1	8/2009	Feik et al.		
D679,466	S *	4/2013	McCullough	.....	D34/17
2009/0302563	A1	12/2009	Thibault		
2011/0025005	A1 *	2/2011	Howell	.....	B62B 3/007 280/47.24
2013/0186902	A1	7/2013	Bar-Shlomo		

**OTHER PUBLICATIONS**

<http://tcdparts.com/catalog.php?category=RACKS%20AND%20DOLLIES&category=BUCK-IT%20DOLLIES%20AND%20ACCES.&name=METAL%20SQUARE%20BUCKET%20CADDY> (Jul. 5, 2011).

\* cited by examiner

*Primary Examiner* — Cynthia Ramirez  
(74) *Attorney, Agent, or Firm* — Robert C. Montgomery; Montgomery Patent & Design LP.

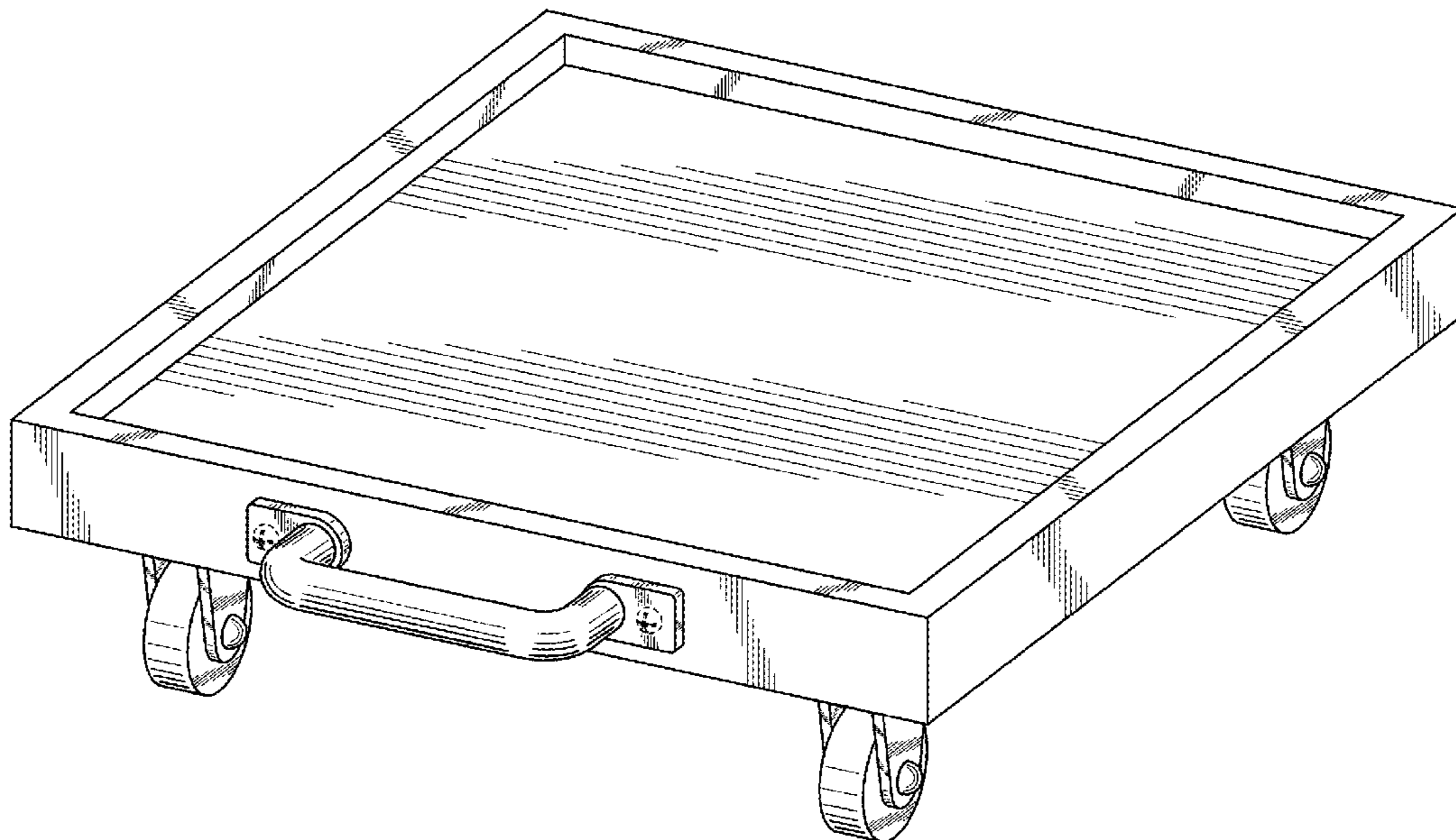
(57) **CLAIM**

The ornamental design for a rolling paint caddy, as shown and described.

**DESCRIPTION**

FIG. 1 is a perspective front view of the rolling paint caddy, showing my new design;  
FIG. 2 is a front side view thereof;  
FIG. 3 is a back side view thereof;  
FIG. 4 is a left side view with the right side view being a mirror image thereof;  
FIG. 5 is a top side view thereof; and,  
FIG. 6 is a bottom side view thereof.  
The dashed lines indicate boundary areas and form no part of the claimed design.

**1 Claim, 6 Drawing Sheets**



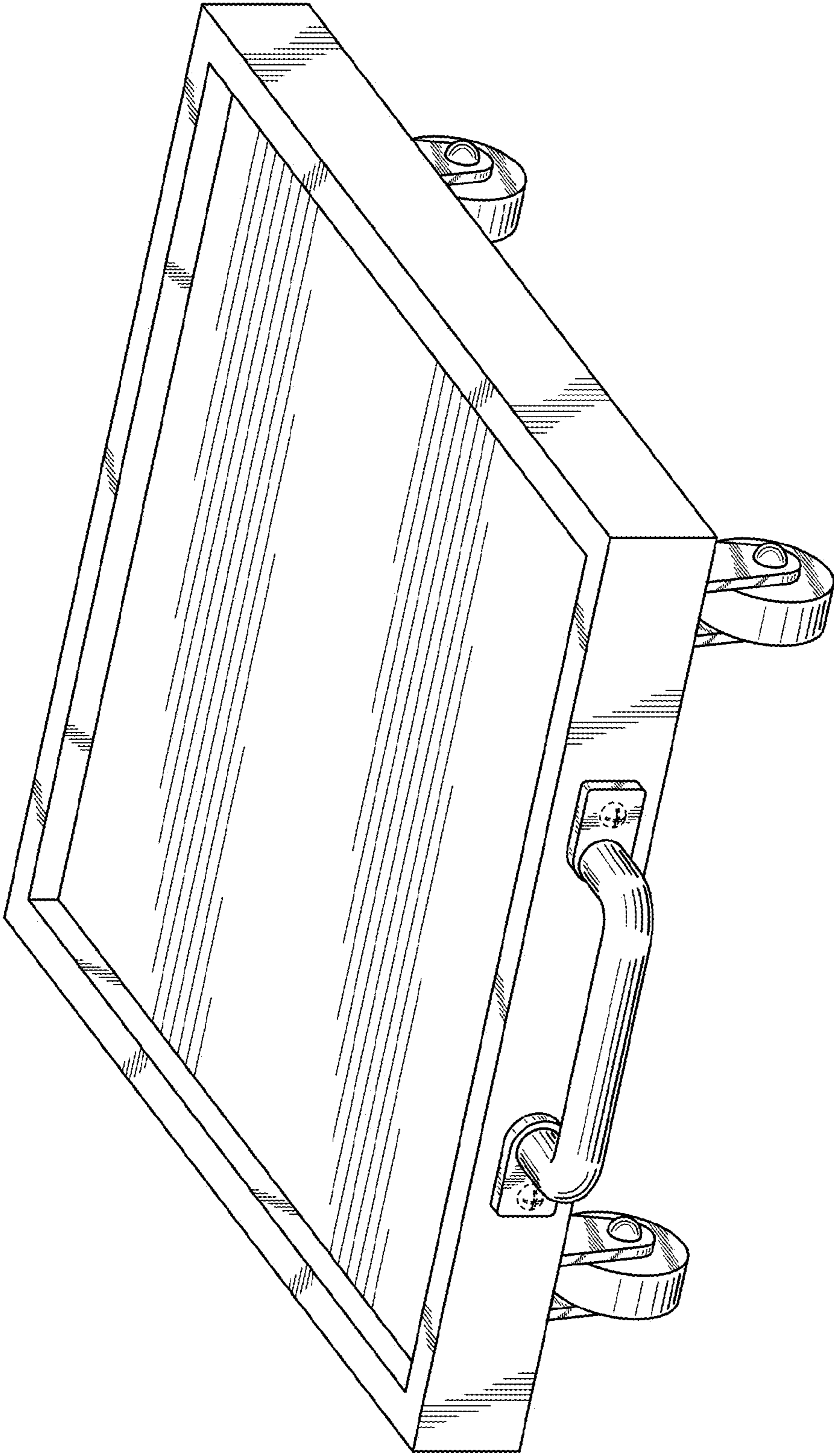


Fig. 1

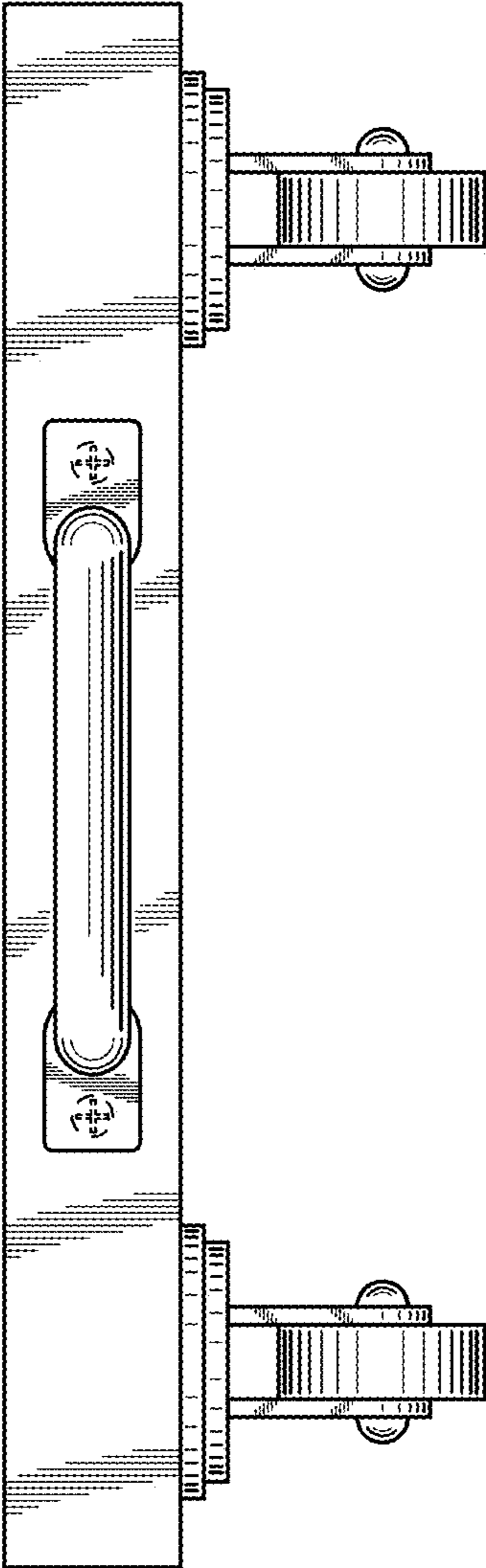


Fig. 2

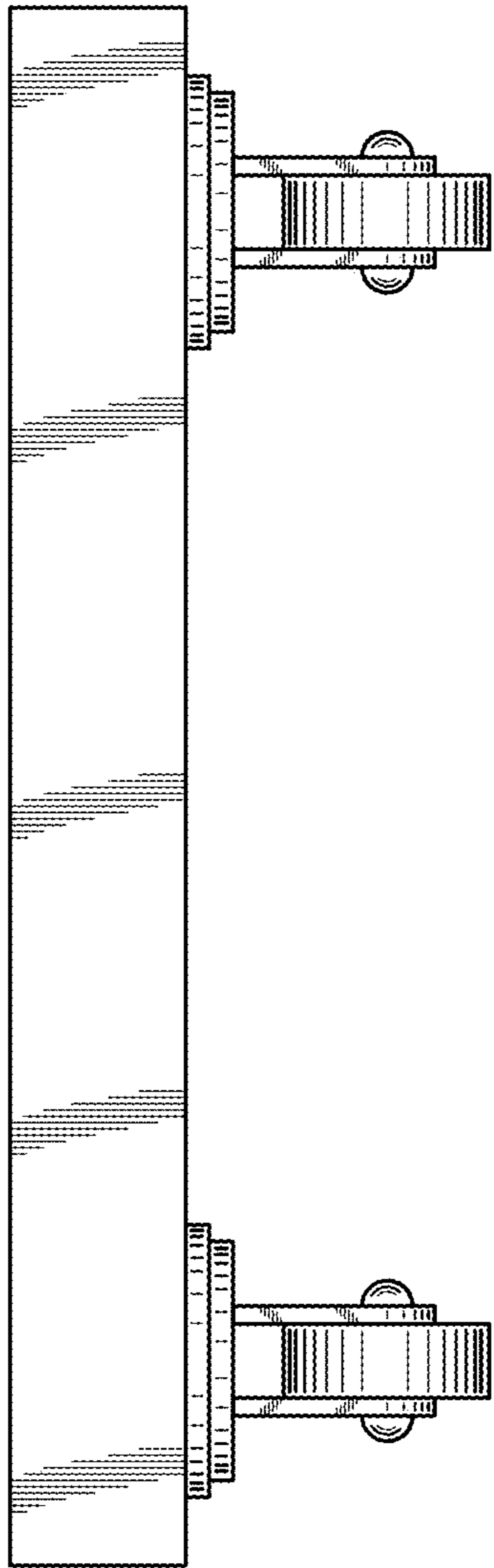


Fig. 3

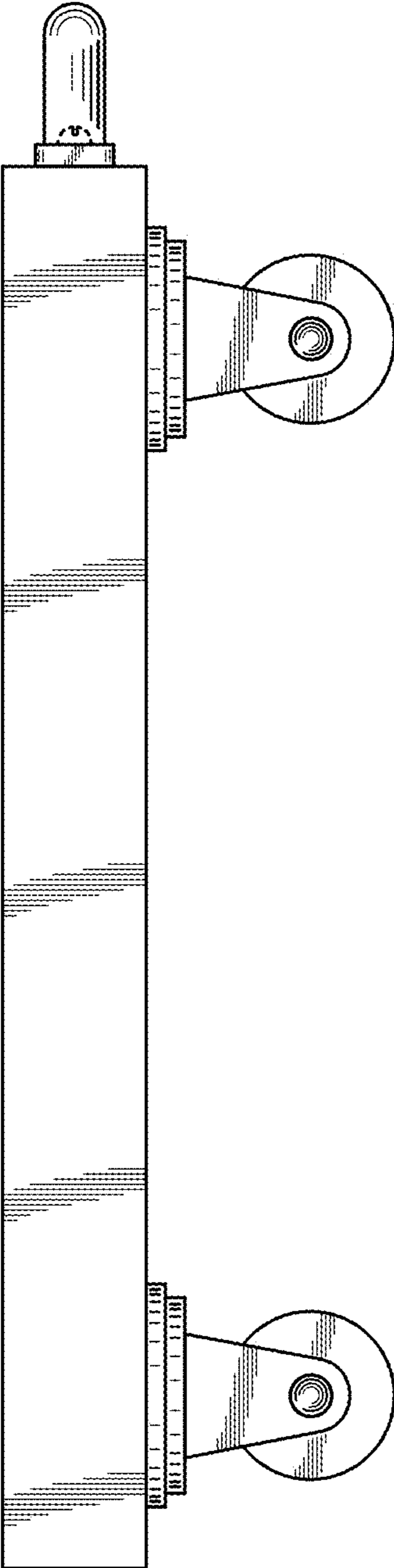


Fig. 4



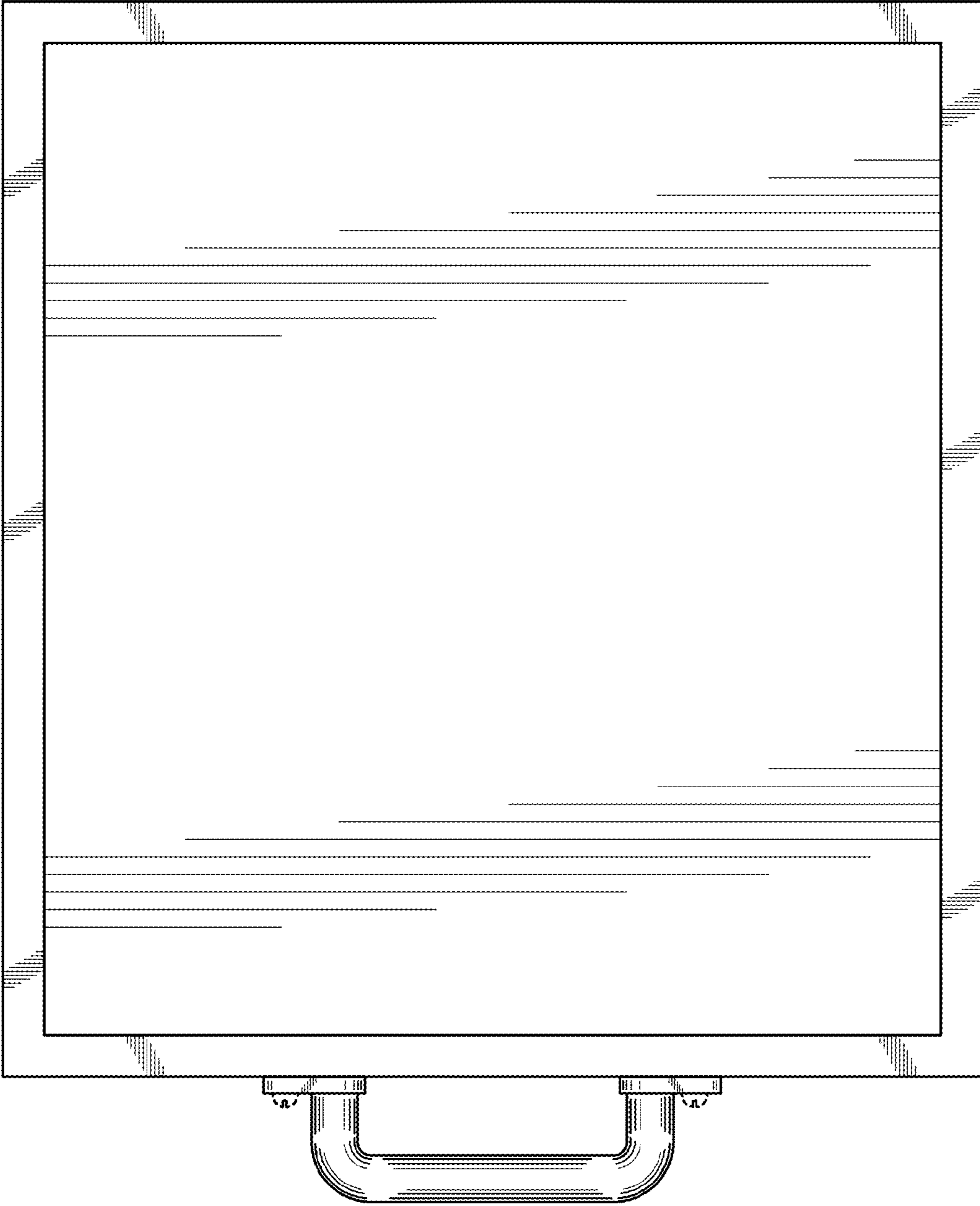


Fig. 5

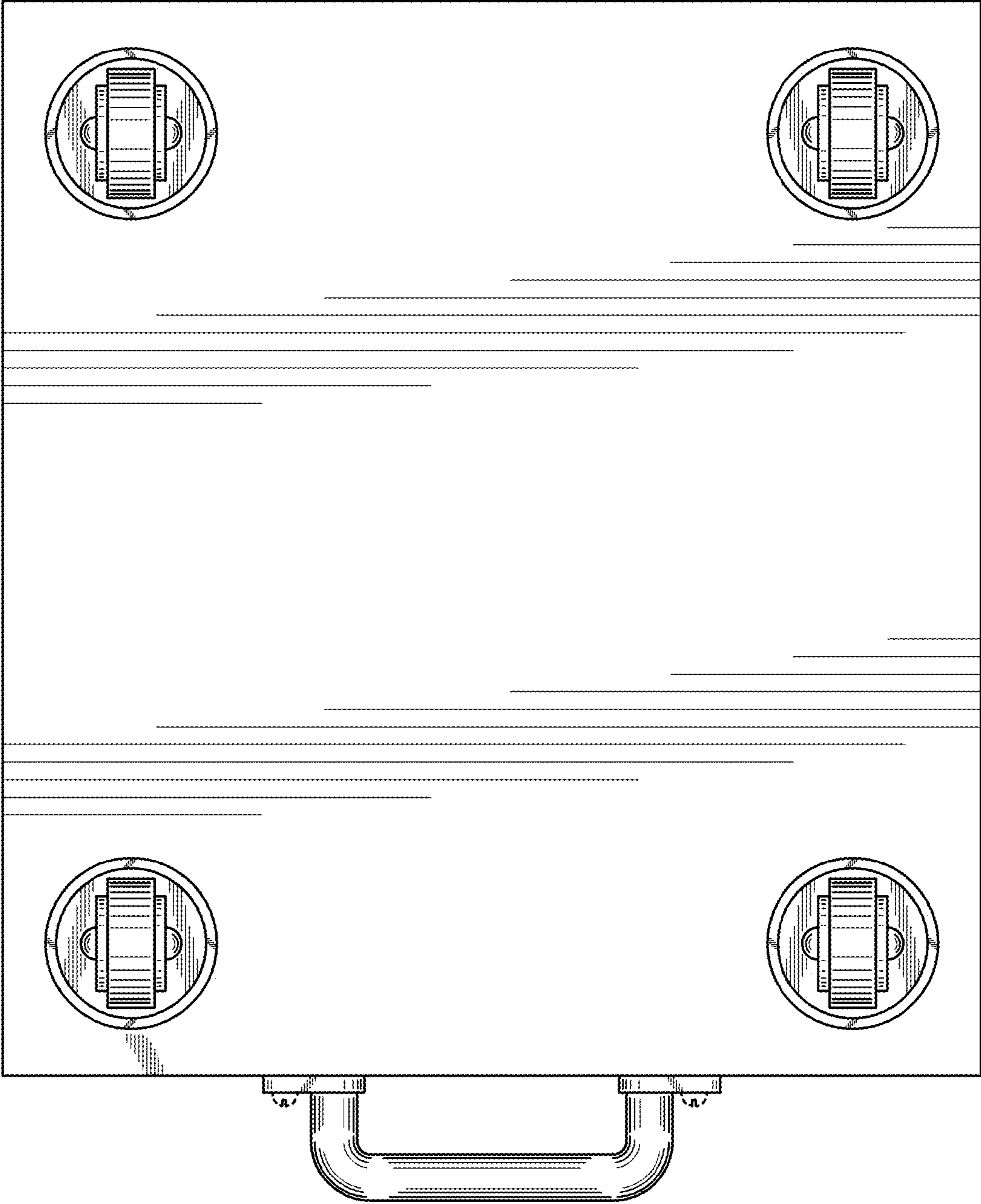


Fig. 6