

US00D755460S

(12) **United States Design Patent**
Baez

(10) **Patent No.:** **US D755,460 S**
(45) **Date of Patent:** **** May 3, 2016**

(54) **FOOD CONTAINER RACK**
(71) Applicant: **Jorge Baez**, Lake Forest, CA (US)
(72) Inventor: **Jorge Baez**, Lake Forest, CA (US)
(73) Assignee: **CAMBRO MANUFACTURING COMPANY**, Huntingdon Beach, CA (US)

D271,339 S * 11/1983 Lee D32/55
D492,457 S * 6/2004 Soroka D32/55
D532,948 S * 11/2006 Gillisie D32/55
D617,069 S * 6/2010 Munson D32/55
D663,912 S * 7/2012 Le D32/55
D690,483 S * 9/2013 Renz D32/55
D696,829 S * 12/2013 Huang D32/55
D739,989 S * 9/2015 Baez D32/56

* cited by examiner

(**) Term: **14 Years**

Primary Examiner — Austin Murphy

(74) Attorney, Agent, or Firm — George F. Bethel

(21) Appl. No.: **29/515,578**

(22) Filed: **Jan. 23, 2015**

(51) **LOC (10) Cl.** **07-05**

(52) **U.S. Cl.**
USPC **D32/56; D9/455**

(58) **Field of Classification Search**
USPC D32/55, 276, 3; D6/510, 525; D30/133;
211/41.5, 41.4, 41.3, 41.8; 361/679.4;
312/311, 333, 334.4; D7/354, 629
CPC A47J 47/20; A47J 2201/00; A47J 47/00;
B65D 35/02; B65D 35/22; B65D 35/56
See application file for complete search history.

(57) **CLAIM**

I claim the ornamental design for a food container rack, as shown and described.

DESCRIPTION

FIG. 1 is a frontal perspective view of the food container rack.
FIG. 2 is a front elevation view thereof.
FIG. 3 is a right side elevation view thereof.
FIG. 4 is a top plan view thereof.
FIG. 5 is a bottom plan view thereof.
FIG. 6 is a sectional view along lines 6-6 of FIG. 4.
FIG. 7 is a sectional view along lines 7-7 of FIG. 4; and,
FIG. 8 is a perspective view showing the environment of use of the food container rack.

(56) **References Cited**

U.S. PATENT DOCUMENTS

1,889,146 A * 11/1932 Kalenoff A47L 19/04
211/41.3
D214,077 S * 5/1969 Kriegel D32/55

1 Claim, 5 Drawing Sheets

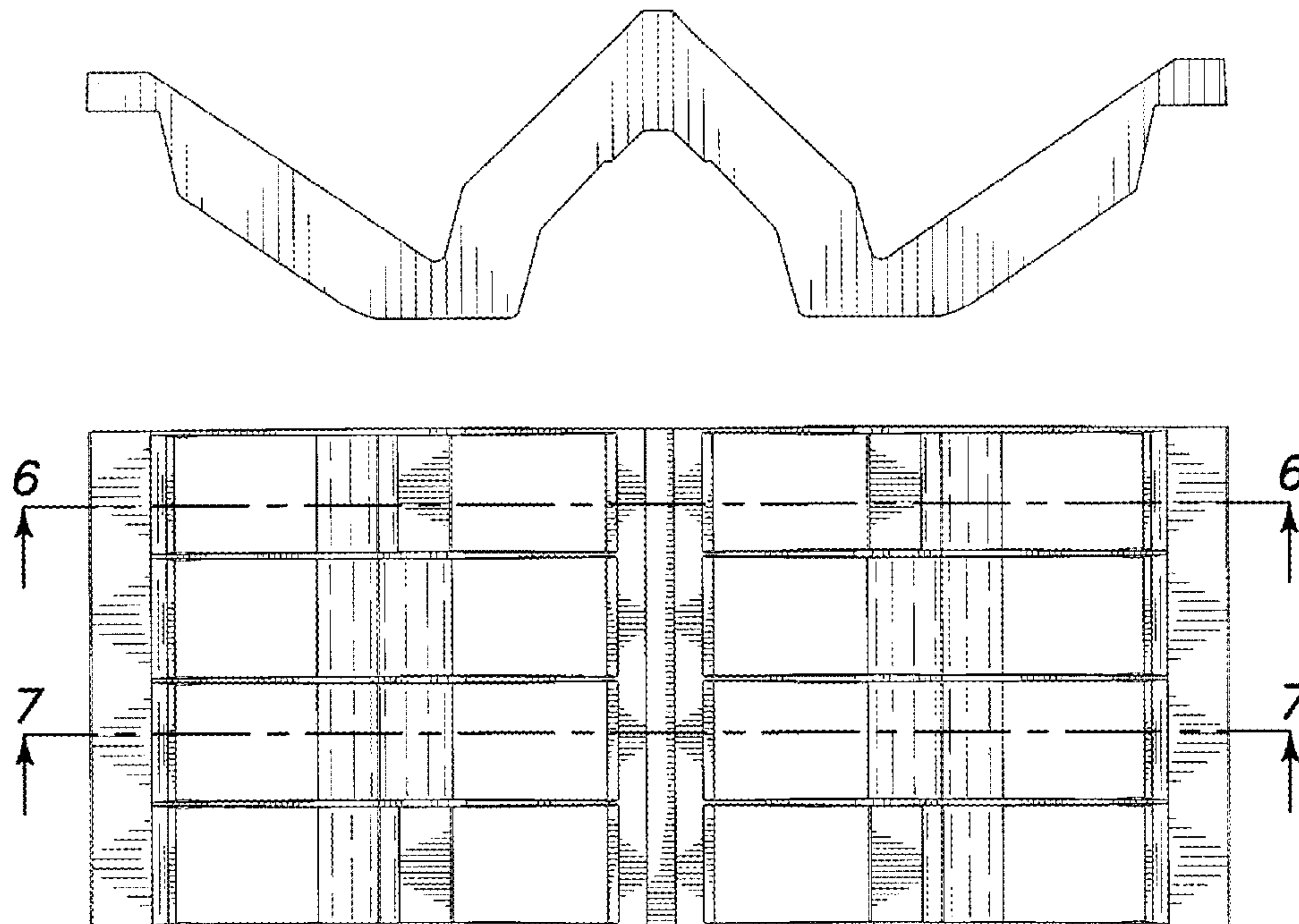
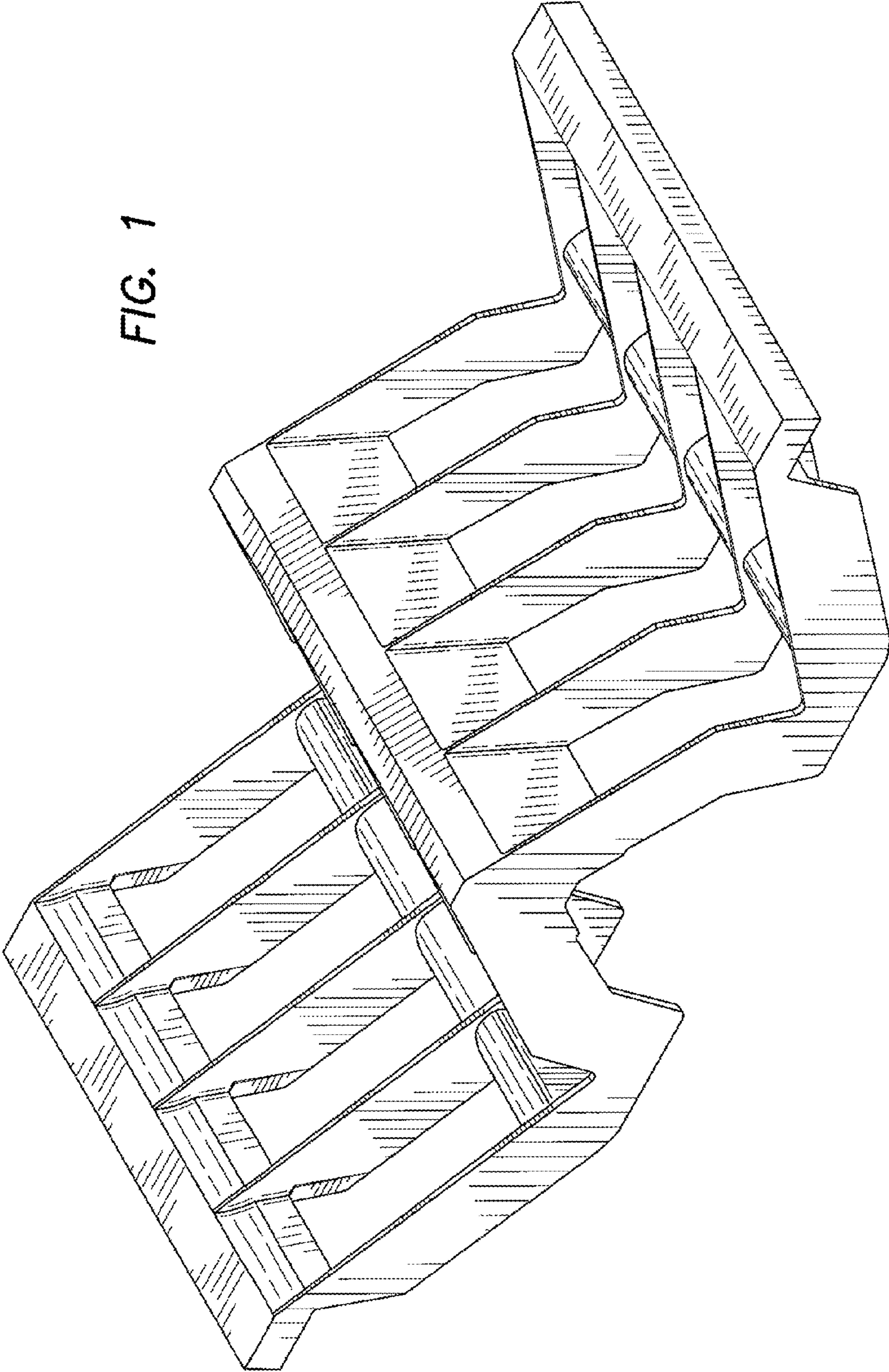
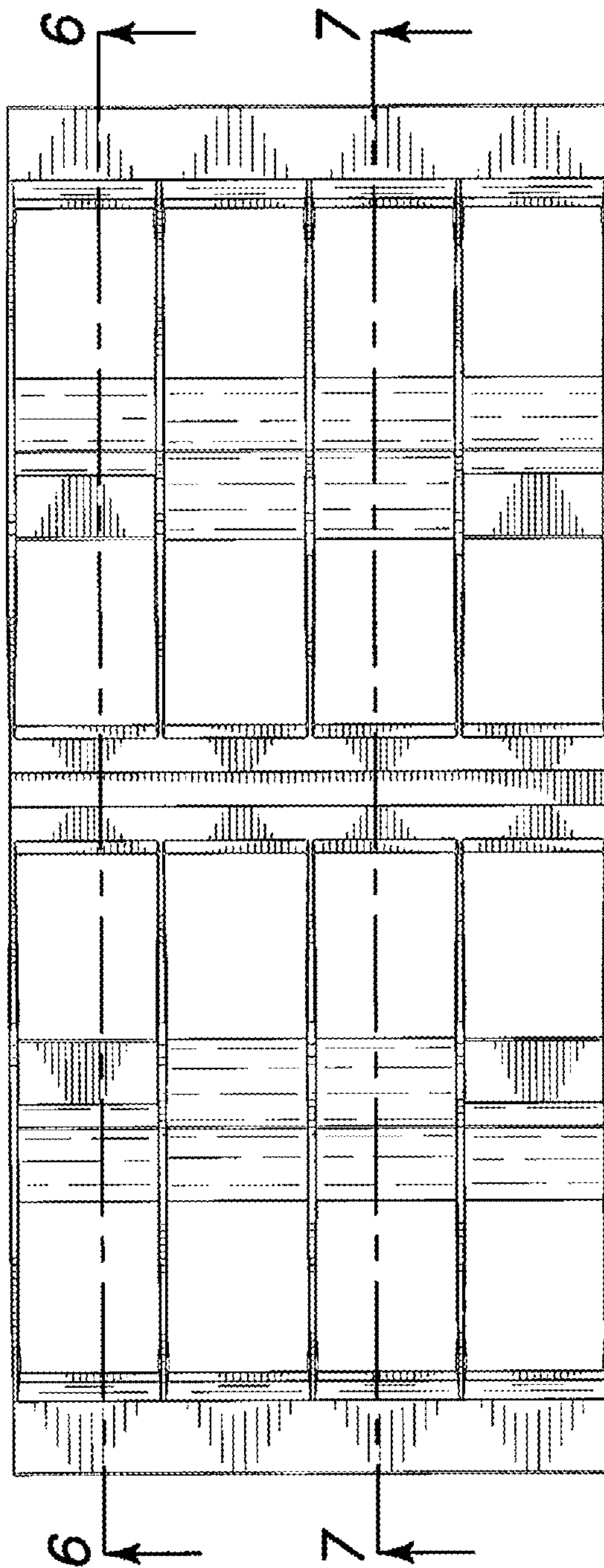
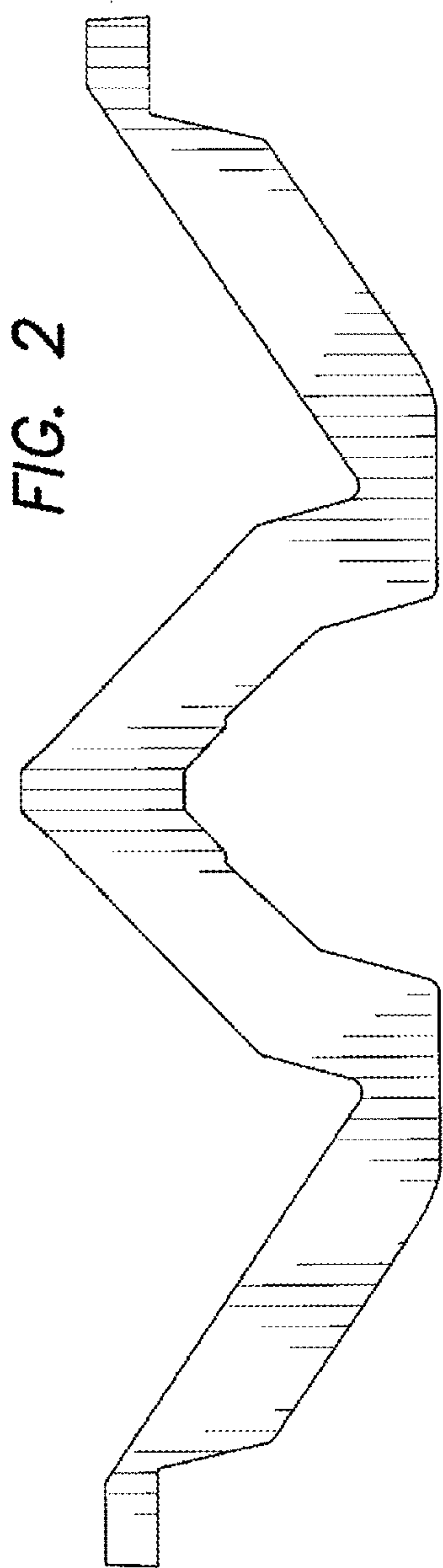


FIG. 1





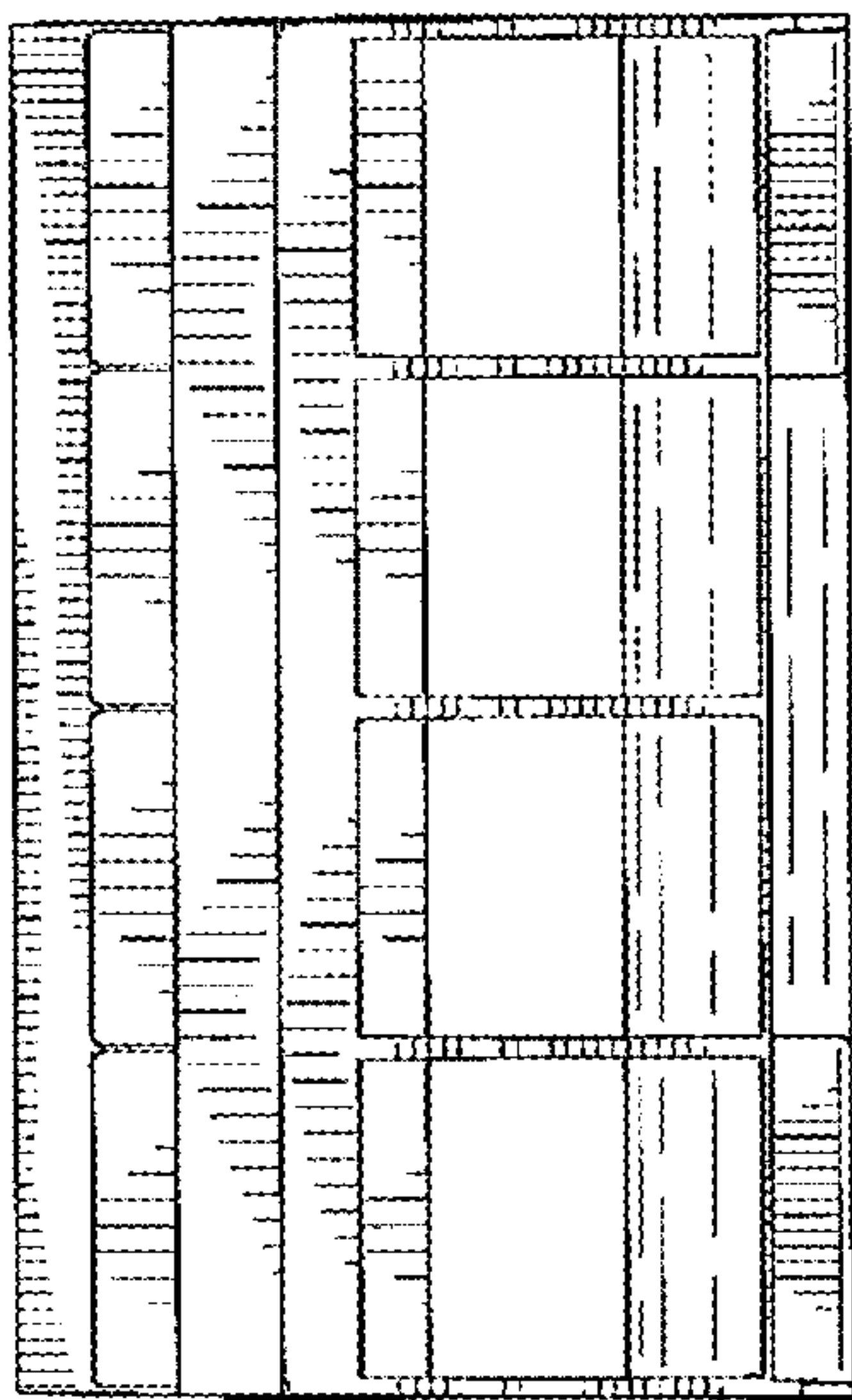


FIG. 3

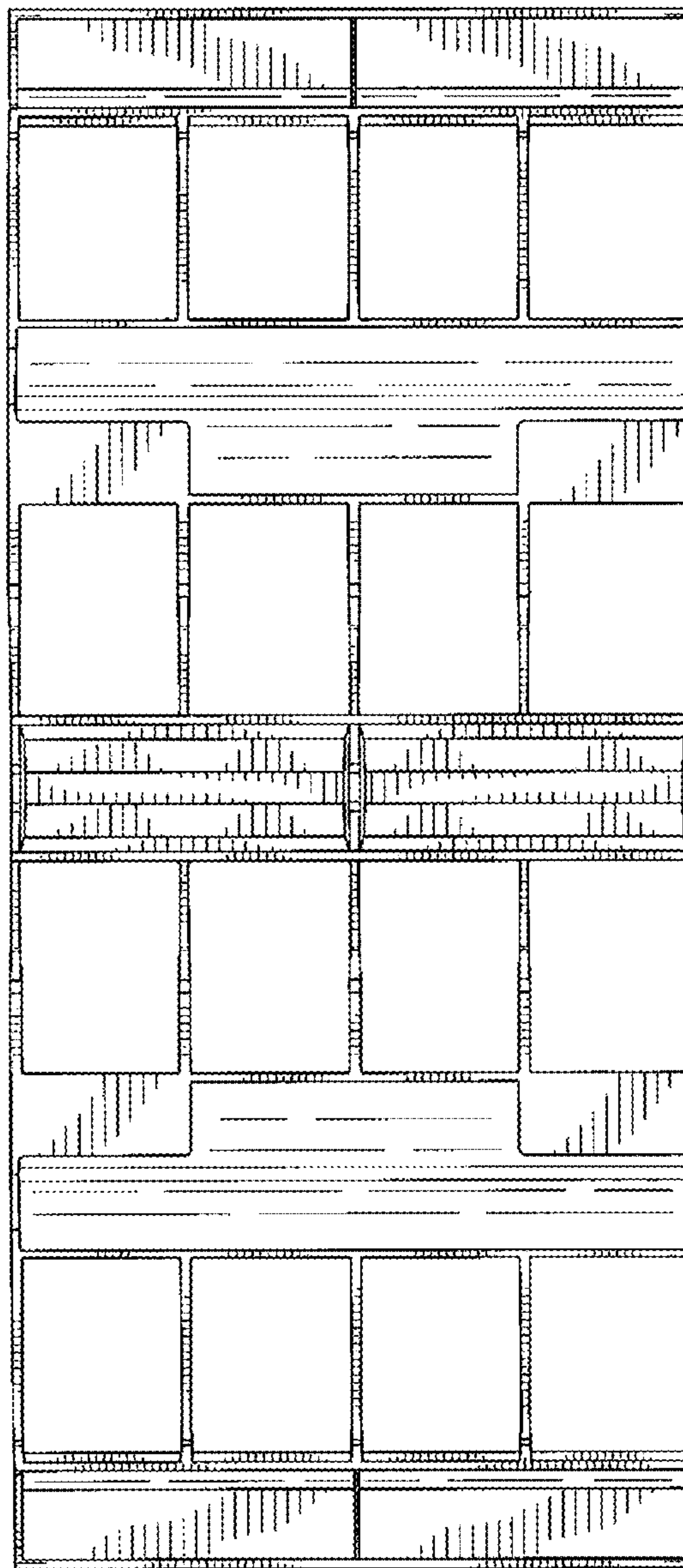


FIG. 5

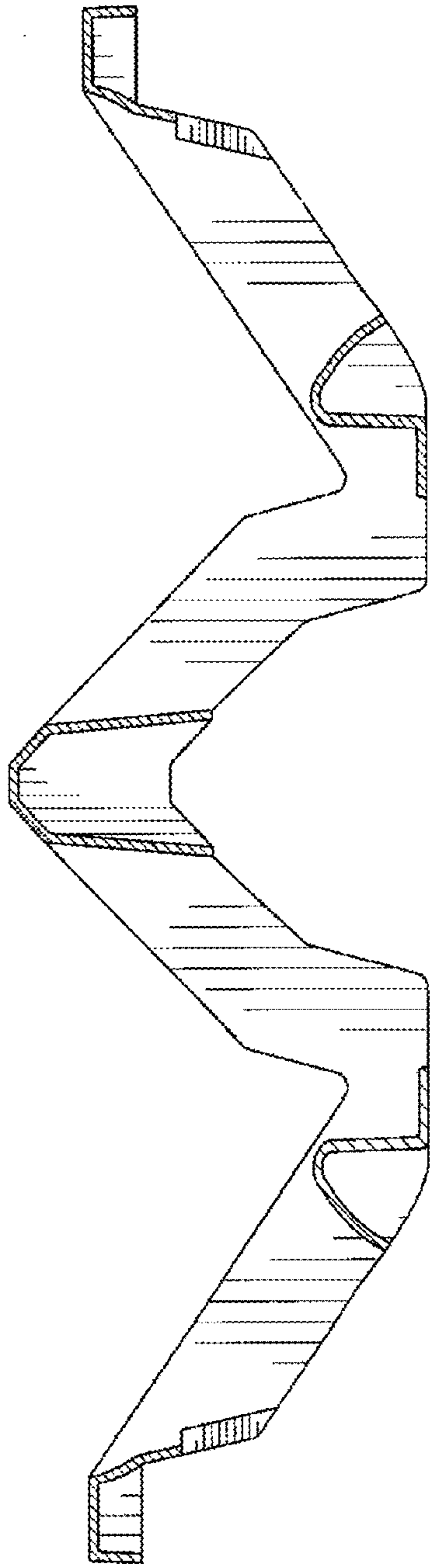


FIG. 6

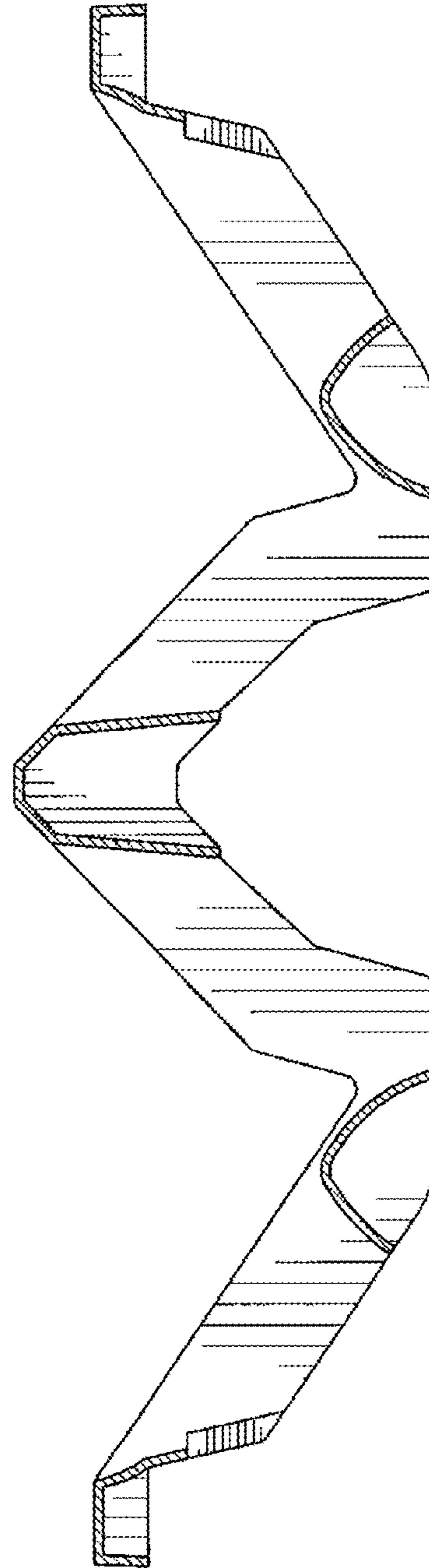


FIG. 7

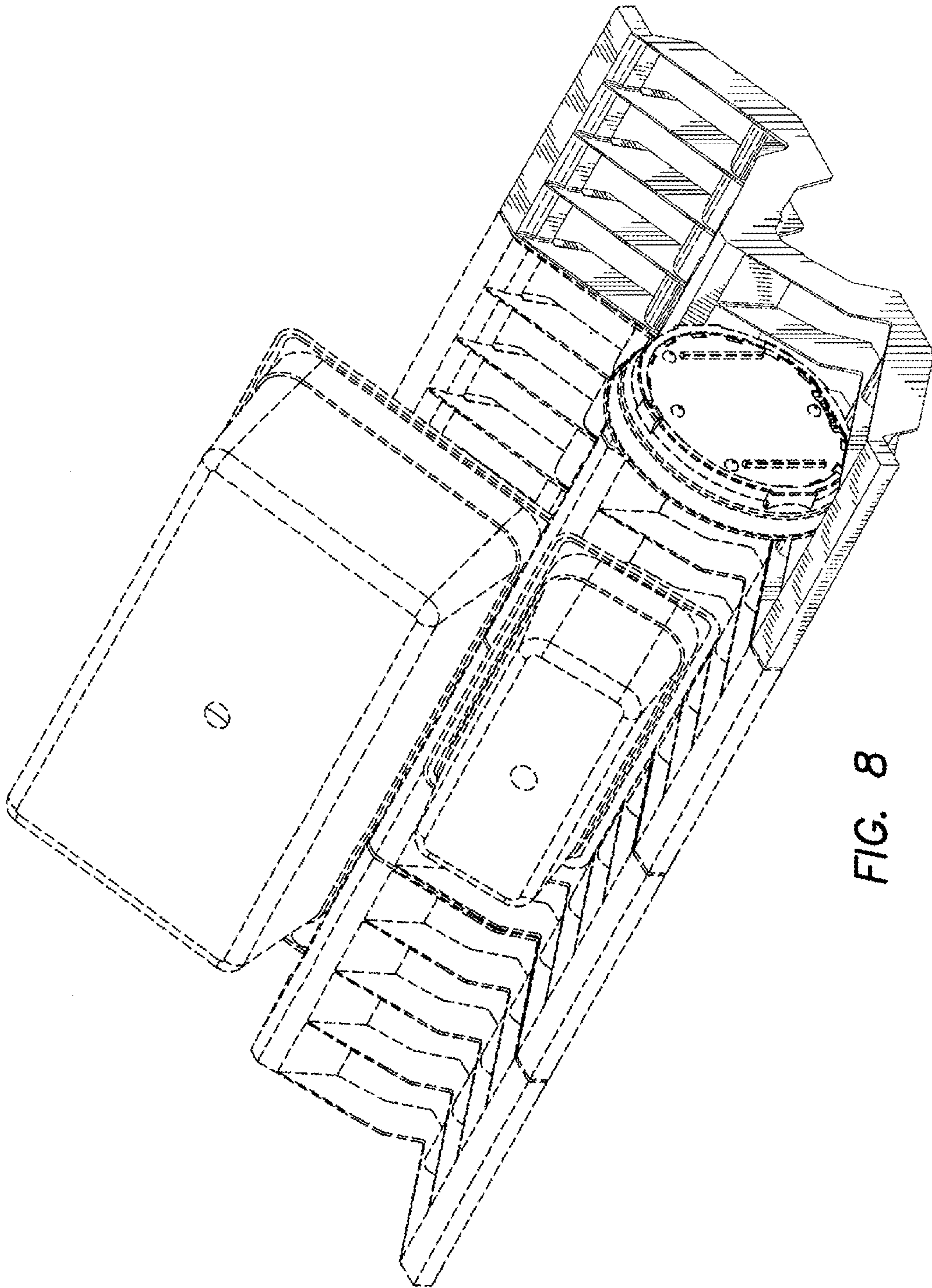


FIG. 8