



US00D755459S

(12) **United States Design Patent**
Erby

(10) **Patent No.:** **US D755,459 S**

(45) **Date of Patent:** **** *May 3, 2016**

(54) **DISH RACK TRAY INSERT**

(71) Applicant: **Rubbermaid Incorporated,**
Huntersville, NC (US)

(72) Inventor: **Savannah Marie Erby,** Kalamazoo, MI
(US)

(73) Assignee: **Rubbermaid Incorporated,**
Huntersville, NC (US)

(*) Notice: This patent is subject to a terminal disclaimer.

(**) Term: **14 Years**

(21) Appl. No.: **29/470,030**

(22) Filed: **Oct. 17, 2013**

(51) **LOC (10) Cl.** **07-05**

(52) **U.S. Cl.**
USPC **D32/56**

(58) **Field of Classification Search**
USPC D32/55, 276, 3; D6/510, 525; D30/133;
211/41.5, 41.4, 41.3, 41.8; 361/679.4;
312/311, 333, 334.4; D7/354, 629
CPC A47J 47/20; A47J 2201/00; A47J 47/00;
B65D 35/02; B65D 35/22; B65D 35/56
See application file for complete search history.

(56) **References Cited**

U.S. PATENT DOCUMENTS

D490,198 S *	5/2004	Jerstroem et al.	D32/55
D634,089 S *	3/2011	Wisniewski	D32/55
D667,190 S *	9/2012	Miller	D32/55
D677,443 S *	3/2013	Urdaneta	D32/55
D690,069 S *	9/2013	Sofy et al.	D32/55
D692,200 S *	10/2013	Lee et al.	D32/55

D695,482 S *	12/2013	Huang	D32/55
D699,413 S *	2/2014	Huang	D32/55
D706,008 S *	5/2014	Lerner	D32/55
D714,508 S *	9/2014	Joy	D32/55
D720,109 S *	12/2014	Huang	D32/55

OTHER PUBLICATIONS

- Simplehuman, Steel Frame Dish Rack, on or before Oct. 17, 2013.
- Simplehuman, Slim Dishrack, on or before Oct. 17, 2013.
- Umbra, Slat Bamboo Dish Drying Rack, on or before Oct. 17, 2013.
- Umbra, Drying Rack, on or before Oct. 17, 2013.
- Black & Blum, High and Dry Dishrack, on or before Oct. 17, 2013.
- Michael Graves, Small Dish Drainer, on or before Oct. 17, 2013.
- Progressive, Over-the-Sink Dish Drainer, on or before Oct. 17, 2013.
- Oxo, Folding Stainless Steel Dishrack, on or before Oct. 17, 2013.
- Joseph Joseph Arena, Dishrack, on or before Oct. 17, 2013.

* cited by examiner

Primary Examiner — Austin Murphy

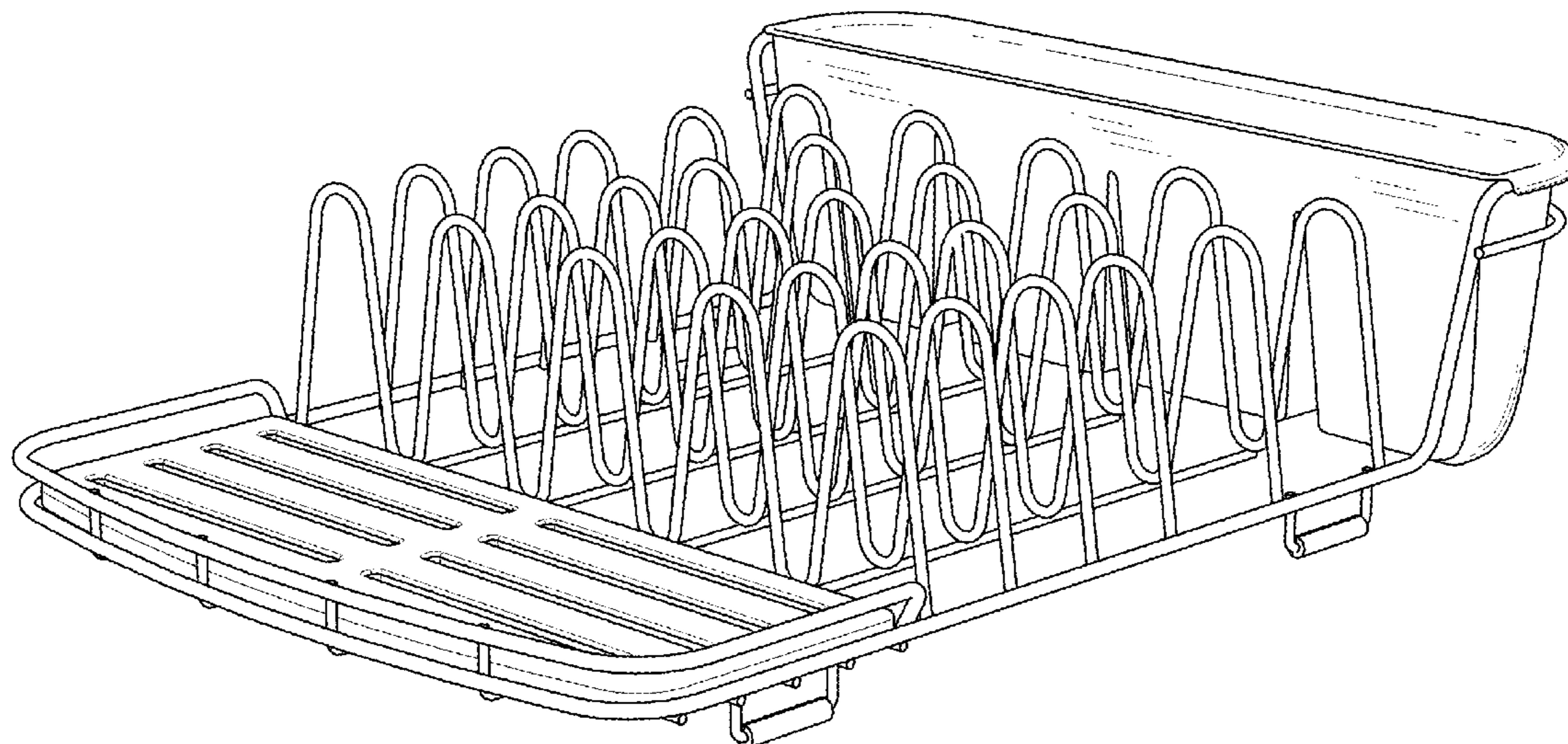
(57) **CLAIM**

The ornamental design for a “dish rack tray insert,” as shown and described.

DESCRIPTION

FIG. 1 is a perspective view of a dish rack tray insert, showing our new design, according to one embodiment;
 FIG. 2 is a top view thereof;
 FIG. 3 is a bottom view thereof;
 FIG. 4 is a right side view thereof;
 FIG. 5 is a left side view thereof;
 FIG. 6 is a front view thereof;
 FIG. 7 is a rear view thereof;
 FIG. 8 is an exploded view thereof; and,
 FIG. 9 is an elevational view thereof.
 The subject matter shown in dashed lines is for illustrative purposes and forms no part of the claimed design.

1 Claim, 9 Drawing Sheets



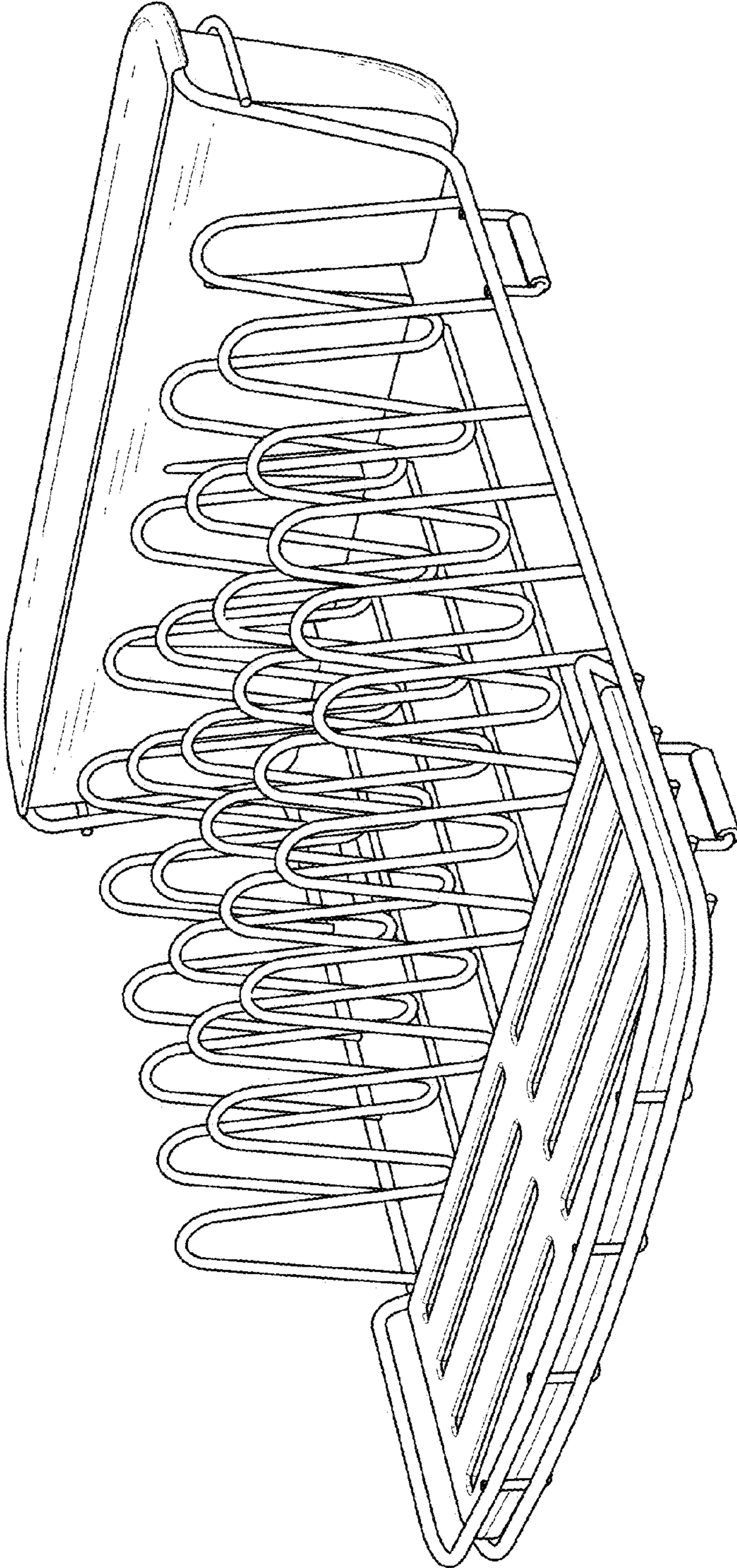


FIG. 1

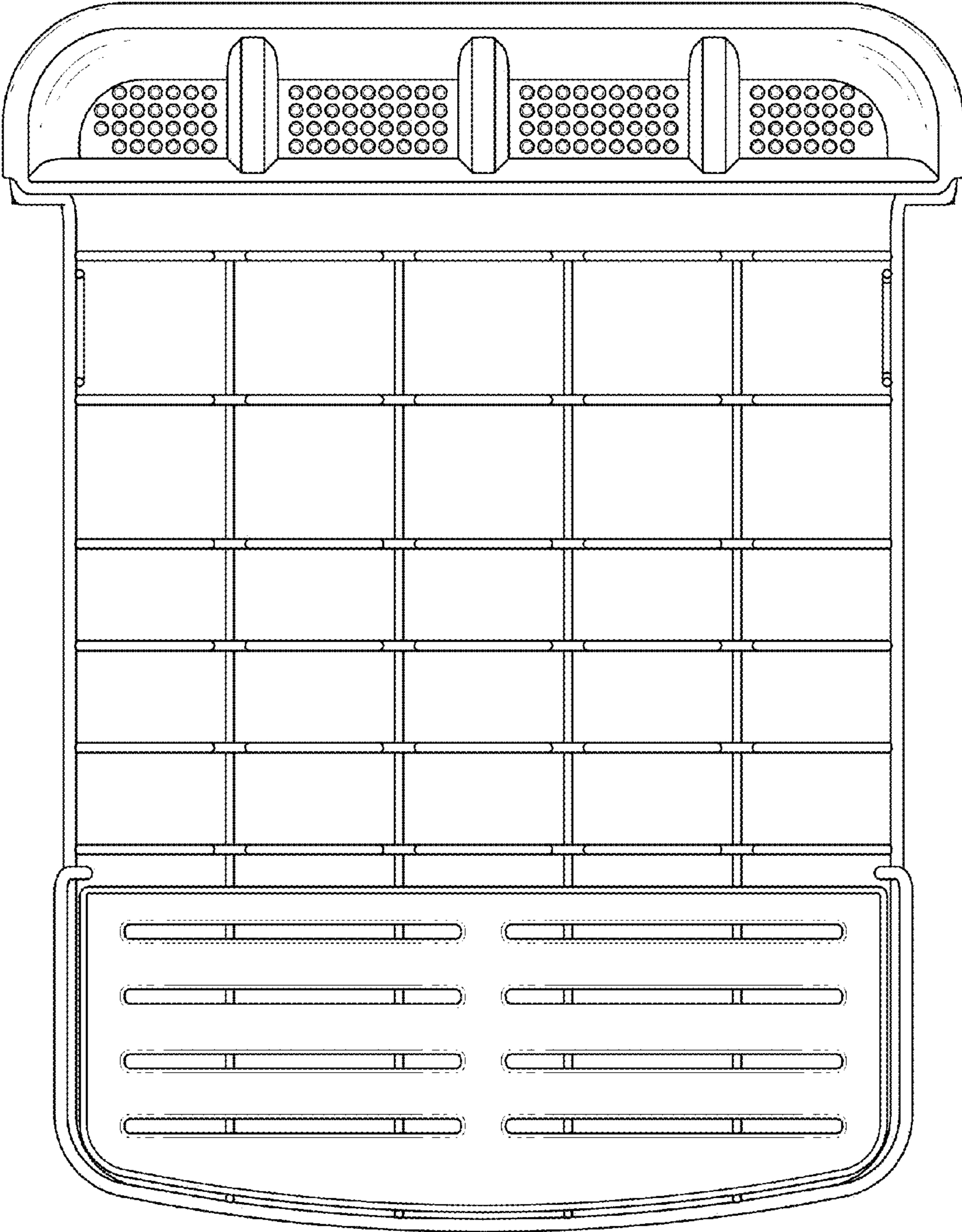


FIG. 2

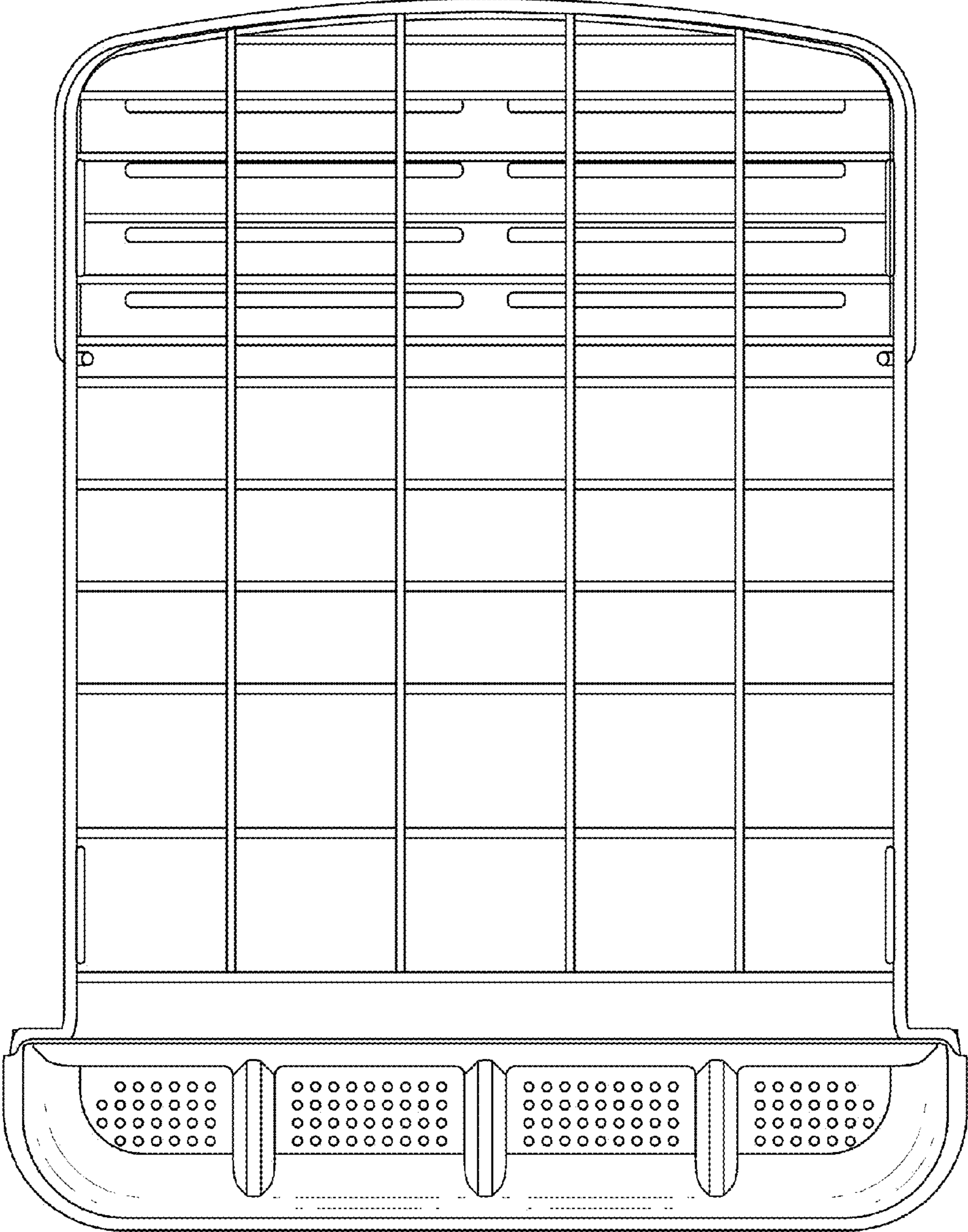


FIG. 3

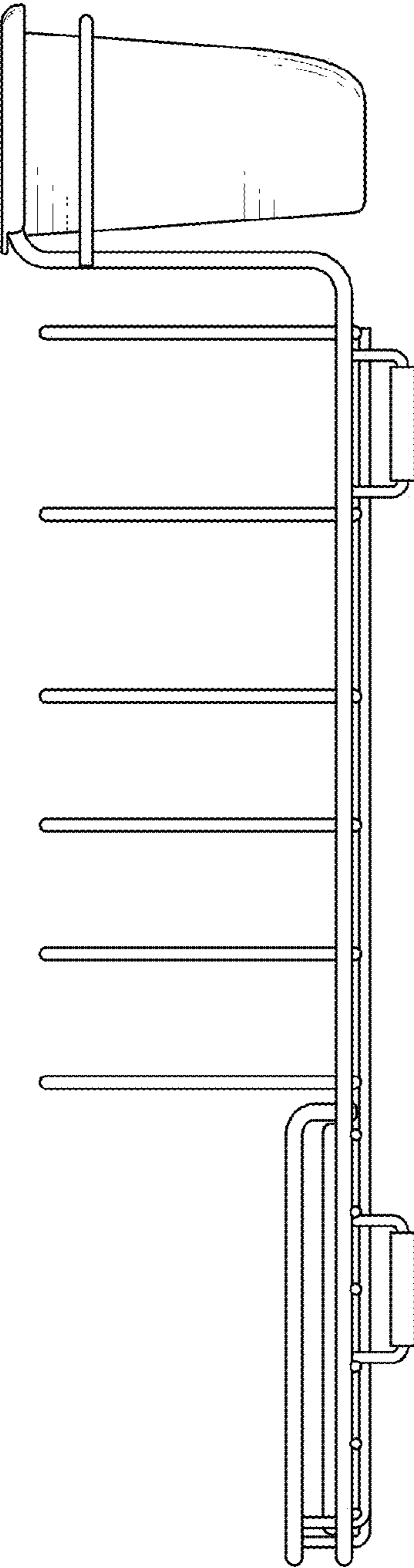


FIG. 4

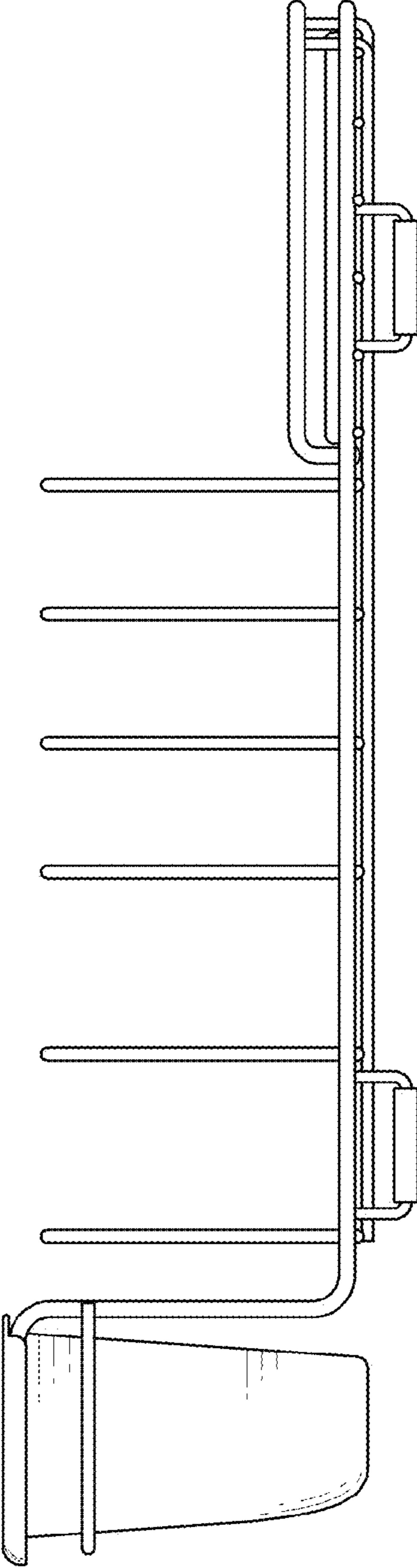


FIG. 5

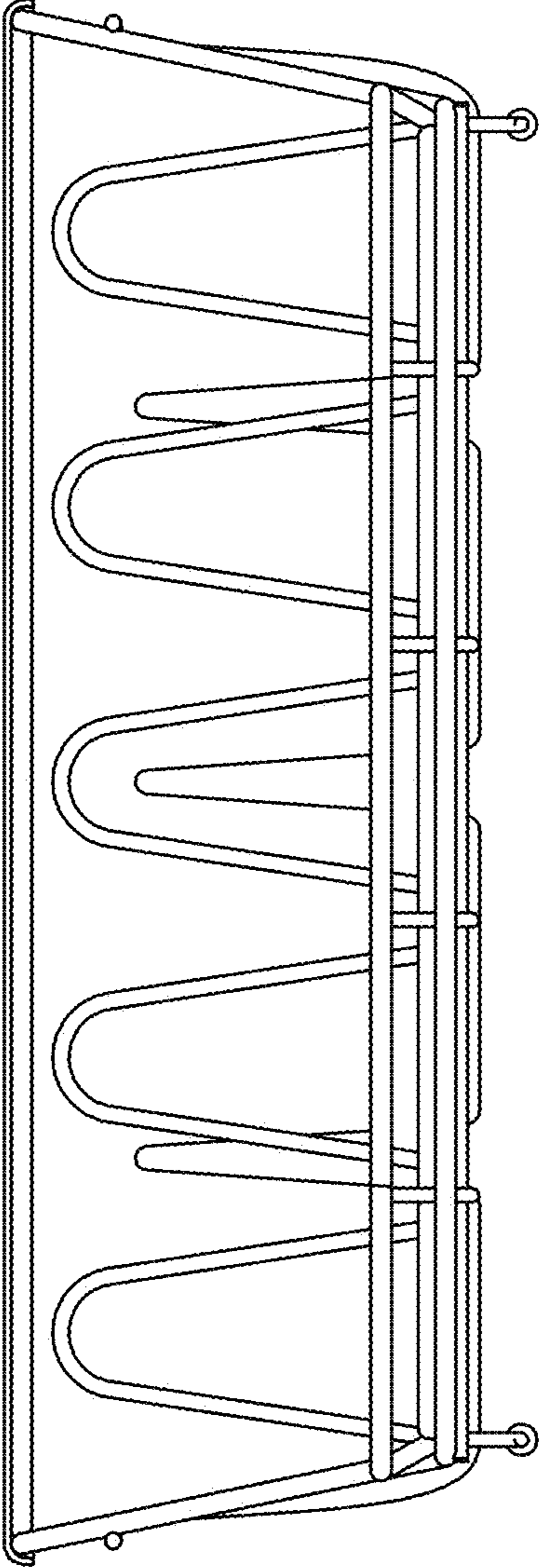


FIG. 6

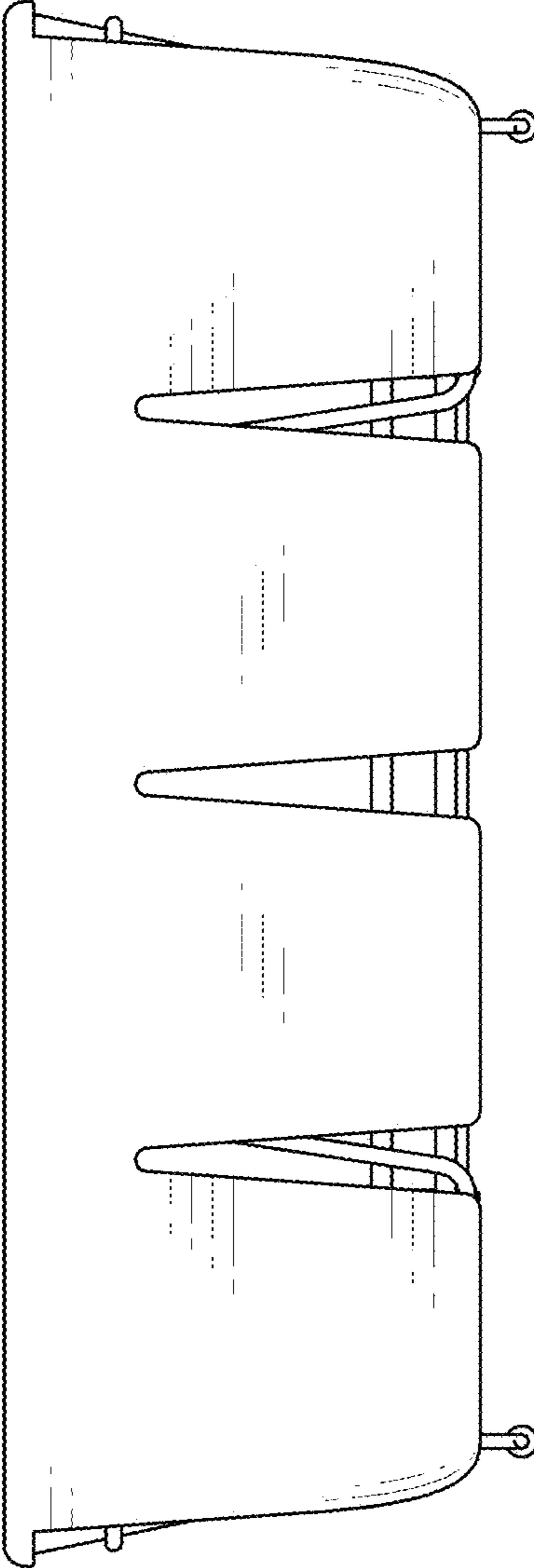


FIG. 7

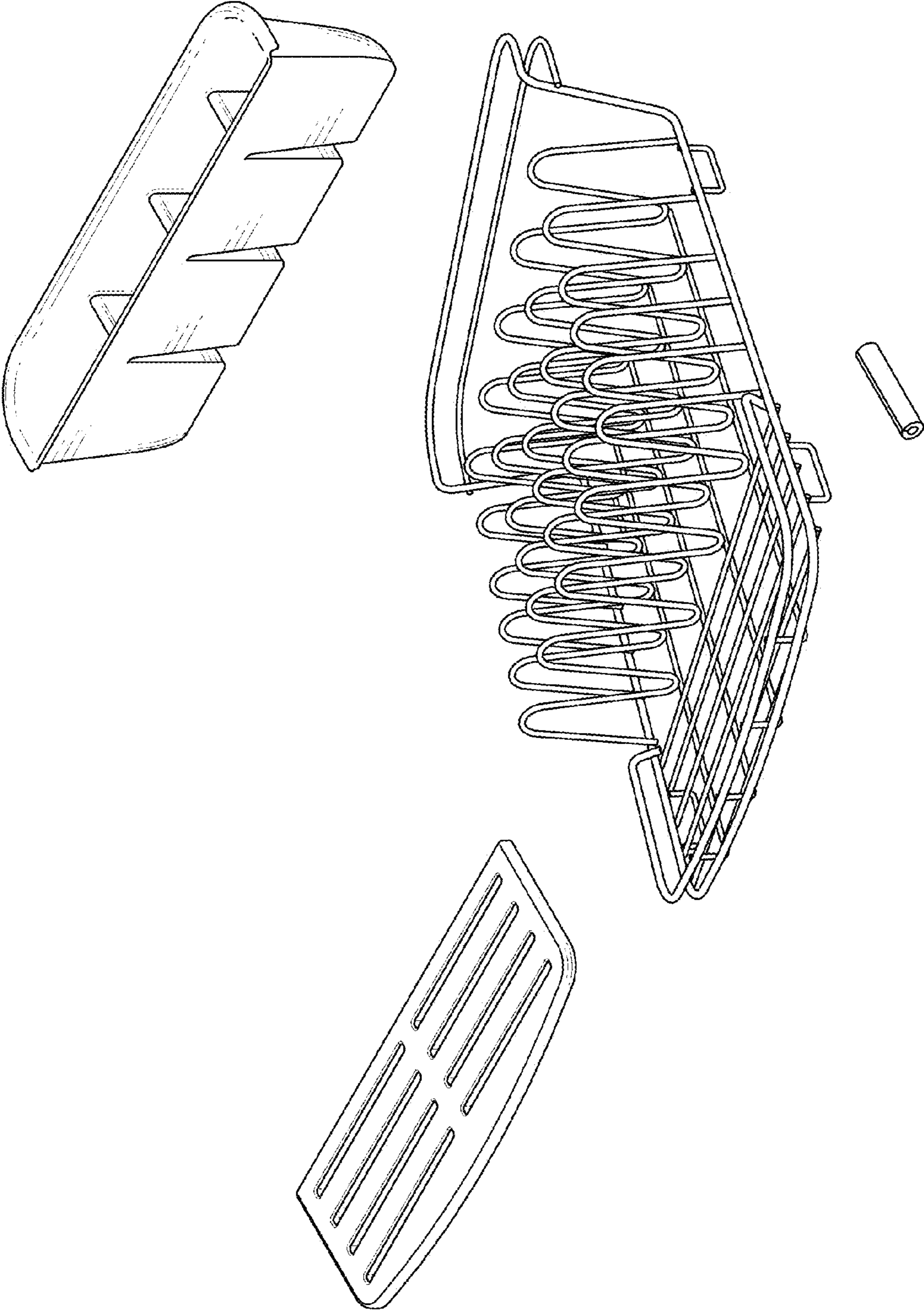


FIG. 8

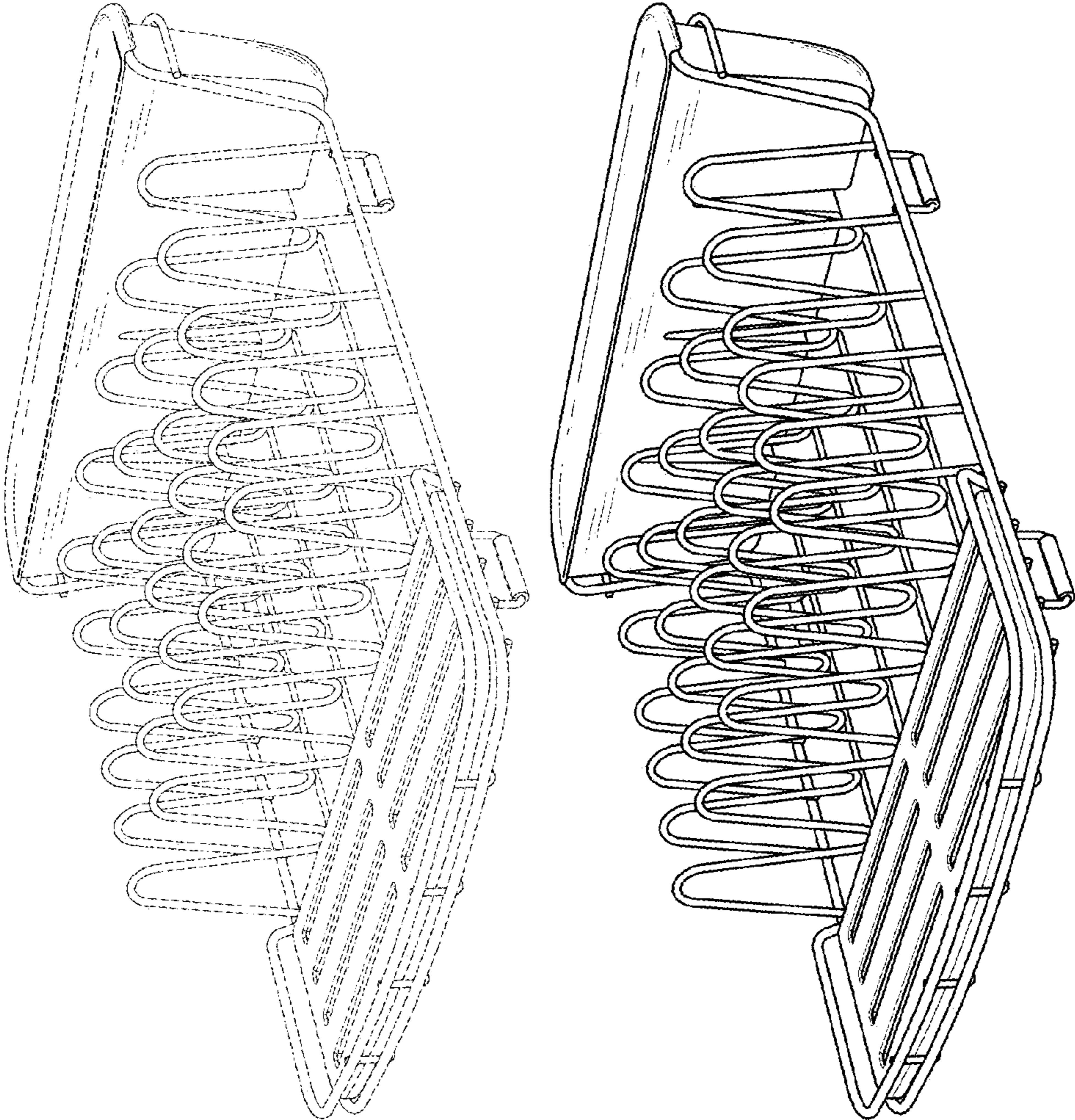


FIG. 9