



US00D755458S

(12) **United States Design Patent**  
**Jeon et al.**

(10) **Patent No.:** **US D755,458 S**

(45) **Date of Patent:** **\*\* May 3, 2016**

(54) **ELECTRIC WASHING MACHINE**

D663,497 S \* 7/2012 Ha et al. .... D32/29.1  
8,348,361 B2 \* 1/2013 Joerger et al. .... 312/334.18

(71) Applicant: **LG Electronics Inc.**, Seoul (KR)

(Continued)

(72) Inventors: **Hoil Jeon**, Gyeonggi-do (KR); **Youjin Chung**, Gyeonggi-do (KR); **Yeji Um**, Seoul (KR); **Taewoo Yoo**, Seoul (KR)

FOREIGN PATENT DOCUMENTS

(73) Assignee: **LG Electronics Inc.**, Seoul (KR)

WO WO D007100-001 \* 8/1986

(\*\*) Term: **14 Years**

(21) Appl. No.: **29/468,238**

OTHER PUBLICATIONS

Detergent Dispenser Location in Samsung Top Load Washing Machines, update Dec. 26, 2012, online, [http://support-us.samsung.com/...odelname=WA456DRHDSU/AA&from\\_osc=&idx=419549&modelcode=WA456DRHDSU/AA&](http://support-us.samsung.com/...odelname=WA456DRHDSU/AA&from_osc=&idx=419549&modelcode=WA456DRHDSU/AA&), [site visited Mar. 21, 2015 5:30:34 PM].\*

(22) Filed: **Sep. 27, 2013**

(Continued)

(30) **Foreign Application Priority Data**

Mar. 29, 2013 (KR) ..... 30-2013-0016263

(51) **LOC (10) Cl.** ..... **15-05**

*Primary Examiner* — John Windmuller

*Assistant Examiner* — John R Yeh

(74) *Attorney, Agent, or Firm* — Morgan, Lewis & Bockius LLP

(52) **U.S. Cl.**

USPC ..... **D32/25**

(57) **CLAIM**

The ornamental design for an electric washing machine, as shown and described.

(58) **Field of Classification Search**

USPC ..... D32/1, 5-6, 15, 25, 28, 29.1, 30; 68/3 R, 68/13 R, 17 R, 171, 27, 17 A; D6/705, 702; D15/89-90; D7/340-341, 348, 387; 134/56 D, 130, 190; 34/73, 108; 8/158

See application file for complete search history.

**DESCRIPTION**

FIG. 1 is a perspective view of the electric washing machine showing our new design;

FIG. 2 is a front view thereof;

FIG. 3 is a rear view thereof;

FIG. 4 is a left side view thereof where the right side view is a mirror image;

FIG. 5 is a top plan view thereof;

FIG. 6 is a bottom plan view thereof;

FIG. 7 is a perspective view showing the state in which the cover of detergent box of the electric washing machine has been closed; and,

FIG. 8 is a top plan view of FIG. 7.

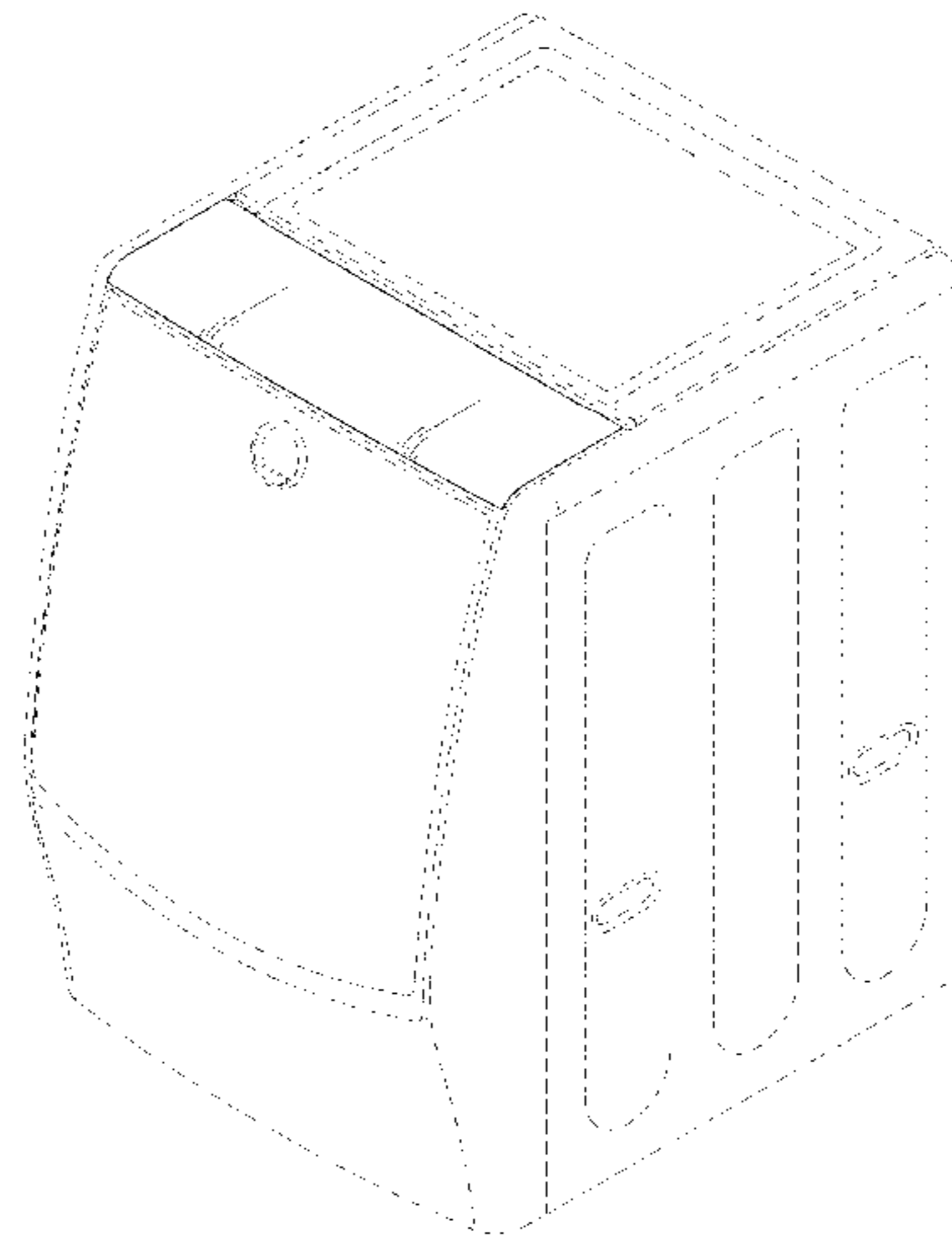
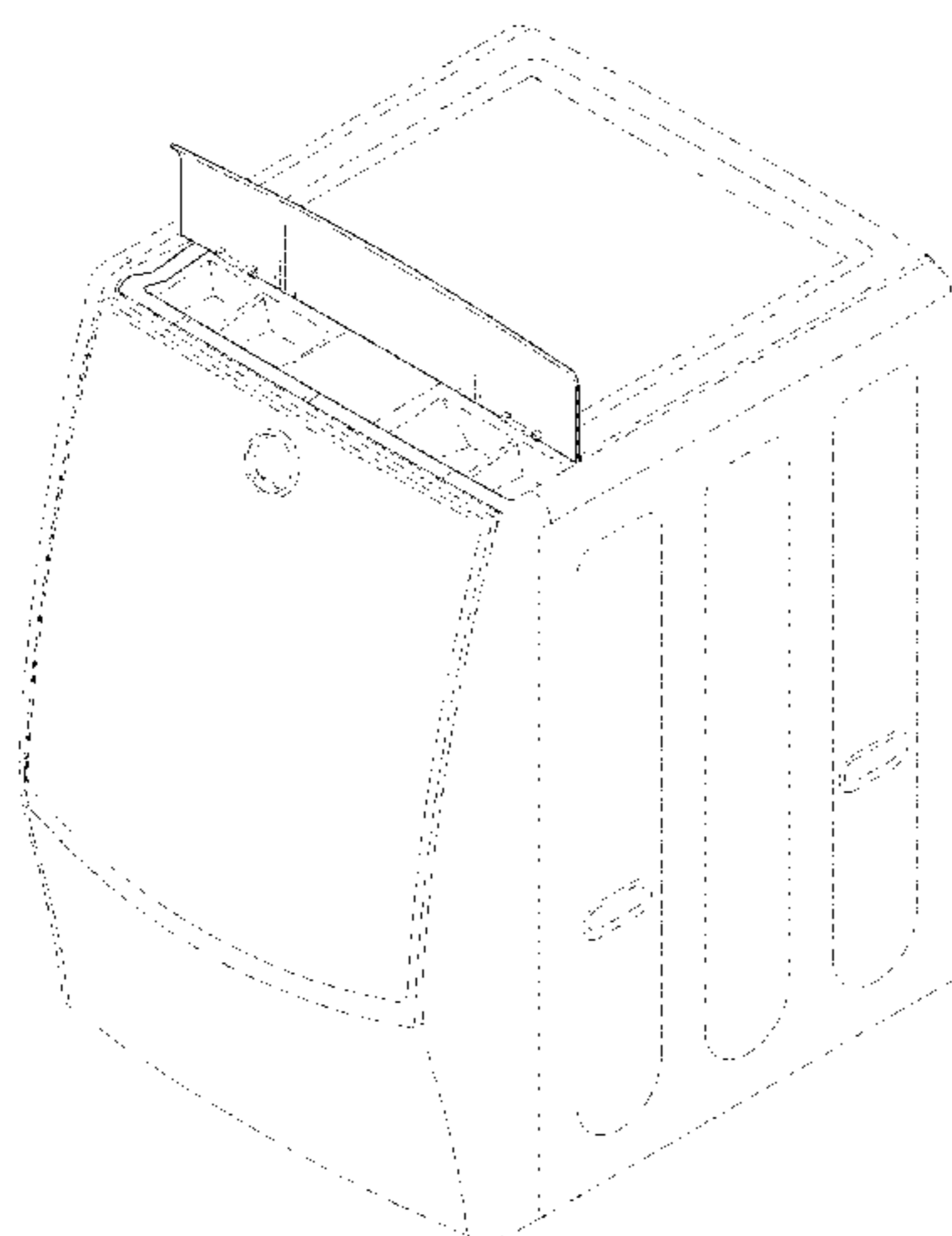
The broken lines are for illustrative purposes only and form no part of the claimed design.

(56) **References Cited**

U.S. PATENT DOCUMENTS

D484,651 S \* 12/2003 Linahon et al. .... D32/25  
D485,400 S \* 1/2004 Kiefer et al. .... D32/25  
D519,692 S \* 4/2006 Jun ..... D32/6  
7,313,933 B2 \* 1/2008 Carey et al. .... 68/3 R  
D571,964 S \* 6/2008 Kim ..... D32/6  
D575,012 S \* 8/2008 Rossetto et al. .... D32/6  
D629,168 S \* 12/2010 Park et al. .... D32/25  
D648,084 S \* 11/2011 Browne et al. .... D32/28  
D658,343 S \* 4/2012 Jeon et al. .... D32/29.1

**1 Claim, 8 Drawing Sheets**



(56)

**References Cited**

U.S. PATENT DOCUMENTS

D683,505 S \* 5/2013 Chung et al. .... D32/29.1  
D697,681 S \* 1/2014 Chung et al. .... D32/29.1  
D703,891 S \* 4/2014 Chung et al. .... D32/25  
D705,508 S \* 5/2014 Calmeise ..... D32/28  
2006/0162392 A1 \* 7/2006 Kwon et al. .... 68/17 R  
2007/0151301 A1 \* 7/2007 Kendall et al. .... 68/3 R  
2009/0145176 A1 \* 6/2009 Kim et al. .... 68/27  
2009/0211463 A1 \* 8/2009 Marrone ..... 99/646 C

OTHER PUBLICATIONS

LG Ultra Large Graphite Steel Top Load Washer—WT5170HV—  
Abt, oldest review date May 3, 2012, online, [http://www.abt.com/  
product/60308/LG-WT5170HV.html#tab2](http://www.abt.com/product/60308/LG-WT5170HV.html#tab2), [site visited Mar. 21,  
2015 5:23:56 PM].\*

Panasonic Australia washing machine article, website copy-  
right 2011, [http://au.panasonic.com.au/...+and+views/News/2014/  
September/Panasonic+Australia+saves+time+and+energy+in+the+  
laundry+with+new+washing+machines](http://au.panasonic.com.au/...+and+views/News/2014/September/Panasonic+Australia+saves+time+and+energy+in+the+laundry+with+new+washing+machines), [site visited Mar. 19, 2015  
9:17:58 PM].\*

\* cited by examiner

FIG. 1

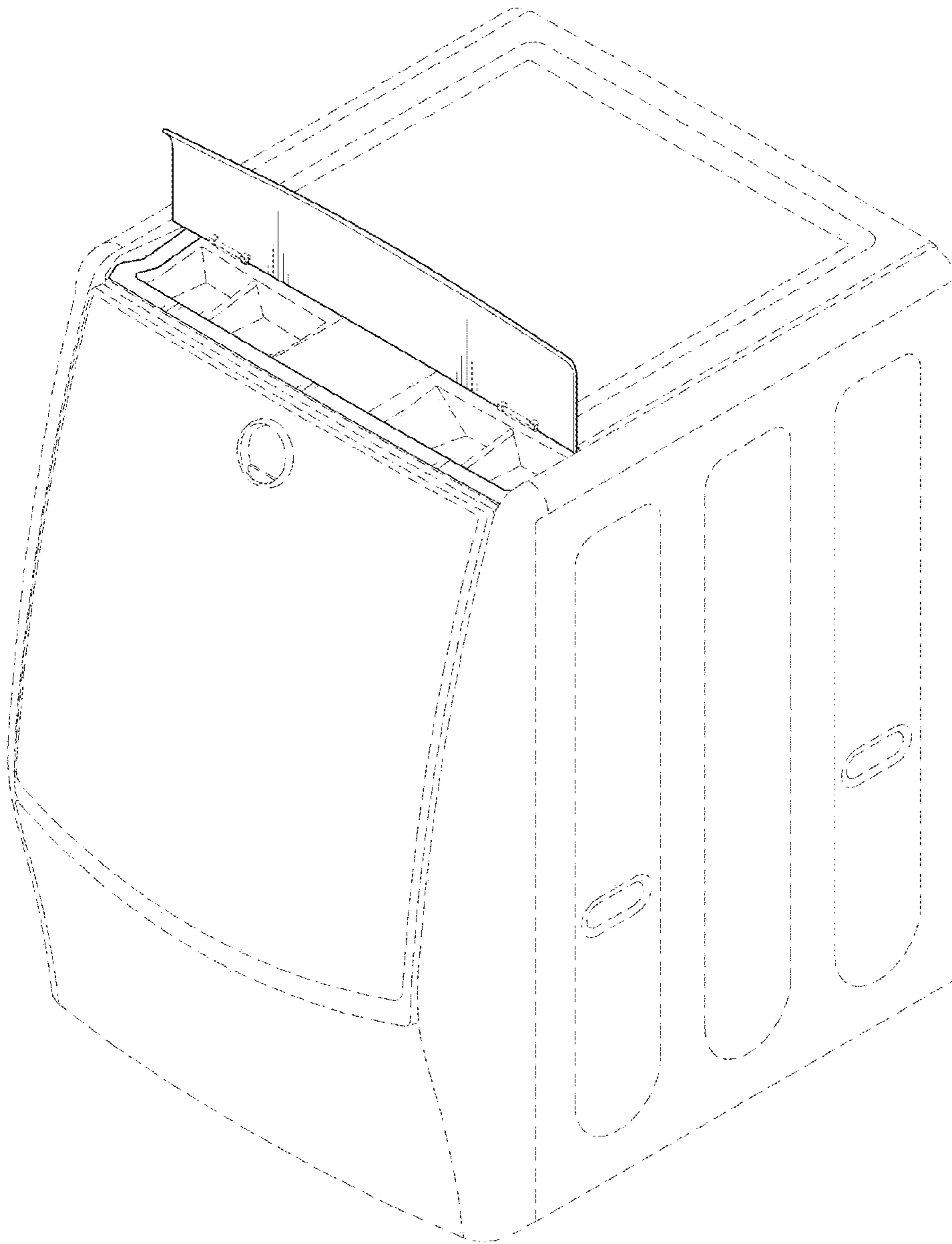


FIG. 2

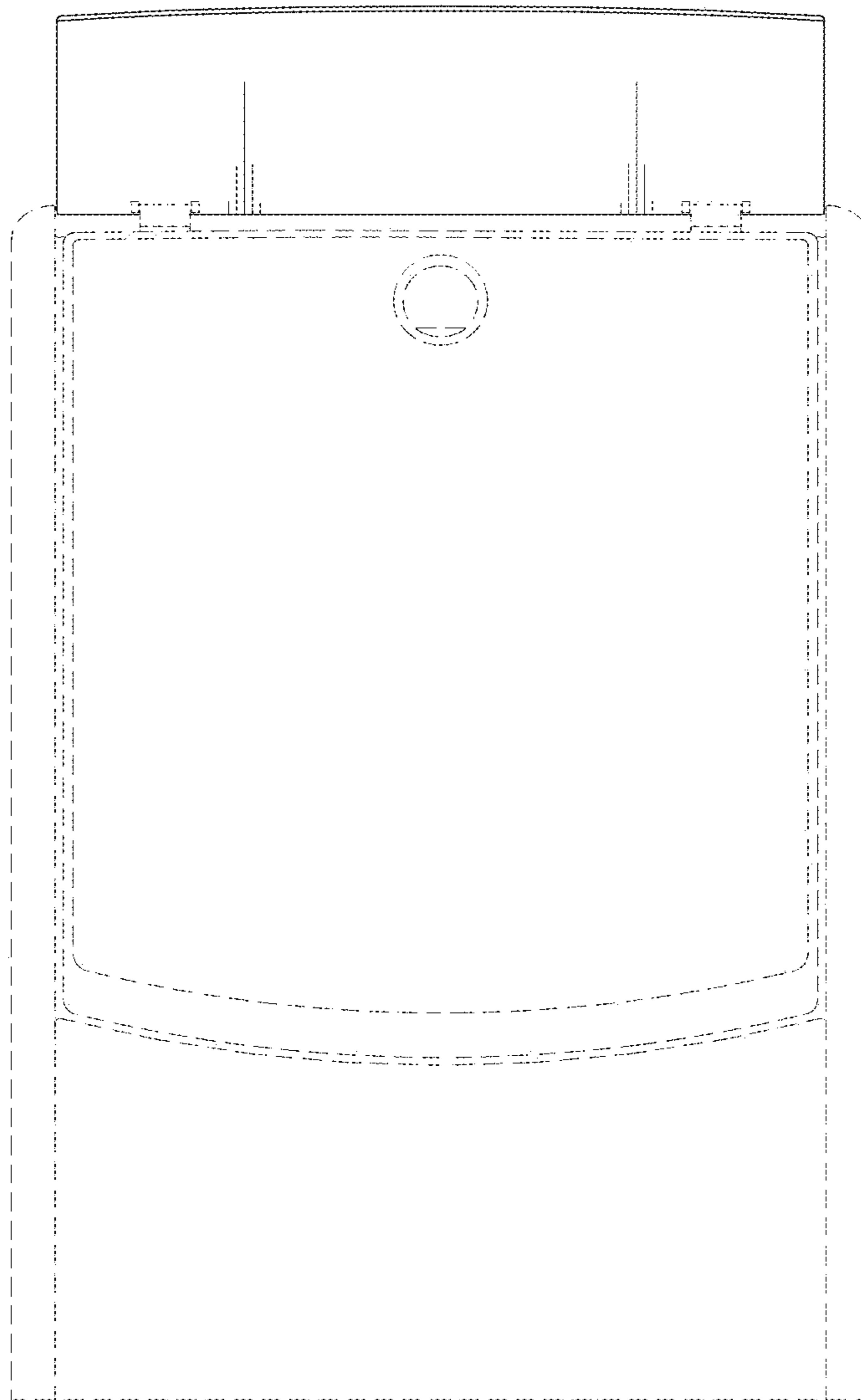


FIG. 3

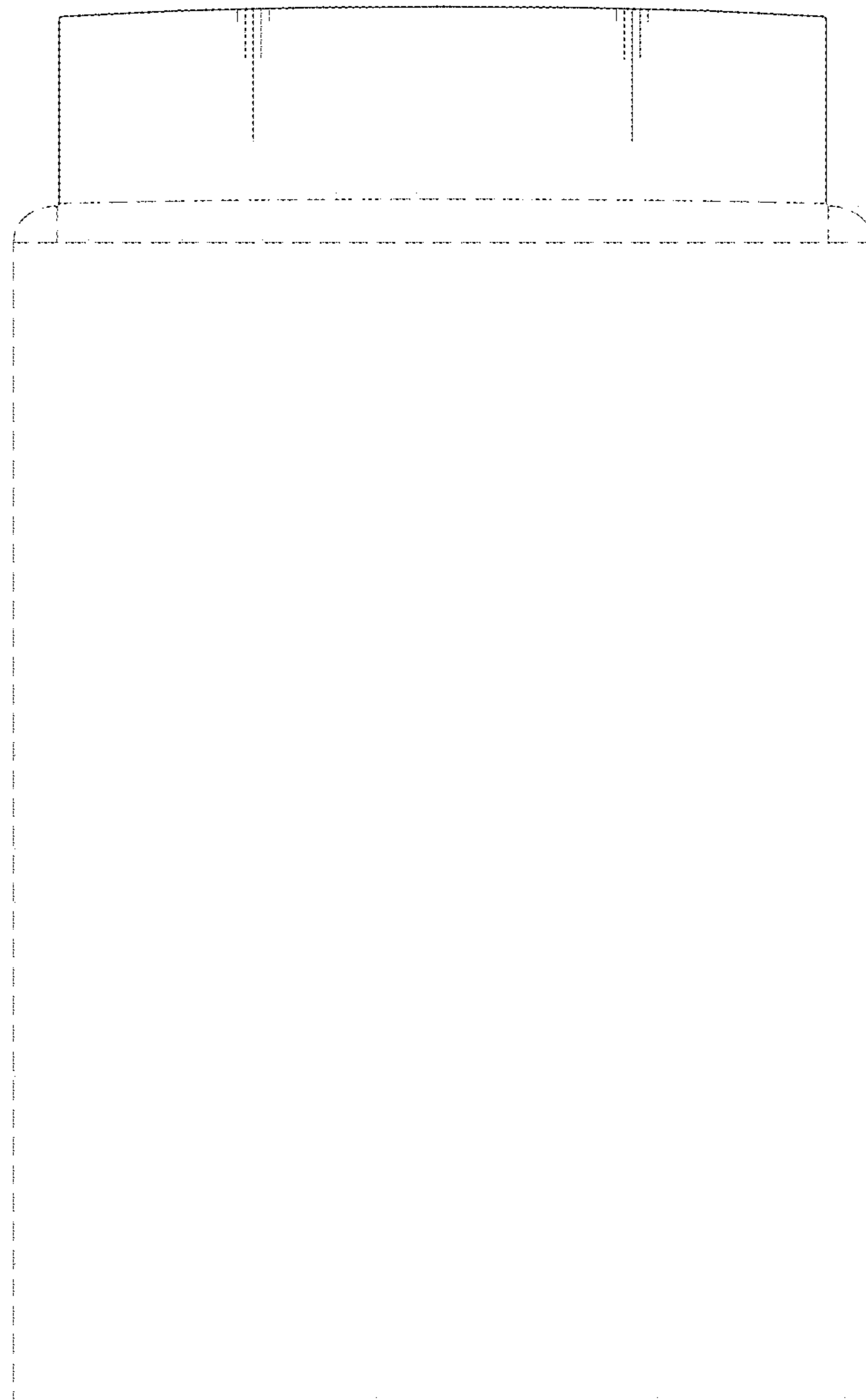


FIG. 4

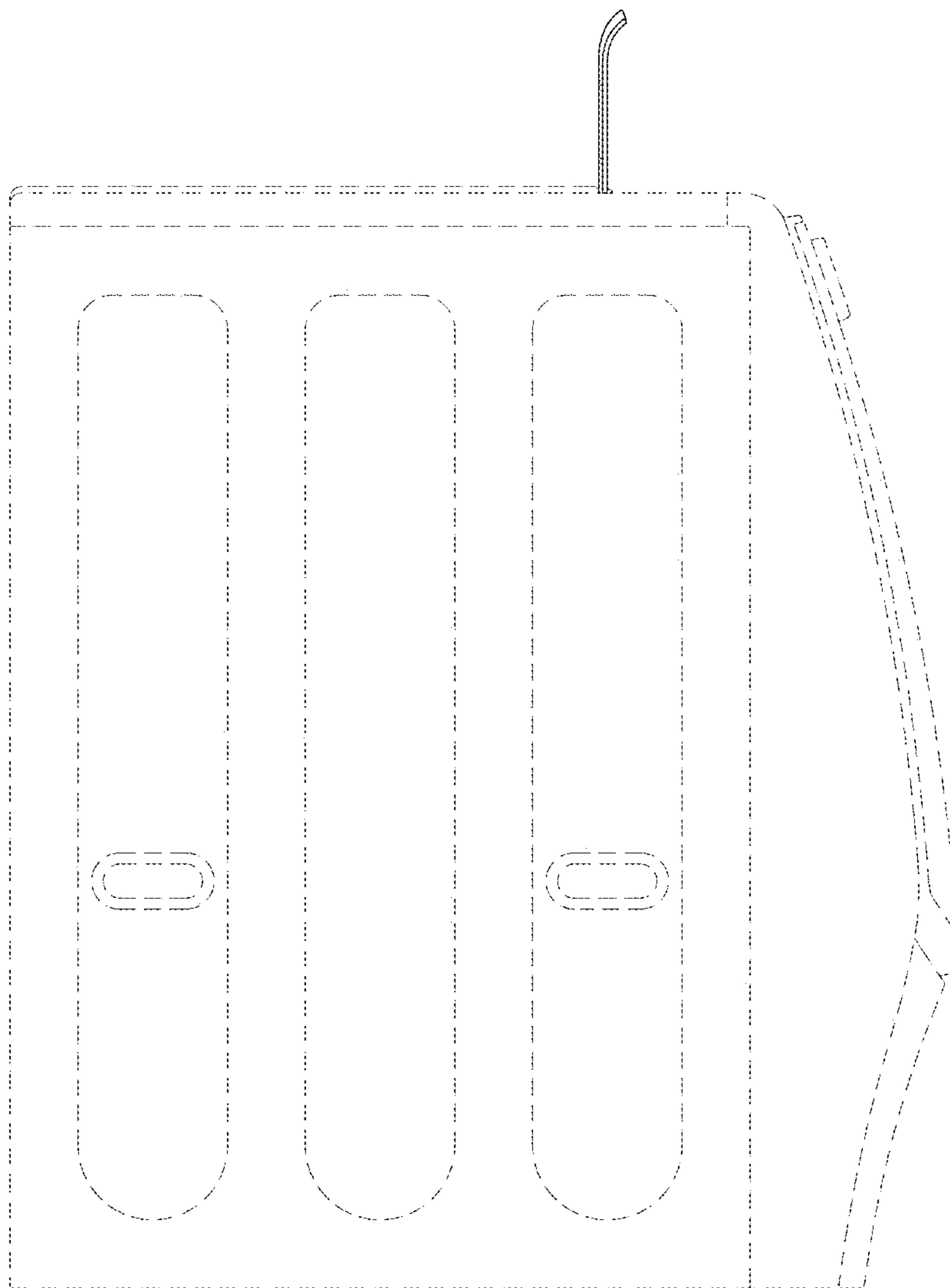


FIG. 5

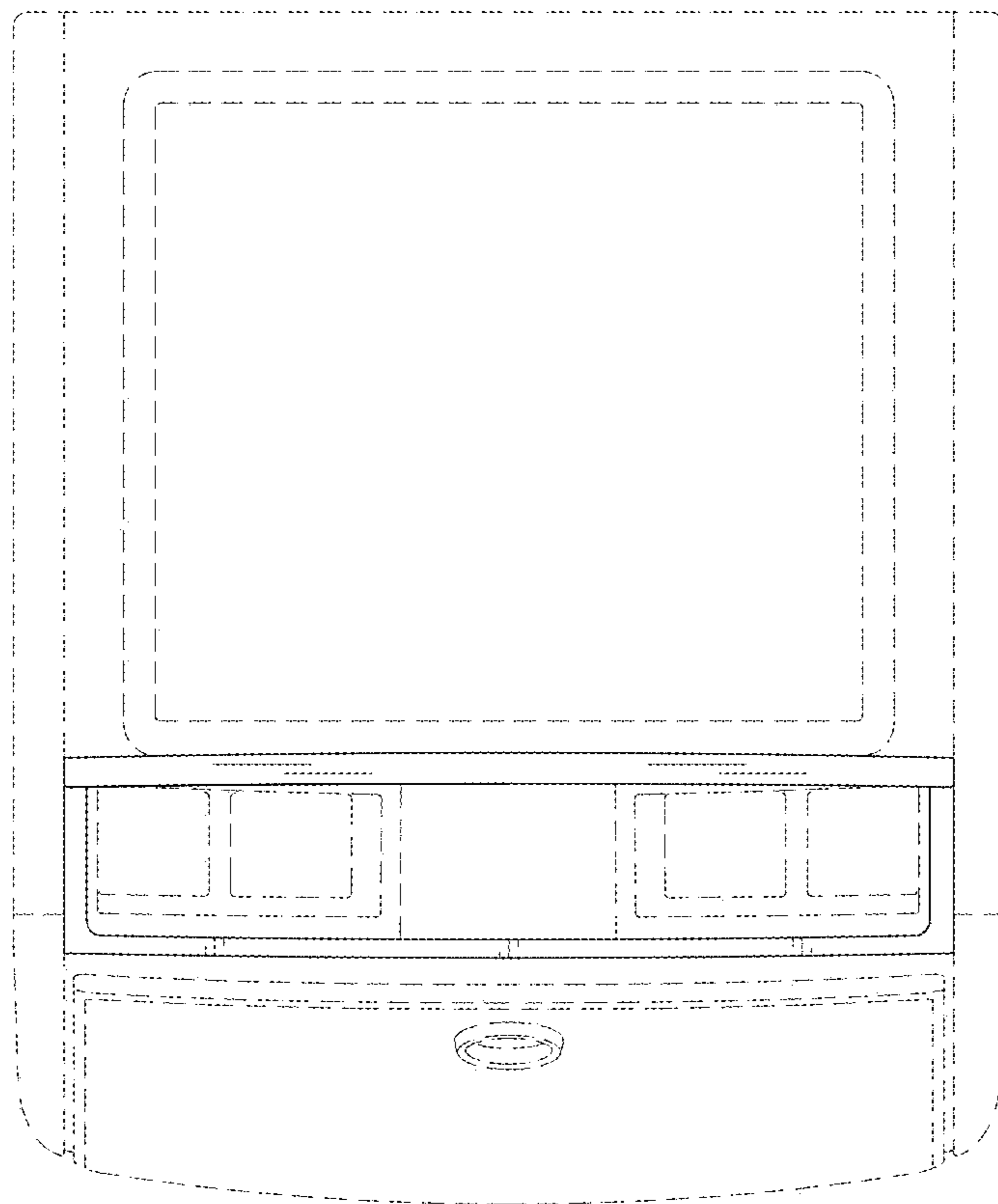


FIG. 6

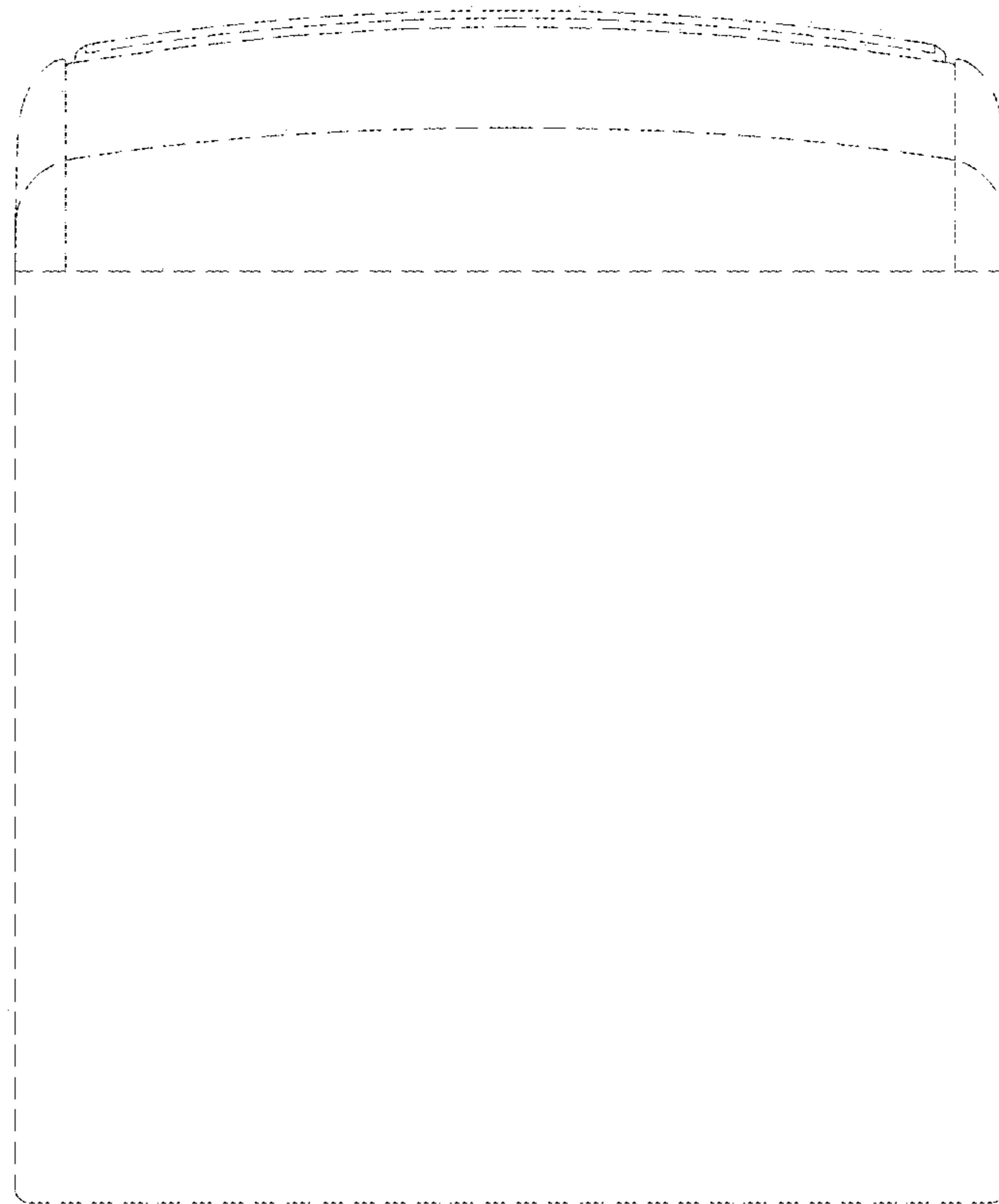




FIG. 7

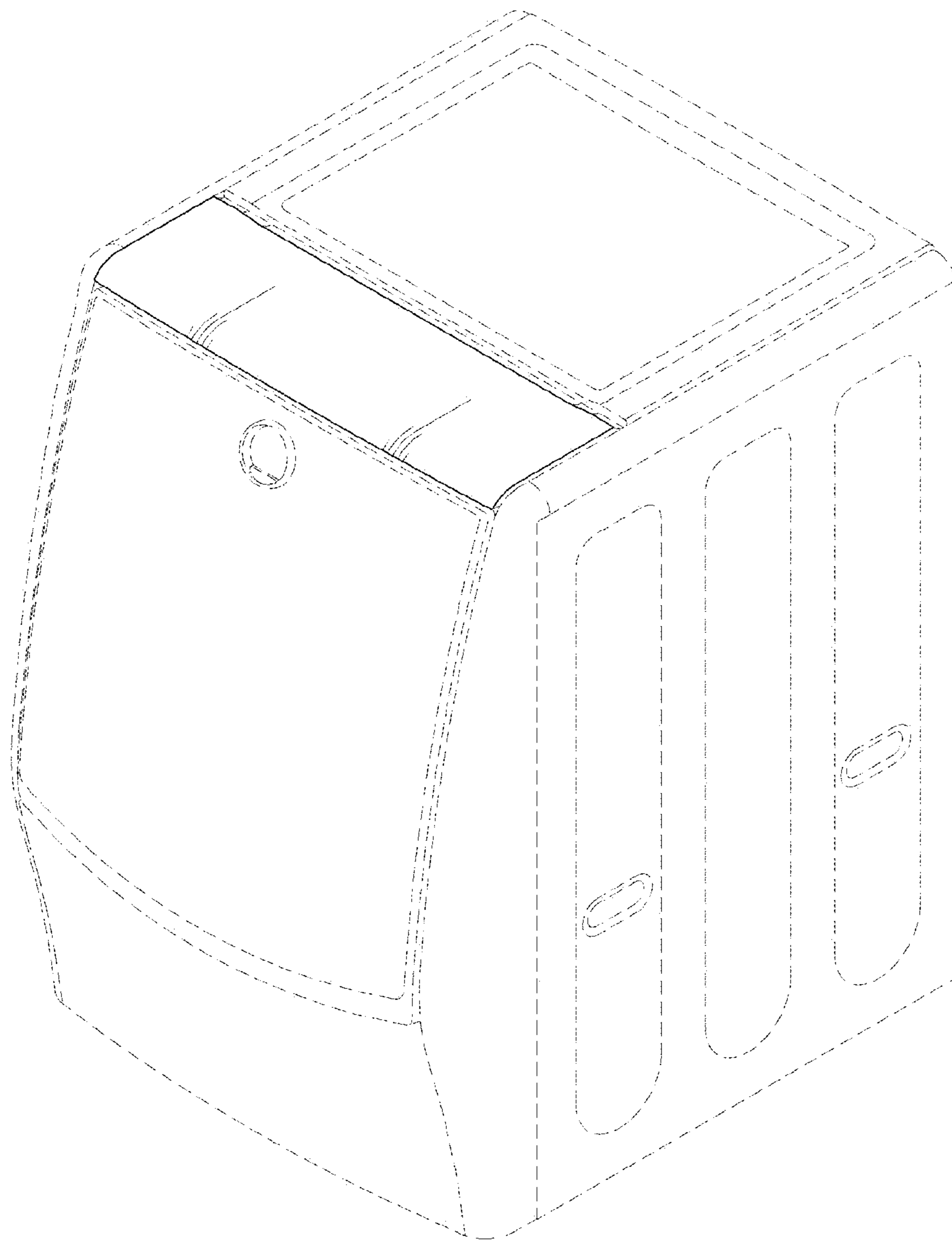


FIG. 8

