



US00D755457S

(12) **United States Design Patent**
Chung et al.

(10) **Patent No.:** **US D755,457 S**
(45) **Date of Patent:** **** May 3, 2016**

- (54) **ELECTRIC WASHING MACHINE**
- (71) Applicant: **LG Electronics Inc.**, Seoul (KR)
- (72) Inventors: **Wookjun Chung**, Seoul (KR); **Hoil Jeon**, Gyeonggi-do (KR); **Youjin Chung**, Gyeonggi-do (KR); **Yeji Um**, Seoul (KR); **Taewoo Yoo**, Seoul (KR)
- (73) Assignee: **LG Electronics Inc.**, Seoul (KR)
- (**) Term: **14 Years**
- (21) Appl. No.: **29/468,235**
- (22) Filed: **Sep. 27, 2013**
- (30) **Foreign Application Priority Data**
Mar. 29, 2013 (KR) 30-2013-0016264
- (51) **LOC (10) Cl.** **15-05**
- (52) **U.S. Cl.**
USPC **D32/25**
- (58) **Field of Classification Search**
USPC D32/1, 6, 25, 28, 35; 63/15, 15.1, 32, 63/34, 12; 427/404-405; D11/1-3, 17; D10/30-33, 64; 277/500
CPC A44C 17/0233
See application file for complete search history.

- (56) **References Cited**
U.S. PATENT DOCUMENTS
96,916 A * 11/1869 Hisley 29/512
427,172 A * 5/1890 Howard 63/34
1,207,047 A * 12/1916 Hunt 63/15
D203,551 S * 1/1966 Tranfield D11/26
3,920,254 A * 11/1975 Johnston et al. 277/462
D270,270 S * 8/1983 Price D17/20
D347,885 S * 6/1994 Gustafsson D23/269
D392,585 S * 3/1998 Kohl D11/26
D442,509 S * 5/2001 Yamanaka D11/26
D449,621 S * 10/2001 Hamlin D15/5

- 6,619,664 B1 * 9/2003 Metz 277/399
- D515,257 S * 2/2006 Geyer D32/6
- D525,753 S * 7/2006 Schoene D32/25
- 7,313,933 B2 * 1/2008 Carey et al. 68/3 R
- D584,015 S * 12/2008 Um D32/6
- D608,236 S * 1/2010 Akdemir D11/26

(Continued)

OTHER PUBLICATIONS

Two gold wedding rings—Stock Photo © ISergey #1188067, pub date Nov. 22, 2009, online, <http://depositphotos.com/1188067/stock-photo-two-gold-wedding-rings.html?sq=5ue6hp&sst=0>, [site visited Mar. 23, 2015 9:47:06 PM].*

(Continued)

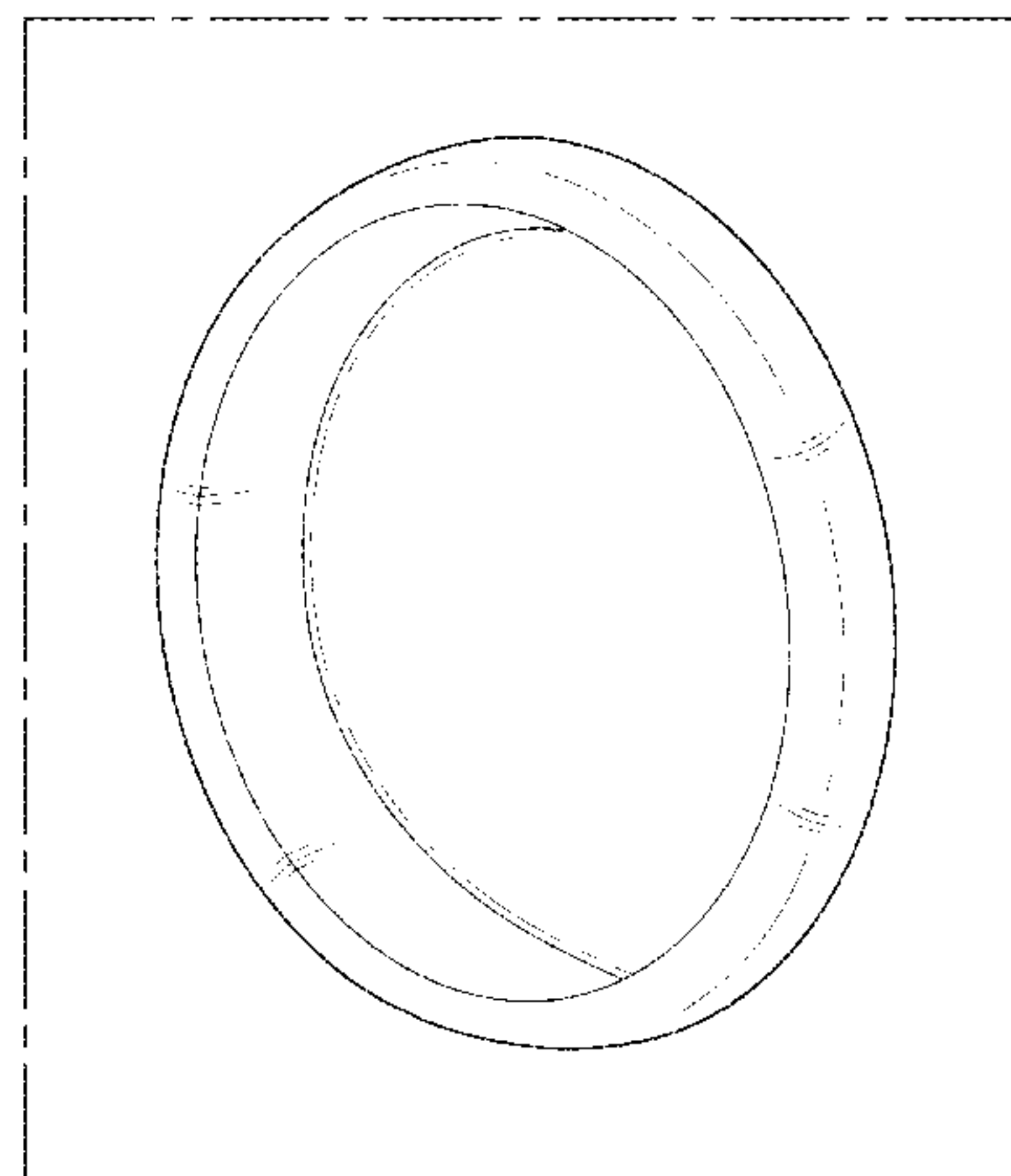
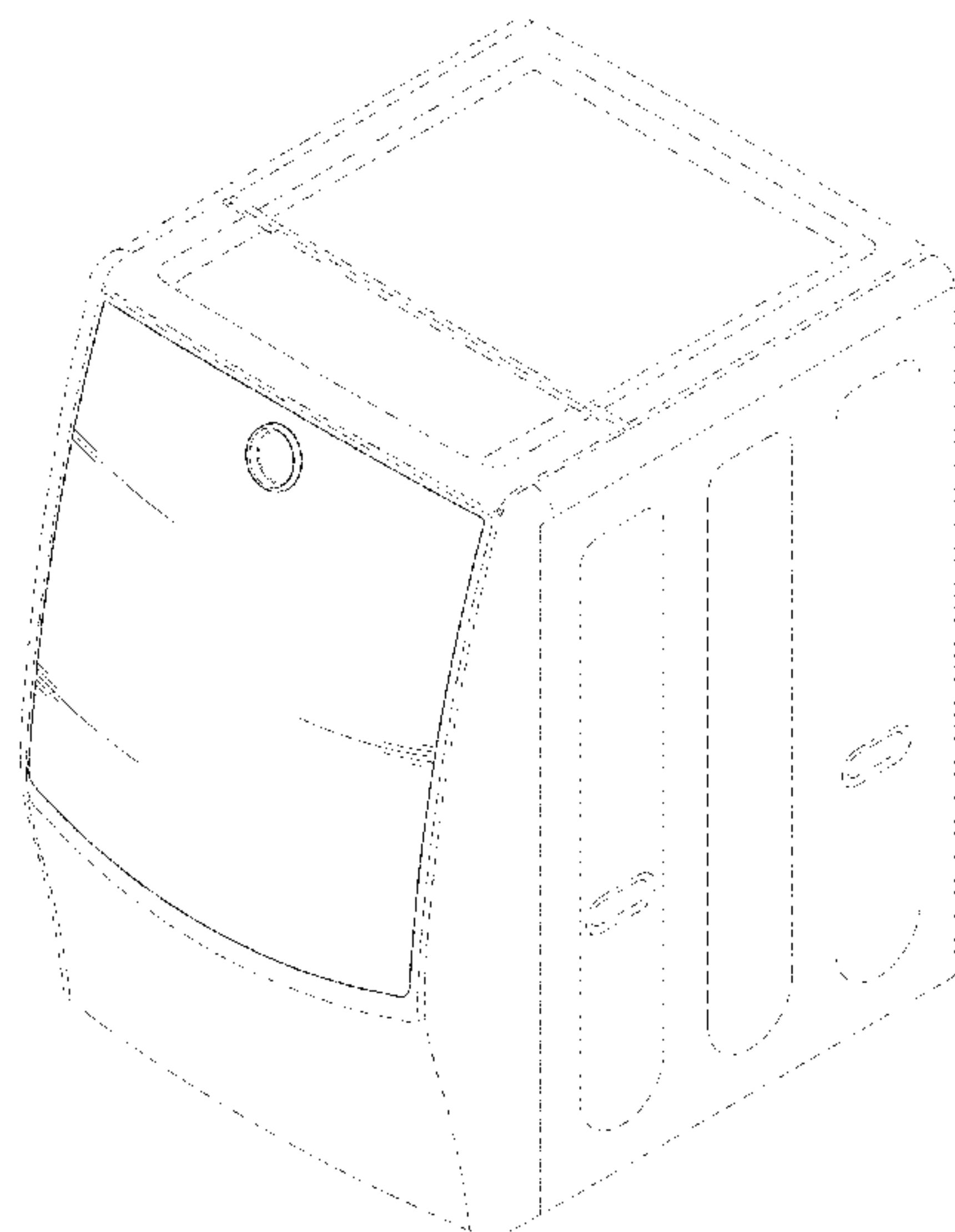
Primary Examiner — John Windmuller
Assistant Examiner — John R Yeh
(74) *Attorney, Agent, or Firm* — Morgan, Lewis & Bockius LLP

(57) **CLAIM**
The ornamental design for an electric washing machine, as shown and described.

DESCRIPTION

FIG. 1 is a perspective view of the electric washing machine showing our new design;
FIG. 2 is a front view thereof;
FIG. 3 is a rear view thereof;
FIG. 4 is a left side view thereof where the right side view is a mirror image;
FIG. 5 is a top plan view thereof;
FIG. 6 is a bottom plan view thereof; and,
FIG. 7 is an in-part enlarged view of FIG. 1.
The broken lines are for illustrative purposes only and form no part of the claimed design.
The dash-dot broken lines define the bounds of the claimed design and form no part thereof.

1 Claim, 7 Drawing Sheets



(56)

References Cited

U.S. PATENT DOCUMENTS

D611,983	S *	3/2010	Bales	D17/20
7,674,963	B1 *	3/2010	Poggi	84/312 R
D622,918	S *	8/2010	Choi et al.	D32/25
D632,949	S *	2/2011	Rowley	D8/356
D681,176	S *	4/2013	Chacko	D23/269
2005/0084226	A1 *	4/2005	Mockett	385/136
2006/0090511	A1 *	5/2006	Boone	63/15.1
2006/0117813	A1 *	6/2006	Ha et al.	68/196
2008/0142504	A1 *	6/2008	Byrne	219/452.11
2012/0125047	A1 *	5/2012	Kimura	63/3.1
2012/0206028	A1 *	8/2012	Holovnia	312/237
2012/0223485	A1 *	9/2012	Heo	277/500
2013/0269388	A1 *	10/2013	Roessler	63/15
2014/0083135	A1 *	3/2014	Martinez	63/15.8
2014/0130546	A1 *	5/2014	Bisserier	63/15.1
2014/0203519	A1 *	7/2014	Kumar Gaurav et al.	277/500
2015/0013385	A1 *	1/2015	Weems et al.	63/18
2015/0059403	A1 *	3/2015	Fogel	63/15.1

OTHER PUBLICATIONS

The one Ring by CutYa on DeviantArt, comment date Dec. 3, 2005, online, <http://cutya.deviantart.com/art/The-one-Ring-22304402>, [site visited Mar. 23, 2015 9:41:19 PM].*

Appliances Parts & Accessories Dishwasher Parts & Accessories, review date May 17, 2012, online, http://www.amazon.com/GE-WH08X10036-Gasket-for-Washer/dp/B004H3XUEE/ref=cm_cr_pr_product_top?ie=UTF8, [site visited Mar. 25, 2015 6:34:36 PM].*

Rubber Grommets—Septic Solutions, Inc., wayback date Aug. 13, 2011, online, <http://web.archive.org/web/20110813193237/http://www.septicsolutions.net/store/grommets.htm>, [site visited Mar. 25, 2015 5:45:49 PM].*

Wall Plate with Grommet Hole—DataPro, wayback date Oct. 18, 2011, online, <http://web.archive.org/web/20111018102219/http://dataprotech.com/products/wall-plate-with-grommet-hole.html>, [site visited Mar. 25, 2015 2:29:17 PM].*

* cited by examiner

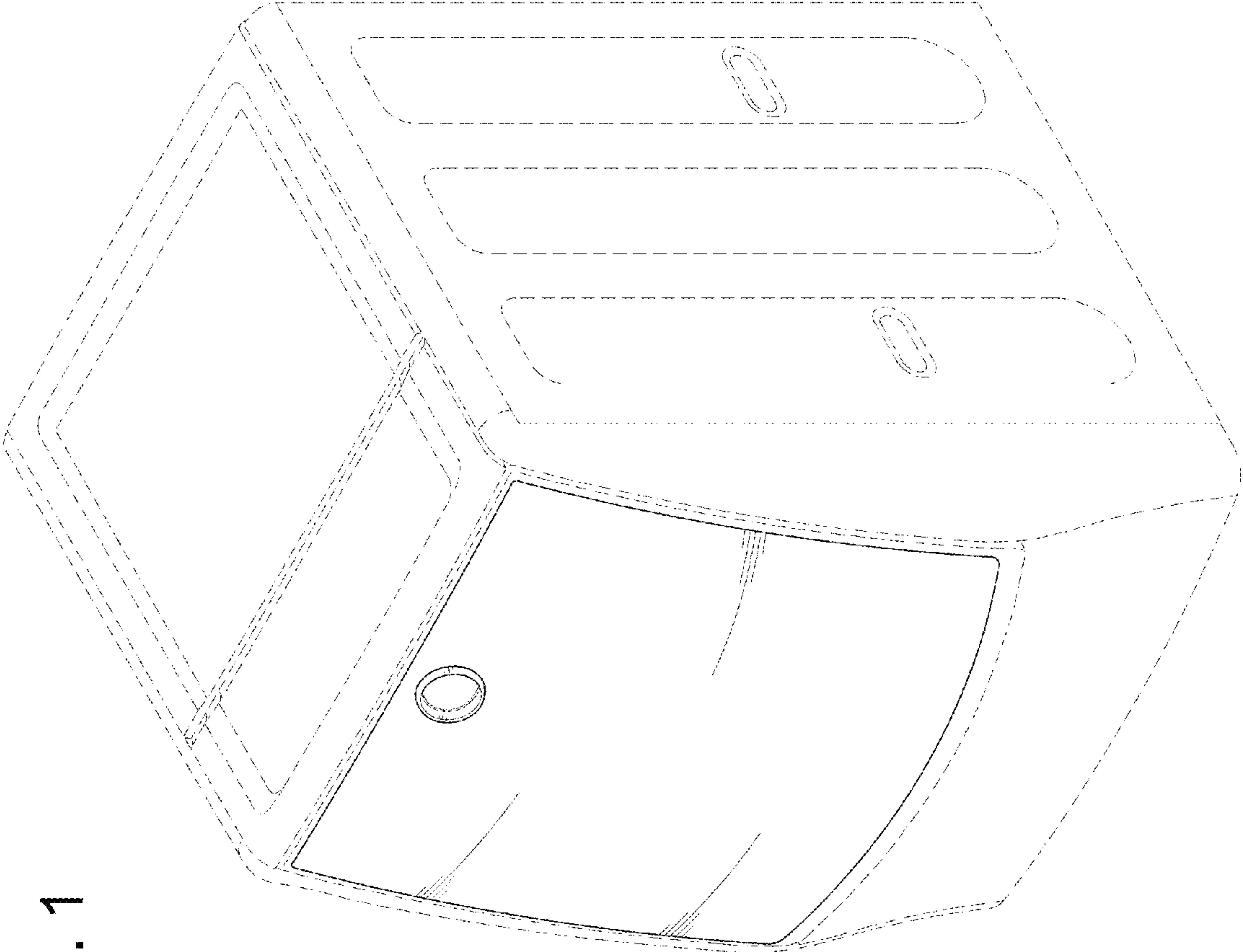


FIG. 1

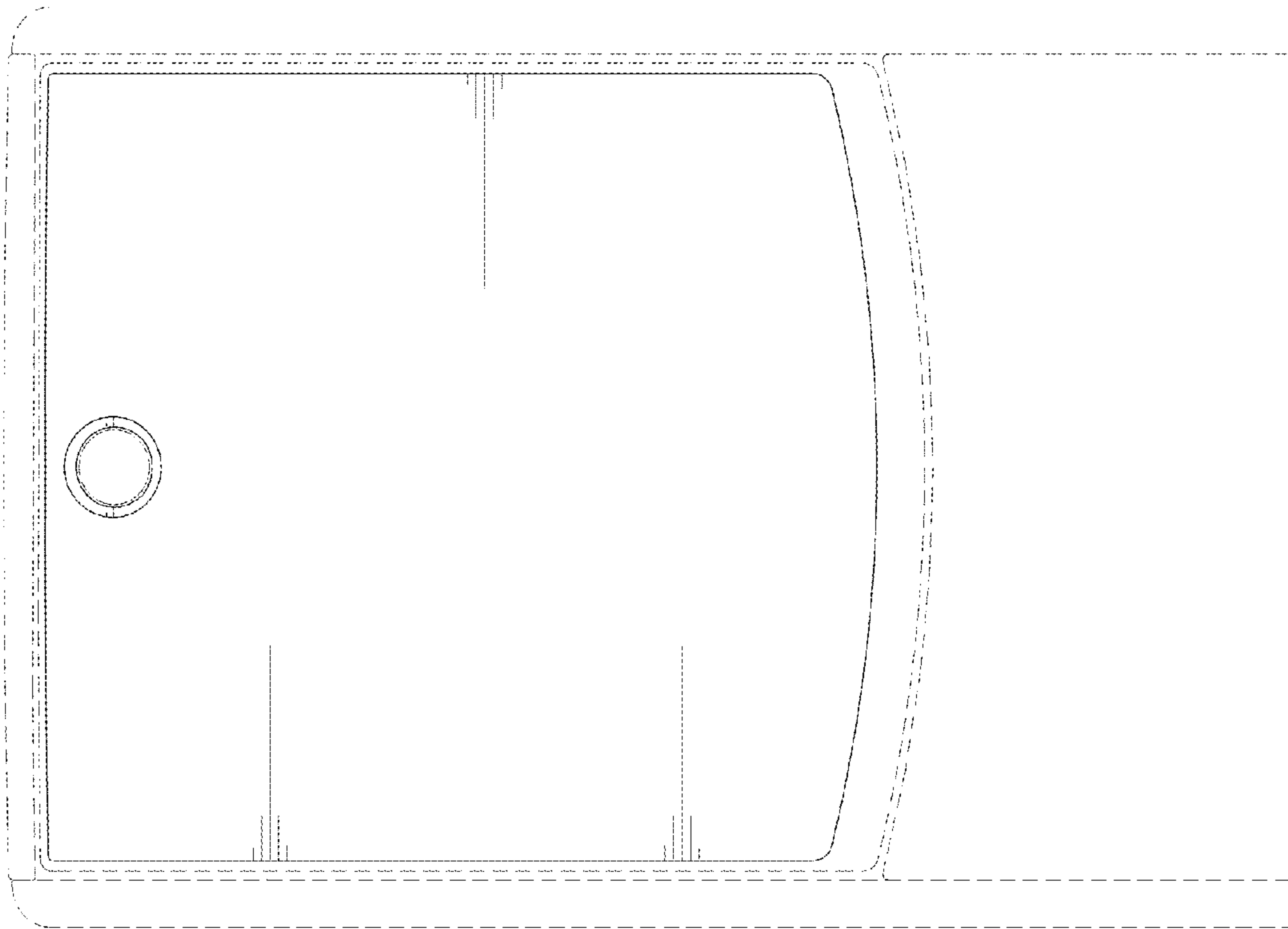


FIG. 2



FIG. 3

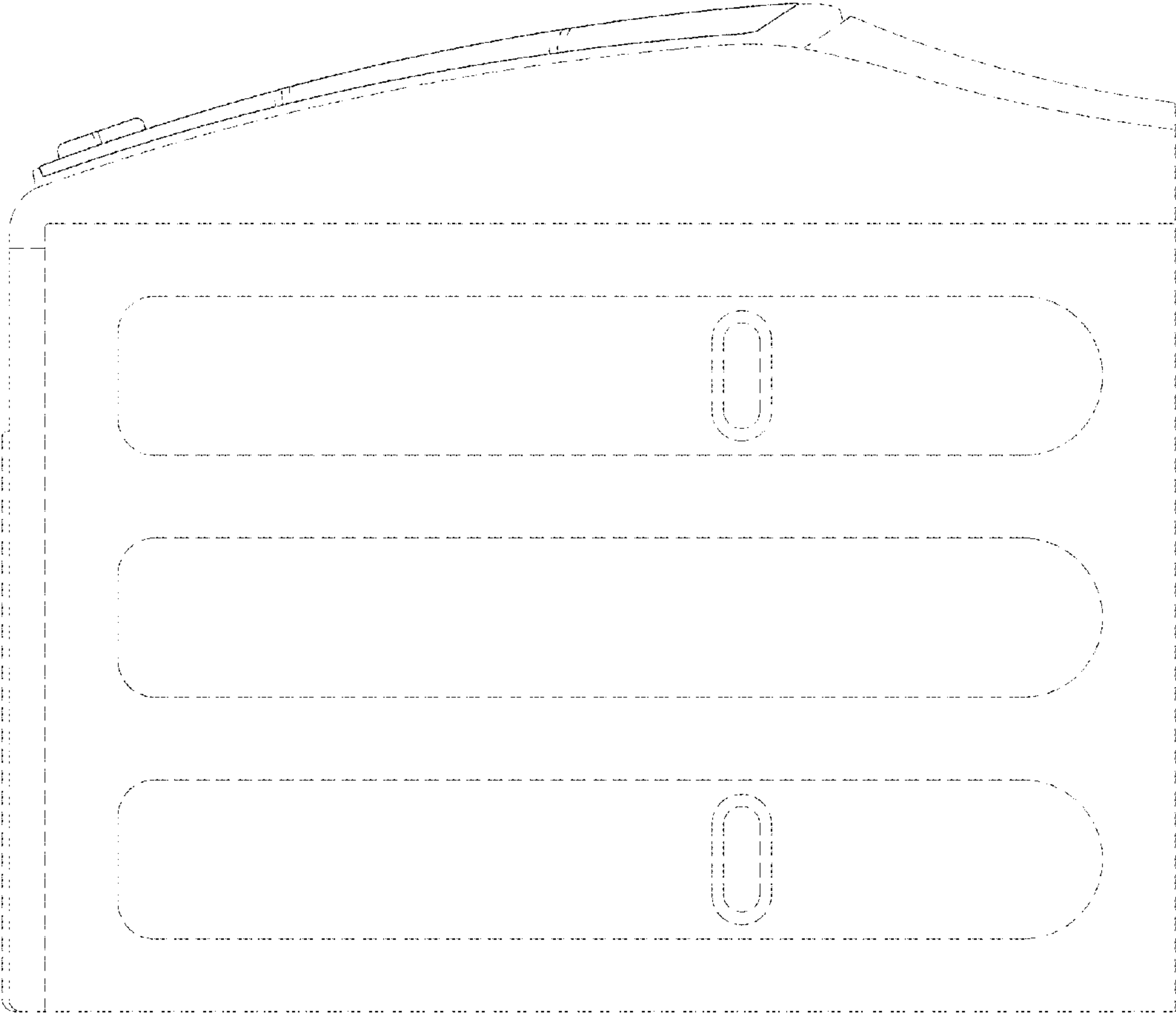


FIG. 4

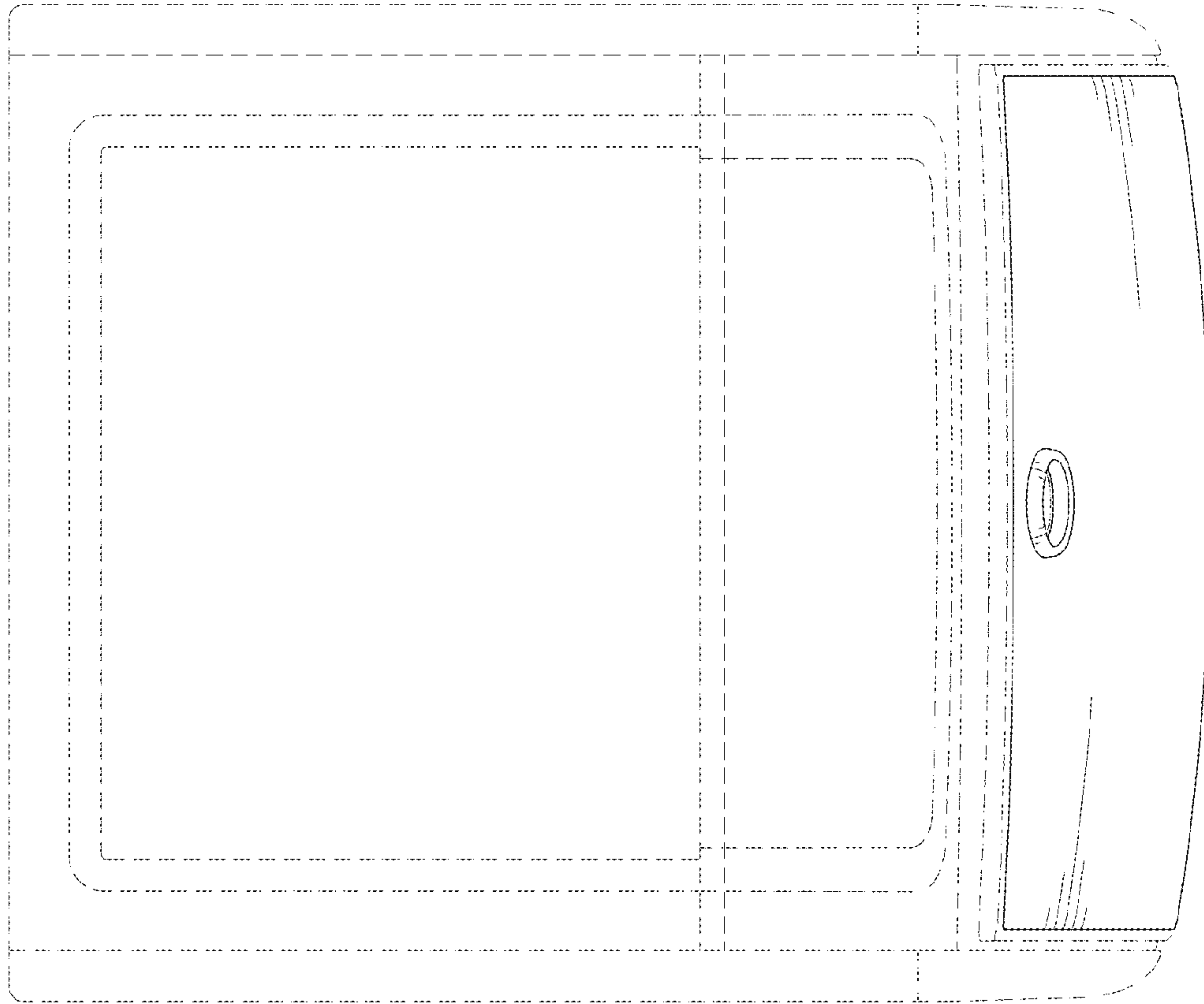


FIG. 5

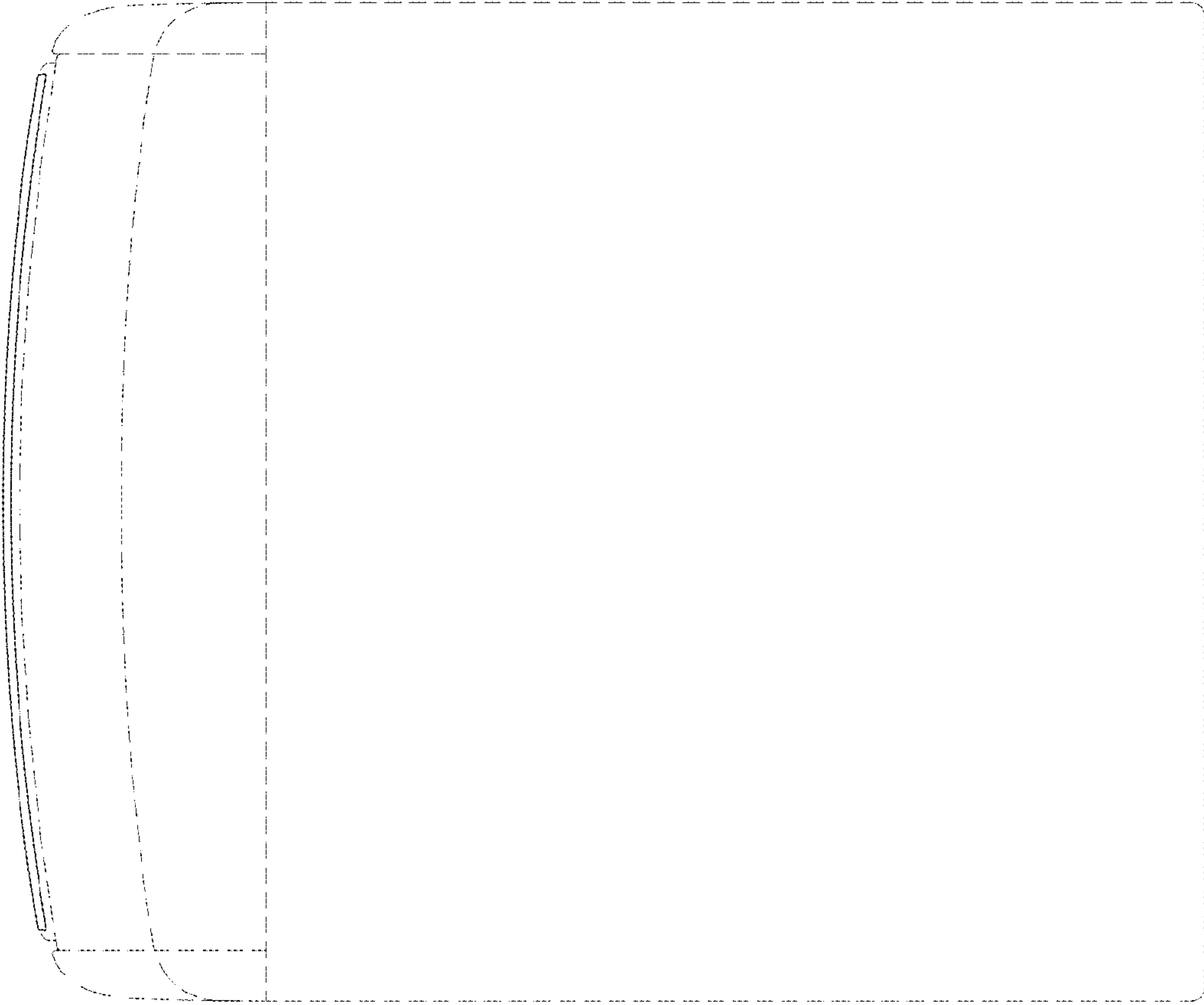


FIG. 6

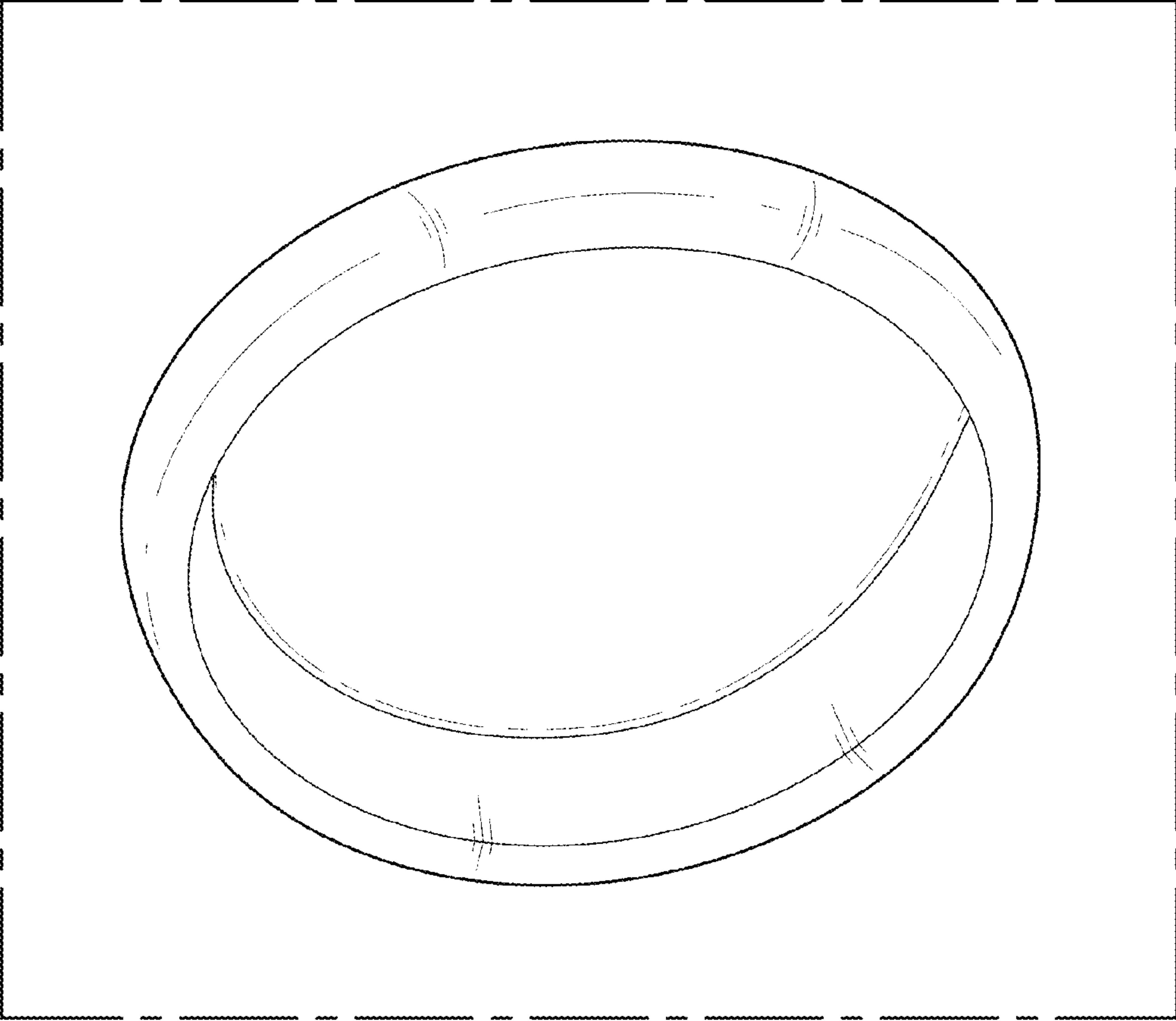


FIG. 7