



US00D755455S

(12) **United States Design Patent**  
**Roberson et al.**

(10) **Patent No.:** **US D755,455 S**  
(45) **Date of Patent:** **\*\* May 3, 2016**

(54) **DISHWASHER AND/OR COMPONENT(S)  
THEREOF**

(71) Applicant: **BSH Home Appliances Corporation**,  
Irvine, CA (US)

(72) Inventors: **Lindsay Roberson**, Durham, NC (US);  
**Thomas Ott**, Neubiberg (DE)

(73) Assignee: **BSH Home Appliances Corporation**,  
Irvine, CA (US)

(\*\*) Term: **15 Years**

(21) Appl. No.: **29/540,176**

(22) Filed: **Sep. 22, 2015**

**Related U.S. Application Data**

(62) Division of application No. 29/535,962, filed on Aug. 12, 2015, now Pat. No. Des. 745,756, which is a division of application No. 29/524,470, filed on Apr. 21, 2015, now Pat. No. Des. 744,176, which is a

(Continued)

(51) **LOC (10) Cl.** ..... **15-05**

(52) **U.S. Cl.**  
USPC ..... **D32/3**

(58) **Field of Classification Search**  
USPC ..... D32/1-3, 25, 28; D7/340, 348-350,  
D7/405; 312/31, 109, 228; 134/56 D, 57 D,  
134/58 D, 58 DL, 201  
CPC ..... A47L 15/4265; A47L 15/4259; A47L  
15/4257; A47L 15/4293; F25D 23/02; F25D  
23/021

See application file for complete search history.

(56) **References Cited**

**U.S. PATENT DOCUMENTS**

D191,224 S \* 8/1961 Fay ..... D32/2  
5,365,959 A \* 11/1994 Favaro ..... A47L 15/4293  
134/113

(Continued)

*Primary Examiner* — Robert Delehanty

(74) *Attorney, Agent, or Firm* — James E. Howard; Andre Pallapies

(57) **CLAIM**

The ornamental design for a dishwasher and/or component(s) thereof, as shown and described.

**DESCRIPTION**

FIG. 1 is a front perspective view of a dishwasher door handle, fascia and strip according to a second embodiment showing our new ornamental design;

FIG. 2 is a front view thereof;

FIG. 3 is a top view thereof;

FIG. 4 is a left side view thereof, with the right hand side view thereof being a mirror image thereof;

FIG. 5 is a perspective view thereof;

FIG. 6 is an enlarged cross section taken along lines 6-6 of FIG. 5;

FIG. 7 is a front perspective view of a dishwasher door handle, fascia and strip according to a third embodiment showing our new ornamental design;

FIG. 8 is a front view thereof;

FIG. 9 is a top view thereof;

FIG. 10 is a left side view thereof, with the right hand side view thereof being a mirror image thereof;

FIG. 11 is a perspective view thereof; and,

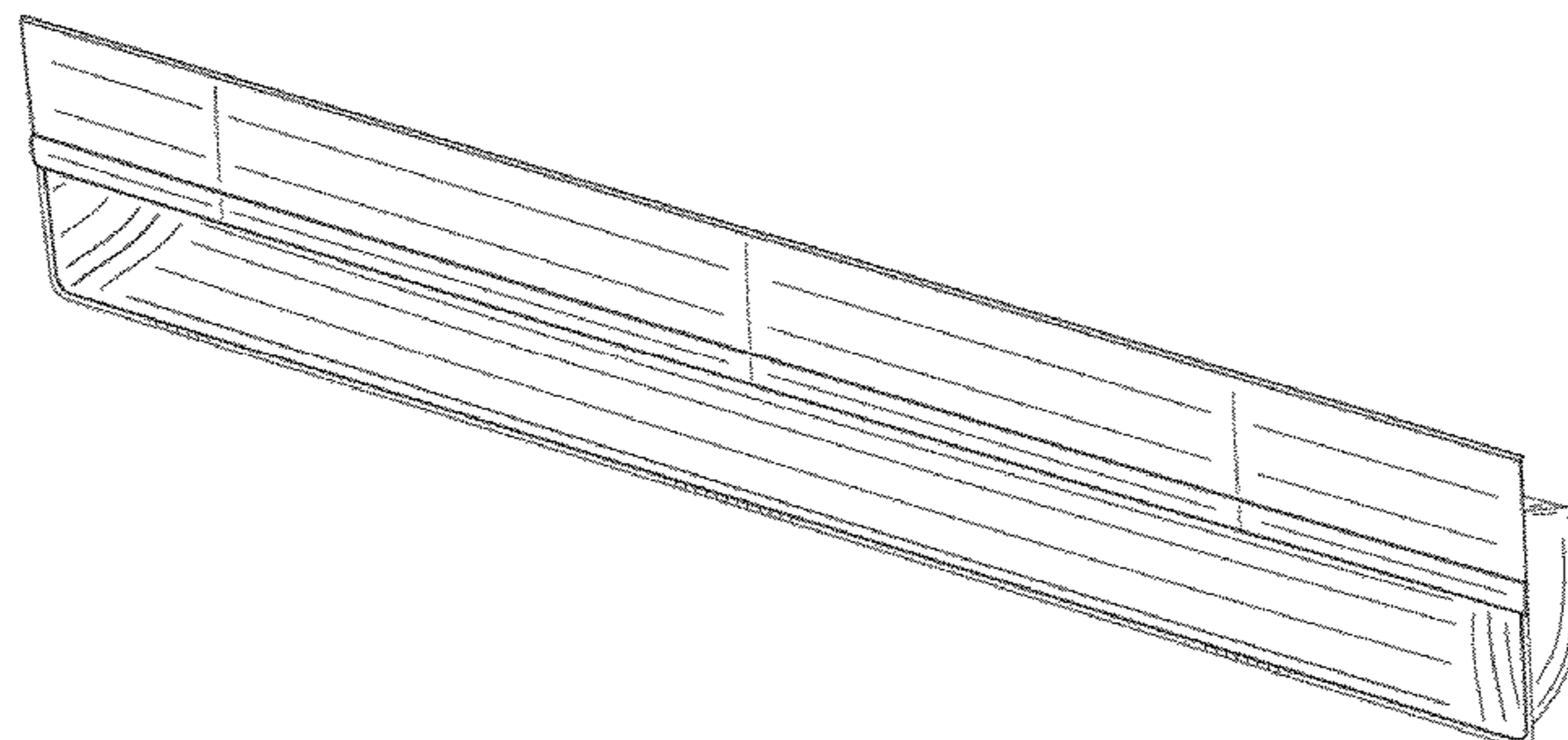
FIG. 12 is an enlarged cross section taken along lines 12-12 of FIG. 11.

The broken lines of the dishwasher, dishwasher compartment and/or components thereof show surrounding structure or environment and do not form part of the claimed design. Where included, the dotted lines represent the border between claimed and unclaimed subject matter and do not form a part of the claimed design.

The chain lines (dot-dash-dot) shown, for example, in FIGS. 2-3 represent printed borders of various touch/contact buttons (on/off, start, and/or cycle), the chain lines forming no part of the claimed design.

The bottom and rear parts of the dishwasher door, and the bottom, rear and top of the dishwasher compartment are unornamented and form no part of the claimed design.

**1 Claim, 6 Drawing Sheets**



**Related U.S. Application Data**

division of application No. 29/481,557, filed on Feb. 7, 2014, now Pat. No. Des. 732,758, which is a division of application No. 29/469,038, filed on Oct. 7, 2013, now Pat. No. Des. 706,502, which is a division of application No. 29/461,670, filed on Jul. 26, 2013, now Pat. No. Des. 698,507, which is a division of application No. 29/434,110, filed on Oct. 10, 2012, now Pat. No. Des. 693,070, which is a division of application No. 29/425,993, filed on Jun. 29, 2012, now Pat. No. Des. 673,742, which is a division of application No. 29/418,059, filed on Apr. 12, 2012, now Pat. No. Des. 668,404.

(56)

**References Cited**

U.S. PATENT DOCUMENTS

D493,582 S \* 7/2004 Ott ..... D32/3  
 D493,583 S \* 7/2004 Kaczmarek ..... D32/3  
 D501,963 S \* 2/2005 Kaczmarek ..... D32/3

D519,689 S \* 4/2006 Ott ..... D32/3  
 D544,657 S \* 6/2007 Jung ..... D32/2  
 D627,938 S \* 11/2010 Kim ..... D32/2  
 D658,828 S \* 5/2012 Kim ..... D32/2  
 D665,956 S \* 8/2012 Eng ..... D32/2  
 D665,957 S \* 8/2012 Eng ..... D32/2  
 D668,402 S \* 10/2012 Eng ..... D32/3  
 D668,403 S \* 10/2012 Eng ..... D32/3  
 D668,404 S \* 10/2012 Eng ..... D32/3  
 D670,457 S \* 11/2012 Eng ..... D32/3  
 D672,101 S \* 12/2012 Eng ..... D32/3  
 D673,742 S \* 1/2013 Eng ..... D32/2  
 D684,734 S \* 6/2013 Eng ..... D32/3  
 D684,735 S \* 6/2013 Eng ..... D32/3  
 D684,736 S \* 6/2013 Eng ..... D32/3  
 D685,149 S \* 6/2013 Eng ..... D32/3  
 D689,248 S \* 9/2013 Eng ..... D32/3  
 D692,628 S \* 10/2013 Eng ..... D32/2  
 D692,629 S \* 10/2013 Eng ..... D32/3  
 D693,069 S \* 11/2013 Groleben ..... D32/3  
 D693,070 S \* 11/2013 Eng ..... D32/3

\* cited by examiner

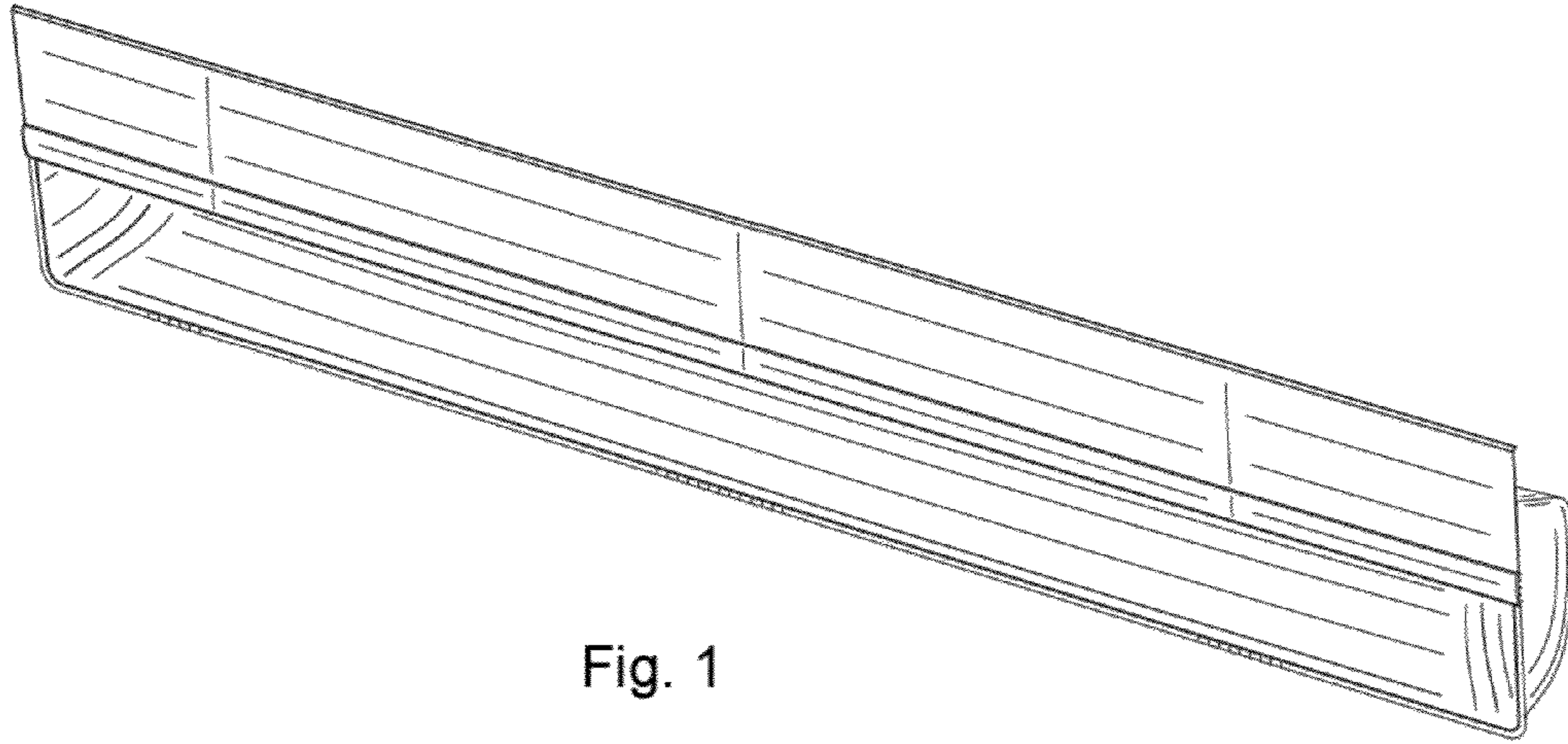


Fig. 1

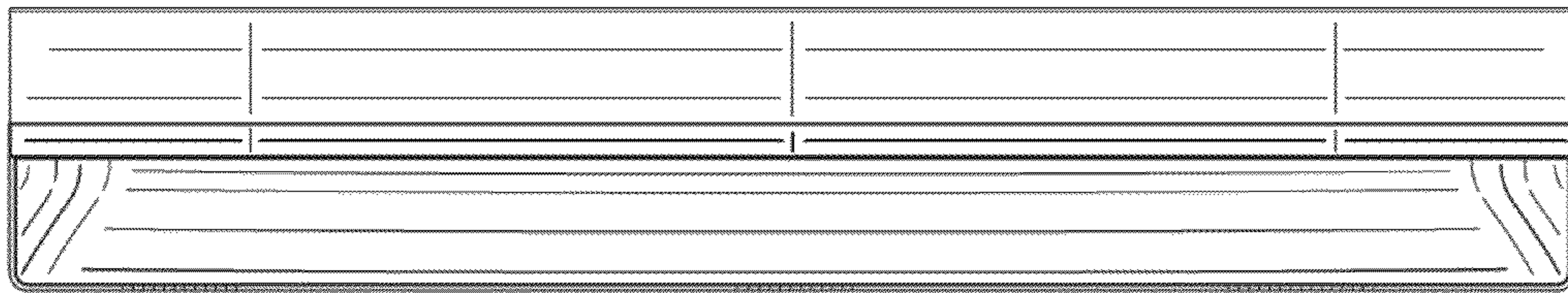


Fig. 2

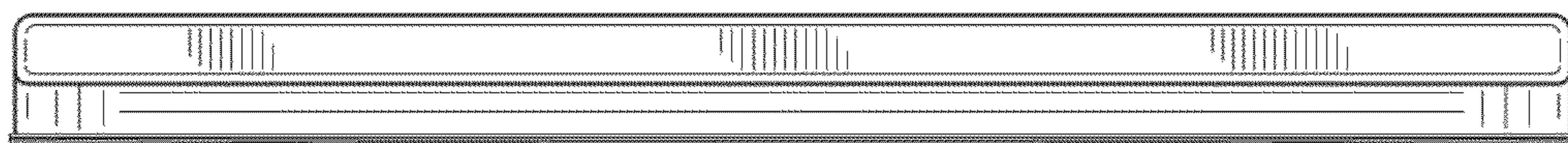


Fig. 3

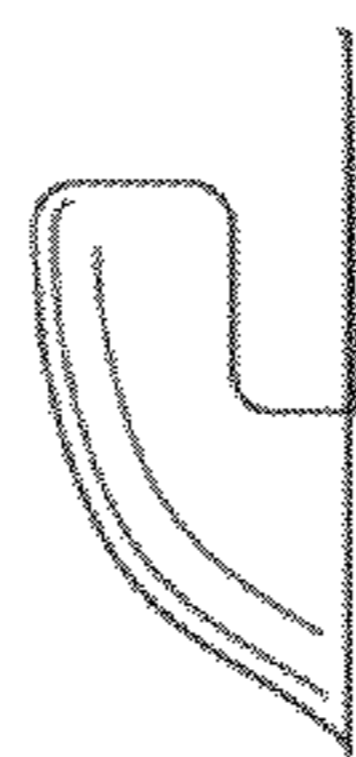


Fig. 4

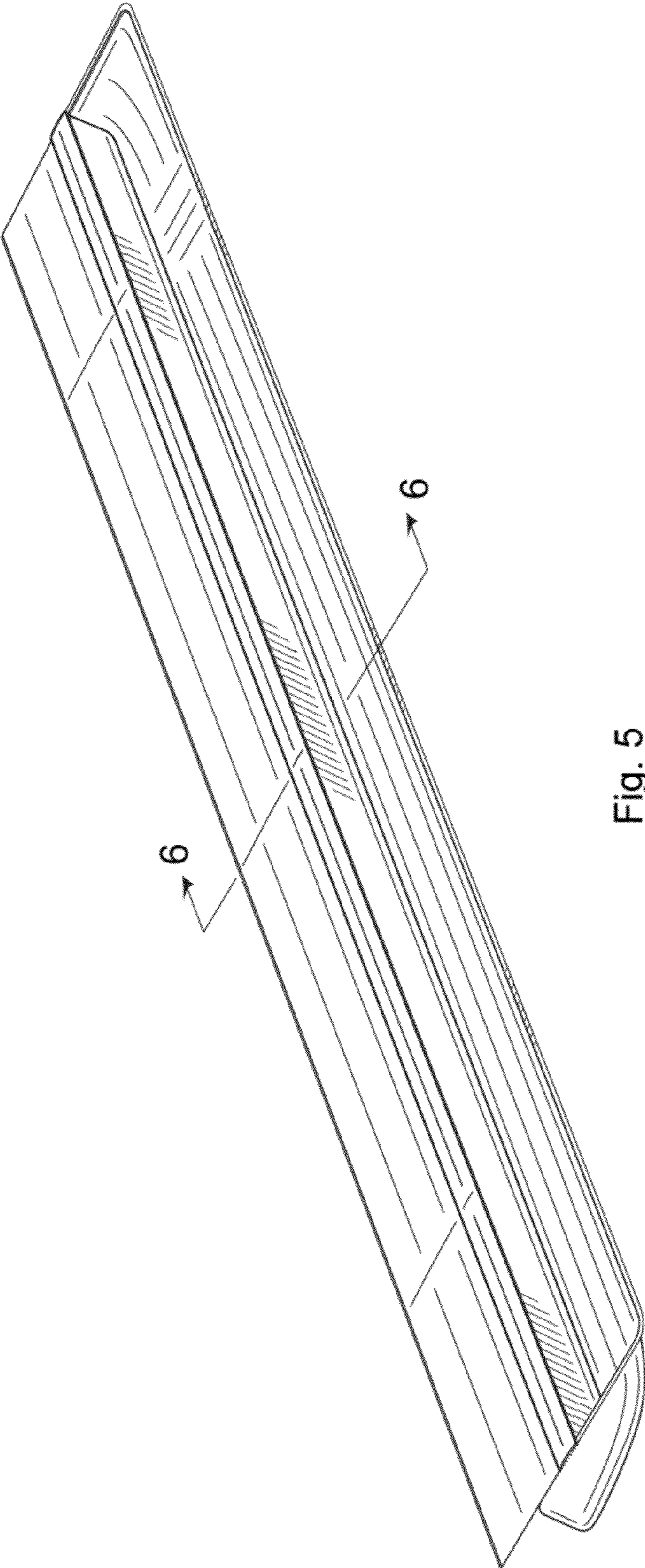


Fig. 5

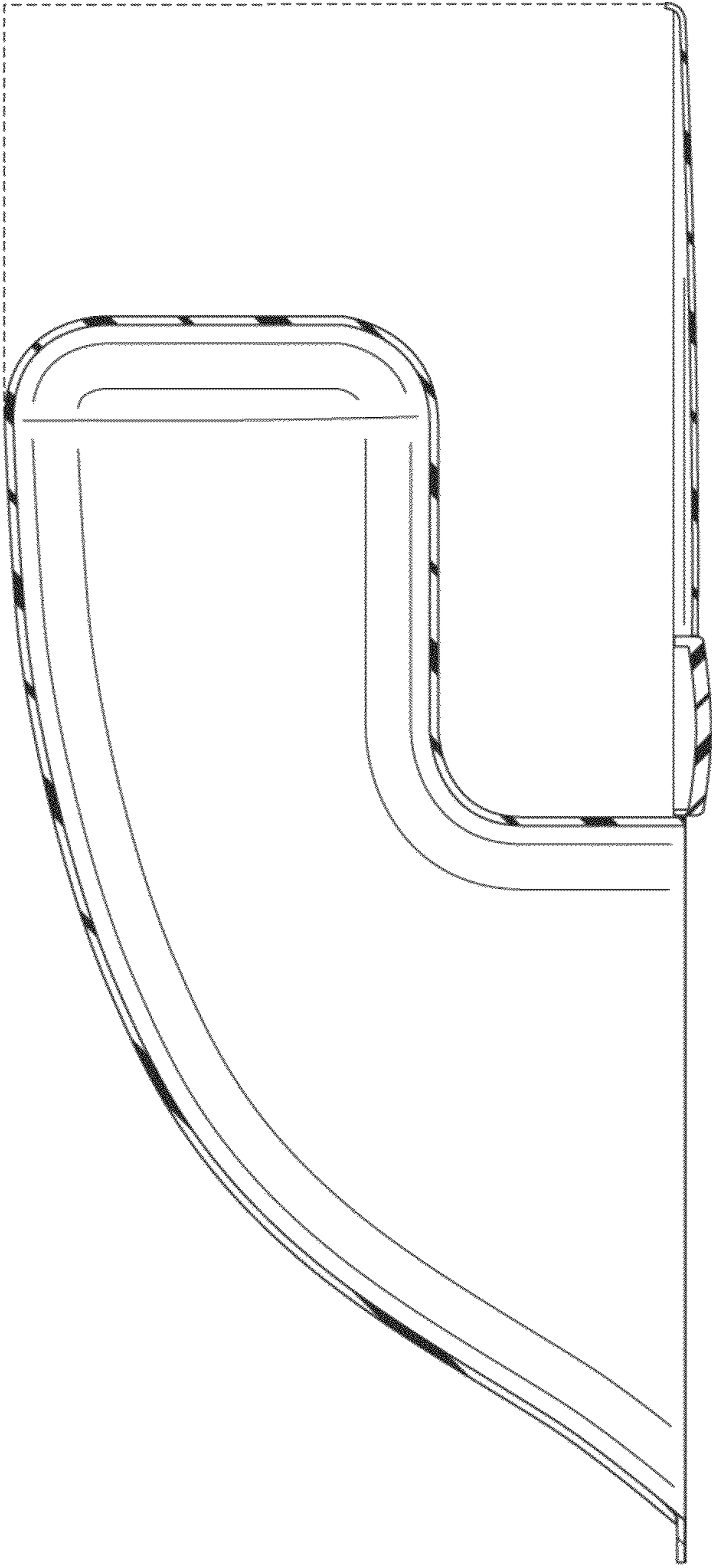


Fig. 6

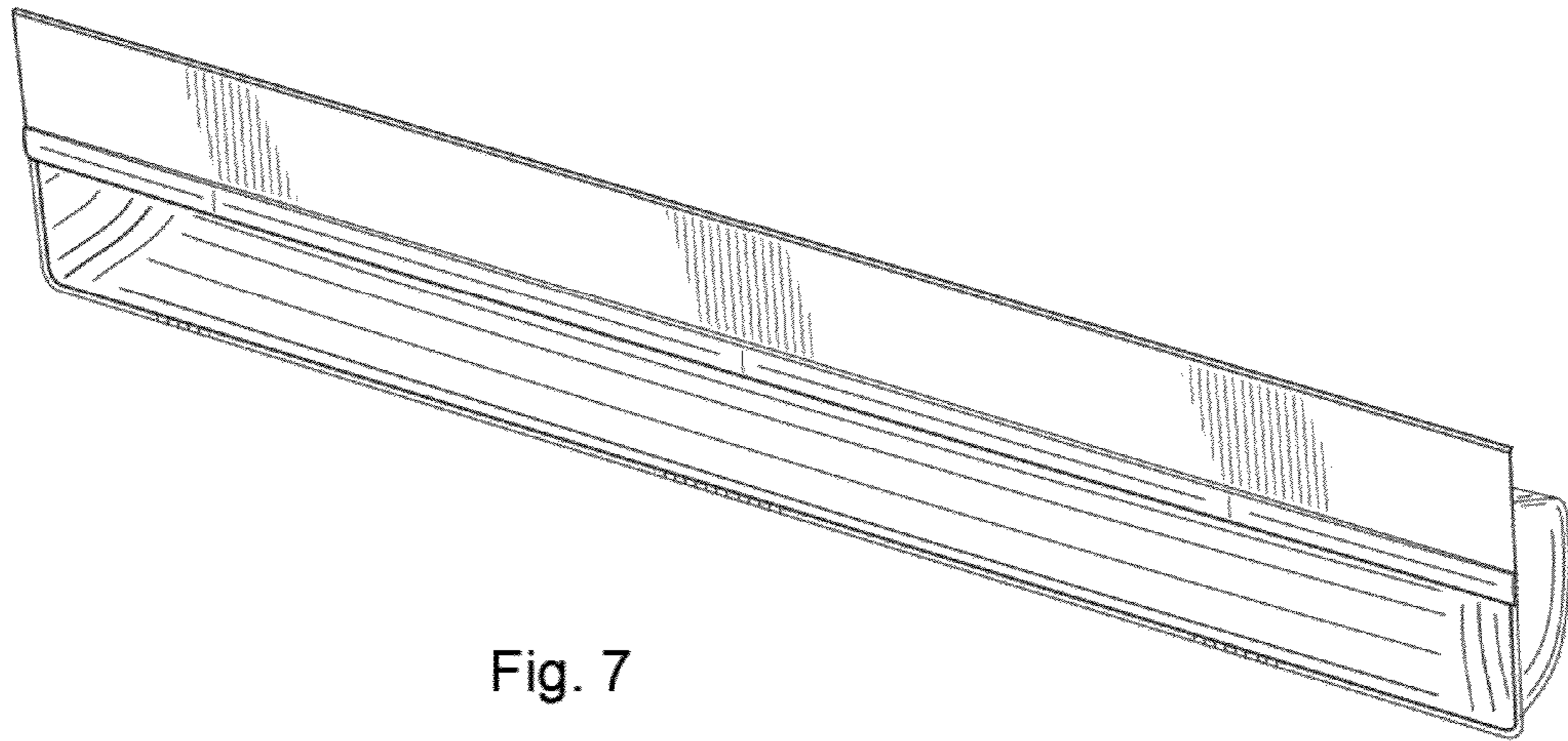


Fig. 7

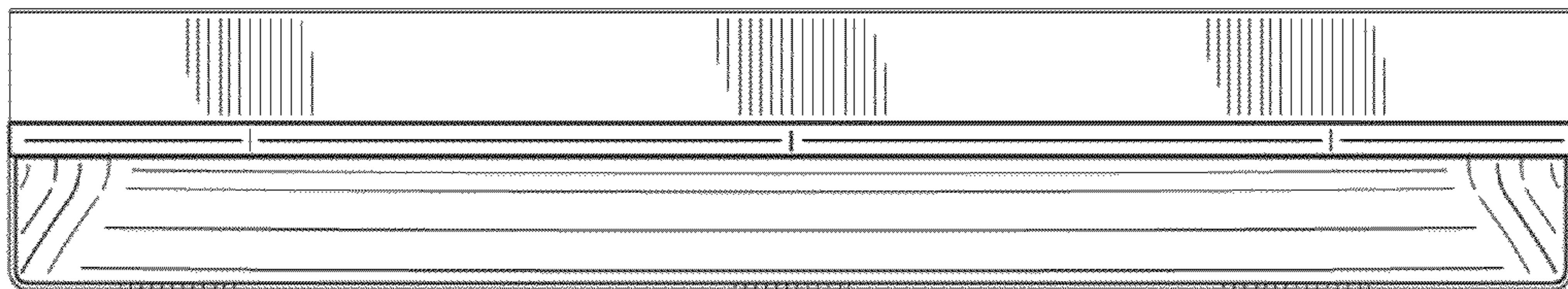


Fig. 8

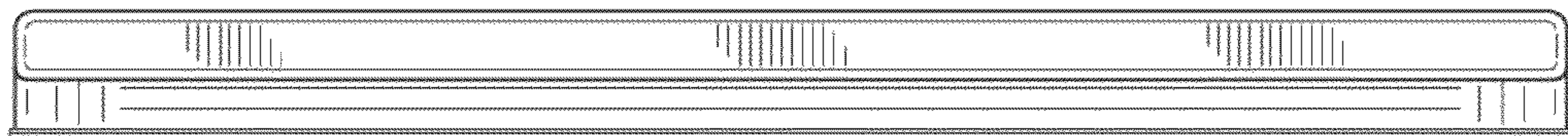


Fig. 9

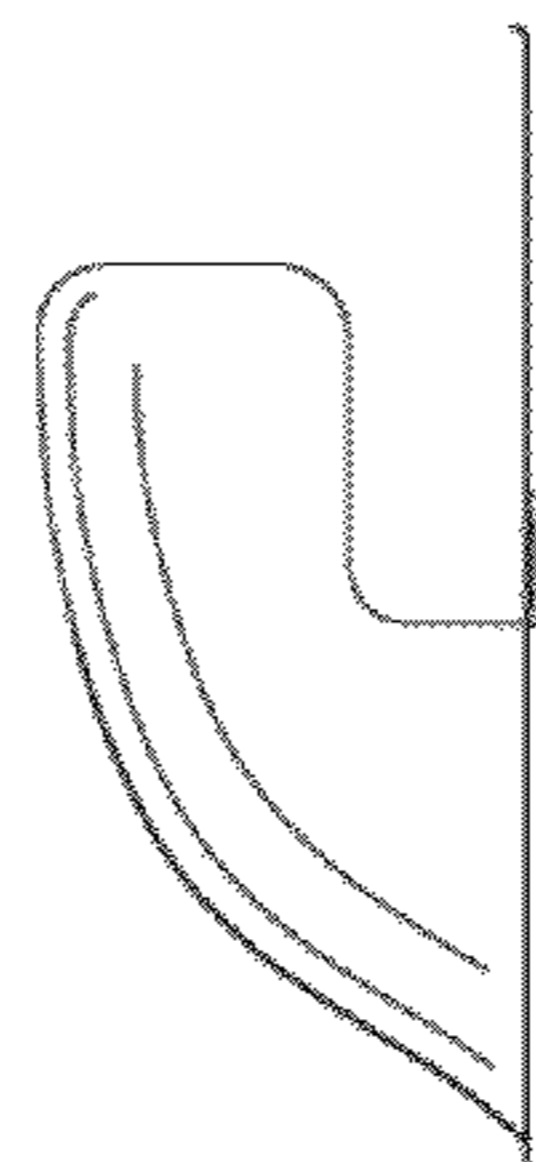


Fig. 10

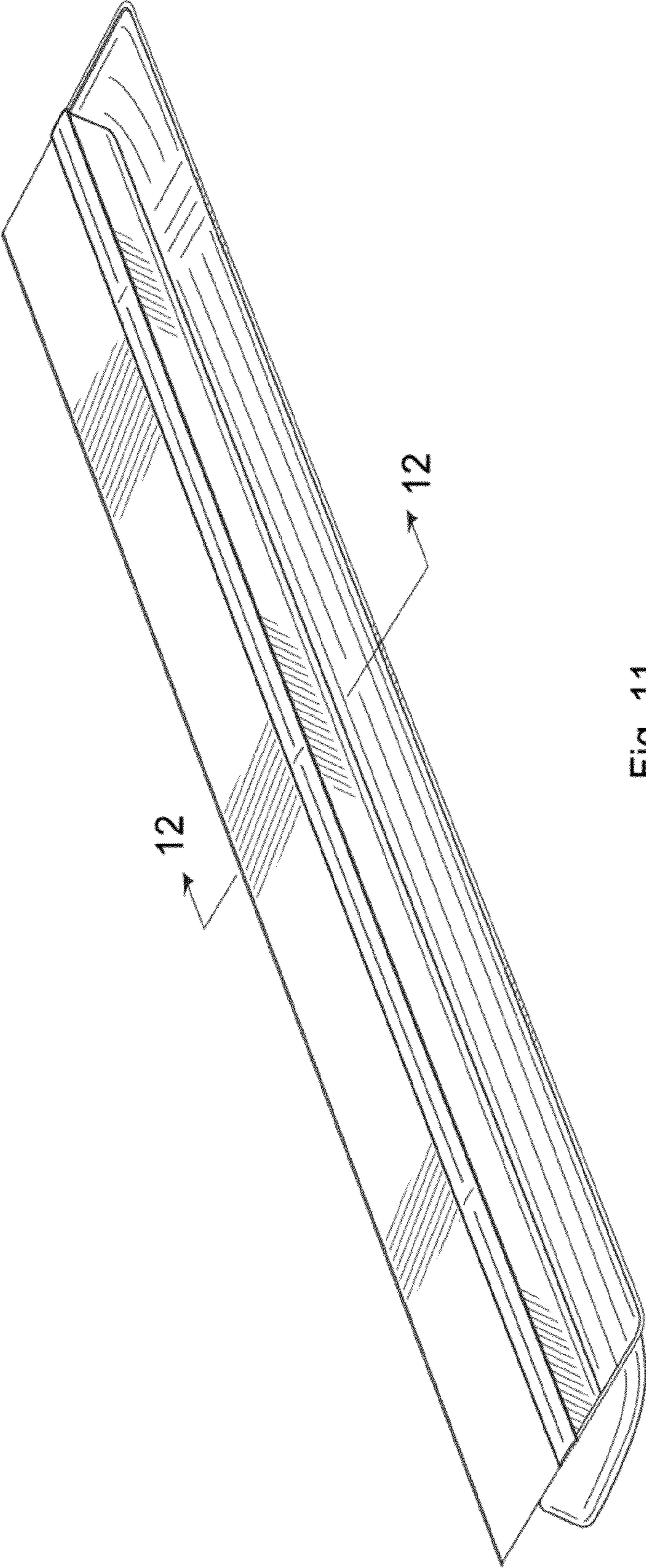


Fig. 11

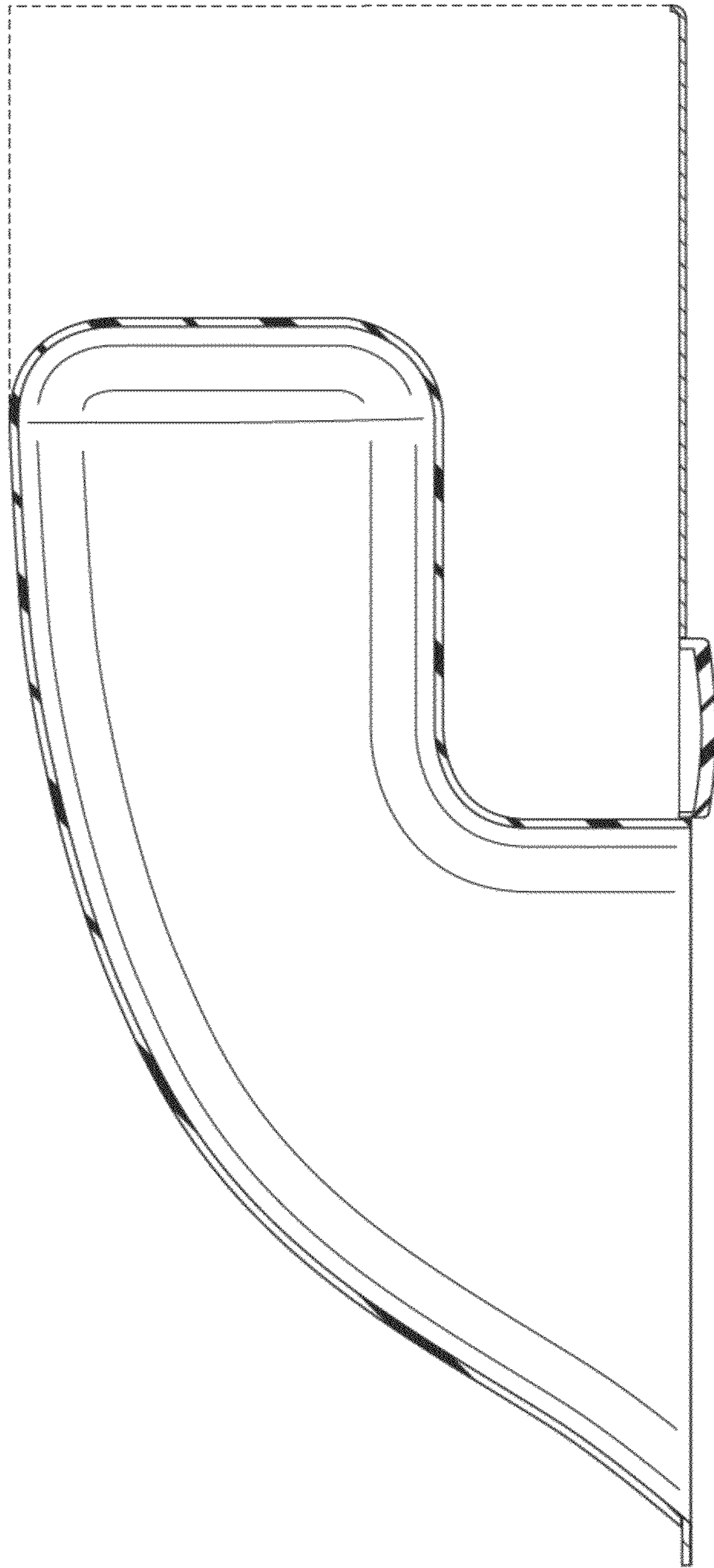


Fig. 12