



US00D755454S

(12) **United States Design Patent**  
**Roberson et al.**

(10) **Patent No.:** **US D755,454 S**  
(45) **Date of Patent:** **\*\* May 3, 2016**

(54) **DISHWASHER AND/OR COMPONENT(S) THEREOF**

(71) Applicant: **BSH Home Appliances Corporation**, Irvine, CA (US)

(72) Inventors: **Lindsay Roberson**, Durham, NC (US); **Thomas Ott**, Neubiberg (DE)

(73) Assignee: **BSH Home Appliances Corporation**, Irvine, CA (US)

(\*\*) Term: **15 Years**

(21) Appl. No.: **29/540,034**

(22) Filed: **Sep. 21, 2015**

**Related U.S. Application Data**

(62) Division of application No. 29/535,805, filed on Aug. 11, 2015, which is a division of application No. 29/524,047, filed on Apr. 16, 2015, now Pat. No. Des. 743,119, which is a division of application No. 29/481,558, filed on Feb. 7, 2014, now Pat. No. Des. 732,759, which is a division of application No. 29/470,027, filed on Oct. 17, 2013, now Pat. No. Des. 706,503, which is a division of application No. 29/424,377, filed on Jun. 12, 2012, now Pat. No. Des. 696,476, which is a division of application No. 29/403,658, filed on Oct. 10, 2011, now Pat. No. Des. 668,402.

(51) **LOC (10) Cl.** ..... **15-05**

(52) **U.S. Cl.**  
USPC ..... **D32/3**

(58) **Field of Classification Search**  
USPC ..... D32/1-3, 25, 28; D7/340, 348-350, D7/405; 312/31, 109, 228; 134/56 D, 57 D, 134/58 D, 58 DL, 201  
CPC ..... A47L 15/4265; A47L 15/4259; A47L 15/4257; A47L 15/4293; F25D 23/02; F25D 23/021

See application file for complete search history.

(56) **References Cited**

U.S. PATENT DOCUMENTS

|           |    |   |         |          |       |                         |
|-----------|----|---|---------|----------|-------|-------------------------|
| D385,070  | S  | * | 10/1997 | Hughes   | ..... | D32/3                   |
| D424,257  | S  | * | 5/2000  | Umeda    | ..... | D32/2                   |
| D539,992  | S  | * | 4/2007  | Yamamoto | ..... | D32/2                   |
| 7,216,944 | B2 | * | 5/2007  | Oyler    | ..... | A47L 15/4265<br>312/109 |
| D544,657  | S  | * | 6/2007  | Jung     | ..... | D32/2                   |
| D577,869  | S  | * | 9/2008  | Tartan   | ..... | D32/2                   |
| D613,467  | S  | * | 4/2010  | Park     | ..... | D32/6                   |
| D627,937  | S  | * | 11/2010 | Kim      | ..... | D32/2                   |
| D665,957  | S  | * | 8/2012  | Eng      | ..... | D32/2                   |
| D668,402  | S  | * | 10/2012 | Eng      | ..... | D32/3                   |

(Continued)

*Primary Examiner* — Robert Delehanty

(74) *Attorney, Agent, or Firm* — James E. Howard; Andre Pallapies

(57) **CLAIM**

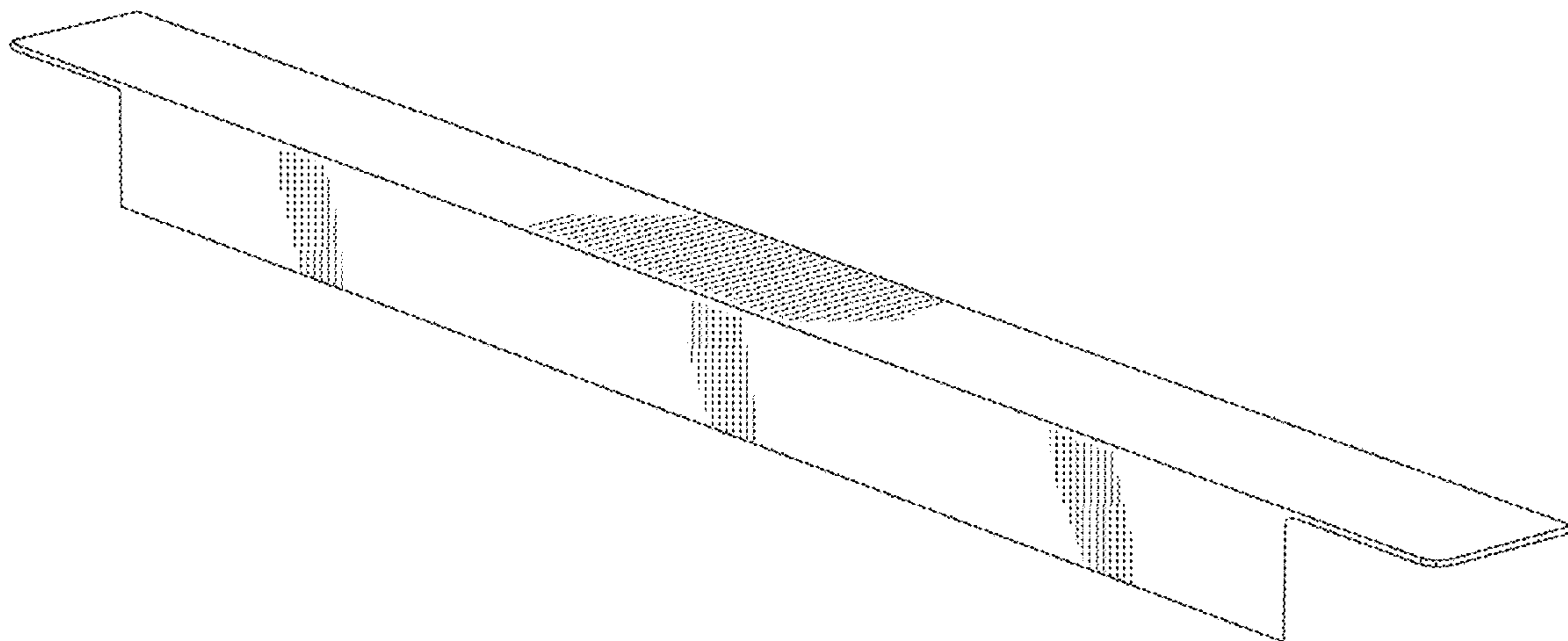
The ornamental design for a dishwasher and/or component(s) thereof, as shown and described.

**DESCRIPTION**

FIG. 1 is a front perspective view, from the top, of a top cap for a dishwasher door as according our new ornamental design; FIG. 2 is a top view thereof; FIG. 3 is a front view thereof; FIG. 4 is a left side view thereof, with the right hand side view thereof being a mirror image thereof; and, FIG. 5 is a reverse perspective view thereof, taken from the bottom.

The broken lines of the dishwasher, dishwasher compartment and/or components thereof show surrounding structure or environment and do not form part of the claimed design. The bottom and rear parts of the dishwasher door, and the bottom, rear and top of the dishwasher compartment are unornamented and form no part of the claimed design.

**1 Claim, 2 Drawing Sheets**



(56)

**References Cited**

U.S. PATENT DOCUMENTS

|              |         |     |       |       |                   |         |          |       |                         |
|--------------|---------|-----|-------|-------|-------------------|---------|----------|-------|-------------------------|
| D668,403 S * | 10/2012 | Eng | ..... | D32/3 | D684,736 S *      | 6/2013  | Eng      | ..... | D32/3                   |
| D668,404 S * | 10/2012 | Eng | ..... | D32/3 | D689,248 S *      | 9/2013  | Eng      | ..... | D32/3                   |
| D670,457 S * | 11/2012 | Eng | ..... | D32/3 | D692,628 S *      | 10/2013 | Eng      | ..... | D32/2                   |
| D673,742 S * | 1/2013  | Eng | ..... | D32/2 | D693,070 S *      | 11/2013 | Eng      | ..... | D32/3                   |
| D684,734 S * | 6/2013  | Eng | ..... | D32/3 | D706,503 S *      | 6/2014  | Eng      | ..... | D32/3                   |
| D684,735 S * | 6/2013  | Eng | ..... | D32/3 | D745,755 S *      | 12/2015 | Roberson | ..... | D32/3                   |
|              |         |     |       |       | 2003/0030288 A1 * | 2/2003  | Miller   | ..... | A47L 15/4259<br>292/303 |

\* cited by examiner

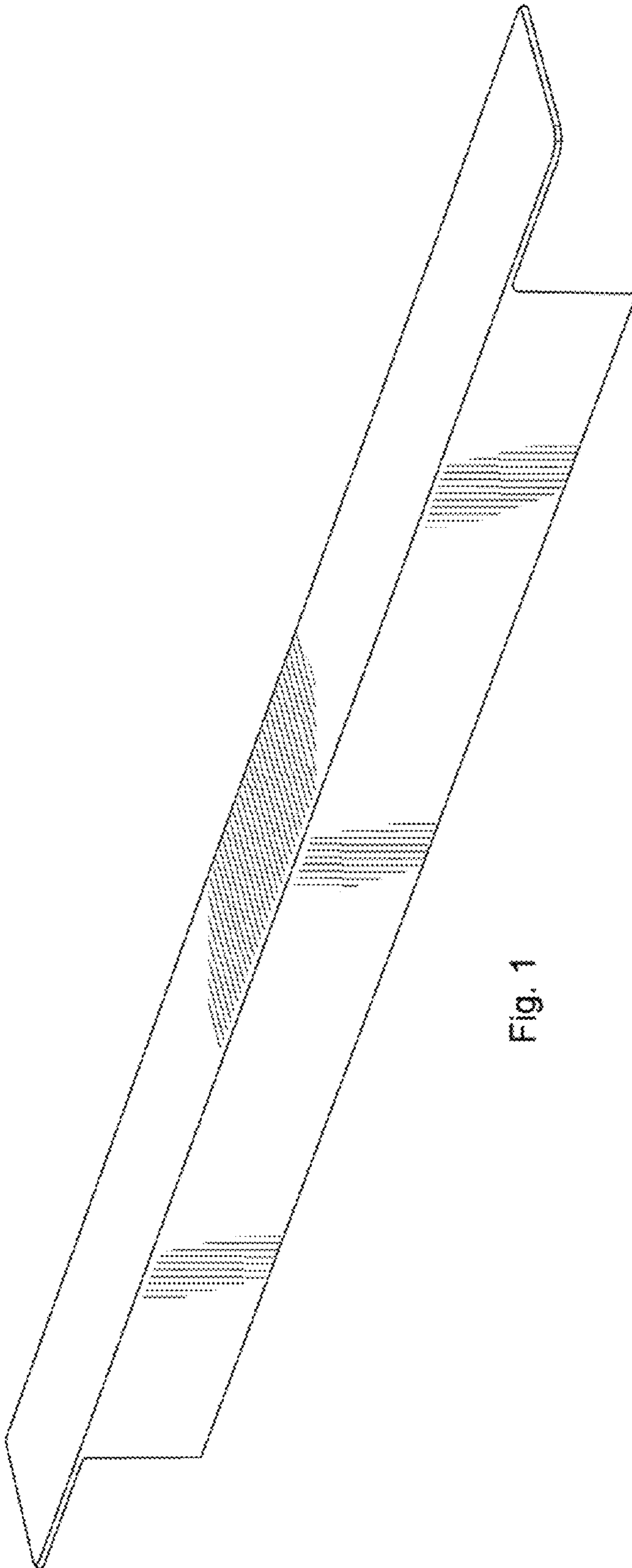


Fig. 1

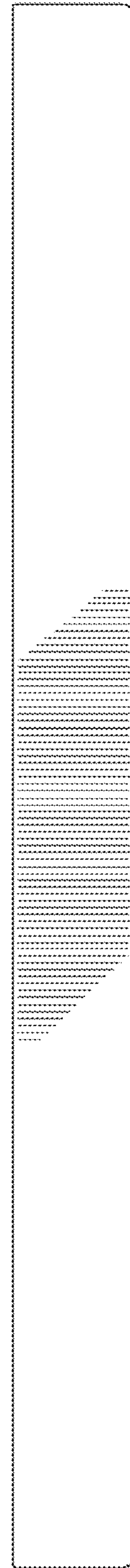


Fig. 2

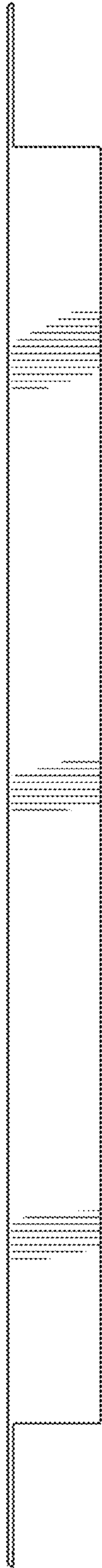


Fig. 3

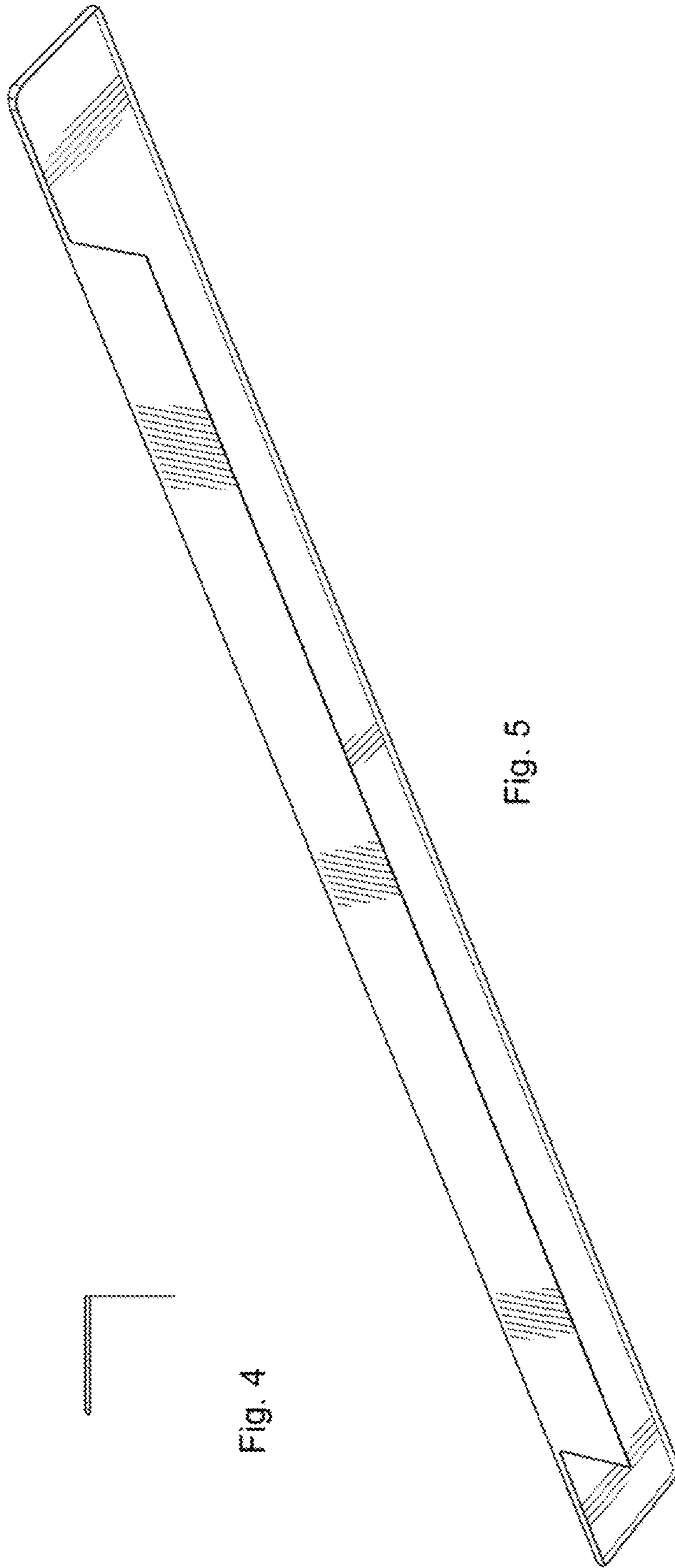


Fig. 4

Fig. 5