

US00D755452S

(12) **United States Design Patent**
Lai

(10) **Patent No.:** **US D755,452 S**

(45) **Date of Patent:** **** May 3, 2016**

- (54) **PET TOY**
- (71) Applicant: **Chia-Sheng Lai**, Taipei (TW)
- (72) Inventor: **Chia-Sheng Lai**, Taipei (TW)
- (**) Term: **14 Years**
- (21) Appl. No.: **29/513,264**
- (22) Filed: **Dec. 29, 2014**
- (51) **LOC (10) Cl.** **30-99**
- (52) **U.S. Cl.**
USPC **D30/160**
- (58) **Field of Classification Search**
USPC D30/160; D21/405-408, 475-476, 713;
D24/194-195; D1/127-129, 199
CPC . A01K 15/025; A01K 15/026; A01K 15/027;
A61J 17/00; A63H 33/00
See application file for complete search history.

- D513,816 S * 1/2006 Crane D30/160
- D619,663 S * 7/2010 Quinn D21/713
- D620,207 S * 7/2010 Byrne D30/160
- D661,850 S * 6/2012 Byrne D30/160
- 8,393,300 B2 * 3/2013 Markham A01K 15/026
119/709
- 8,701,598 B1 * 4/2014 Crabtree A01K 15/026
119/709
- D710,554 S * 8/2014 Byrne D1/199

* cited by examiner

Primary Examiner — Cathy Anne MacCormac
(74) *Attorney, Agent, or Firm* — WPAT, P.C., Intellectual Property Attorneys; Anthony King

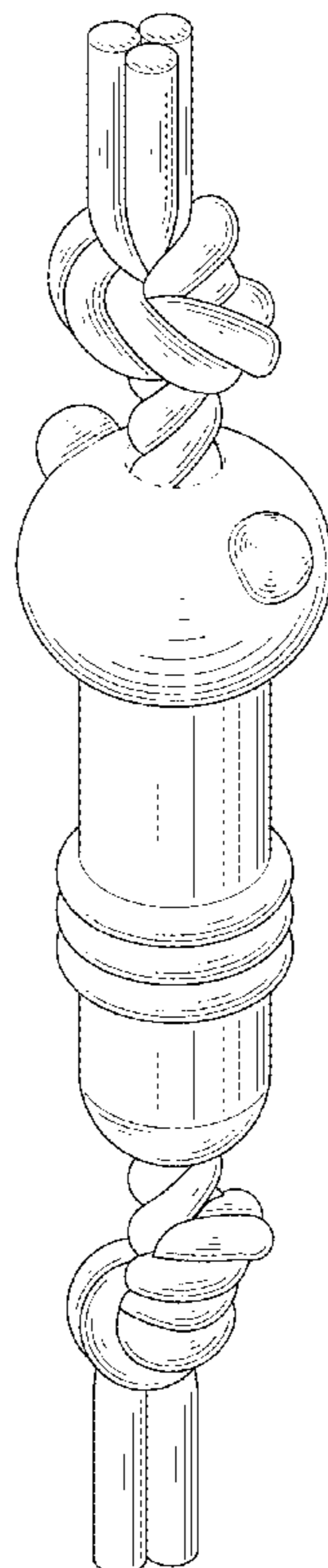
(57) **CLAIM**
The ornamental design for a pet toy, as shown and described.

DESCRIPTION

FIG. 1 is a perspective view of a pet toy showing my new design;
FIG. 2 is a front view thereof;
FIG. 3 is a rear view thereof;
FIG. 4 is a left side view thereof;
FIG. 5 is a right side view thereof;
FIG. 6 is a top view thereof; and,
FIG. 7 is a bottom view thereof.
The broken lines depict environmental subject matter, are for illustration only and form no part of the claimed design.

1 Claim, 7 Drawing Sheets

- (56) **References Cited**
U.S. PATENT DOCUMENTS
3,830,202 A * 8/1974 Garrison A01K 15/025
119/709
D346,048 S * 4/1994 Jandebour D1/199
D378,450 S * 3/1997 O'Rourke D30/160
D382,382 S * 8/1997 Weinacker, Jr. D30/160
6,186,096 B1 * 2/2001 Miller A01K 15/026
119/709
6,601,539 B1 * 8/2003 Snook A01K 15/026
119/710



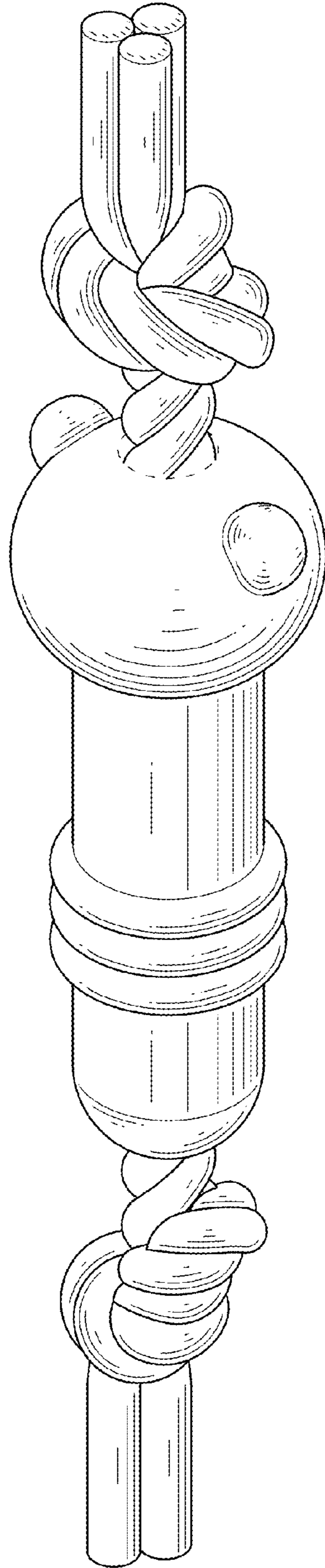


FIG. 1

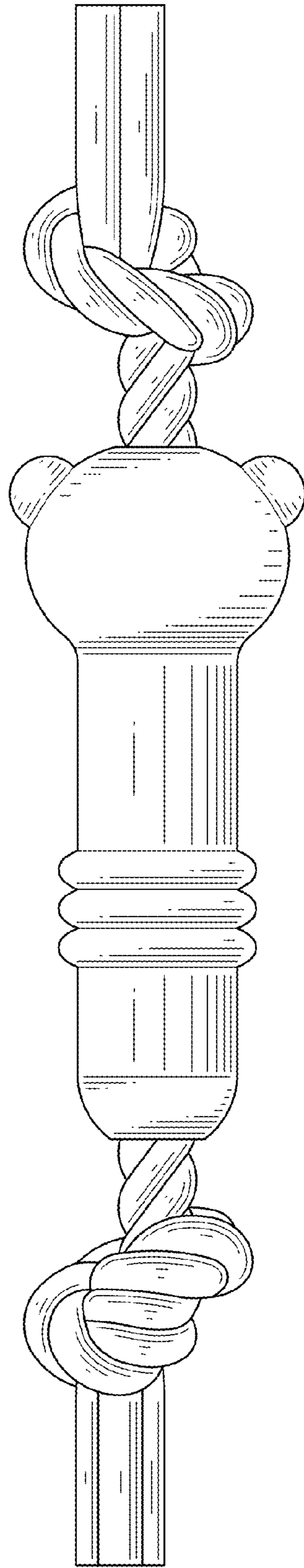


FIG.2

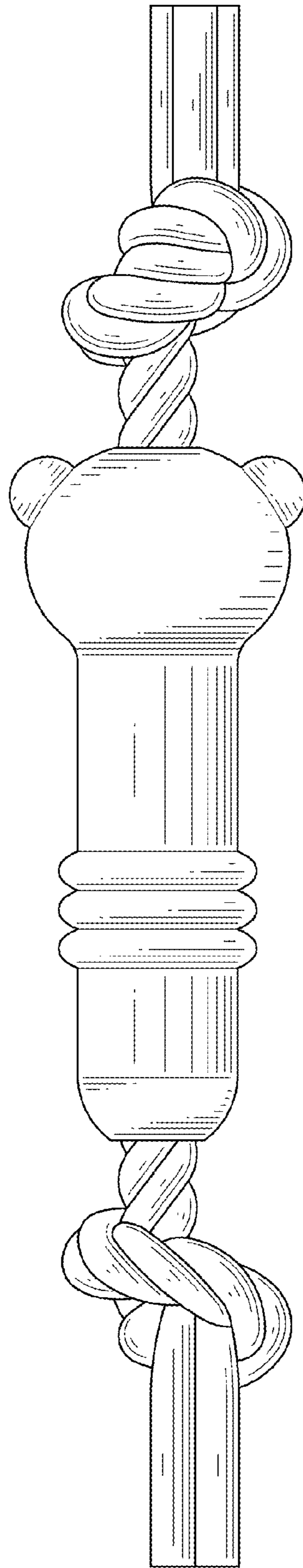


FIG.3

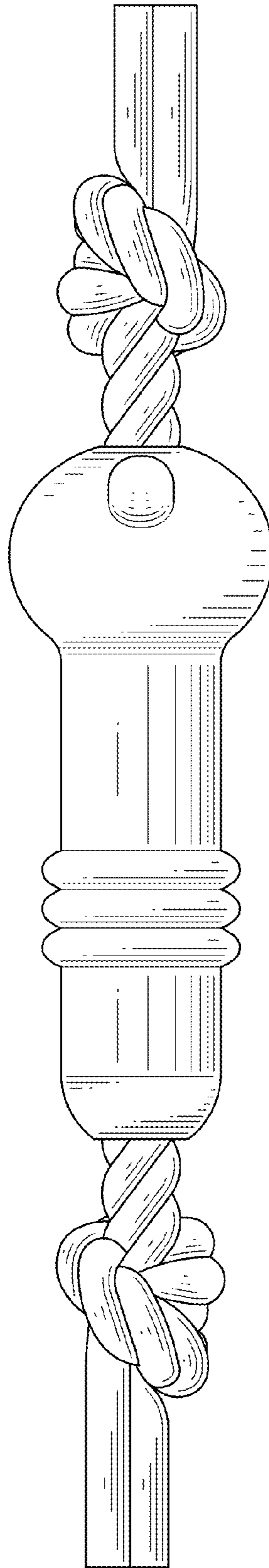


FIG.4

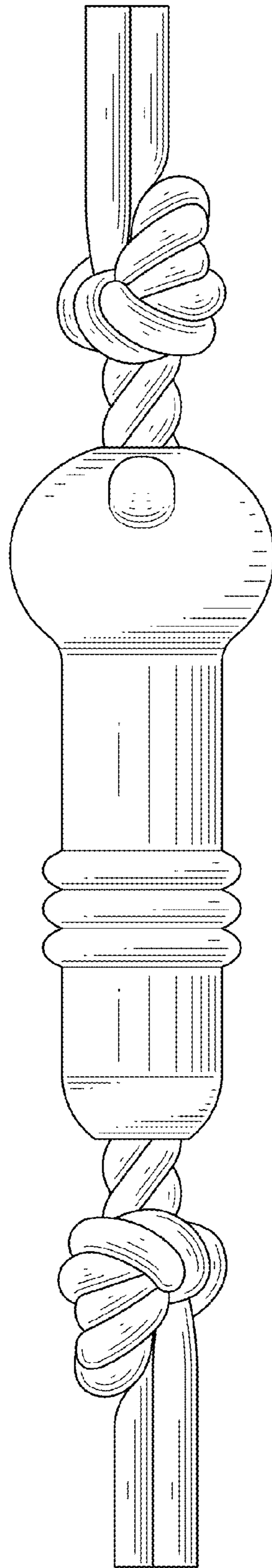


FIG.5

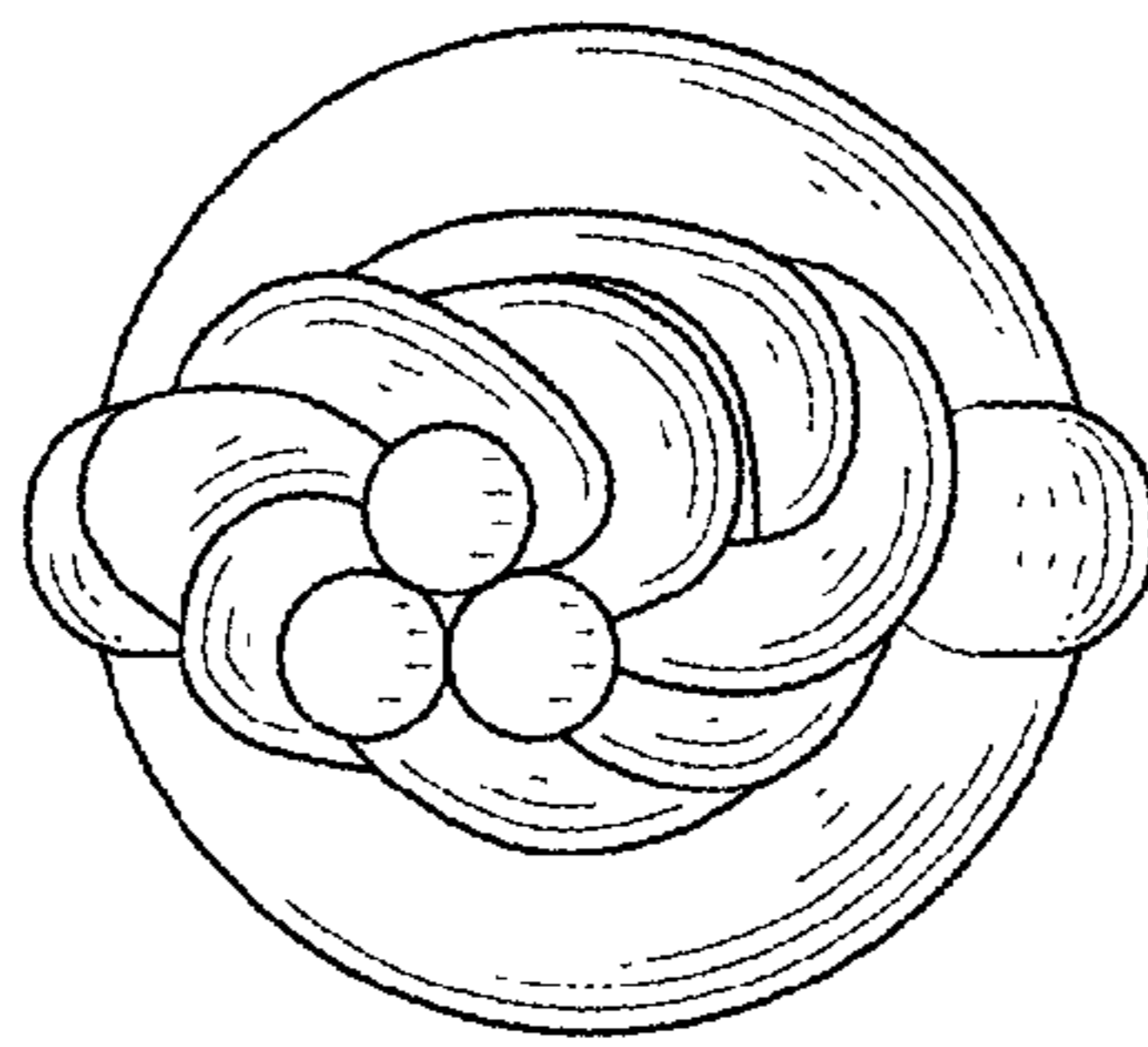


FIG.6

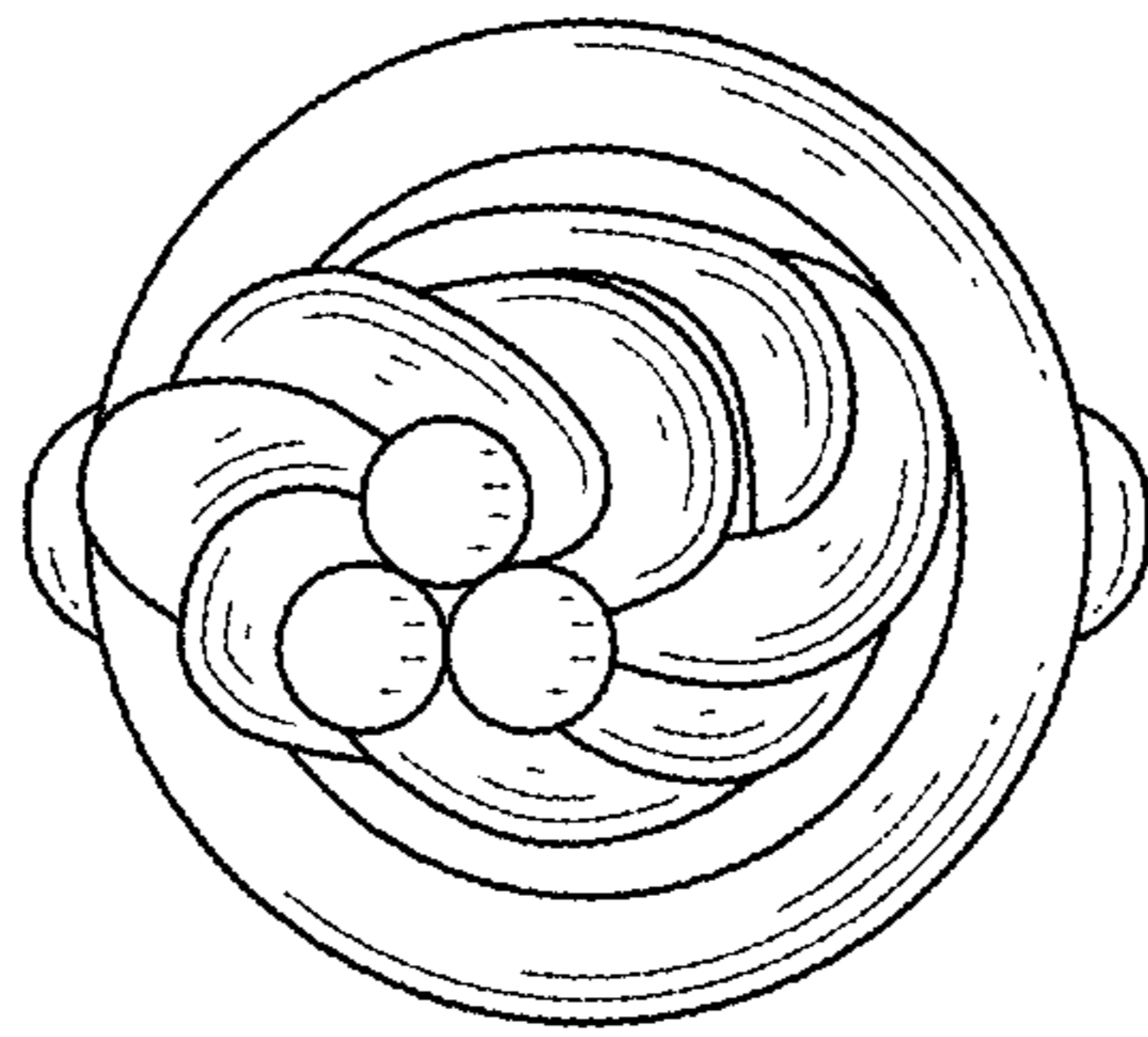


FIG.7