



US00D755447S

(12) **United States Design Patent**
Andrews et al.

(10) **Patent No.:** **US D755,447 S**

(45) **Date of Patent:** **** May 3, 2016**

- (54) **ANT STOP FOOD BOWL**
- (71) Applicants: **Carole Andrews**, Corona, CA (US);
Ervin W. Schoeppe, Corona, CA (US)
- (72) Inventors: **Carole Andrews**, Corona, CA (US);
Ervin W. Schoeppe, Corona, CA (US)
- (**) Term: **15 Years**
- (21) Appl. No.: **29/529,676**
- (22) Filed: **Jun. 9, 2015**
- (51) **LOC (10) Cl.** **30-03**
- (52) **U.S. Cl.**
USPC **D30/129**
- (58) **Field of Classification Search**
USPC D30/121, 122, 129-133; 119/61.5,
119/51.01, 61.56, 51.03, 59, 62, 63, 51.5,
119/57.8, 74, 61.54, 5, 61; 312/204;
248/151, 188; 108/156, 153.1-157;
220/23.87, 630, 737, 743, 9.4, 495.01,
220/574, 212, 255, 23.83, 575; 206/515;
D7/586, 543, 550.1, 587, 505, 584,
D7/545, 500, 553.1-553.8, 546, 555, 556,
D7/504, 565, 562, 602, 507, 549, 558,
D7/552.2, 560, 566, 548, 681; D9/429;
43/109; D22/122, 119; 99/430, DIG. 15
CPC A01K 5/01-5/0142; A01K 7/005
See application file for complete search history.

- D326,742 S 6/1992 Tart
- D338,288 S 8/1993 Key
- 5,253,609 A 10/1993 Partelow et al.
- 5,277,149 A 1/1994 East
- 5,619,952 A 4/1997 Walker
- 5,709,168 A * 1/1998 Walker A01K 5/0128
119/61.5
- 5,794,564 A 8/1998 Paro
- 5,845,605 A * 12/1998 Malamphy A01K 45/002
119/69.5
- D412,605 S * 8/1999 Sharon D30/129
- 6,032,824 A * 3/2000 Barrow A01K 5/0135
220/621
- 6,125,790 A 10/2000 Breedwell
- D451,709 S * 12/2001 Heithecker D6/661.3
- D494,325 S * 8/2004 Paterson D30/121
- 6,860,229 B1 3/2005 Craft
- 7,219,622 B1 5/2007 Powers
- D576,448 S * 9/2008 Harris D7/505
- D590,551 S * 4/2009 Sperbeck D30/129
- 7,527,018 B2 * 5/2009 Manley-Hood A01K 5/0128
119/61.5
- D593,364 S * 6/2009 Harris D7/505

(Continued)

Primary Examiner — Susan Moon Lee

(74) Attorney, Agent, or Firm — Kirk A. Buhler; Buhler & Associates

(57) **CLAIM**

We claim the ornamental design for an ant stop food bowl, as shown and described.

DESCRIPTION

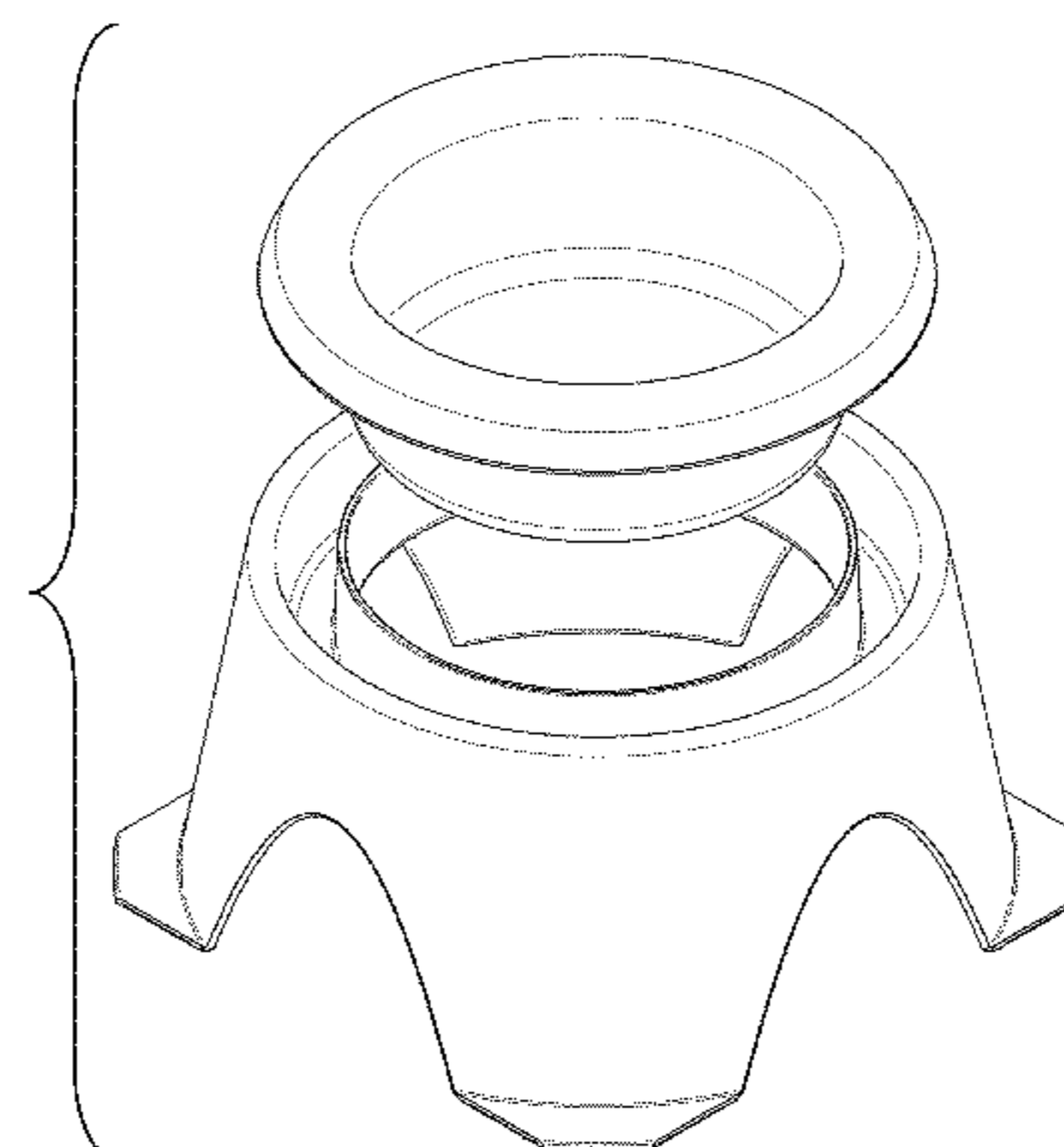
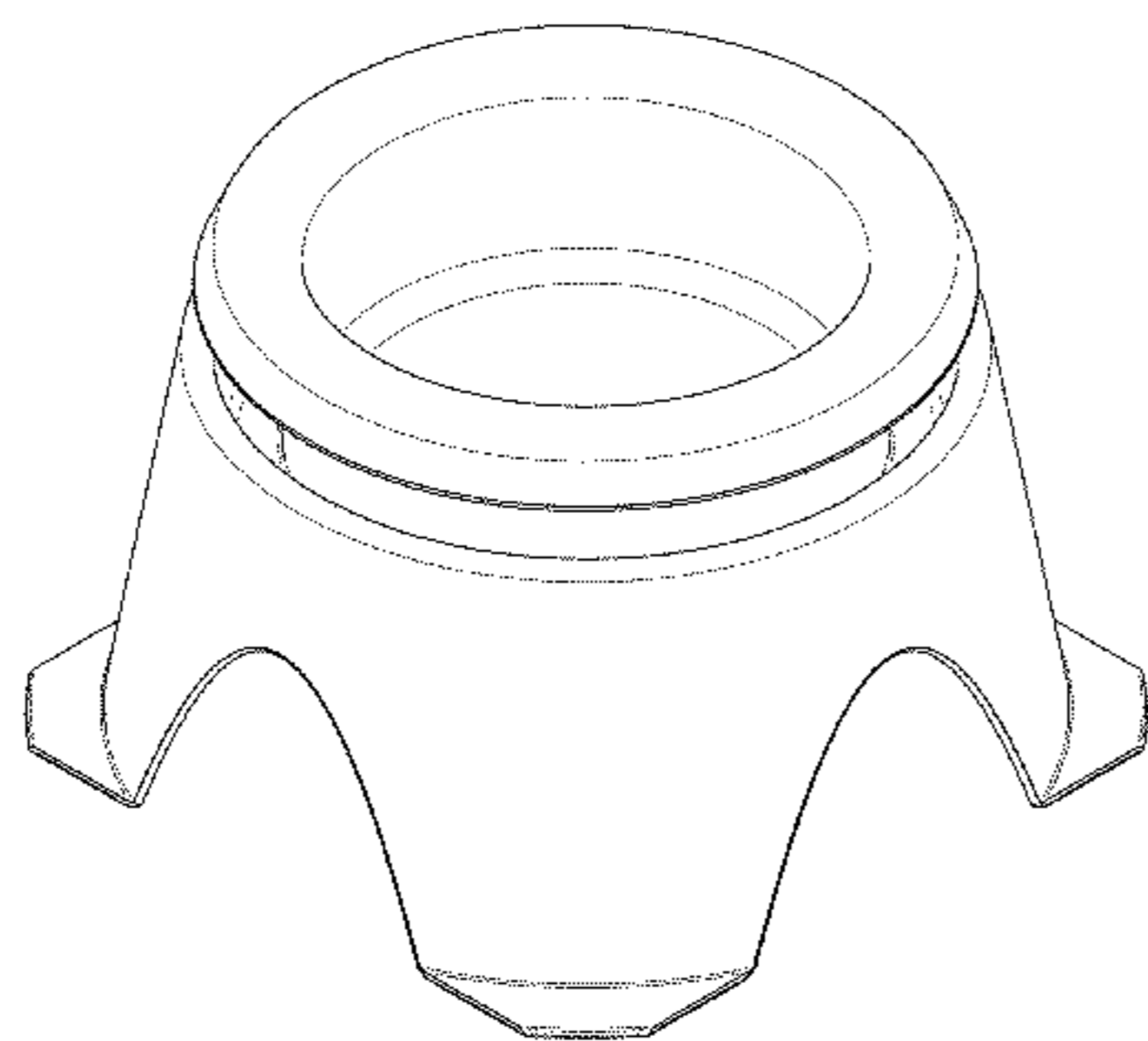
FIG. 1 is a top perspective view of an ant stop food bowl showing our new design;
 FIG. 2 is a side view thereof, the remaining three side views being essentially the same thereof;
 FIG. 3 is a sectional view taken along lines 3-3 from FIG. 4 thereof;
 FIG. 4 is a top plan view thereof;
 FIG. 5 is a bottom view thereof;
 FIG. 6 is an exploded side view, the remaining three side views being essentially the same; and,
 FIG. 7 is an exploded top perspective view.

1 Claim, 6 Drawing Sheets

(56) **References Cited**

U.S. PATENT DOCUMENTS

- 3,441,003 A 4/1969 Du Mond et al.
- 3,527,192 A * 9/1970 Ferrara A01K 5/0128
119/61.5
- 3,756,462 A 9/1973 Cain
- D257,494 S * 11/1980 Imhoff D30/129
- D262,069 S 11/1981 Khider
- D269,386 S 6/1983 Khider
- D287,772 S * 1/1987 Stewart D30/129
- 4,802,302 A 2/1989 Alnafissa
- 4,953,506 A 9/1990 Sanders
- 5,113,798 A * 5/1992 Rera A01K 5/0142
119/51.5



(56)

References Cited

U.S. PATENT DOCUMENTS

D625,885 S *	10/2010	Bianchi	D30/129	D738,681 S *	9/2015	Renforth	D30/129
D634,167 S *	3/2011	Foster	D7/700	D744,174 S *	11/2015	Jones	D30/121
D677,128 S *	3/2013	Roesser	D7/625	2006/0278168 A1*	12/2006	Behun	A01K 5/0128 119/61.5
D682,482 S *	5/2013	Nelson	D30/129	2007/0199512 A1*	8/2007	Ellis	A01K 7/005 119/61.54
D702,404 S *	4/2014	Leung	D30/129	2009/0126641 A1*	5/2009	Anderson	A01K 5/0135 119/61.5
D703,393 S *	4/2014	Henley	D30/129	2014/0352621 A1*	12/2014	Fairbanks	A01K 5/0128 119/61.53
D726,981 S *	4/2015	Yessin	D32/25				

* cited by examiner

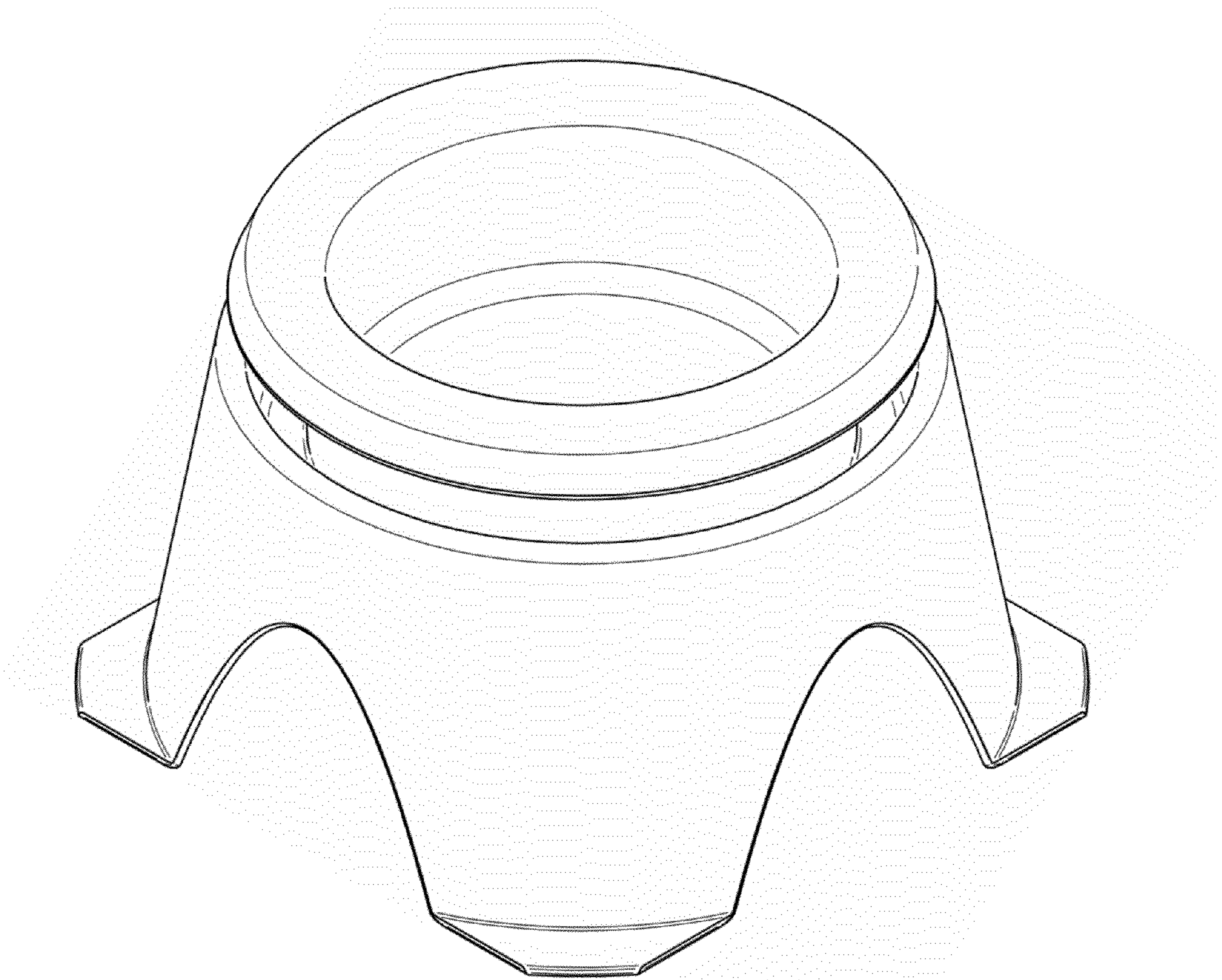


FIG. 1

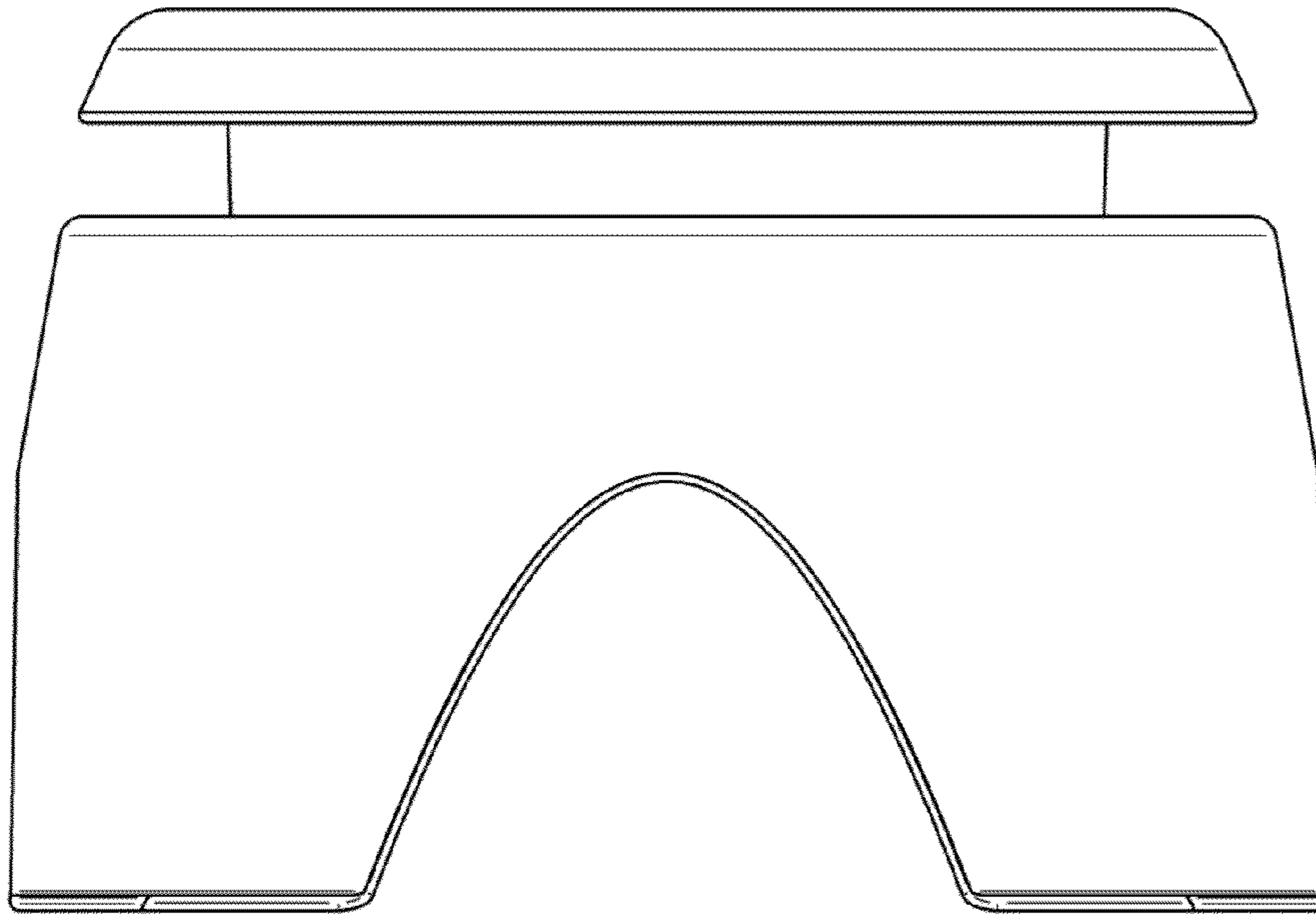


FIG. 2

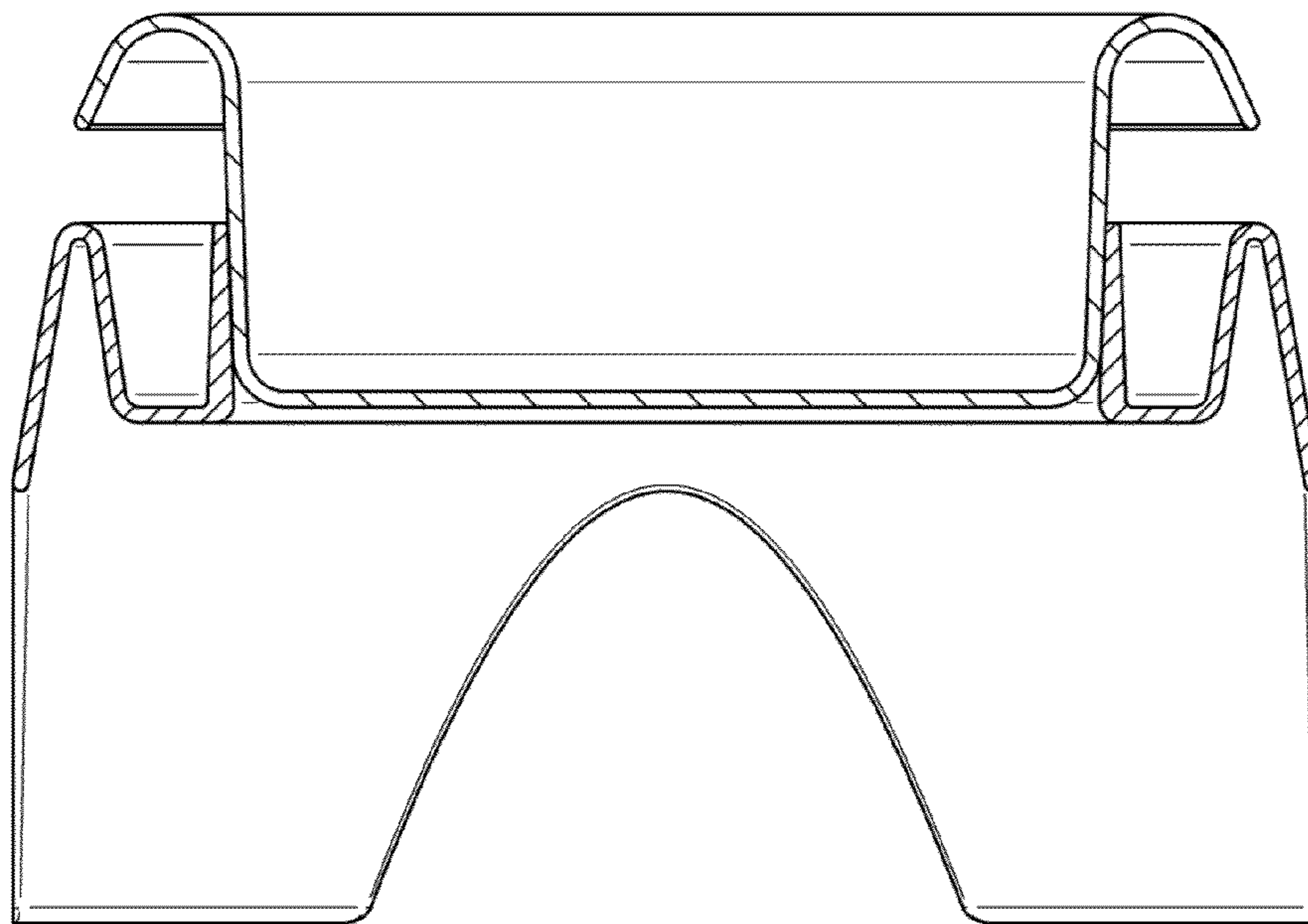


FIG. 3

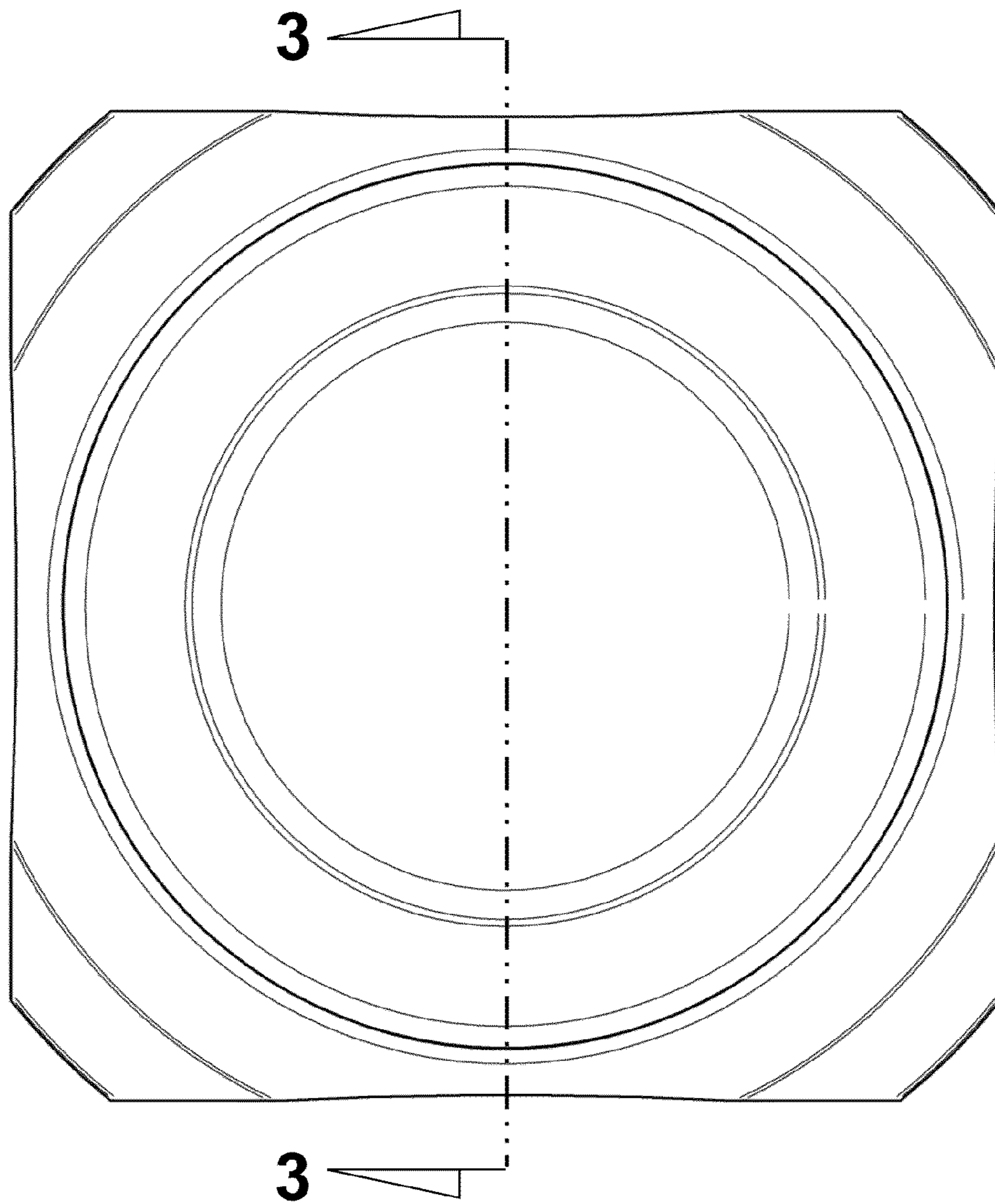


FIG. 4

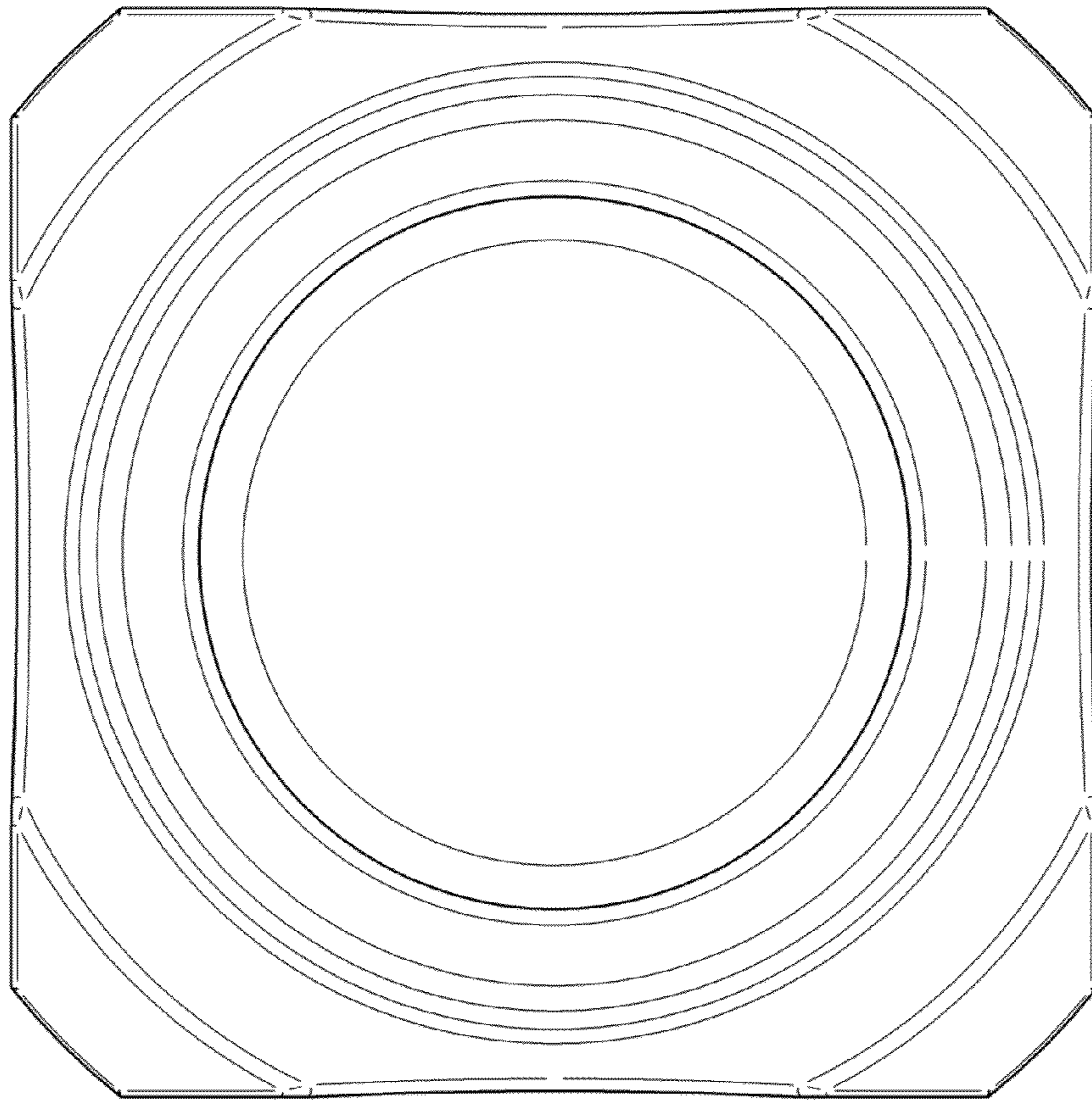


FIG. 5

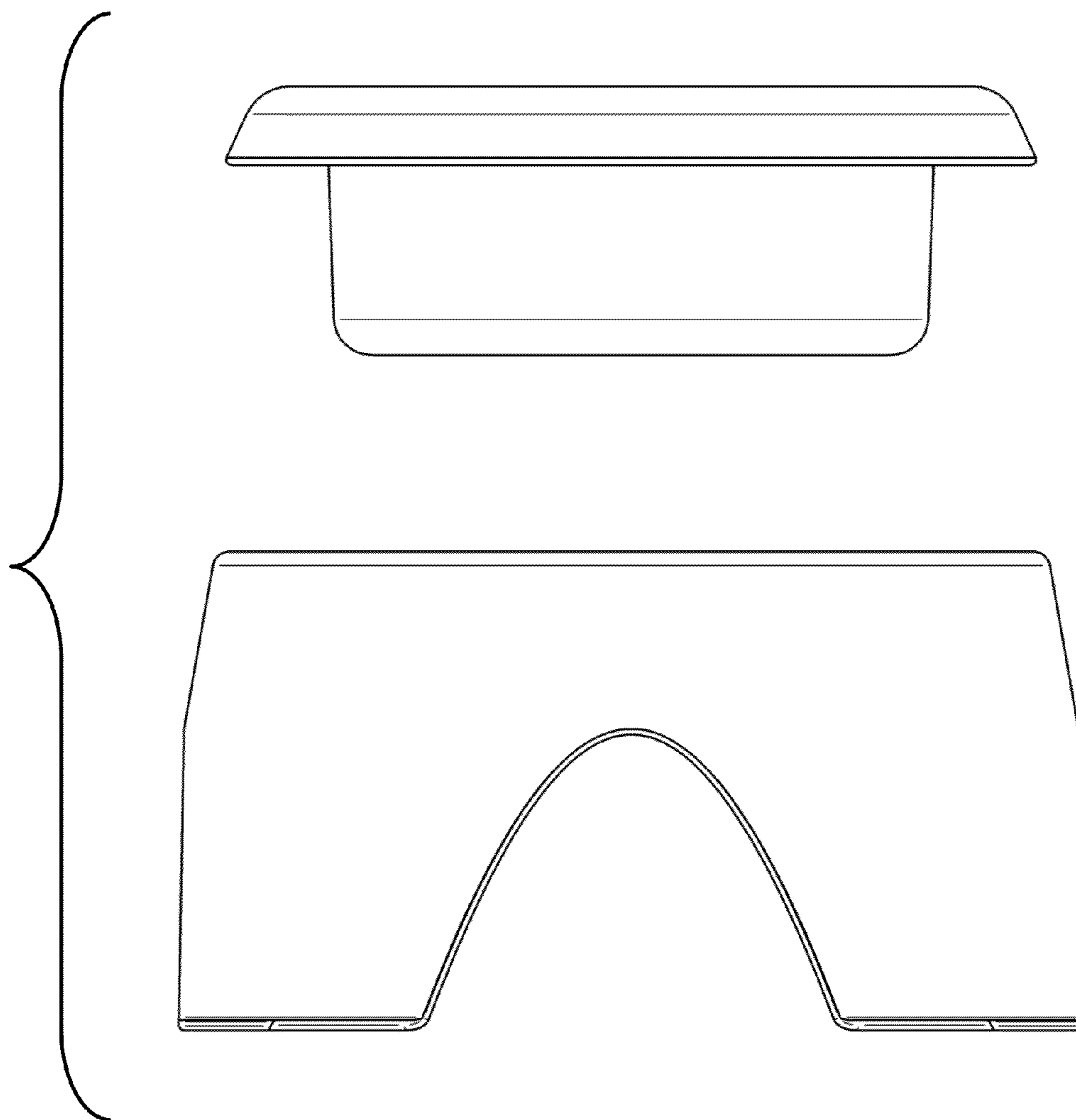


FIG. 6

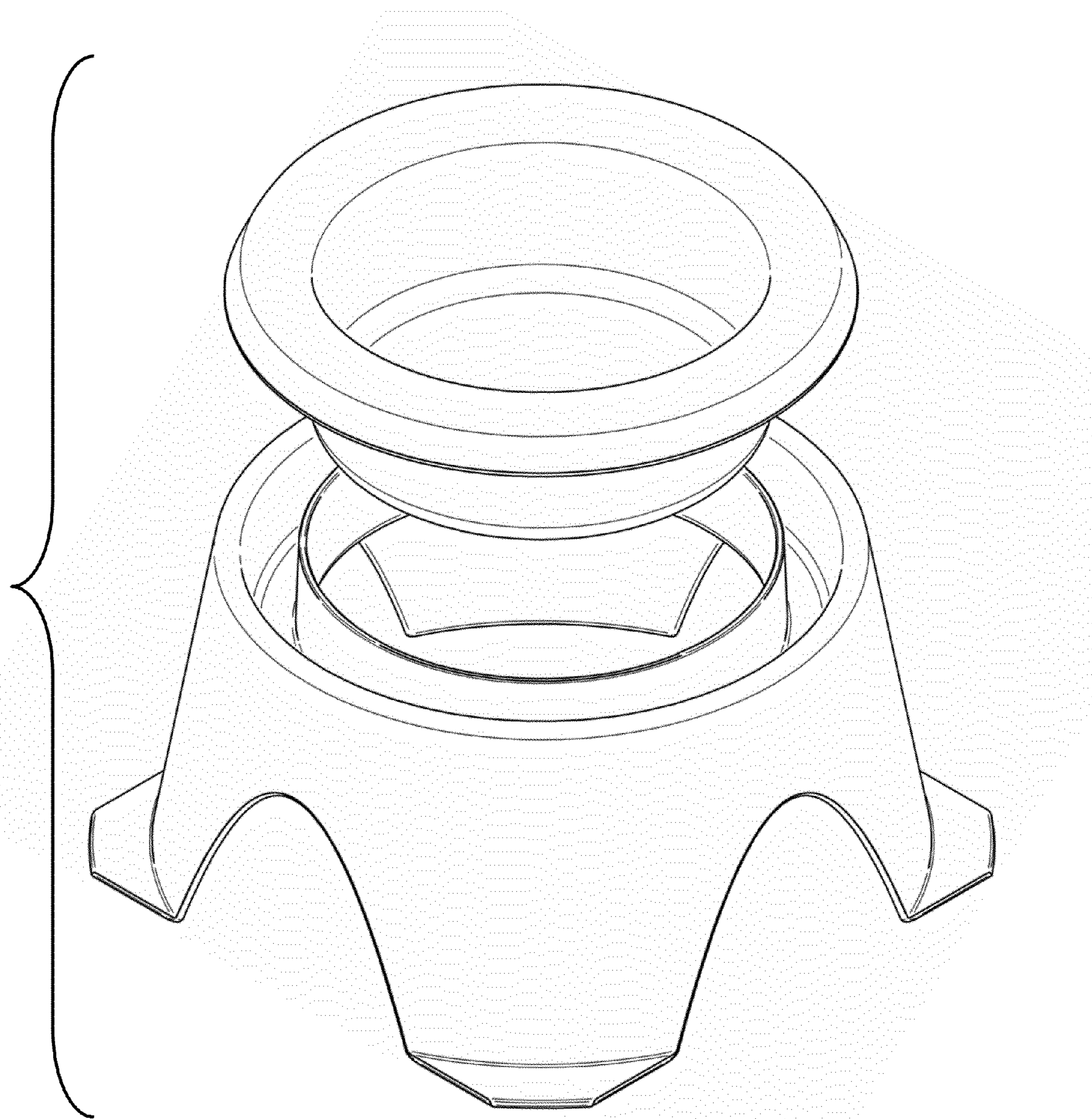


FIG. 7