

US00D755446S

(12) **United States Design Patent**
Hansen

(10) **Patent No.:** **US D755,446 S**

(45) **Date of Patent:** **** May 3, 2016**

(54) **DOG TREAT PUZZLE**

(76) Inventor: **Kyle Hansen**, Castle Rock, CO (US)

(**) Term: **14 Years**

(21) Appl. No.: **29/374,023**

(22) Filed: **Jun. 22, 2011**

(51) **LOC (10) Cl.** **30-03**

(52) **U.S. Cl.**
USPC **D30/121; D30/160**

(58) **Field of Classification Search**
USPC D30/199, 160, 155, 118, 121, 122,
D30/128-133; D5/65, 99; D10/104;
D13/168; D11/127, 121, 125;
119/61.5, 51.01, 61.56, 51.03, 59, 62,
119/63, 51.5, 57.8, 74, 61.54, 61.55, 53,
119/53.5, 75, 51.02, 52.3, 57.9, 77, 707,
119/710, 711, 702; D23/201, 213-216,
D23/220-222, 225, 227-229, 234, 356, 360,
D23/362, 366, 367; 446/46, 48, 87, 94, 102,
446/168, 219, 225, 227, 256, 76, 489, 175,
446/484, 230, 231, 267, 397, 429, 476, 483,
446/491; 239/211, 247, 279, 280, 536, 580;
222/485; 434/259; 273/147; D21/300,
D21/322, 340, 341, 342, 347, 352, 362, 363,
D21/367, 369, 380, 430, 431, 406, 532, 436,
D21/437, 441, 443, 447, 451, 452, 453, 454,
D21/455, 478, 479, 813

CPC ... A01K 15/025; A01K 15/06; A01K 5/0114;
A01K 5/00; A01K 5/0275; A01K 5/0233;
A01K 5/0291; A01K 5/0225; A01K 5/025;
A01K 5/0142; A01K 5/02

See application file for complete search history.

(56) **References Cited**

U.S. PATENT DOCUMENTS

547,764 A * 10/1895 Boyum 446/256
D32,155 S * 1/1900 Todd D23/214

2,134,812 A * 11/1938 Dick 16/432
D119,250 S * 2/1940 Hoffman D23/214
D142,793 S * 11/1945 Running et al. D30/131
D148,035 S * 12/1947 Parker D23/220
D171,559 S * 2/1954 Rienks D23/214
D244,936 S * 7/1977 Chow D23/220
4,450,790 A * 5/1984 Stansbury, Jr. 119/51.12
D309,925 S * 8/1990 Hunt D21/437
D312,480 S * 11/1990 Darnell D21/437
D321,788 S * 11/1991 Chen D3/295
5,655,777 A * 8/1997 Neading et al. 473/594
5,704,549 A * 1/1998 Kephart et al. 239/236
D396,253 S * 7/1998 Beecher D21/406
D396,501 S * 7/1998 Hatting D21/484
D397,203 S * 8/1998 Wang D23/214
D399,915 S * 10/1998 McEachen D23/214
D411,042 S * 6/1999 Willinger D30/160
6,032,615 A * 3/2000 Girard 119/707
D424,128 S * 5/2000 McEachen D21/483
D426,284 S * 6/2000 Wang D23/214
D426,614 S * 6/2000 Wang D23/214
D426,867 S * 6/2000 Wang D23/214

(Continued)

Primary Examiner — Susan Moon Lee

(57) **CLAIM**

I claim the ornamental design for a dog treat puzzle, as shown and described.

DESCRIPTION

FIG. 1 is a perspective view of a dog treat puzzle; and, FIG. 2 is a top plan view thereof.

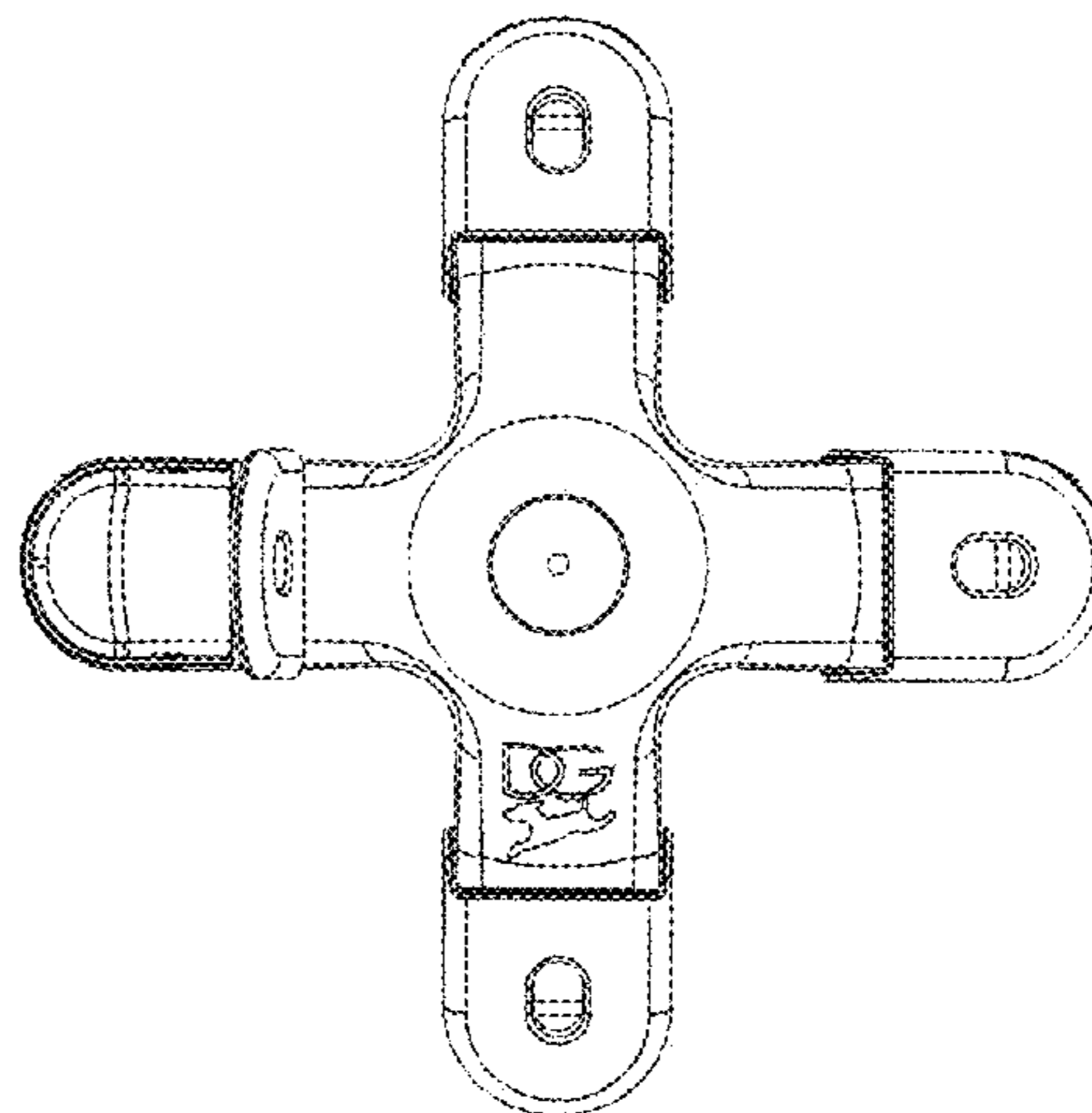
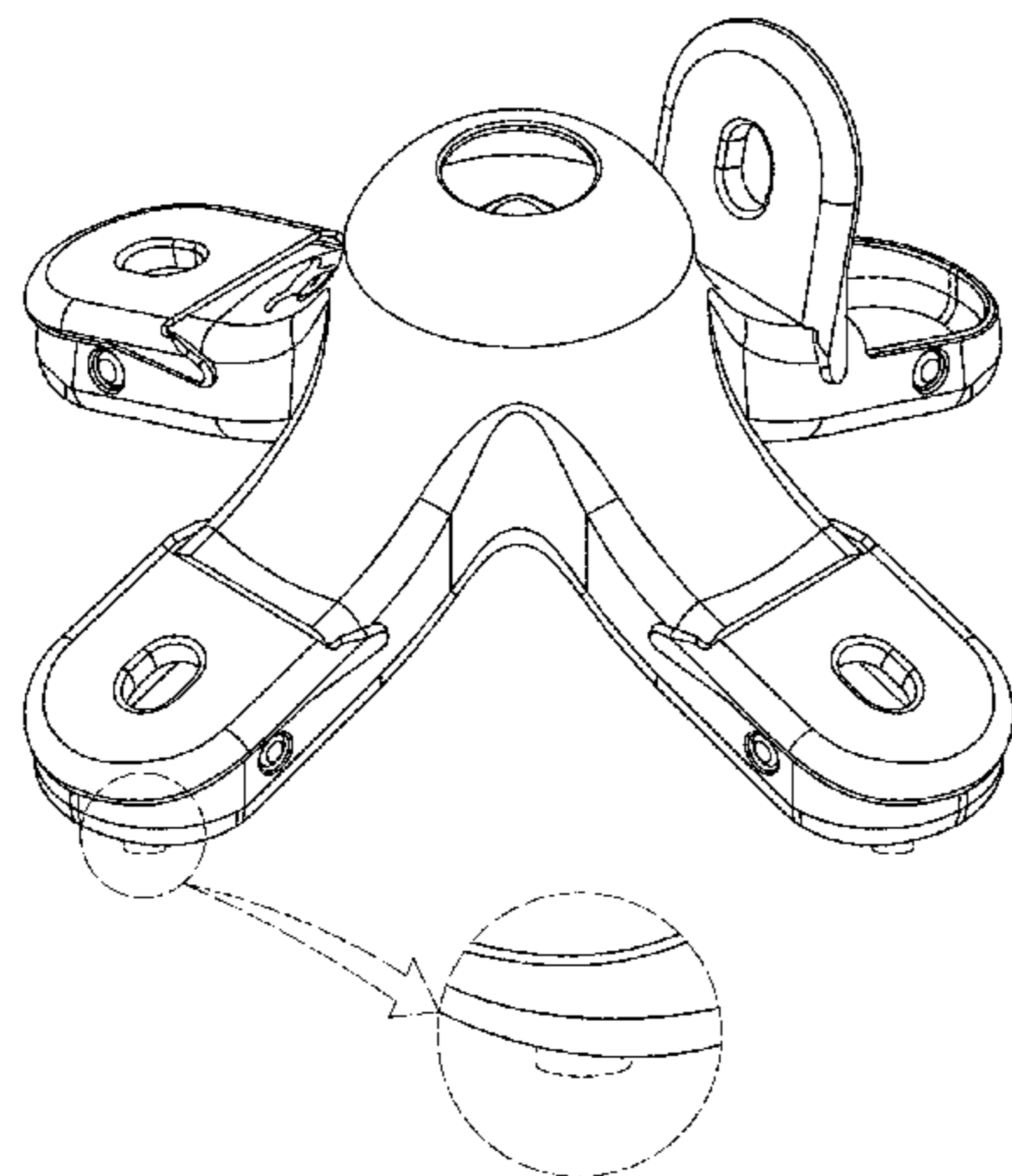
In the FIG. 1 view, the foot portion of the puzzle is shown enlarged for clarity.

The broken lines form not part of the claimed design.

This design invention relates to a pet puzzle toy game wherein treats are inserted into the toy and the animal must ascertain how to remove the treats. The puzzle is manufactured of plastic.

The entire underside of the invention is not claimed.

1 Claim, 2 Drawing Sheets



(56)

References Cited

U.S. PATENT DOCUMENTS

6,082,633 A * 7/2000 Kephart et al. 239/211
 6,217,408 B1 * 4/2001 Willinger 446/396
 D447,809 S * 9/2001 Gladieux et al. D24/211
 D486,236 S * 2/2004 Nan D24/215
 D503,954 S * 4/2005 Balanchi D21/489
 6,945,195 B1 * 9/2005 Morrison 119/707
 D513,546 S * 1/2006 Comerford D30/160
 D516,166 S * 2/2006 Gregory D23/214
 D520,144 S * 5/2006 Cafaro et al. D24/215
 D526,688 S * 8/2006 Marshall et al. D21/473
 D540,428 S * 4/2007 Christianson D23/214
 D582,563 S * 12/2008 Ferber et al. D24/215
 7,472,840 B2 * 1/2009 Gregory 239/289
 7,513,220 B2 * 4/2009 Ragonetti et al. 119/707
 D627,897 S * 11/2010 Yde et al. D24/214

D642,336 S * 7/2011 Desrosiers D30/129
 8,087,387 B2 * 1/2012 Gamble et al. 119/707
 8,272,350 B1 * 9/2012 England 119/52.1
 D672,100 S * 12/2012 Willinger D30/160
 D676,619 S * 2/2013 Hansen D30/199
 D687,954 S * 8/2013 Dallman D24/194
 D697,676 S * 1/2014 Hansen D30/121
 D700,755 S * 3/2014 Reiss et al. D30/160
 8,904,967 B2 * 12/2014 Reiss et al. 119/710
 D721,459 S * 1/2015 Smith D30/160
 D724,795 S * 3/2015 Cook et al. D30/160
 2005/0039696 A1 * 2/2005 Springer 119/709
 2008/0289580 A1 * 11/2008 Krishnamurthy 119/51.11
 2010/0275855 A1 * 11/2010 Ottosson 119/707
 2012/0152180 A1 * 6/2012 McCann 119/707
 2012/0204799 A1 * 8/2012 Desrosiers 119/61.54
 2014/0202396 A1 * 7/2014 Hansen 119/710
 2014/0216358 A1 * 8/2014 Hansen 119/707

* cited by examiner

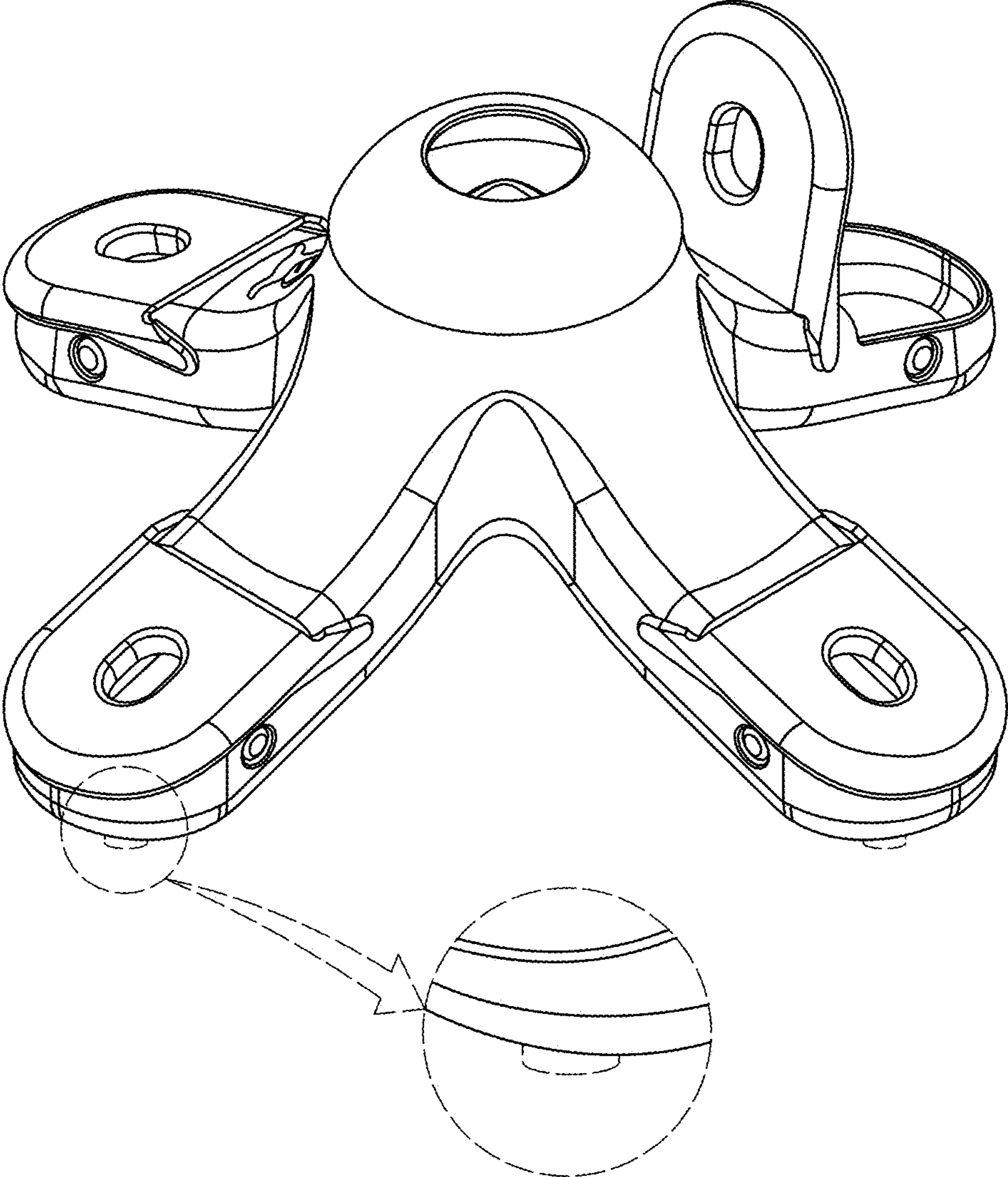


FIG. 1

FIG 2

