



US00D755445S

(12) **United States Design Patent**
Iiams

(10) **Patent No.:** **US D755,445 S**

(45) **Date of Patent:** **** May 3, 2016**

(54) **PET BED**

(71) Applicant: **iiams, LLC**, Kansas City, MO (US)

(72) Inventor: **David E. Iiams**, Kansas City, MO (US)

(73) Assignee: **iiams, LLC**, Kansas City, MO (US)

(**) Term: **14 Years**

(21) Appl. No.: **29/502,827**

(22) Filed: **Sep. 19, 2014**

(51) **LOC (10) Cl.** **30-06**

(52) **U.S. Cl.**

USPC **D30/118; D3/5**

(58) **Field of Classification Search**

USPC D30/118, 129; 119/28.5; D6/382, 390,
D6/604; 5/5, 93.1; D3/5, 13

CPC A01K 1/0272; A01K 1/35; A01K 1/0353;
A47C 17/14; A47C 19/00; A47C 19/202;
A47D 7/00; A45B 11/02

See application file for complete search history.

(56) **References Cited**

U.S. PATENT DOCUMENTS

- 2,673,086 A * 3/1954 Brown, Sr. A63H 33/32
135/16
- 4,872,468 A * 10/1989 Cole A45B 3/04
135/16
- 5,002,081 A * 3/1991 Stromeyer A45B 11/00
135/21
- 5,318,055 A * 6/1994 Olaniyan A45B 11/02
135/16
- D361,018 S * 8/1995 Drape D30/118
- D374,512 S 10/1996 Kiley et al.
- 6,565,060 B2 * 5/2003 Li A45B 23/00
248/292.12

- D519,182 S * 4/2006 Sinchok D21/815
- D571,055 S * 6/2008 Song D30/118
- D629,164 S * 12/2010 Lamstein D30/118
- D648,932 S * 11/2011 Merrell D3/5
- D739,089 S * 9/2015 Cohen D30/118

FOREIGN PATENT DOCUMENTS

WO WO 2012063029 5/2012

OTHER PUBLICATIONS

https://web.archive.org/web/20141017174338/http://www.poshpuppyboutique.com/Arbor_Outdoor_Bed_p/ehp-co2444-13-blk.htm Arbor Canpy Pet Bed. Oct. 17, 2014.*
<http://diyshowoff.com/2013/05/21/diy-dog-bed/>; May 21, 2013.
<http://www.wickerparadise.com/outdoor-wicker-bed.html> ; copy-right 2013.

* cited by examiner

Primary Examiner — Cathy A MacCormac
(74) *Attorney, Agent, or Firm* — Polsinelli PC

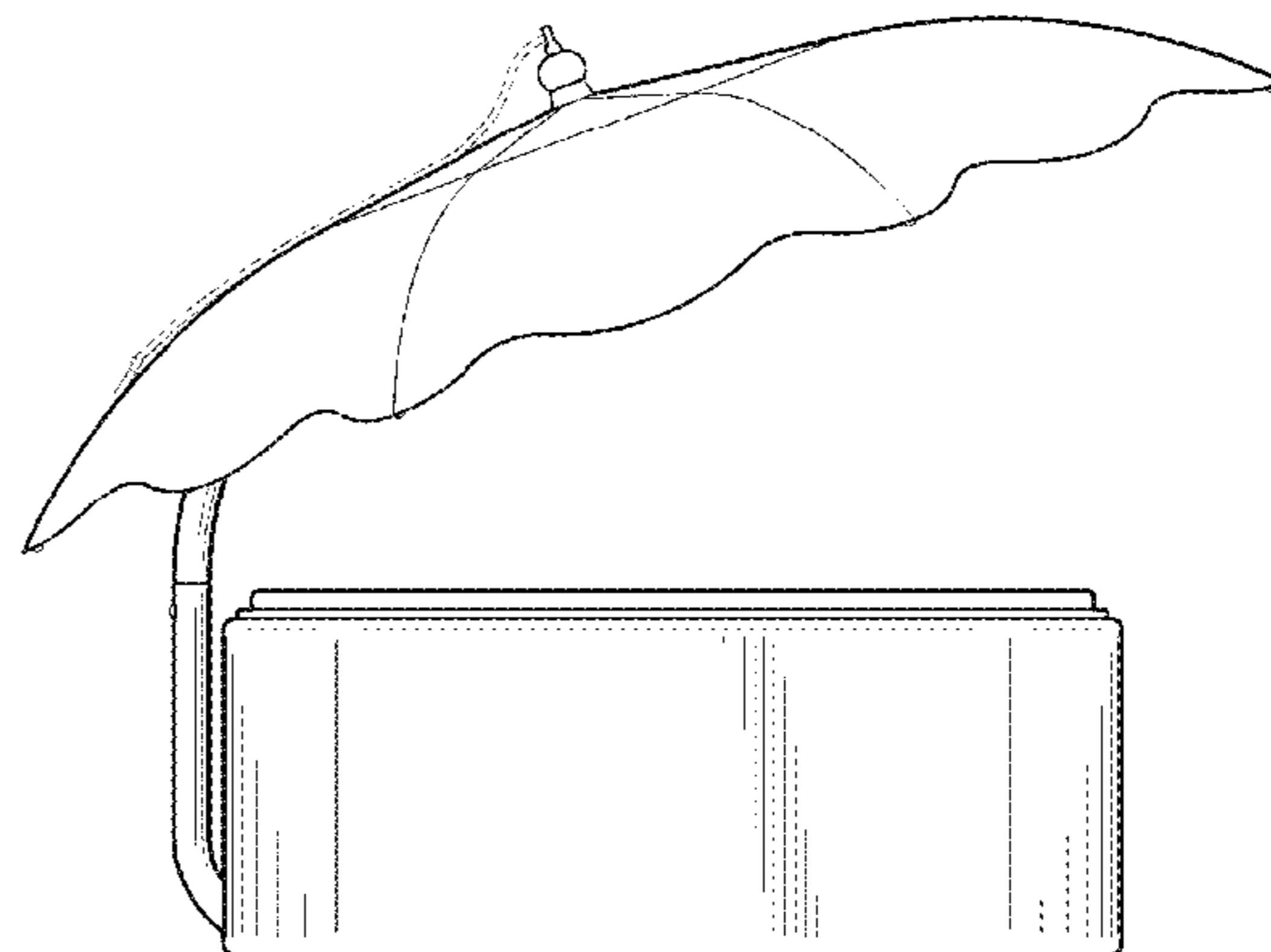
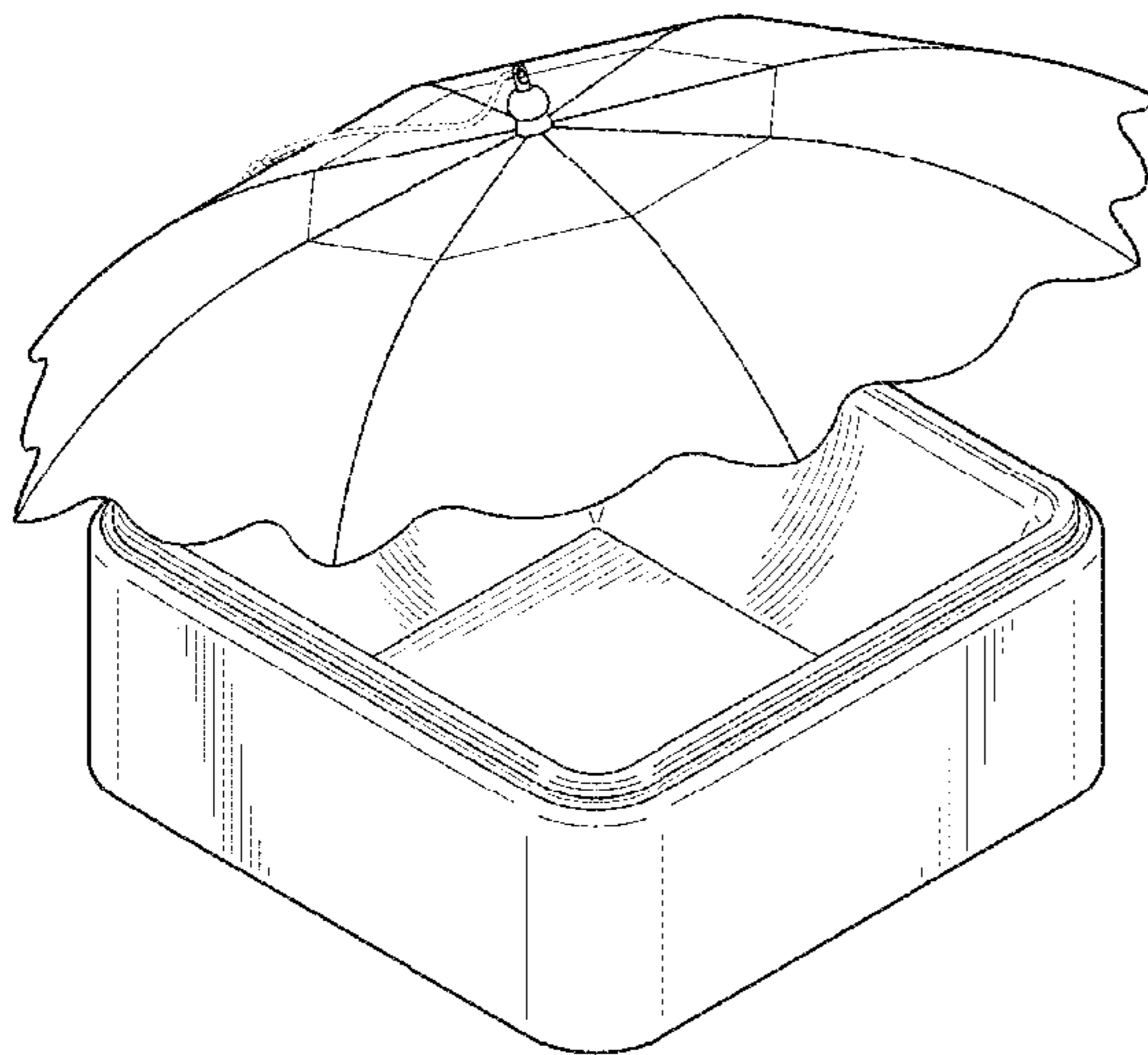
(57) **CLAIM**

The ornamental design for a pet bed, as shown and described.

DESCRIPTION

FIG. 1 is a perspective view of a pet bed showing my new design;
 FIG. 2 is a front view thereof;
 FIG. 3 is a rear view thereof;
 FIG. 4 is a top plan view thereof;
 FIG. 5 is a bottom plan view thereof; and,
 FIG. 6 is a left side elevational view thereof, the right side being a mirror image.
 The broken lines in the figures depict environmental subject matter and form no part of the claimed design.

1 Claim, 6 Drawing Sheets



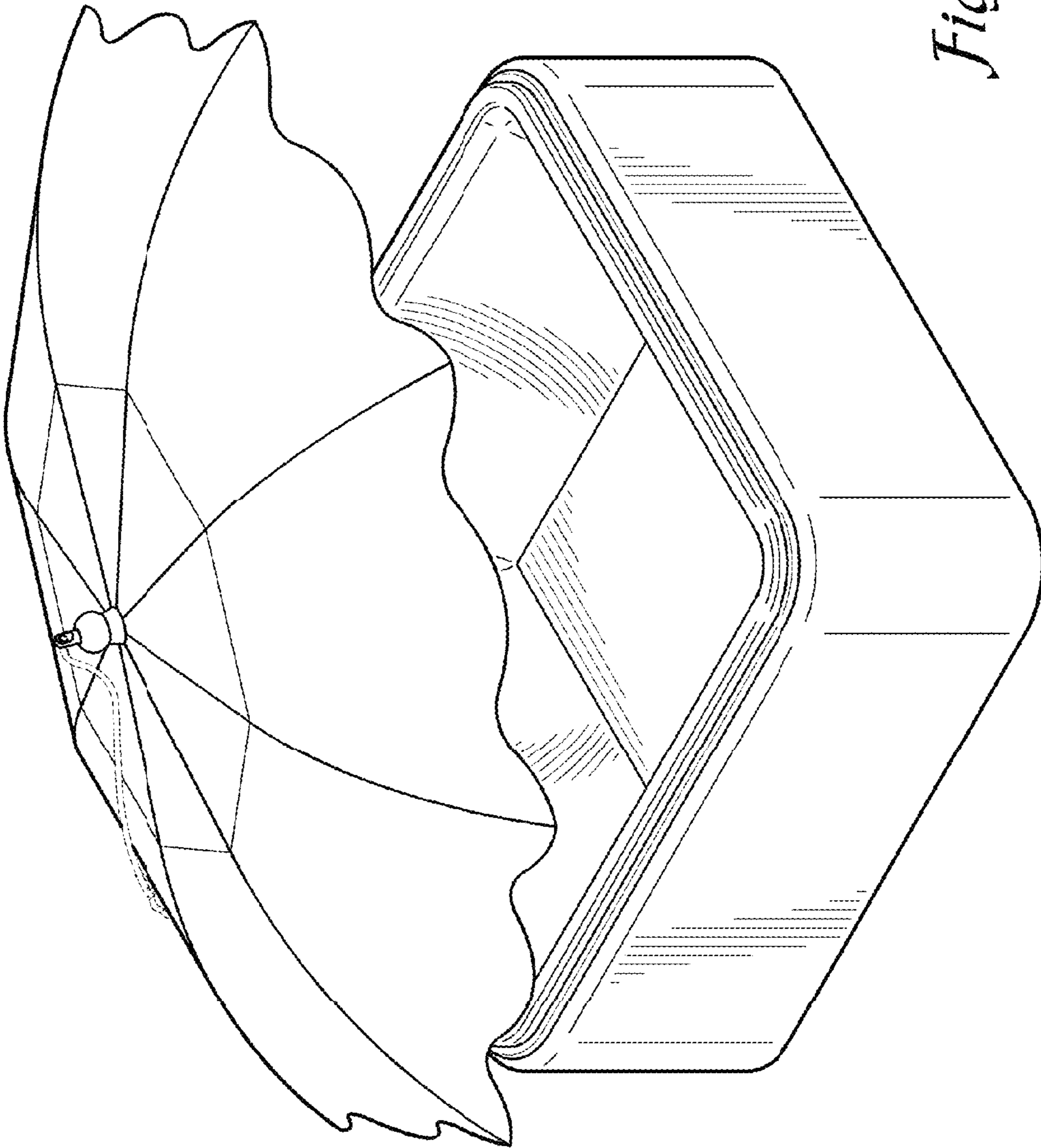


Fig. 1

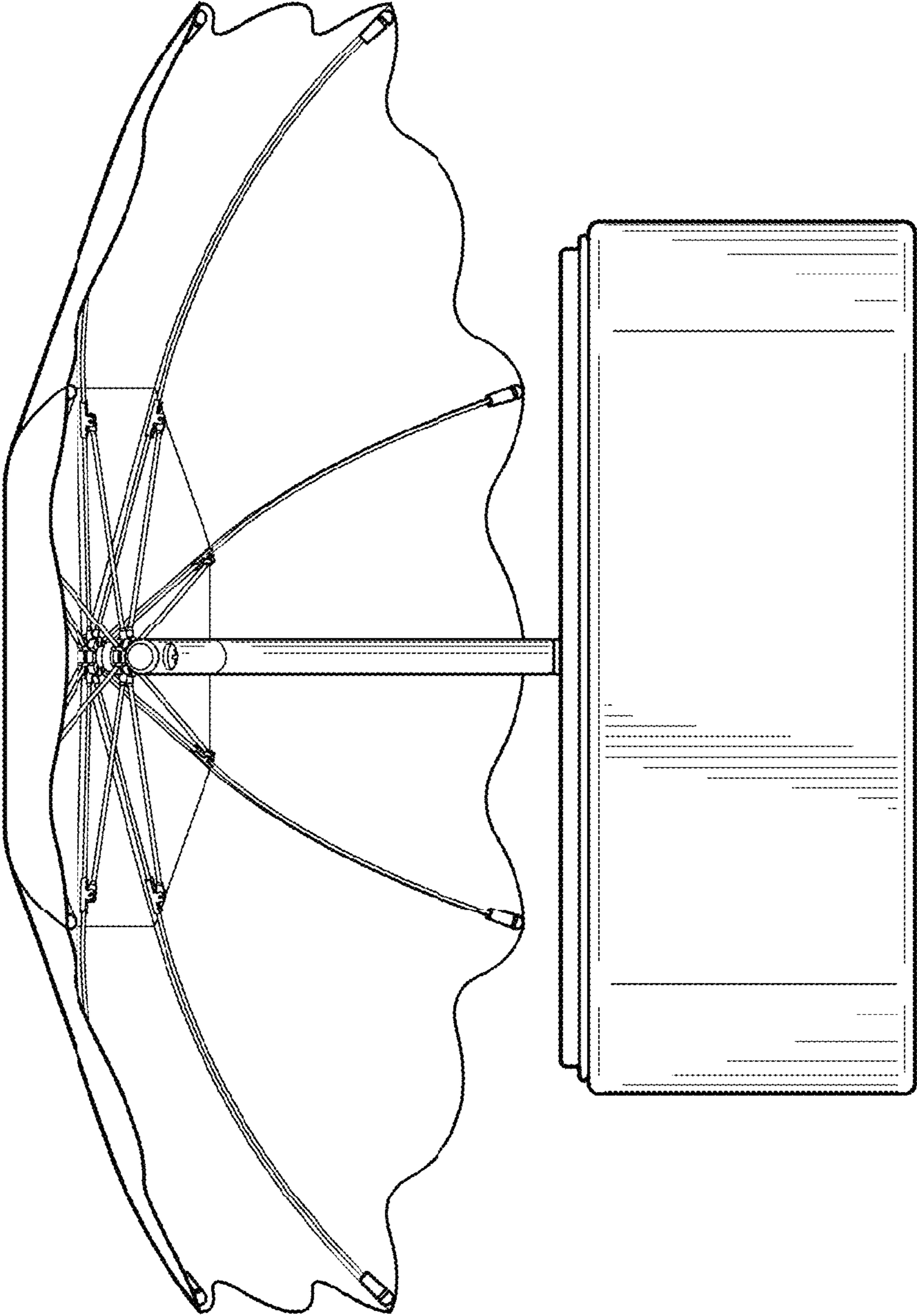


Fig. 2

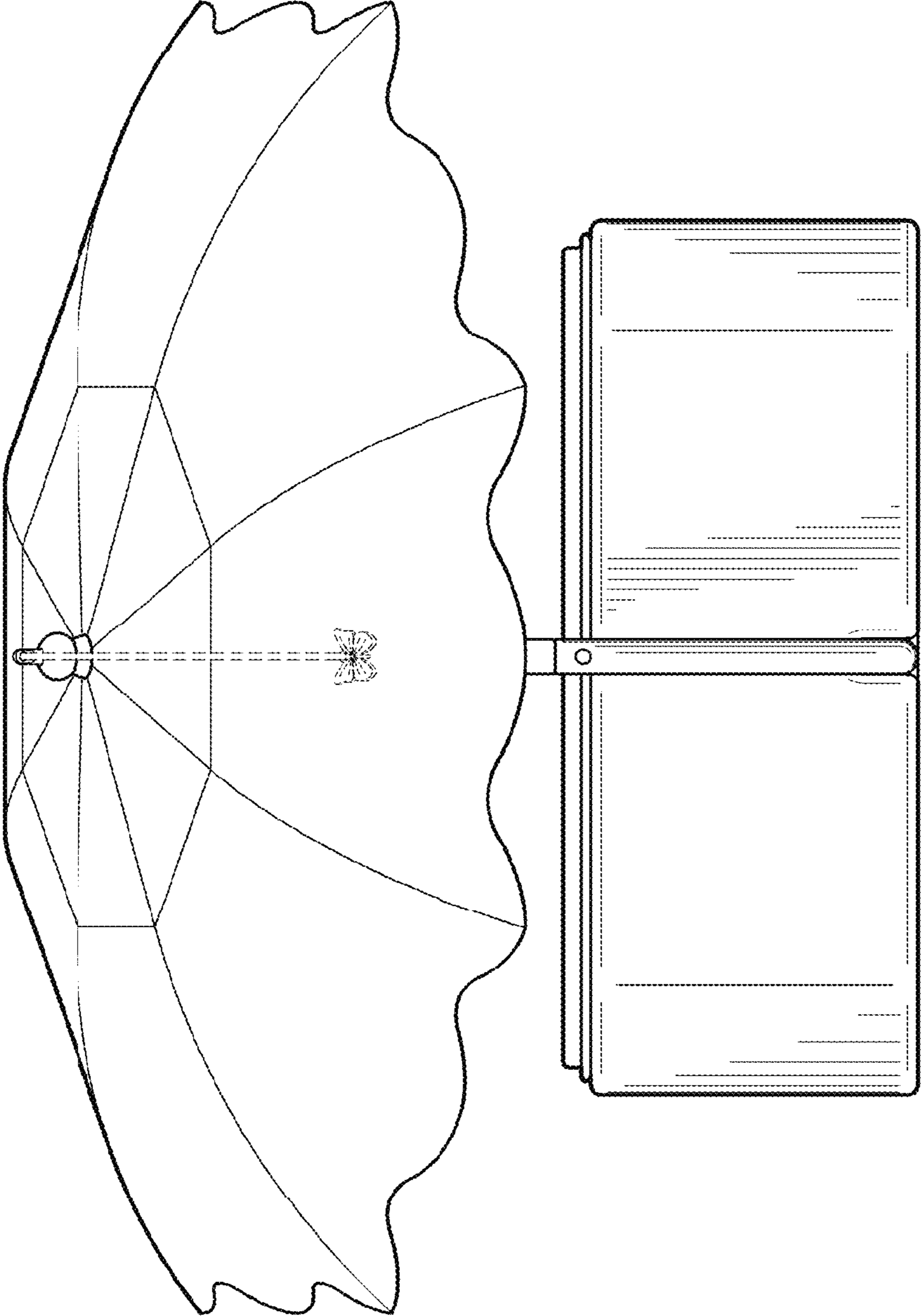


Fig. 3

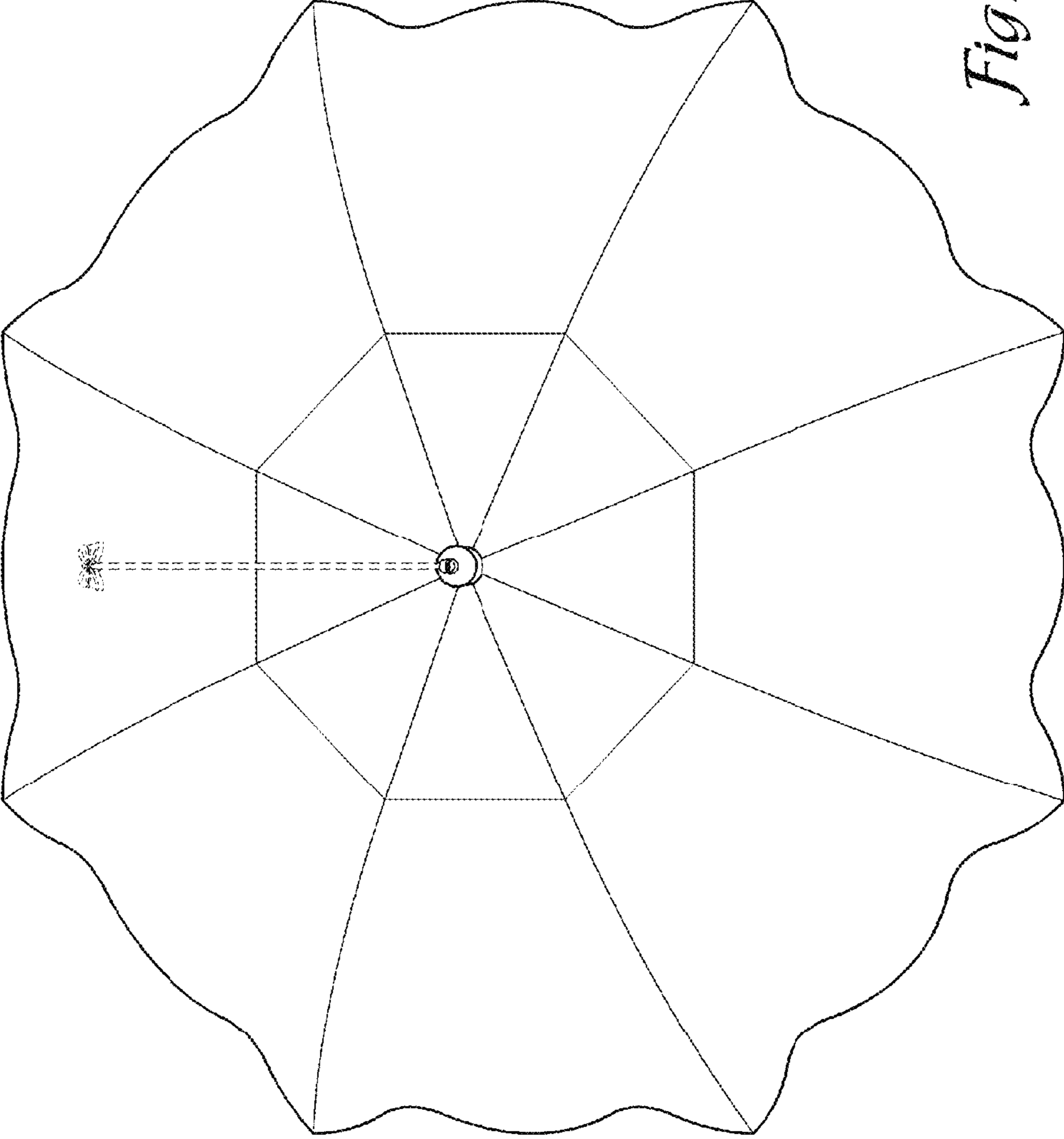


Fig. 4

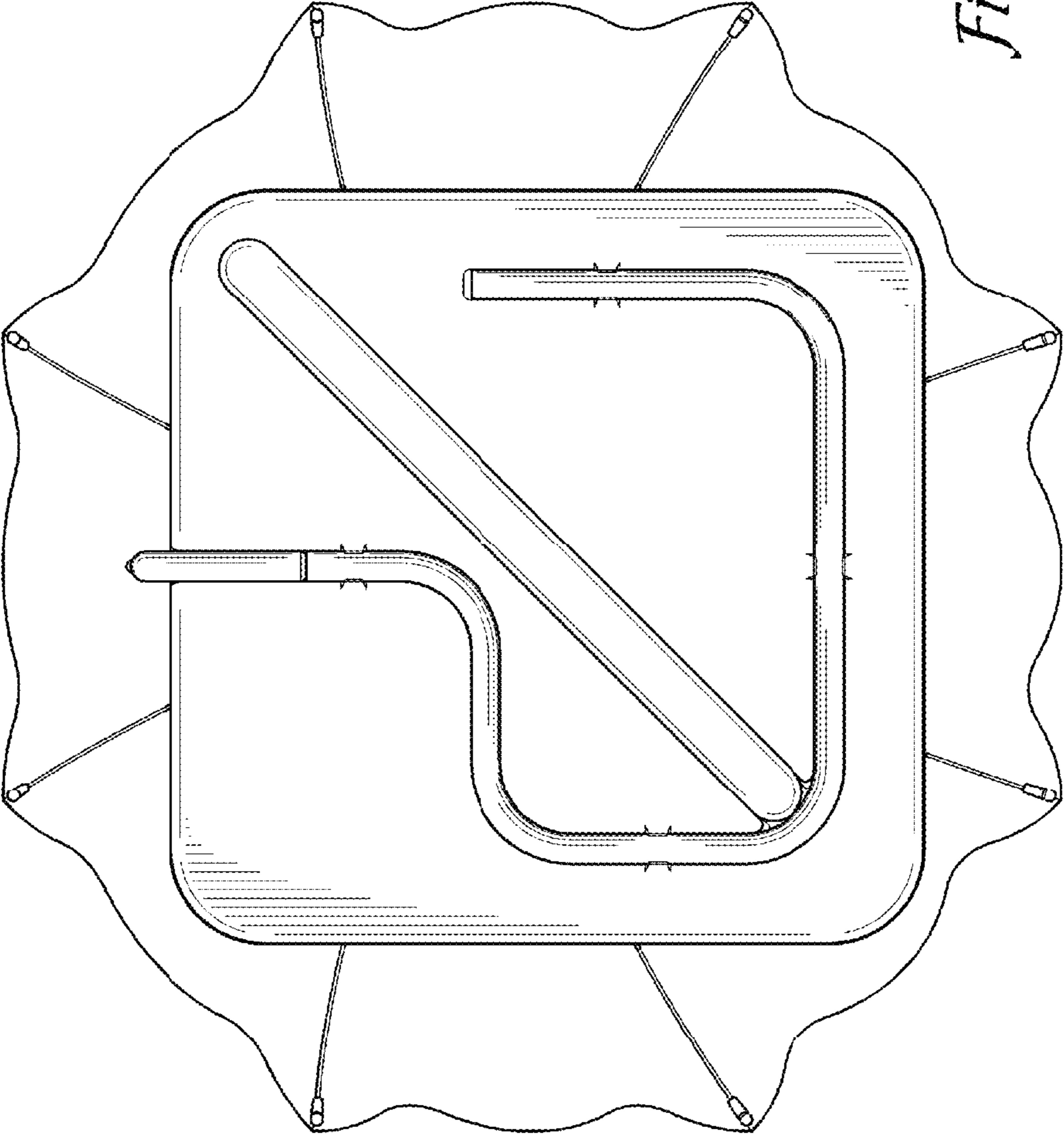


Fig. 5

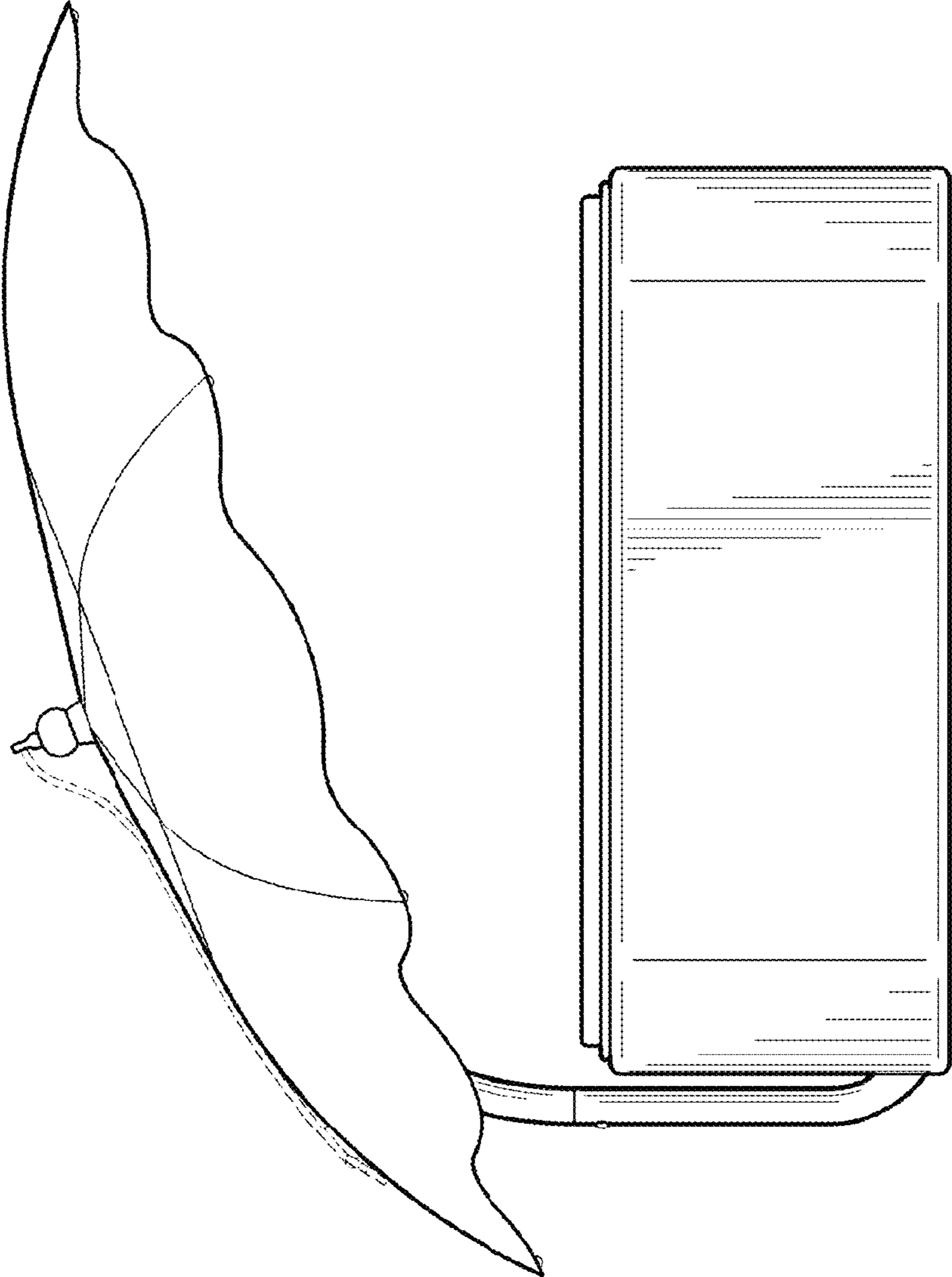


Fig. 6