

US00D755443S

(12) **United States Design Patent**
King

(10) **Patent No.:** **US D755,443 S**

(45) **Date of Patent:** **** May 3, 2016**

(54) **PADDED ARMOR**

(56) **References Cited**

(71) Applicant: **Nathan Alan King**, Charleston, WV
(US)

U.S. PATENT DOCUMENTS

(72) Inventor: **Nathan Alan King**, Charleston, WV
(US)

D270,776 S *	10/1983	Dawson	D29/100
D293,495 S *	12/1987	Berryman et al.	D29/101.3
D296,595 S *	7/1988	Flosi et al.	D29/101.3
D441,917 S *	5/2001	L'Abbe et al.	D29/100
D559,466 S *	1/2008	Crossman et al.	D29/100
D629,998 S *	1/2011	Lambertz	D2/704

(**) Term: **14 Years**

* cited by examiner

(21) Appl. No.: **29/475,833**

Primary Examiner — Randall Gholson

(22) Filed: **Dec. 6, 2013**

(57) **CLAIM**

The ornamental design for a padded armor, as shown and described.

(51) **LOC (10) Cl.** **29-02**

DESCRIPTION

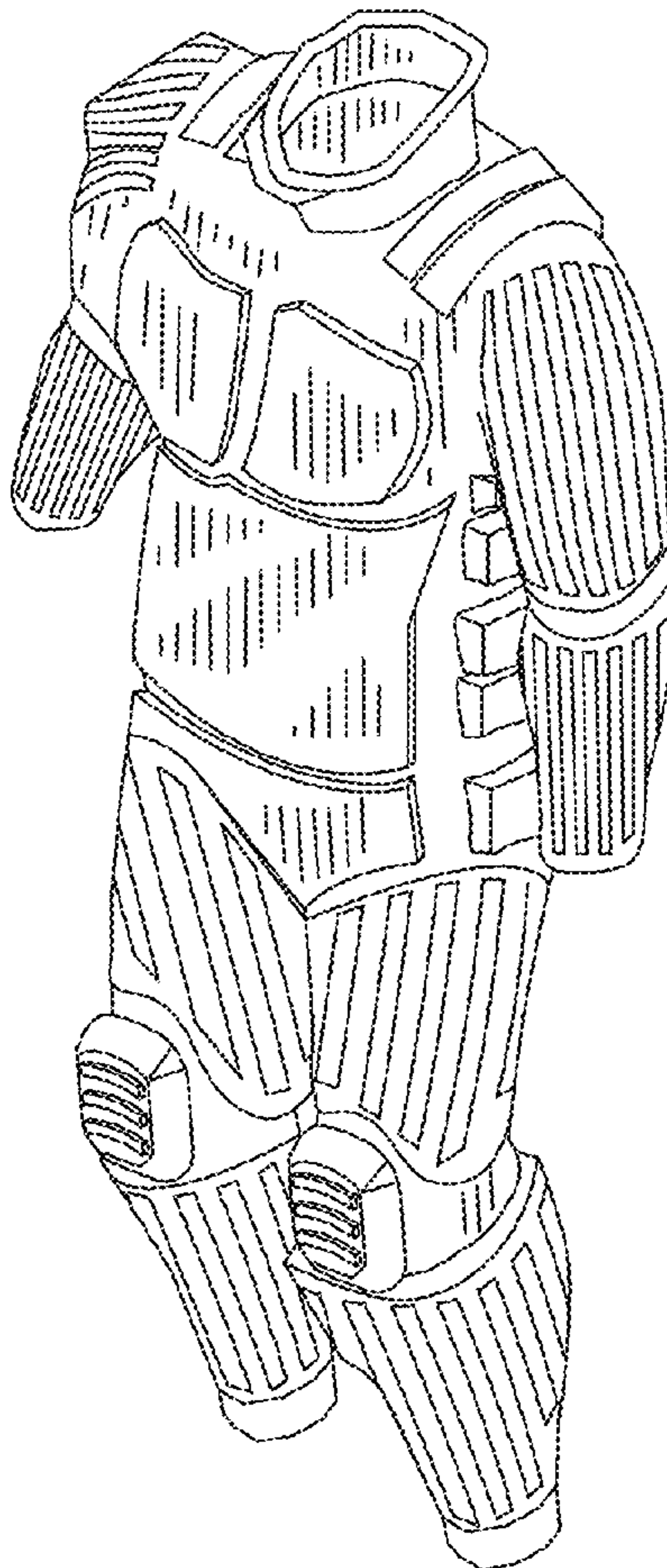
(52) **U.S. Cl.**
USPC **D29/100**

(58) **Field of Classification Search**
USPC D29/100, 101.1, 101.2, 101.3, 101.4,
D29/101.5; D2/211, 211 R, 215, 456, 457,
D2/743

FIG. 1 is a top, front, right side perspective view of my new design of a padded armor;
FIG. 2 is a front view thereof;
FIG. 3 is a rear view thereof;
FIG. 4 is a left side view thereof;
FIG. 5 is a right side view thereof;
FIG. 6 is a top side view thereof; and,
FIG. 7 is a bottom side view thereof.

CPC F41H 1/02; A41D 1/00; A41D 3/00
See application file for complete search history.

1 Claim, 3 Drawing Sheets



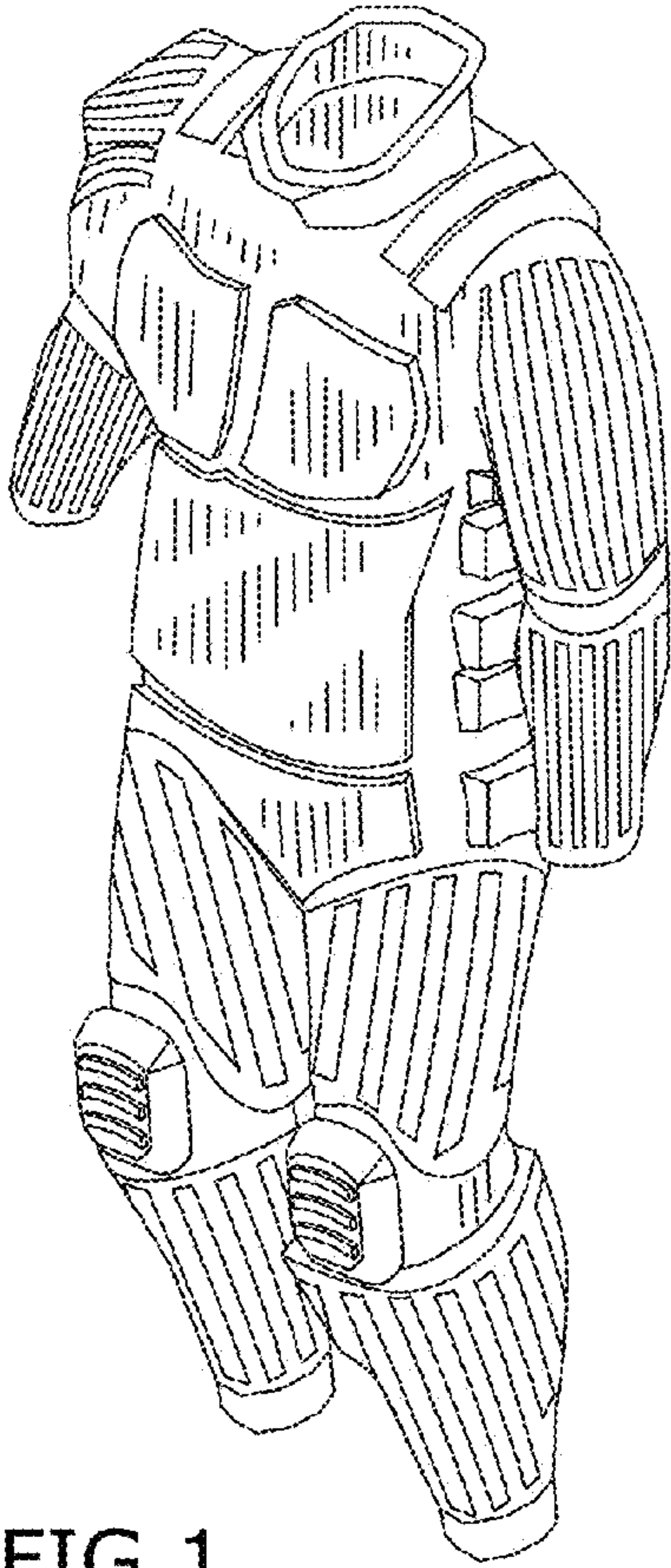


FIG. 1

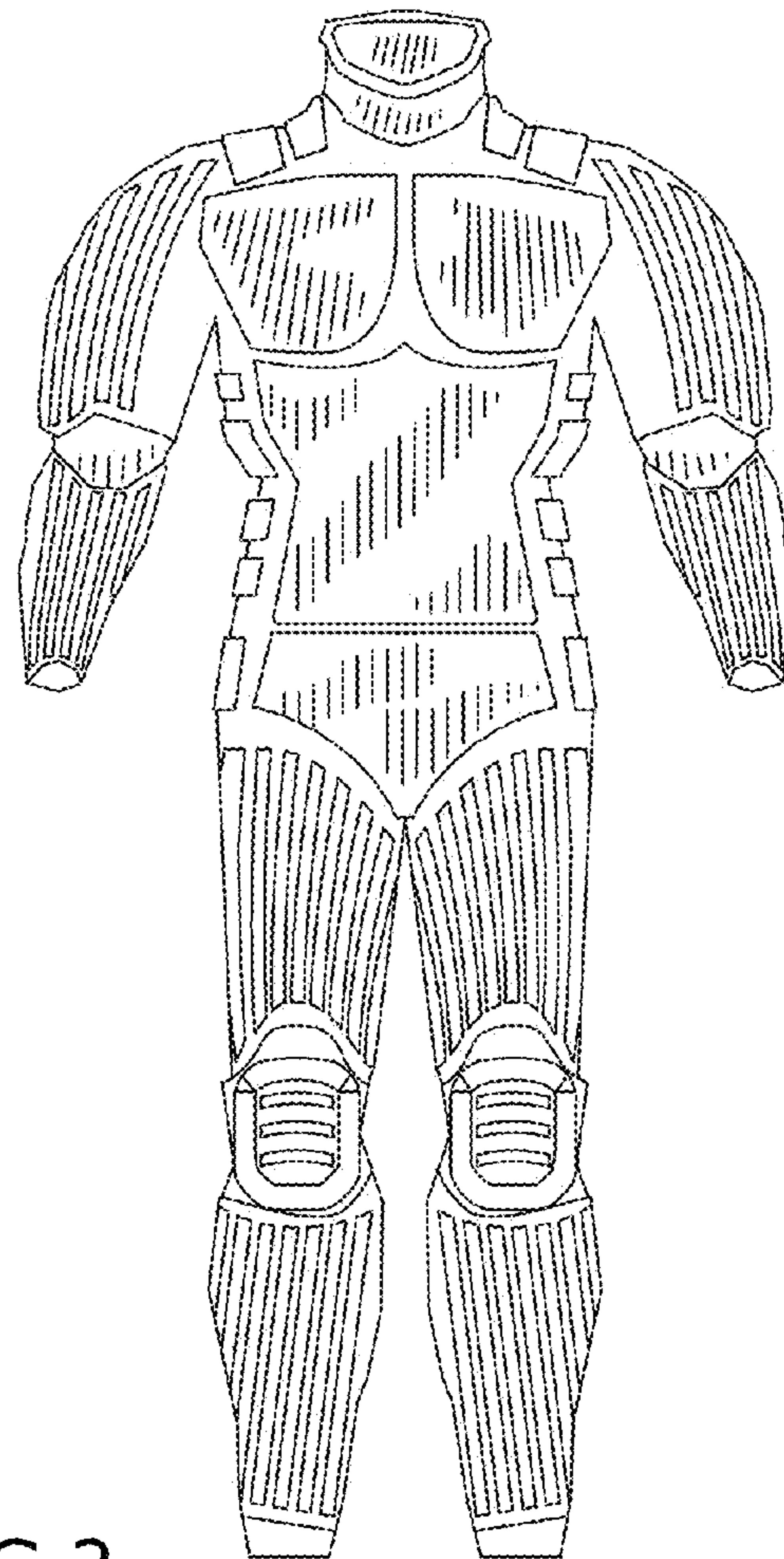


FIG. 2

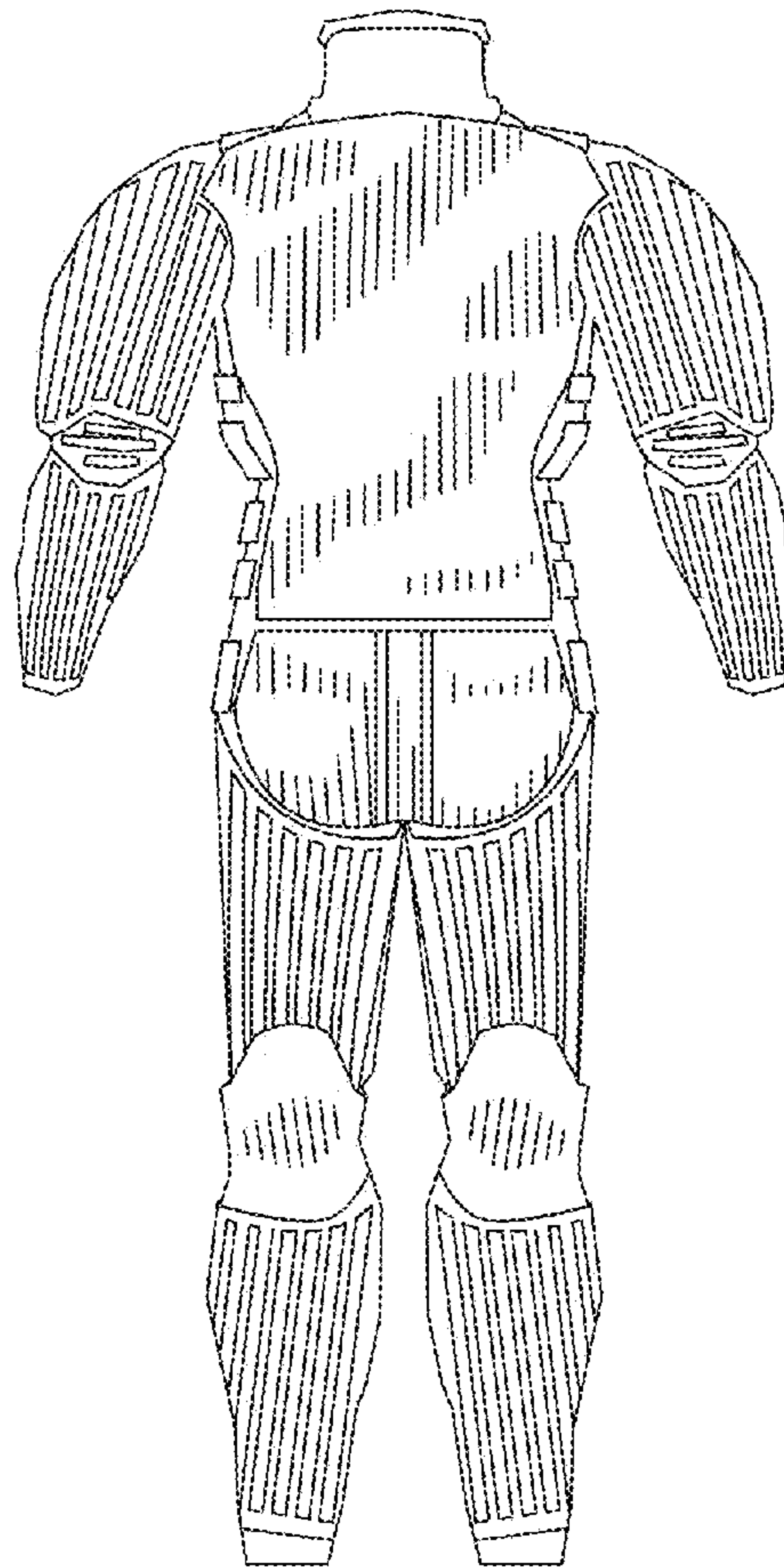


FIG. 3

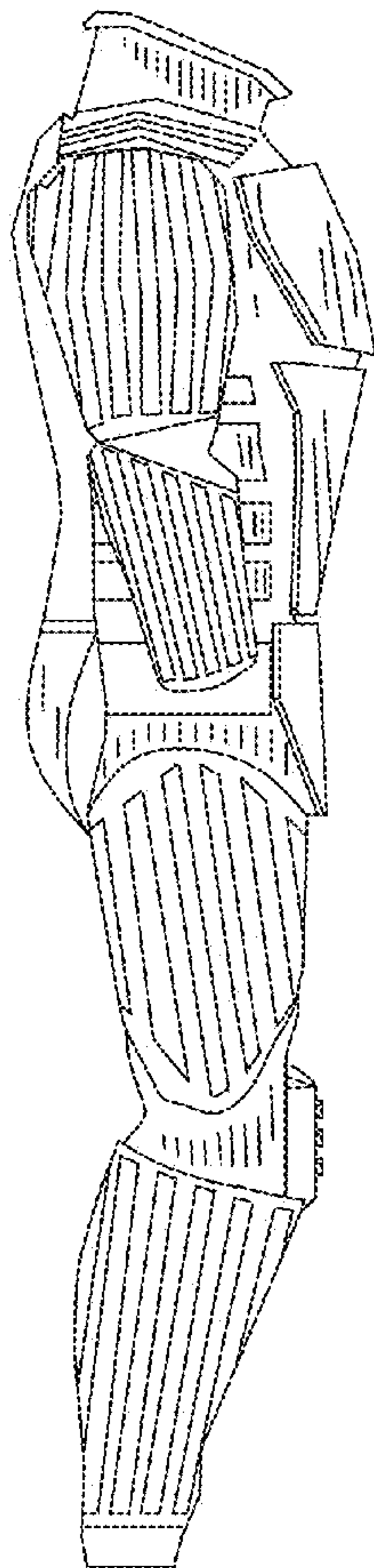


FIG. 4

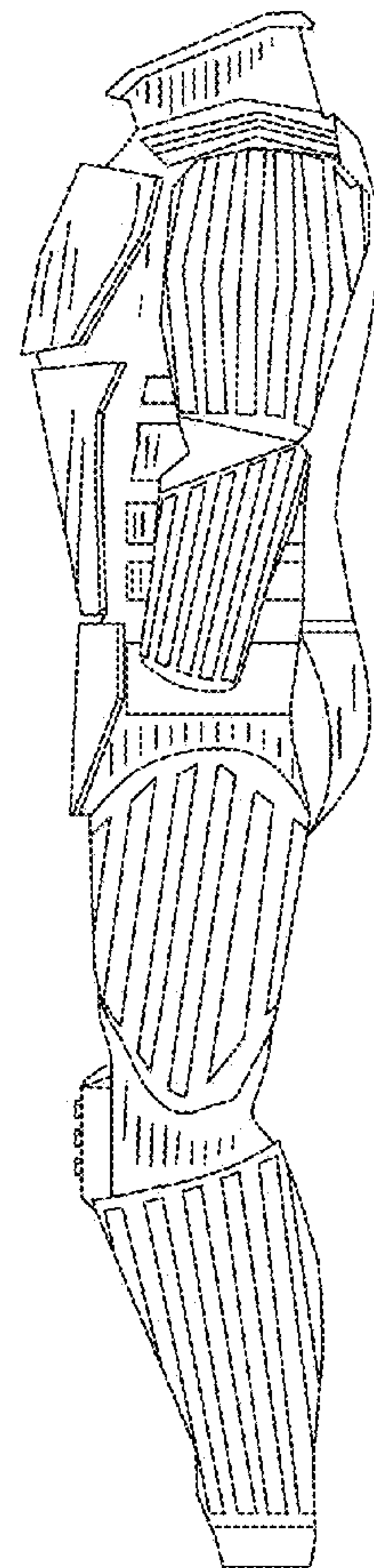


FIG. 5

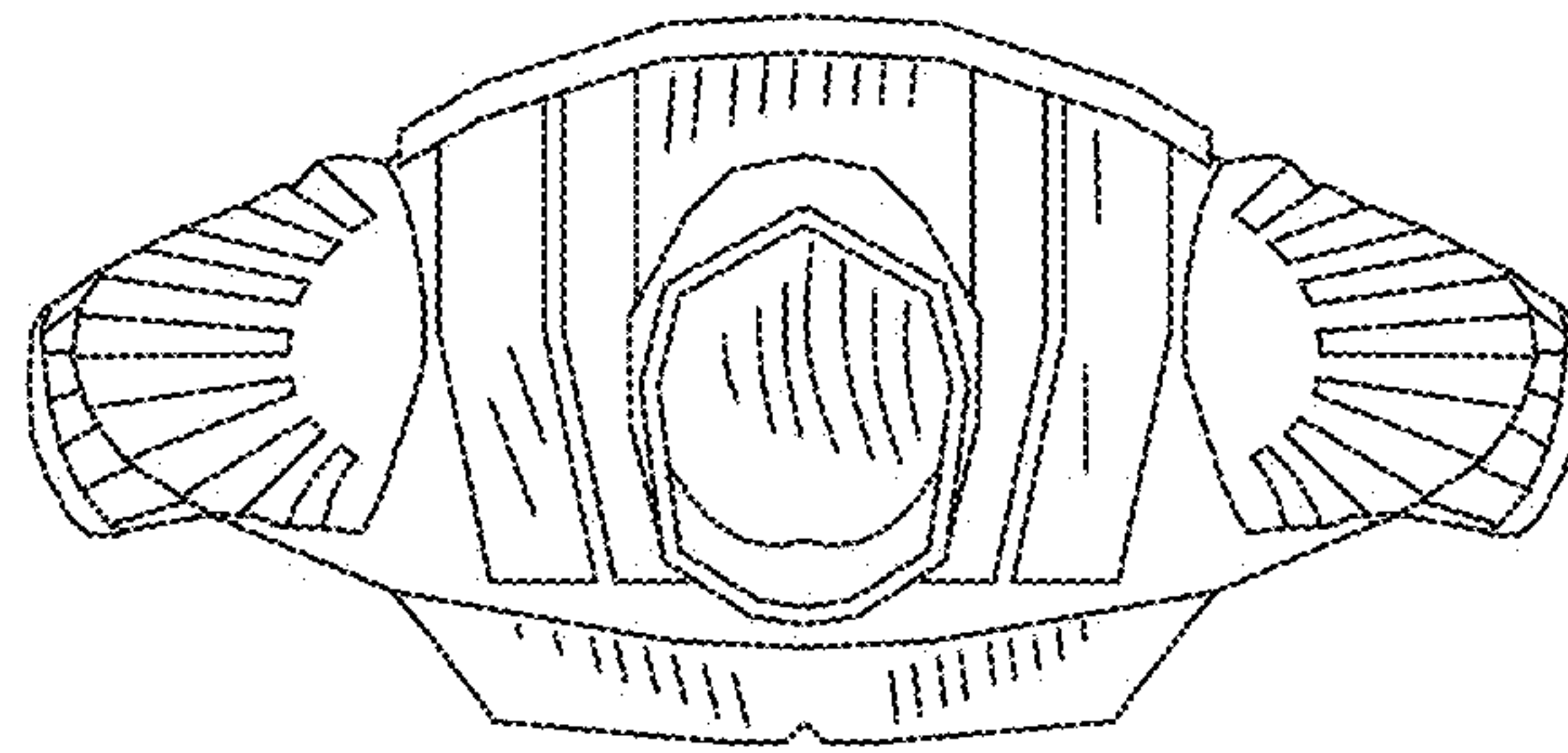


FIG. 6

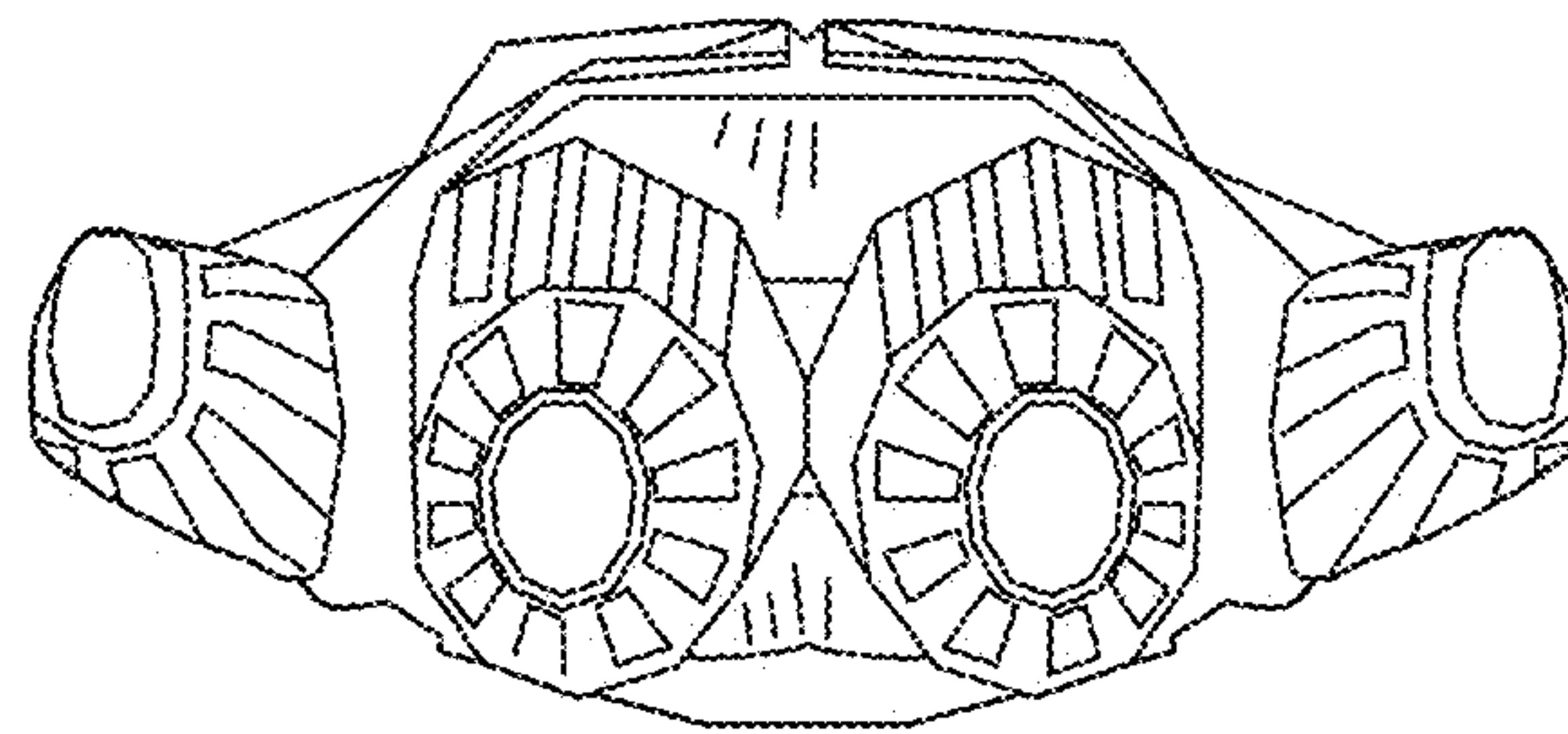


FIG. 7