



US00D755439S

(12) **United States Design Patent**
Helou

(10) **Patent No.:** **US D755,439 S**

(45) **Date of Patent:** **** May 3, 2016**

(54) **WATER PIPE**

(71) Applicant: **LA MONTAGNE VERTE**, Paris (FR)

(72) Inventor: **Badri Helou**, Puteaux (FR)

(73) Assignee: **LA MONTAGNE VERTE**, Paris (FR)

(**) Term: **14 Years**

(21) Appl. No.: **29/523,245**

(22) Filed: **Apr. 8, 2015**

(30) **Foreign Application Priority Data**

Oct. 14, 2014 (EM) 002556704-0001

(51) **LOC (10) Cl.** **27-02**

(52) **U.S. Cl.**
USPC **D27/162**

(58) **Field of Classification Search**
USPC D27/162, 163; 131/328–330, 173, 226
CPC A24F 1/30
See application file for complete search history.

(56) **References Cited**

U.S. PATENT DOCUMENTS

D539,978 S * 4/2007 Kassir D27/162
D554,797 S * 11/2007 Kassir D27/162

7,827,995 B2 * 11/2010 Chaoui A24F 1/30
131/173

D742,587 S * 11/2015 Masri D27/162
2013/0220350 A1 * 8/2013 Zakayan A24F 9/00
131/257

* cited by examiner

Primary Examiner — Susan Bennett Hattan

Assistant Examiner — Janice Hallmark

(74) *Attorney, Agent, or Firm* — Millen, White, Zelano & Branigan, P.C.; William F. Nixon

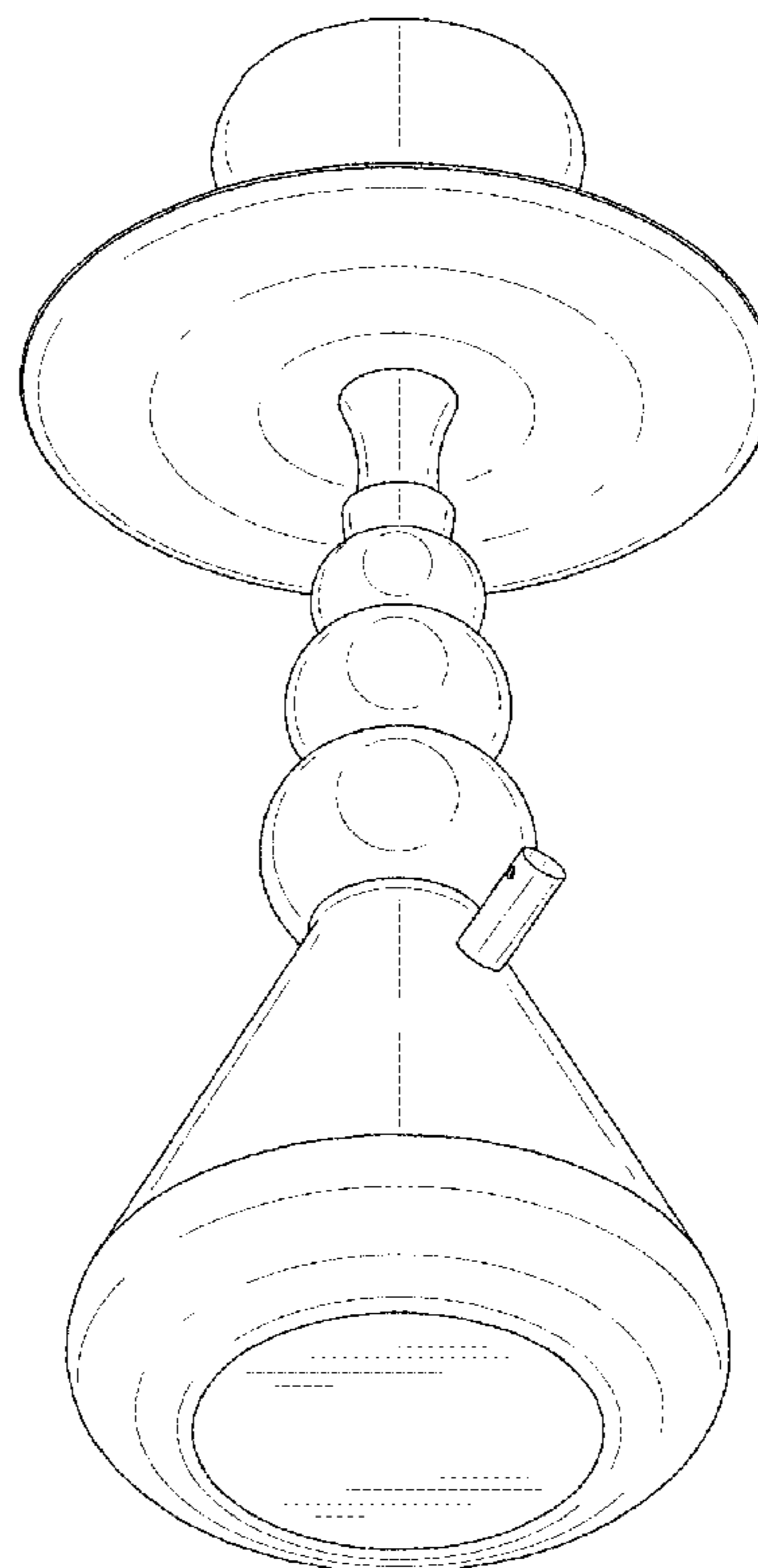
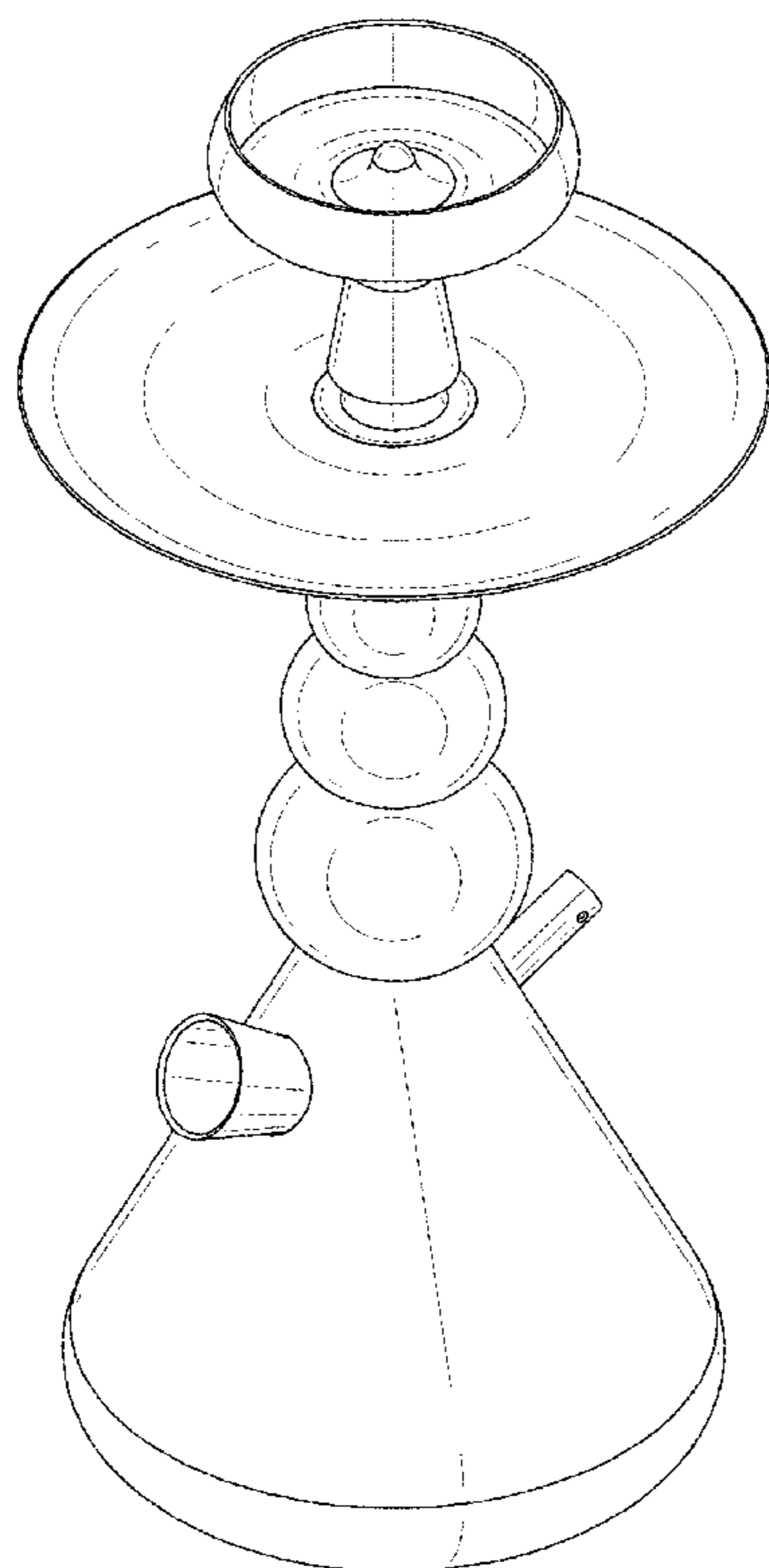
(57) **CLAIM**

The ornamental design for a water pipe, as shown and described.

DESCRIPTION

FIG. 1 is a top-front left side perspective view of the water pipe;
FIG. 2 is a bottom left side view thereof;
FIG. 3 is a front view thereof;
FIG. 4 is a back view thereof;
FIG. 5 is a right side view thereof;
FIG. 6 is a left side view thereof;
FIG. 7 is a top view thereof; and,
FIG. 8 is a bottom view thereof.

1 Claim, 8 Drawing Sheets



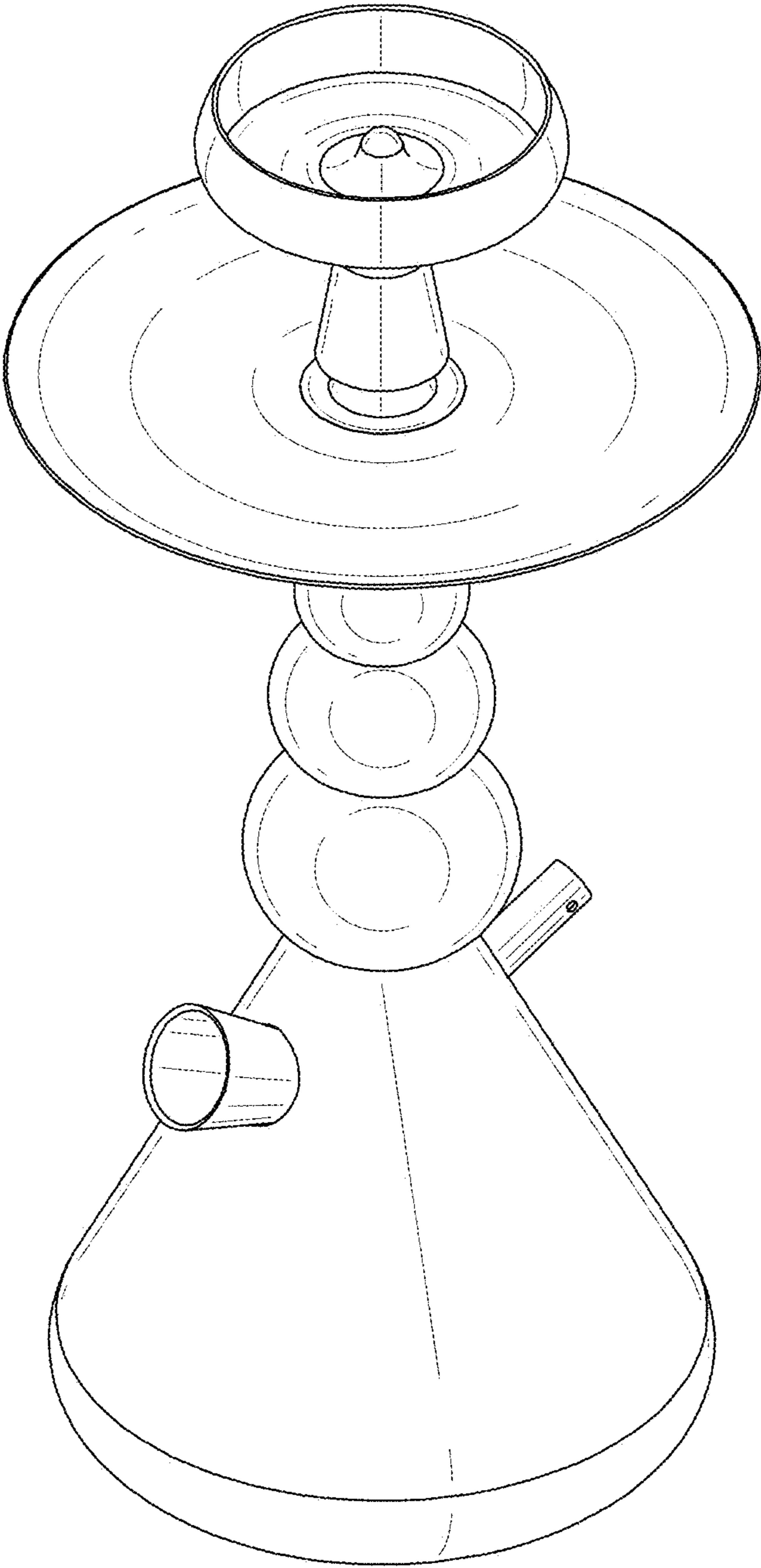


FIG. 1

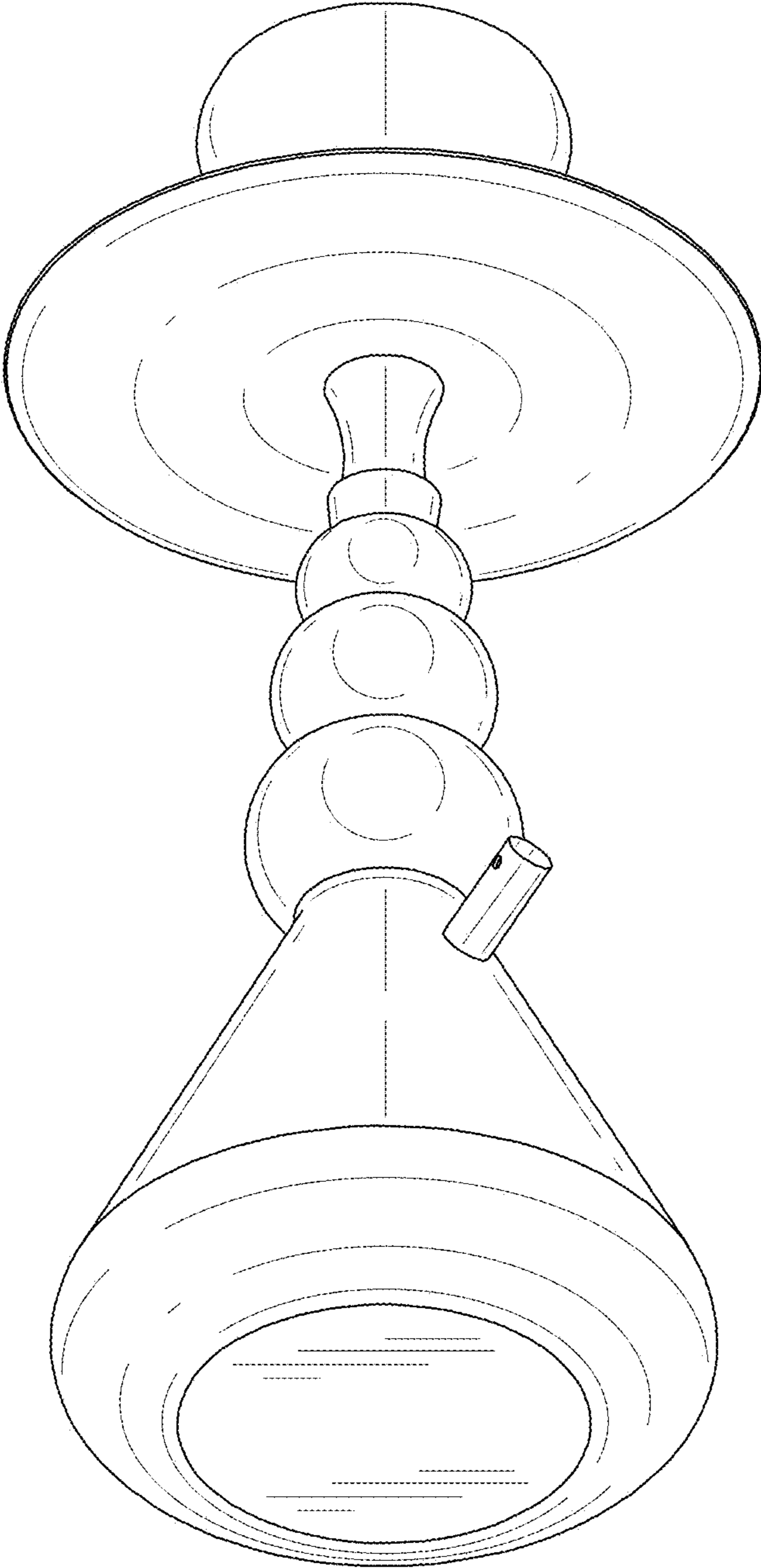


FIG.2

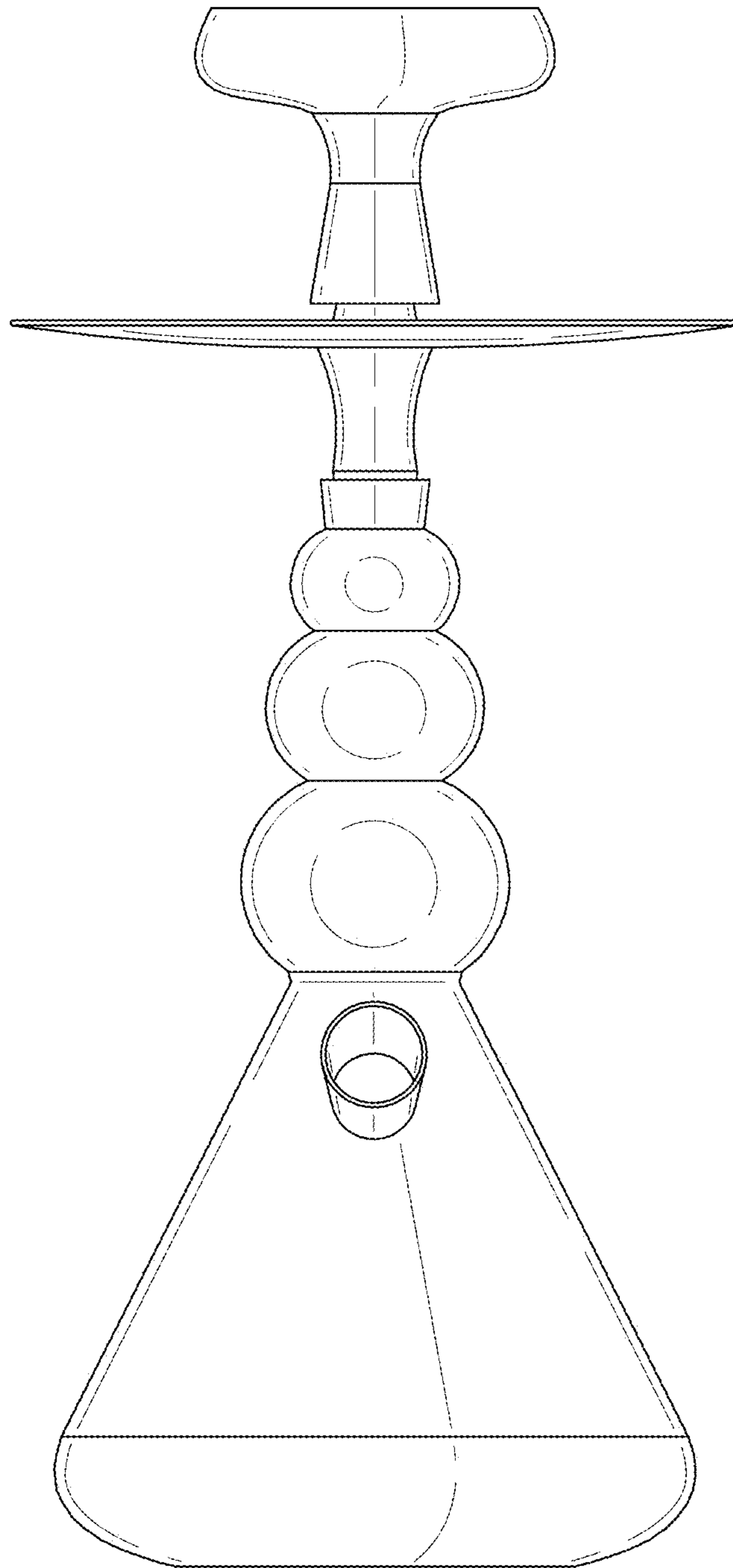


FIG.3

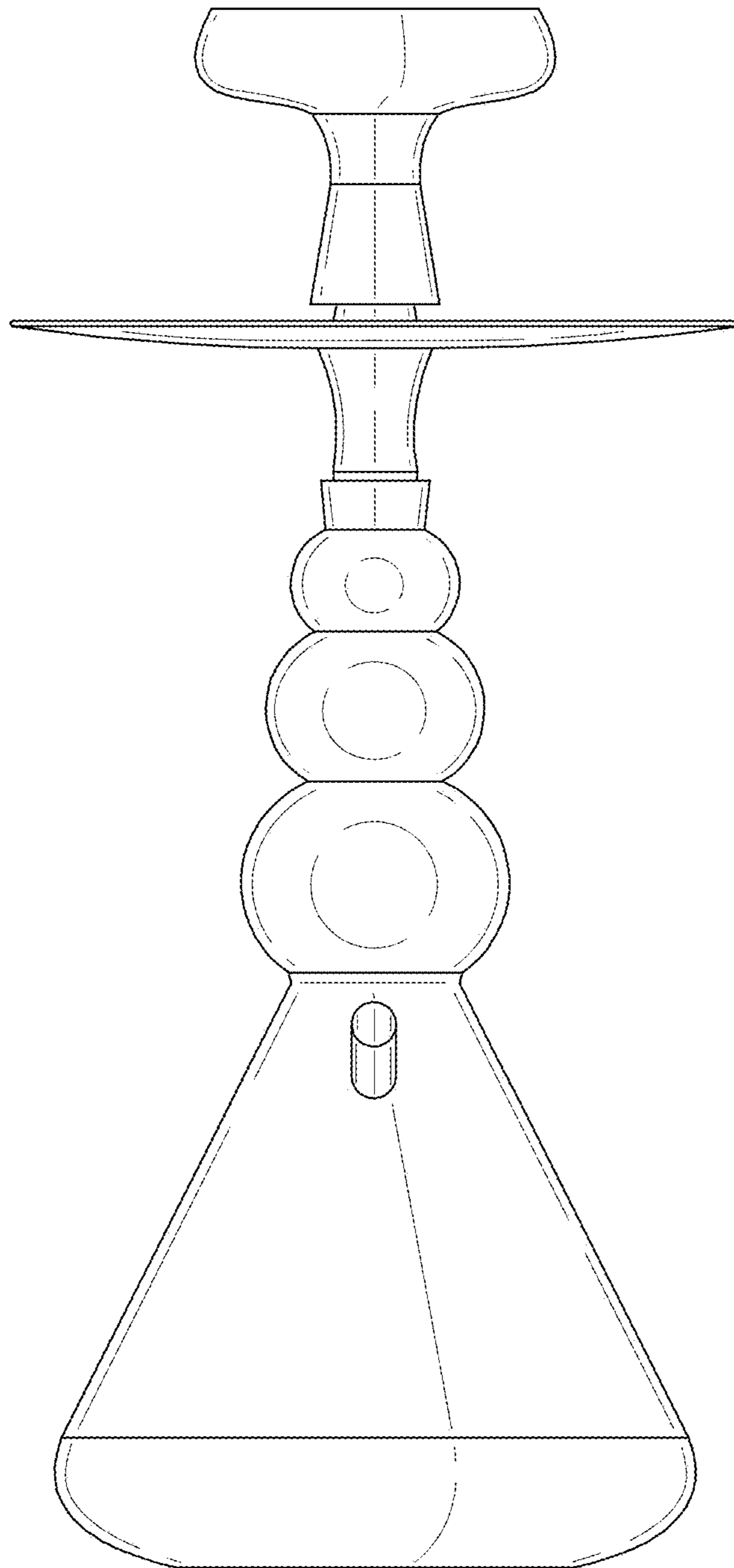


FIG.4

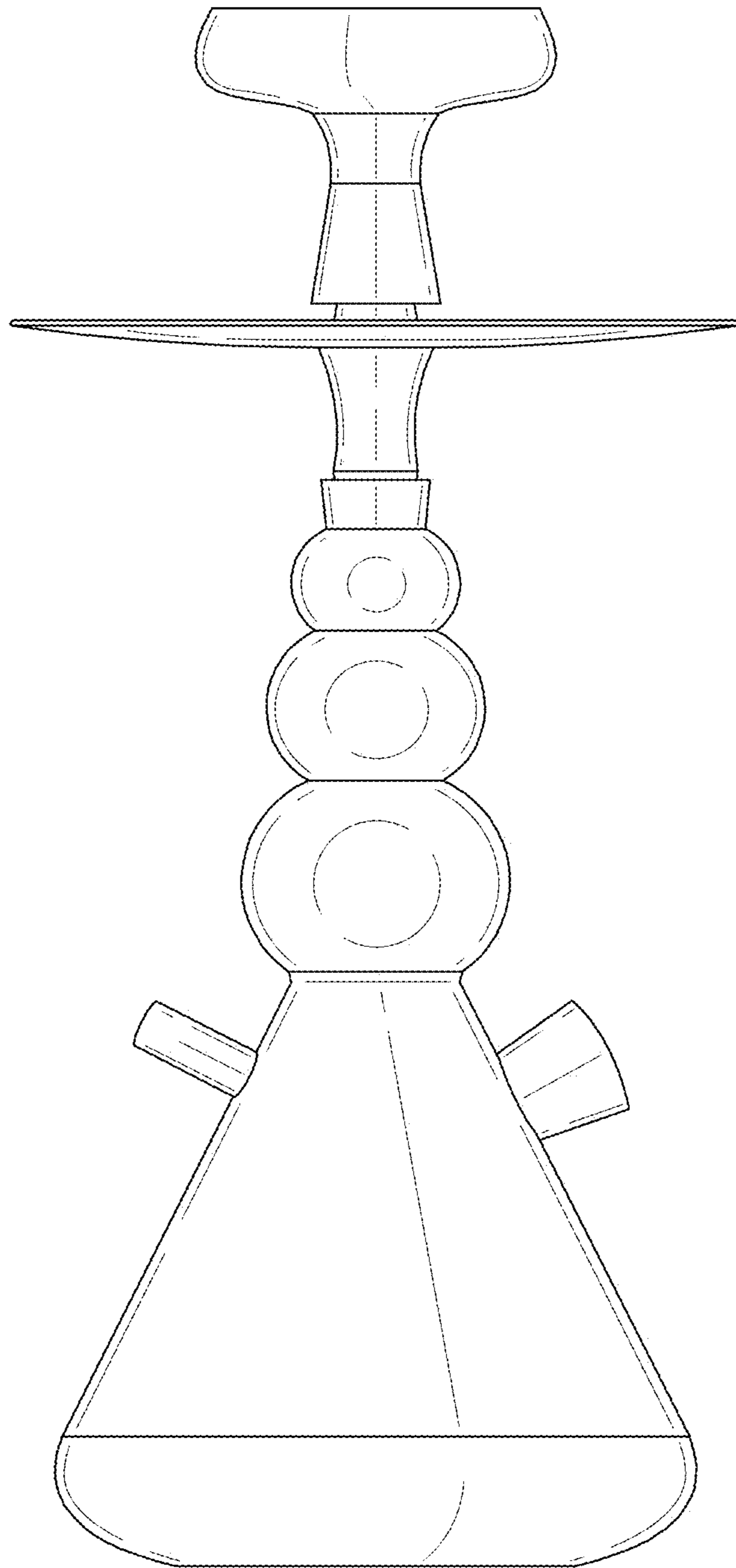


FIG. 5

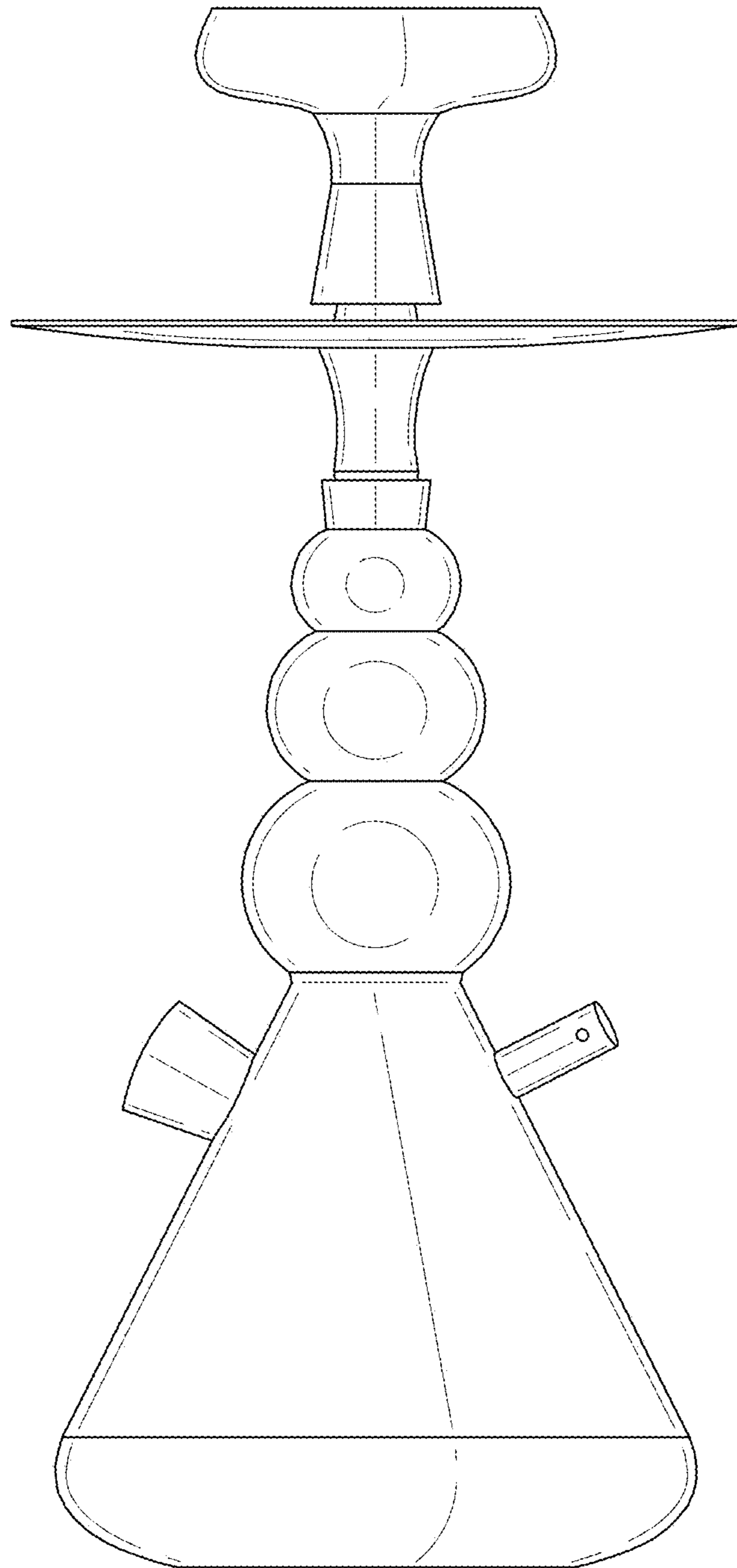


FIG. 6

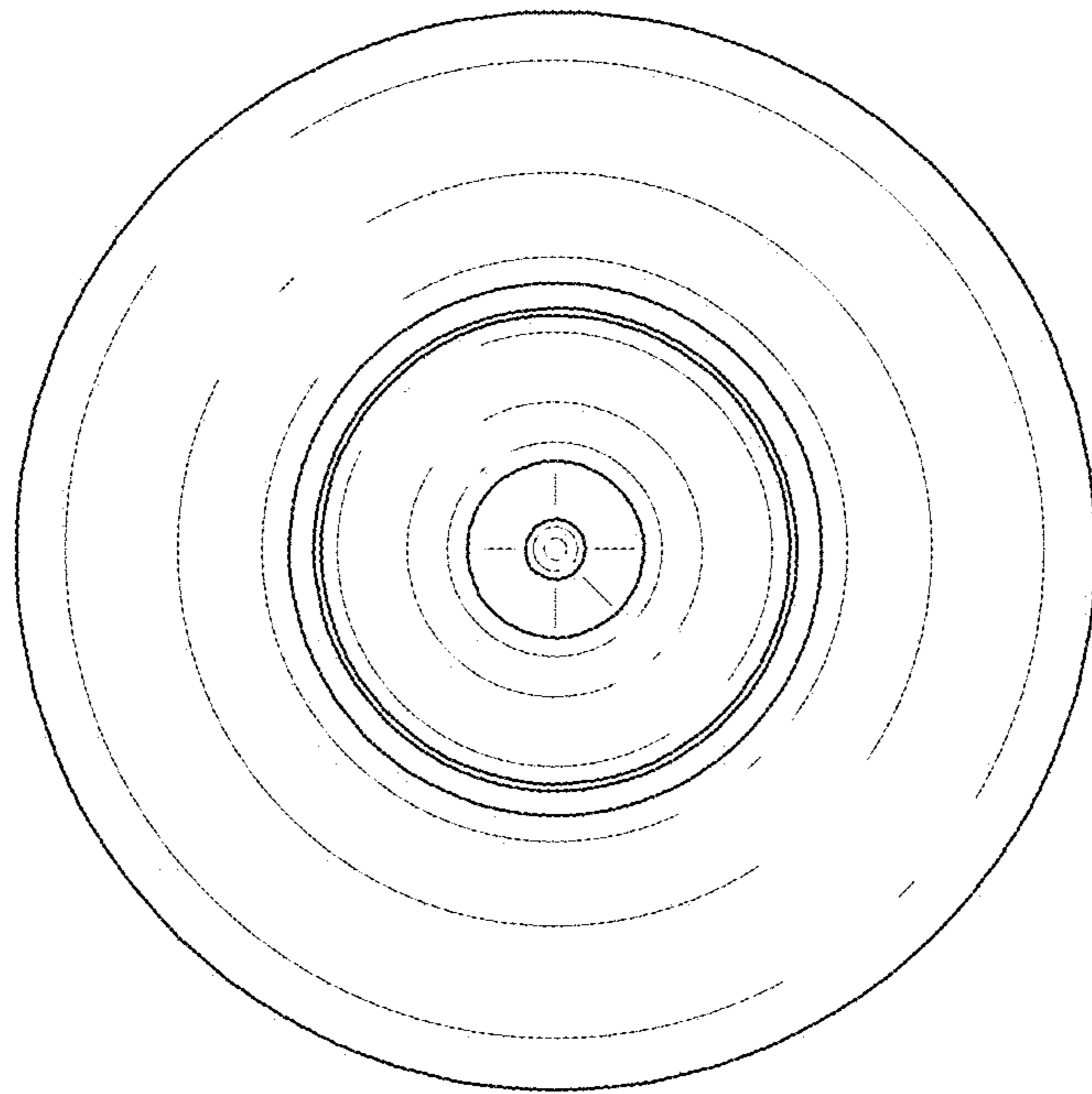


FIG. 7

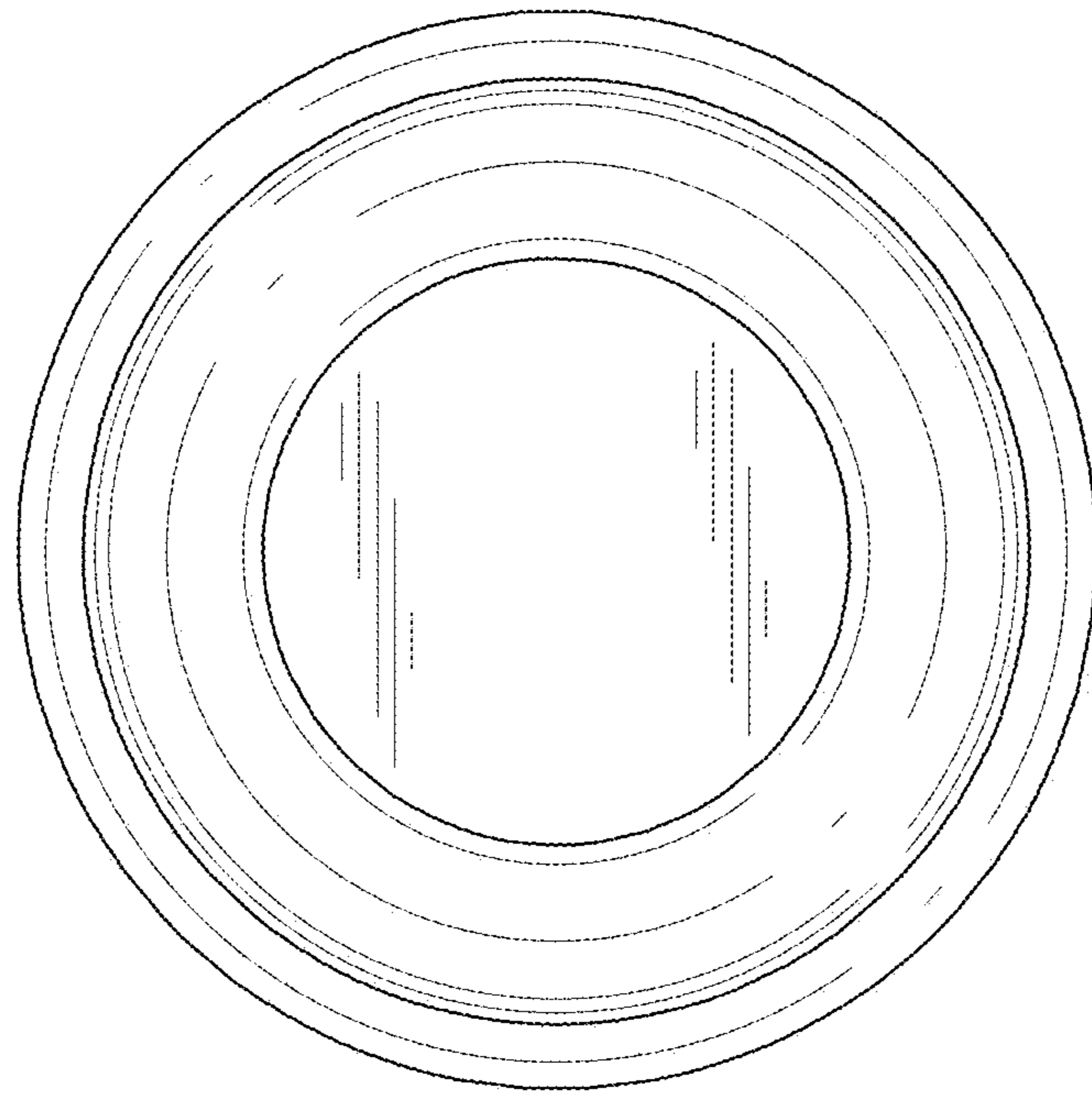


FIG.8