



US00D755437S

(12) **United States Design Patent**
Jackson et al.

(10) **Patent No.:** **US D755,437 S**
(45) **Date of Patent:** **** May 3, 2016**

(54) **LUMINAIRE END CAP**
(71) Applicant: **Hubbell Incorporated**, Shelton, CT (US)
(72) Inventors: **Duncan Dalgleish Paul Jackson**, Chicago, IL (US); **Aidan Jamison**, Brooklyn, NY (US); **Andrew Mark Black**, London (GB); **Niels Denekamp**, London (GB); **Eoin Billings**, London (GB); **David John Rector**, Greenville, SC (US)

1,994,937 A * 3/1935 Berger G09F 7/02 40/124.5
D148,695 S * 2/1948 Guth et al. D26/76
D149,026 S * 3/1948 Schwartz et al. D26/76
D150,735 S * 8/1948 Schwartz et al. D26/78
2,474,308 A * 6/1949 Franck F21S 8/04 362/224
2,490,191 A * 12/1949 Baker F21S 8/04 362/223
2,534,182 A * 12/1950 Schwartz F21S 8/031 362/221

(Continued)

OTHER PUBLICATIONS

(73) Assignee: **Hubbell Incorporated**, Shelton, CT (US)

Liteweave Linear Luminaire, image post date Sep. 7, 2015, site visited Sep. 16, 2015, (online), <<http://web.archive.org/web/20150907024901/http://www.billingsjackson.com/projects/lighting-and-controls/liteweave-linear-luminaire/>>.*

(**) Term: **14 Years**

(Continued)

(21) Appl. No.: **29/492,444**

(22) Filed: **May 30, 2014**

Primary Examiner — Kevin Rudzinski

Assistant Examiner — Sean D Lough

(74) *Attorney, Agent, or Firm* — Michael Best & Friedrich, LLP

Related U.S. Application Data

(63) Continuation-in-part of application No. 29/491,793, filed on May 23, 2014.

(51) **LOC (10) Cl.** **26-99**

(52) **U.S. Cl.**
USPC **D26/113**

(58) **Field of Classification Search**
USPC D10/18, 21, 24, 25, 27, 28, 46, 93, 104, D10/106, 113, 116.1, 121; D26/118, 120, D26/124, 138

CPC A63H 30/04; G05G 2009/04748; H04B 1/1027; F21S 8/04; F21S 2/005; F21S 2/00; B29D 21/04; F21V 15/015; F21V 27/00; F21V 21/14; F21V 21/005; F21Y 2103/00

See application file for complete search history.

(56) **References Cited**

U.S. PATENT DOCUMENTS

D31,762 S * 10/1899 Locke D25/103
D87,355 S * 7/1932 Pospisil D26/72

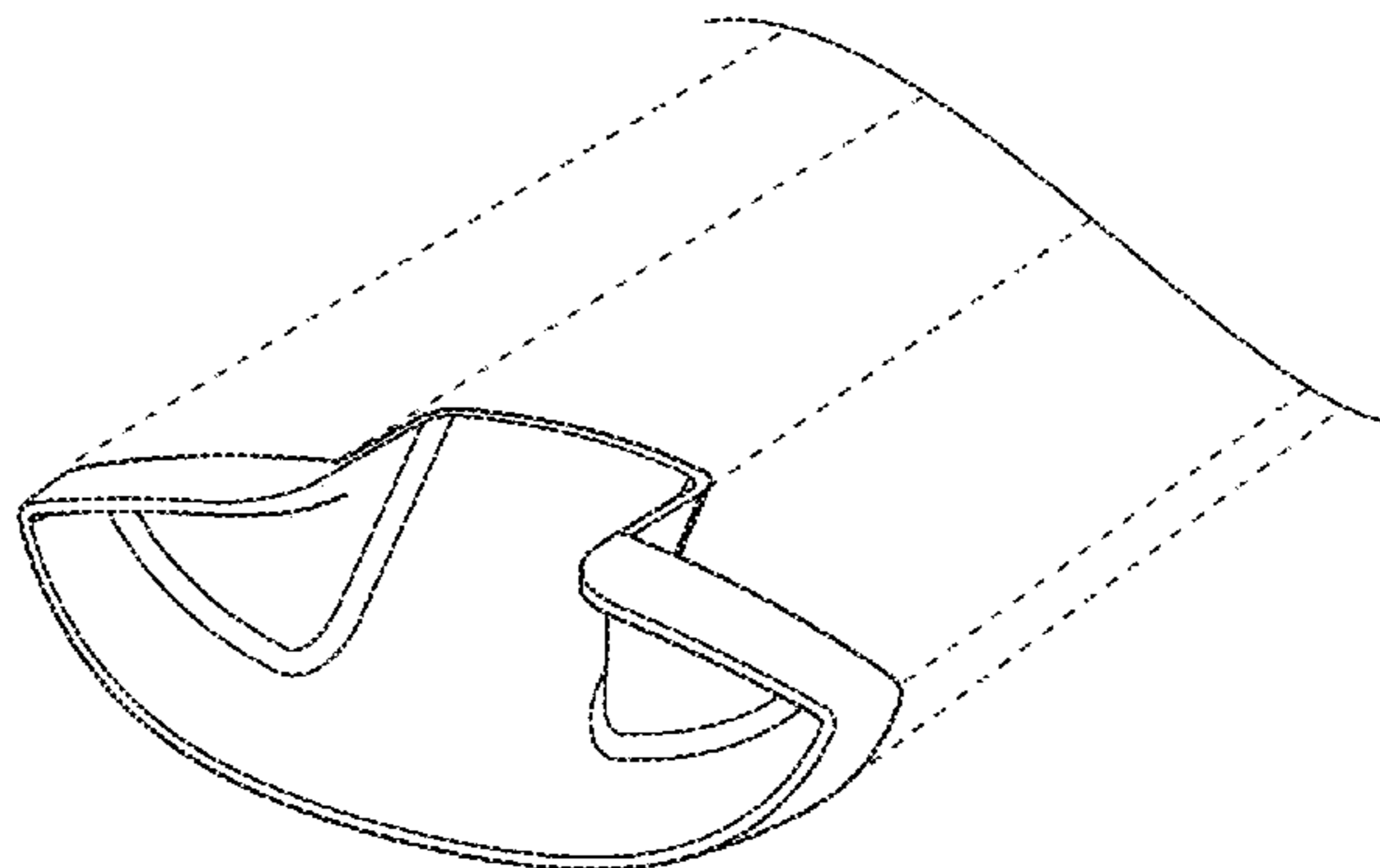
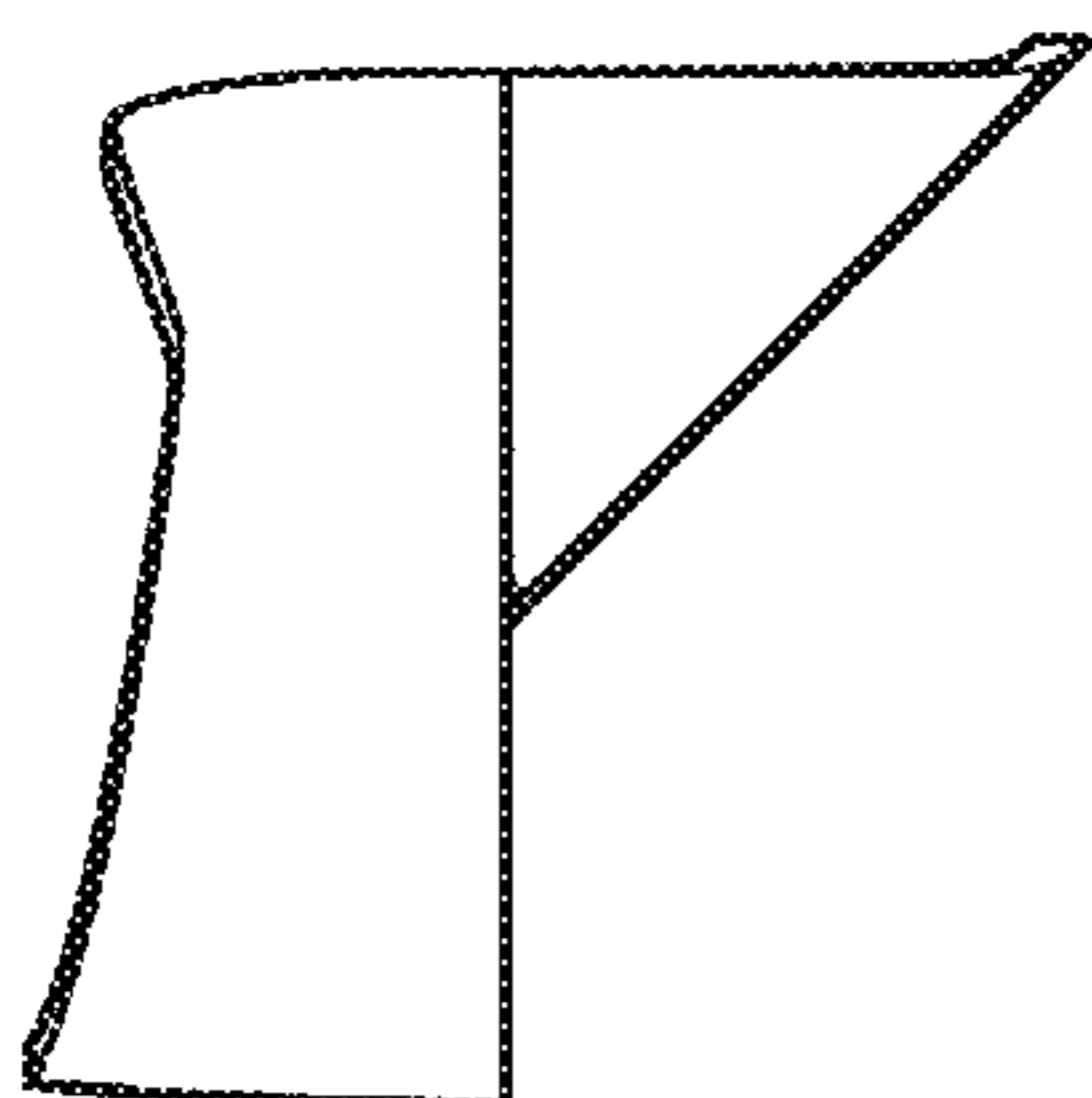
(57) **CLAIM**

The ornamental design for the luminaire end cap, as shown and described.

DESCRIPTION

FIG. 1 is a front perspective view of the design; FIG. 2 is a front elevation view thereof; FIG. 3 is a rear elevation view thereof; FIG. 4 is a top plan view thereof; FIG. 5 is a bottom plan view thereof; FIG. 6 is a side elevation view thereof; and, FIG. 7 is perspective view of the luminaire end cap connected to a portion of a luminaire shown as environment with a symbolic break that forms no part of the claimed design. The broken lines shown in FIG. 7 illustrate portions of the luminaire and form no part of the claimed design.

1 Claim, 4 Drawing Sheets



(56)

References Cited

U.S. PATENT DOCUMENTS

2,535,840 A * 12/1950 Coyle B65D 43/0212
220/794
2,694,775 A * 11/1954 Florence F21S 8/04
362/222
D199,687 S * 12/1964 Meyer et al. D26/76
D257,586 S * 12/1980 Heenan D10/113.1
D265,765 S * 8/1982 Hawkins D20/42
D300,471 S * 3/1989 Szymanek D26/76
D300,874 S * 4/1989 Szymanek D26/76
D306,771 S * 3/1990 Gecchelin D25/119
D306,772 S * 3/1990 De'Armond D25/136
5,464,232 A * 11/1995 Chizmadia B23B 31/16275
269/262
D379,548 S * 5/1997 Johnson D26/128
D380,853 S * 7/1997 Johnson D26/128
5,658,066 A * 8/1997 Hirsch F21S 4/003
362/219
5,681,128 A * 10/1997 Morgan E01F 9/06
156/330
5,746,502 A * 5/1998 Huang F21S 8/033
362/223
D397,481 S * 8/1998 Schafer D26/76
D399,329 S * 10/1998 Compton D26/76
D419,258 S * 1/2000 Pfister D26/87
D421,505 S * 3/2000 Hastings D26/76
D433,177 S * 10/2000 Lewis D26/113
D434,175 S * 11/2000 Fahmian D26/113
D434,519 S * 11/2000 Herst D26/113
D435,131 S * 12/2000 Szymanek D26/75
D437,959 S * 2/2001 Lewis D26/76
D445,214 S * 7/2001 Lewis D26/113
D466,244 S * 11/2002 Lewis D26/76
6,530,674 B2 * 3/2003 Grierson F21V 21/005
362/219
6,769,784 B2 * 8/2004 Yaphe F21S 2/00
362/147
D503,821 S * 4/2005 Waldmann D26/78
6,984,055 B2 * 1/2006 McCarthy F21S 2/00
362/219
6,984,095 B2 * 1/2006 Johnson B60P 7/0807
410/101
D544,627 S * 6/2007 Quintal D26/76
D563,588 S * 3/2008 Mullen D26/85

D567,425 S * 4/2008 Yates D26/76
D575,673 S * 8/2008 Pontaoe D11/216
D586,030 S * 2/2009 Genova D26/85
D587,834 S * 3/2009 Moritz D26/76
D589,638 S * 3/2009 Collins D26/72
D591,440 S * 4/2009 Maxik D26/72
D597,701 S * 8/2009 Tran D26/76
D598,149 S * 8/2009 Leslie D26/37
D610,294 S * 2/2010 Theusch D26/76
D612,974 S * 3/2010 Guercio D26/85
D613,901 S * 4/2010 Silver D26/152
D617,935 S * 6/2010 Miletich D26/76
D620,181 S * 7/2010 Sanoner D26/85
D622,441 S * 8/2010 Warner D26/138
D627,914 S * 11/2010 Couture D26/76
D627,916 S * 11/2010 Butteris D26/85
D636,525 S * 4/2011 Chan D26/118
D642,987 S * 8/2011 Sculler D13/155
D647,425 S * 10/2011 Kolasa D11/218
D655,448 S * 3/2012 Dykstra D26/118
D658,803 S * 5/2012 Maxik et al. D26/87
D668,383 S * 10/2012 Schieffelin D26/142
D671,855 S * 12/2012 Wiegel D10/113.1
D674,964 S * 1/2013 Bailey D26/118
8,870,414 B2 * 10/2014 Goeckel F21V 7/00
362/191
D717,308 S * 11/2014 Knoll D14/453
8,882,298 B2 * 11/2014 Gershaw F21V 5/043
362/217.14
8,960,962 B2 * 2/2015 McCane F21V 3/0445
362/217.1
8,974,085 B2 * 3/2015 Loraing F21S 2/005
362/249.14
D728,140 S * 4/2015 Lay D26/76
9,086,521 B2 * 7/2015 Rinehart F21V 5/002
9,103,508 B2 * 8/2015 Shimizu F21K 9/30
9,121,584 B2 * 9/2015 Santoro F21S 8/06
9,133,989 B2 * 9/2015 Cochran F21K 9/54

OTHER PUBLICATIONS

Litecontrol Liteweave linear indirect-direct, image post date Feb. 25, 2015, site visited Sep. 17, 2015, (online), <<http://s36.a2zinc.net/clients/pennwell/ledawards2015/public/Content.aspx?ID=50586&sortMenu=104000>>.*

* cited by examiner

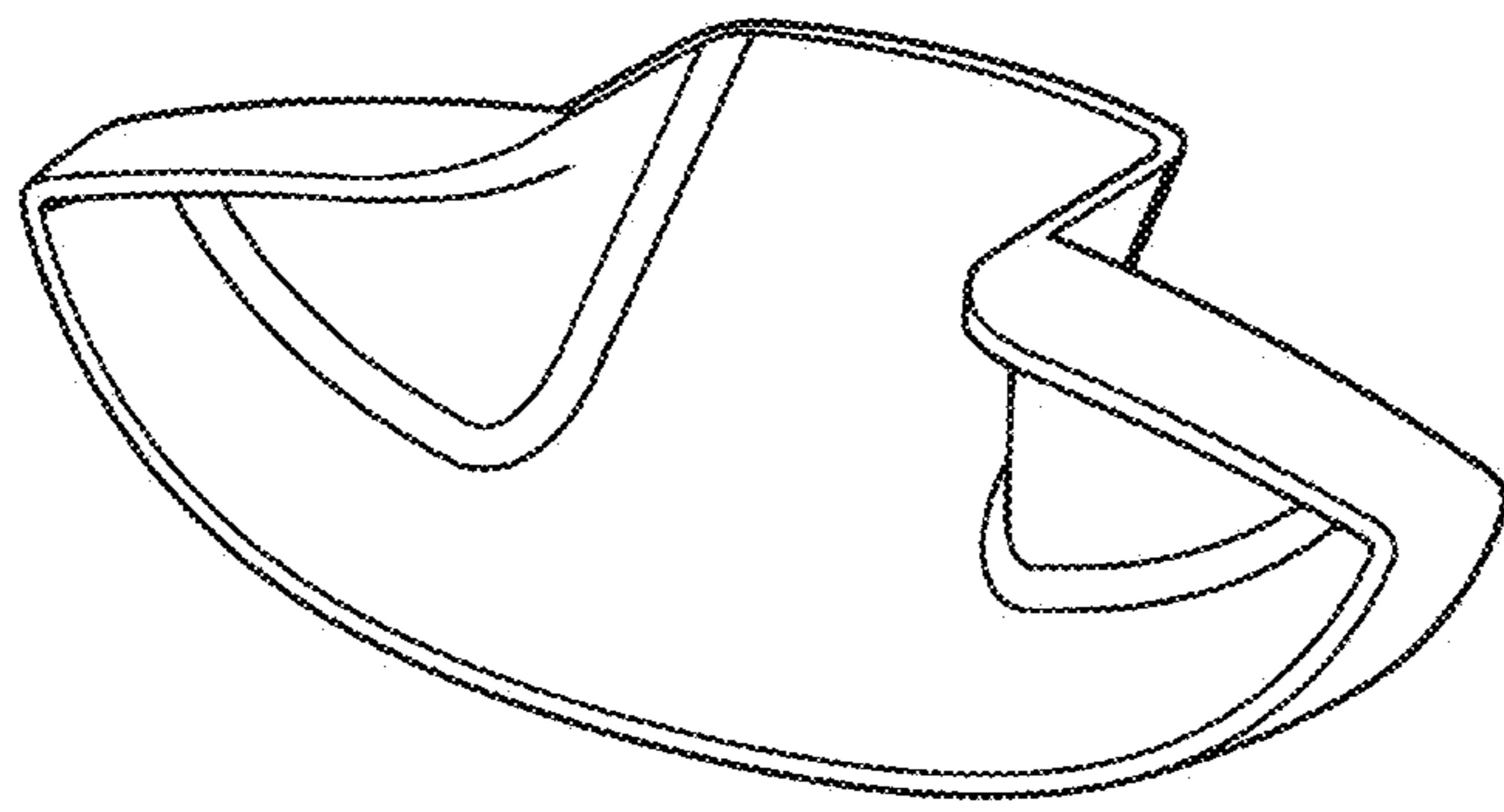


FIG. 1

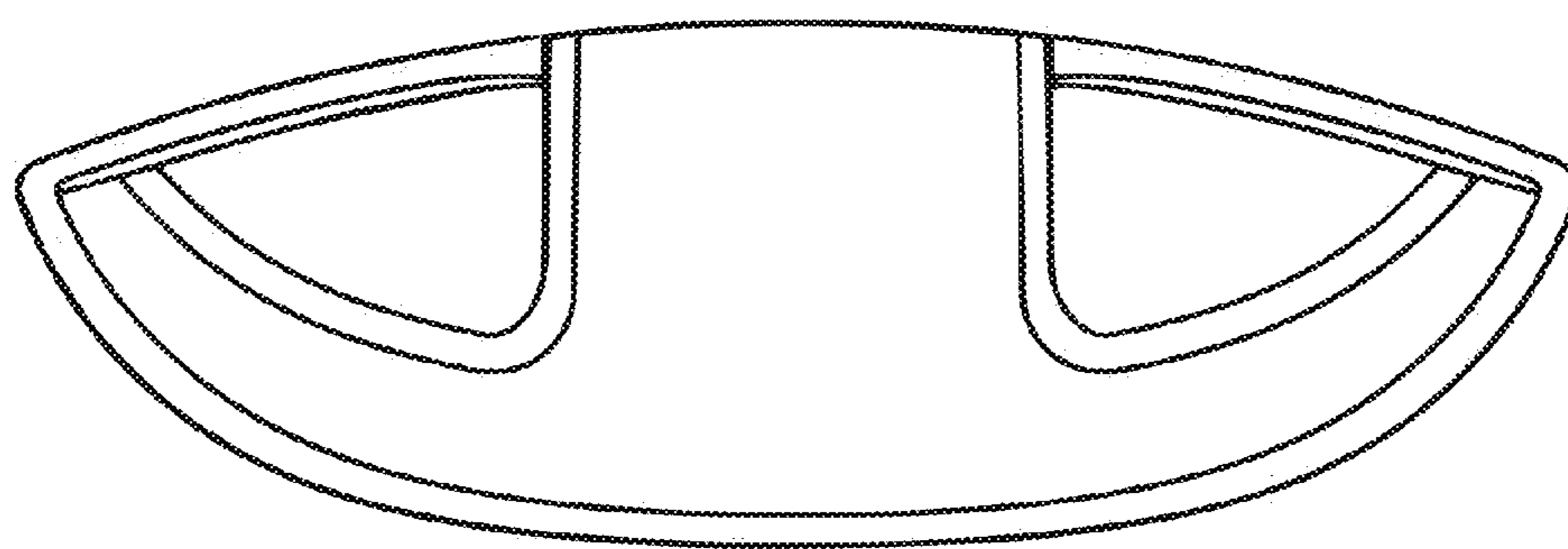


FIG. 2

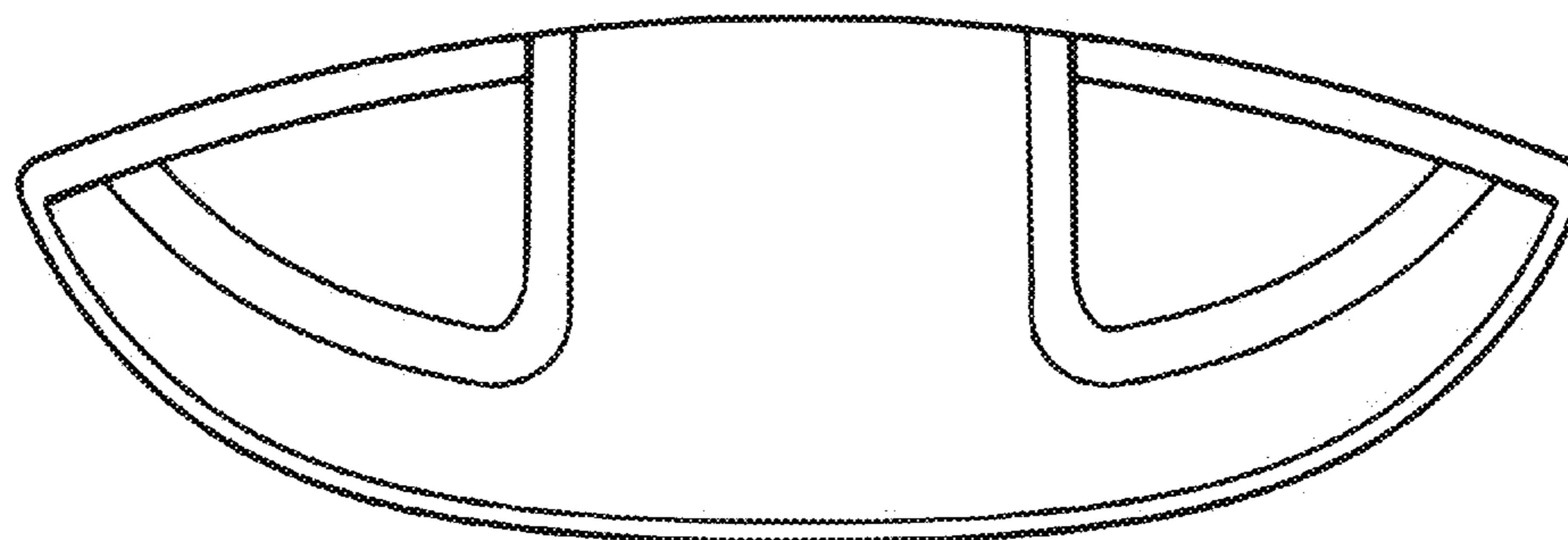


FIG. 3

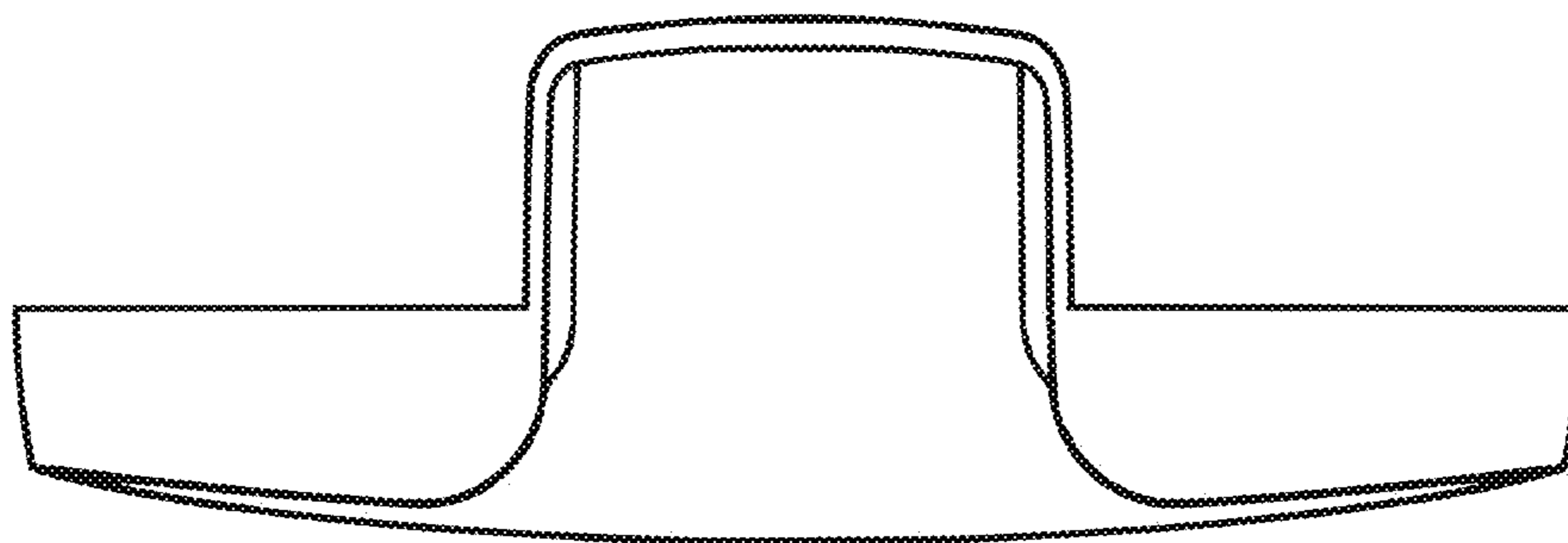


FIG. 4

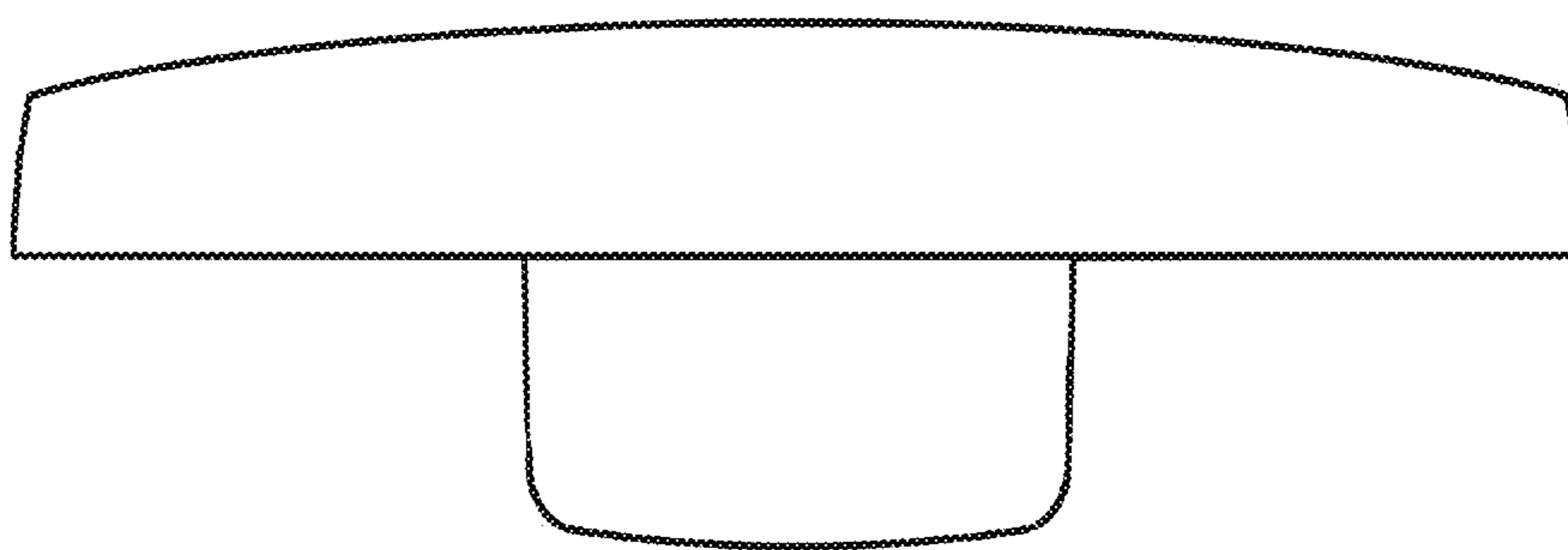


FIG. 5

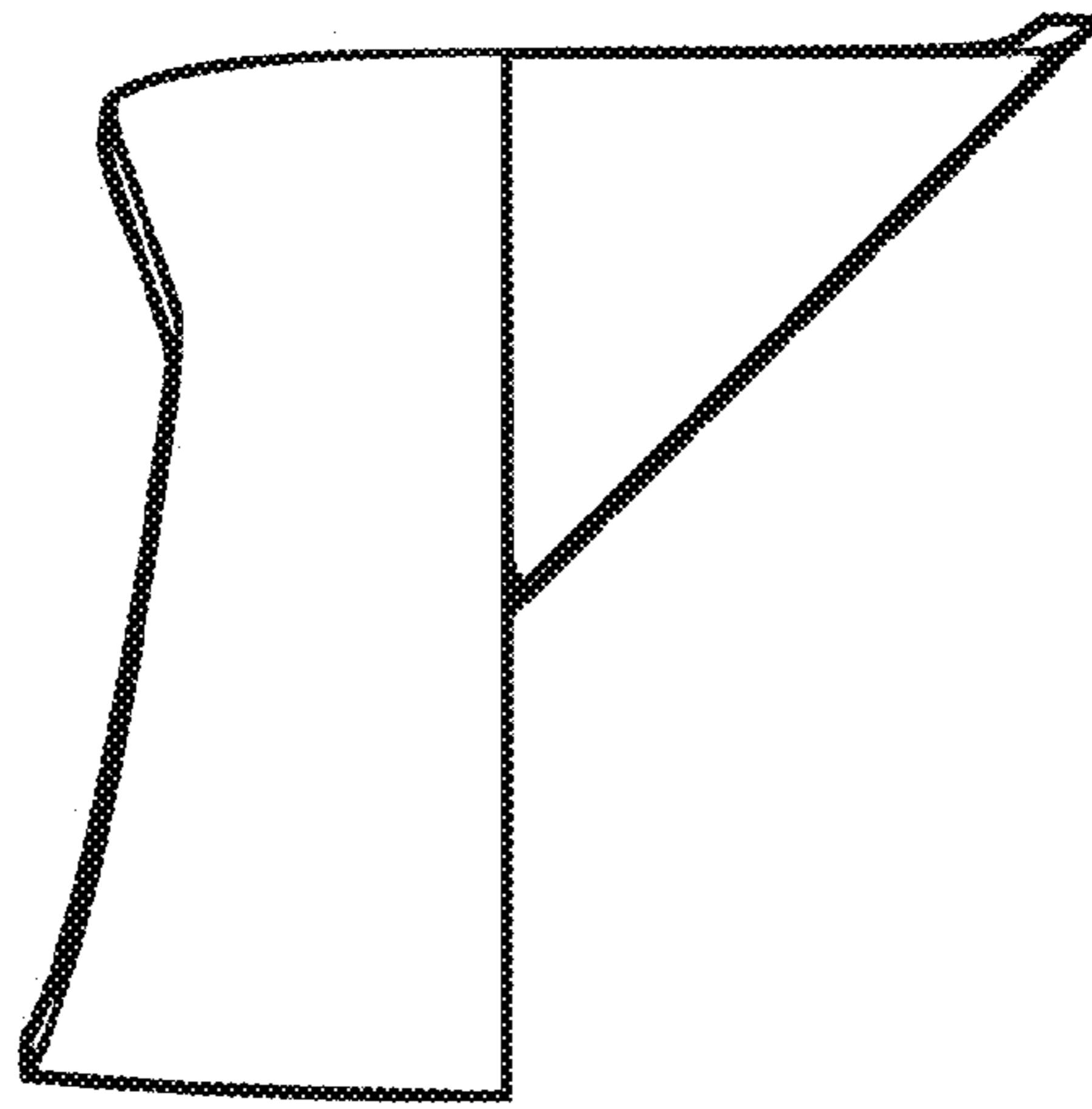


FIG. 6

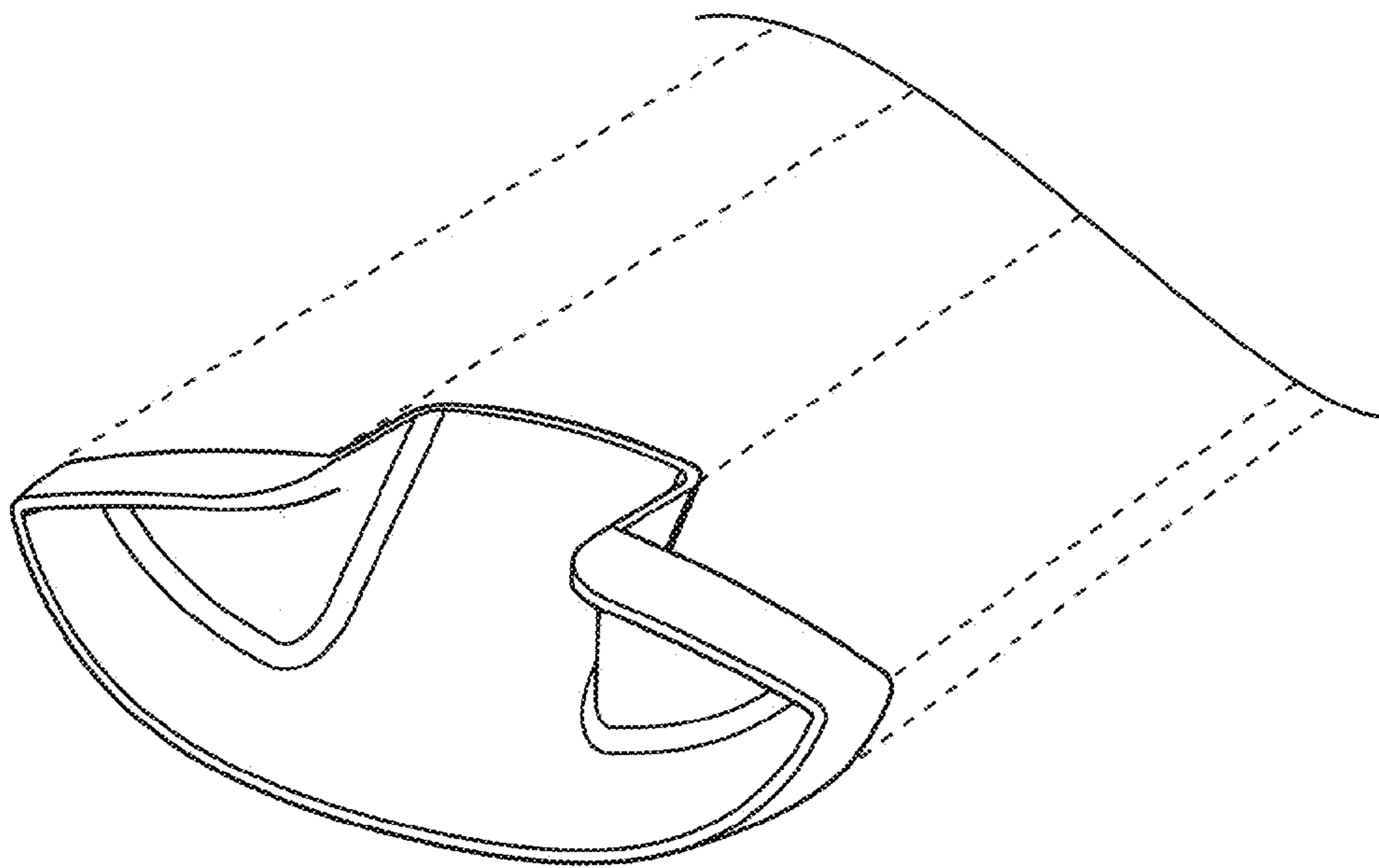


FIG. 7