



US00D755436S

(12) **United States Design Patent**  
**Jackson et al.**

(10) **Patent No.:** **US D755,436 S**

(45) **Date of Patent:** **\*\* May 3, 2016**

(54) **LUMINAIRE END CAP**  
(71) Applicant: **Hubbell Incorporated**, Shelton, CT (US)  
(72) Inventors: **Duncan Dalgleish Paul Jackson**, Chicago, IL (US); **Aidan Jamison**, Brooklyn, NY (US); **Andrew Mark Black**, London (GB); **Niels Denekamp**, London (GB); **Eoin Billings**, London (GB); **David John Rector**, Greenville, SC (US)

(73) Assignee: **Hubbell Incorporated**, Shelton, CT (US)

(\*\*) Term: **14 Years**

(21) Appl. No.: **29/491,793**

(22) Filed: **May 23, 2014**

(51) **LOC (10) Cl.** ..... **26-99**

(52) **U.S. Cl.**  
USPC ..... **D26/113**

(58) **Field of Classification Search**  
USPC ..... D10/18, 21, 24, 25, 27, 28, 46, 93, 104, D10/106, 113, 116.1, 121; D26/118, 120, D26/124, 138  
CPC ..... A63H 30/04; G05G 2009/04748; H04B 1/1027; F21S 8/04; F21S 2/005; F21S 2/00; B29D 21/04; F21V 15/015; F21V 2103/00; F21V 27/00; F21V 21/14; F21V 21/005; F21Y 2103/00

See application file for complete search history.

(56) **References Cited**

U.S. PATENT DOCUMENTS

D31,762 S \* 10/1899 Locke ..... D25/103  
D87,355 S \* 7/1932 Pospisil ..... D26/72  
1,994,937 A \* 3/1935 Berger ..... G09F 7/02  
40/124.5  
D148,695 S \* 2/1948 Guth et al. .... D26/76  
D149,026 S \* 3/1948 Schwartz et al. .... D26/76  
D150,735 S \* 8/1948 Schwartz et al. .... D26/78

2,474,308 A \* 6/1949 Franck ..... F21S 8/04  
362/224  
2,490,191 A \* 12/1949 Baker ..... F21S 8/04  
362/223  
2,534,182 A \* 12/1950 Schwartz ..... F21S 8/031  
362/221  
2,535,840 A \* 12/1950 Coyle ..... B65D 43/0212  
220/794  
2,694,775 A \* 11/1954 Florence ..... F21S 8/04  
362/222  
D199,687 S \* 12/1964 Meyer et al. .... D26/76  
D257,586 S \* 12/1980 Heenan ..... D10/113.1

(Continued)

OTHER PUBLICATIONS

Liteweave Linear Luminaire, image post date Sep. 7, 2015, site visited Sep. 16, 2015, (online), <<http://web.archive.org/web/20150907024901/http://www.billingsjackson.com/projects/lighting-and-controls/liteweave-linear-luminaire/>>.\*

(Continued)

*Primary Examiner* — Kevin Rudzinski

*Assistant Examiner* — Sean D Lough

(74) *Attorney, Agent, or Firm* — Michael Best & Friedrich, LLP

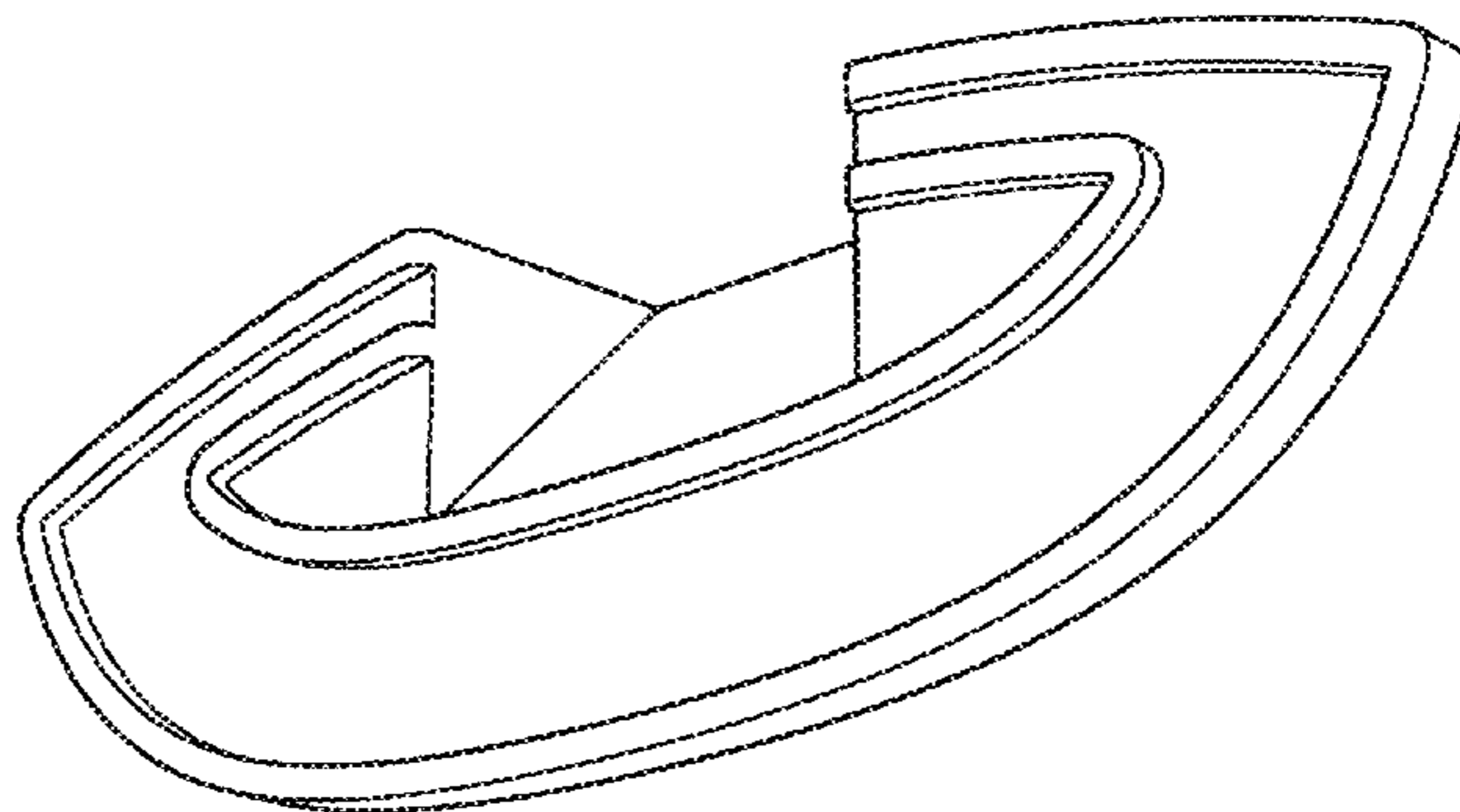
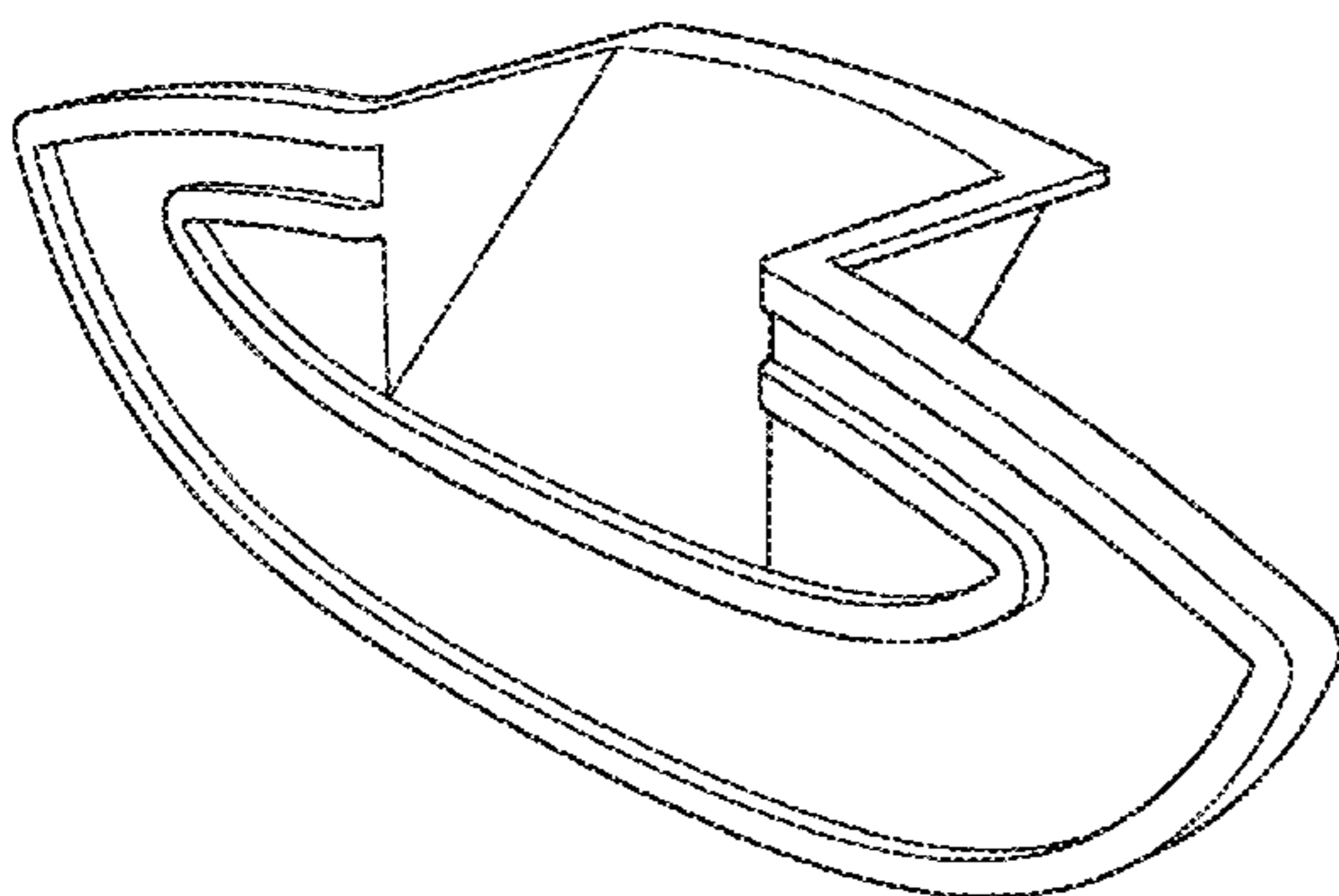
(57) **CLAIM**

The ornamental design for the luminaire end cap, as shown and described.

**DESCRIPTION**

FIG. 1 is a front perspective view of the design; FIG. 2 is a another front perspective view thereof; FIG. 3 is rear perspective view thereof; FIG. 4 is another rear perspective view thereof; FIG. 5 is a front elevation view thereof; FIG. 6 is a rear elevation view thereof; FIG. 7 is a top plan view thereof; FIG. 8 is a right side elevation view thereof; and, FIG. 9 is perspective view of the luminaire end cap connected to a portion of a luminaire shown as environment with a symbolic break that forms no part of the claimed design. The broken lines shown in FIG. 9 illustrate portions of the luminaire and form no part of the claimed design.

**1 Claim, 5 Drawing Sheets**



(56)

References Cited

U.S. PATENT DOCUMENTS

D265,765 S \* 8/1982 Hawkins ..... D20/42  
 D300,471 S \* 3/1989 Szymanek ..... D26/76  
 D300,874 S \* 4/1989 Szymanek ..... D26/76  
 D306,771 S \* 3/1990 Gecchelin ..... D25/119  
 D306,772 S \* 3/1990 De'Armond ..... D25/136  
 5,464,232 A \* 11/1995 Chizmadia ..... B23B 31/16275  
 269/262  
 D379,548 S \* 5/1997 Johnson ..... D26/128  
 D380,853 S \* 7/1997 Johnson ..... D26/128  
 5,658,066 A \* 8/1997 Hirsch ..... F21S 4/003  
 362/219  
 5,681,128 A \* 10/1997 Morgan ..... E01F 9/06  
 156/330  
 5,746,502 A \* 5/1998 Huang ..... F21S 8/033  
 362/223  
 D397,481 S \* 8/1998 Schafer ..... D26/76  
 D399,329 S \* 10/1998 Compton ..... D26/76  
 D419,258 S \* 1/2000 Pfister ..... D26/87  
 D421,505 S \* 3/2000 Hastings ..... D26/76  
 D433,177 S \* 10/2000 Lewis ..... D26/113  
 D434,175 S \* 11/2000 Fahmian ..... D26/113  
 D434,519 S \* 11/2000 Herst ..... D26/113  
 D435,131 S \* 12/2000 Szymanek ..... D26/75  
 D437,959 S \* 2/2001 Lewis ..... D26/76  
 D445,214 S \* 7/2001 Lewis ..... D26/113  
 D466,244 S \* 11/2002 Lewis ..... D26/76  
 6,530,674 B2 \* 3/2003 Grierson ..... F21V 21/005  
 362/219  
 6,769,784 B2 \* 8/2004 Yaphe ..... F21S 2/00  
 362/147  
 D503,821 S \* 4/2005 Waldmann ..... D26/78  
 6,984,055 B2 \* 1/2006 McCarthy ..... F21S 2/00  
 362/219  
 6,984,095 B2 \* 1/2006 Johnson ..... B60P 7/0807  
 410/101  
 D544,627 S \* 6/2007 Quintal ..... D26/76  
 D563,588 S \* 3/2008 Mullen ..... D26/85  
 D567,425 S \* 4/2008 Yates ..... D26/76  
 D575,673 S \* 8/2008 Pontaoe ..... D11/216  
 D586,030 S \* 2/2009 Genova ..... D26/85

D587,834 S \* 3/2009 Moritz ..... D26/76  
 D589,638 S \* 3/2009 Collins ..... D26/72  
 D591,440 S \* 4/2009 Maxik ..... D26/72  
 D597,701 S \* 8/2009 Tran ..... D26/76  
 D598,149 S \* 8/2009 Leslie ..... D26/37  
 D610,294 S \* 2/2010 Theusch ..... D26/76  
 D612,974 S \* 3/2010 Guercio ..... D26/85  
 D613,901 S \* 4/2010 Silver ..... D26/152  
 D617,935 S \* 6/2010 Miletich ..... D26/76  
 D620,181 S \* 7/2010 Sanoner ..... D26/85  
 D622,441 S \* 8/2010 Warner ..... D26/138  
 D627,914 S \* 11/2010 Couture ..... D26/76  
 D627,916 S \* 11/2010 Butteris ..... D26/85  
 D636,525 S \* 4/2011 Chan ..... D26/118  
 D642,987 S \* 8/2011 Sculler ..... D13/155  
 D647,425 S \* 10/2011 Kolasa ..... D11/218  
 D655,448 S \* 3/2012 Dykstra ..... D26/118  
 D658,803 S \* 5/2012 Maxik ..... D26/87  
 D668,382 S \* 10/2012 Schieffelin ..... D26/142  
 D671,855 S \* 12/2012 Wiegel ..... D10/113.1  
 D674,964 S \* 1/2013 Bailey ..... D26/118  
 8,870,414 B2 \* 10/2014 Goeckel ..... F21V 7/00  
 362/191  
 D717,308 S \* 11/2014 Knoll ..... D14/453  
 8,882,298 B2 \* 11/2014 Gershaw ..... F21V 5/043  
 362/217.14  
 8,960,962 B2 \* 2/2015 McCane ..... F21V 3/0445  
 362/217.1  
 8,974,085 B2 \* 3/2015 Loraing ..... F21S 2/005  
 362/249.14  
 D728,140 S \* 4/2015 Lay ..... D26/76  
 9,086,521 B2 \* 7/2015 Rinehart ..... F21V 5/002  
 9,103,508 B2 \* 8/2015 Shimizu ..... F21K 9/30  
 9,121,584 B2 \* 9/2015 Santoro ..... F21S 8/06  
 9,133,989 B2 \* 9/2015 Cochran ..... F21K 9/54

OTHER PUBLICATIONS

Litecontrol Liteweave linear indirect-direct, image post date Feb. 25, 2015, site visited Sep. 17, 2015, (online), <<http://s36.a2zinc.net/clients/pennwell/ledawards2015/public/Content.aspx?ID=50586&sortMenu=104000>>.\*

\* cited by examiner

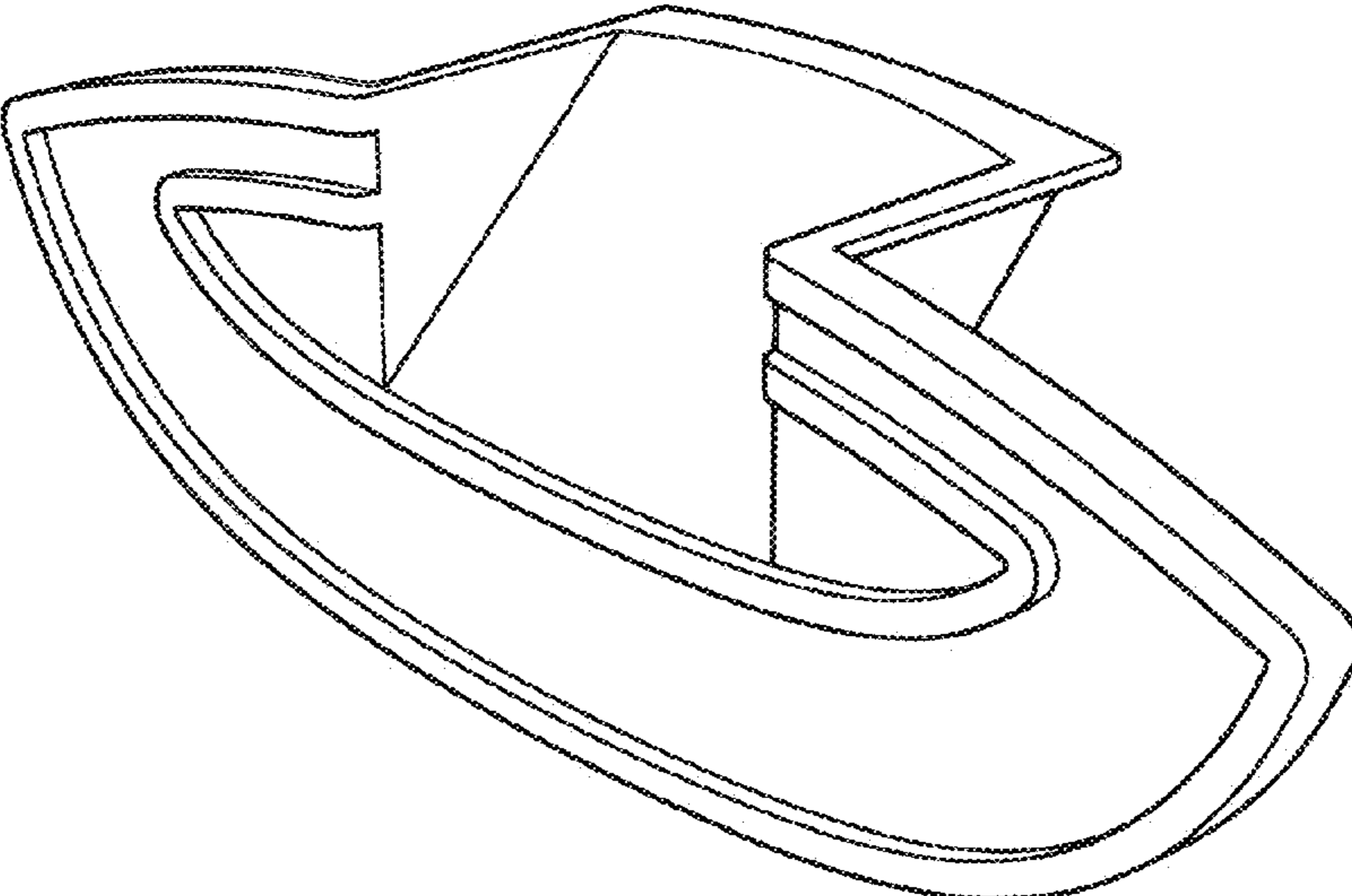


FIG. 1

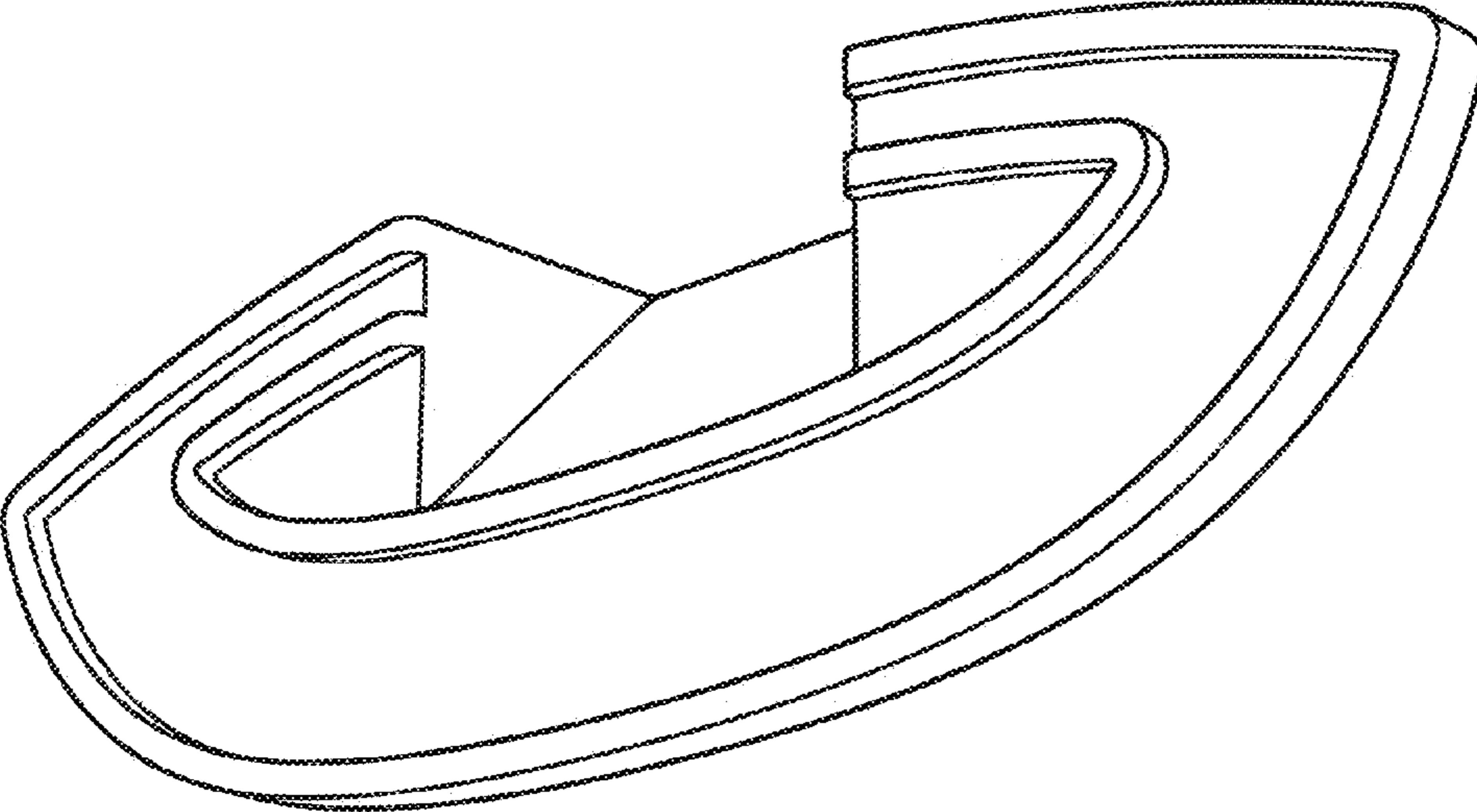


FIG. 2

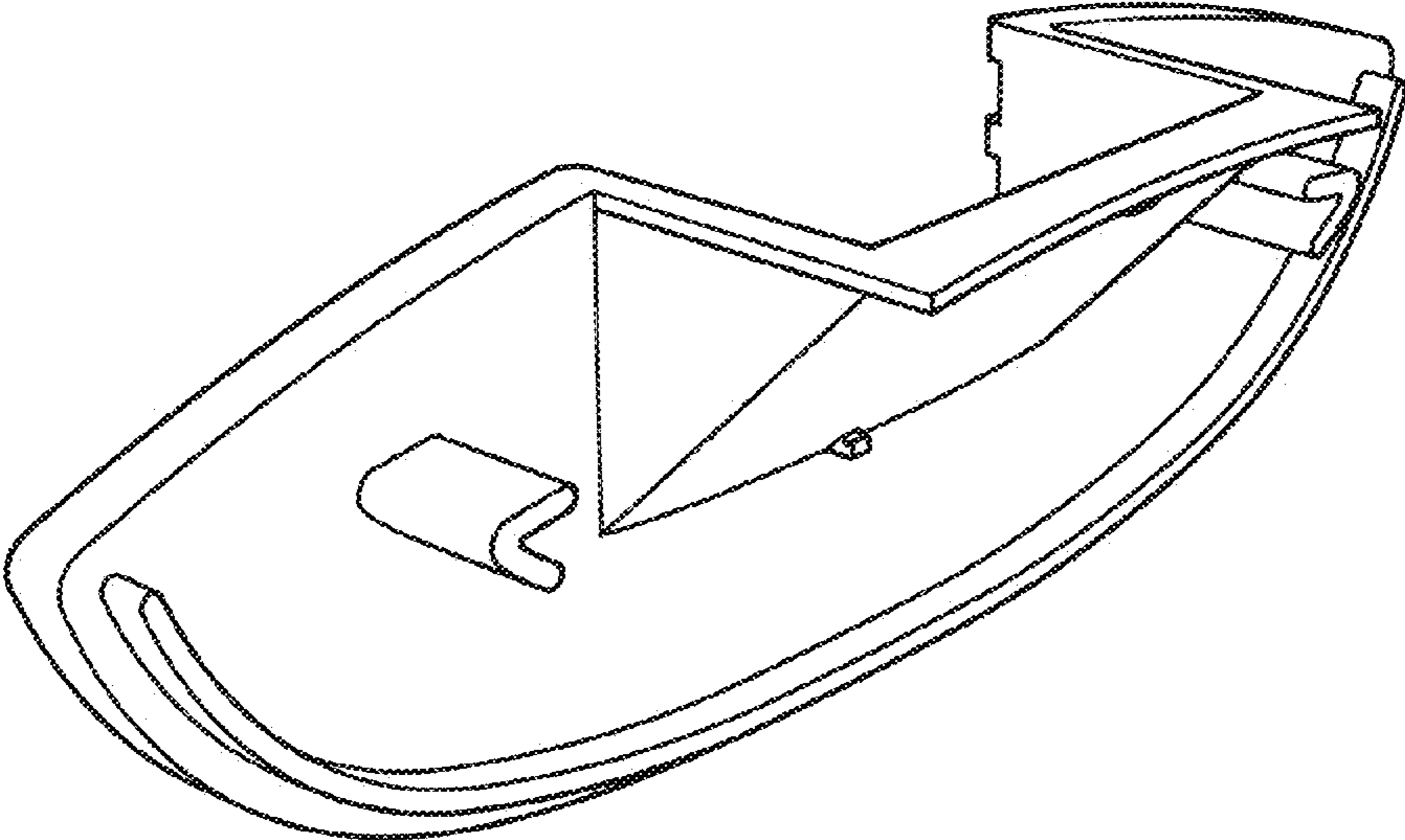


FIG. 3

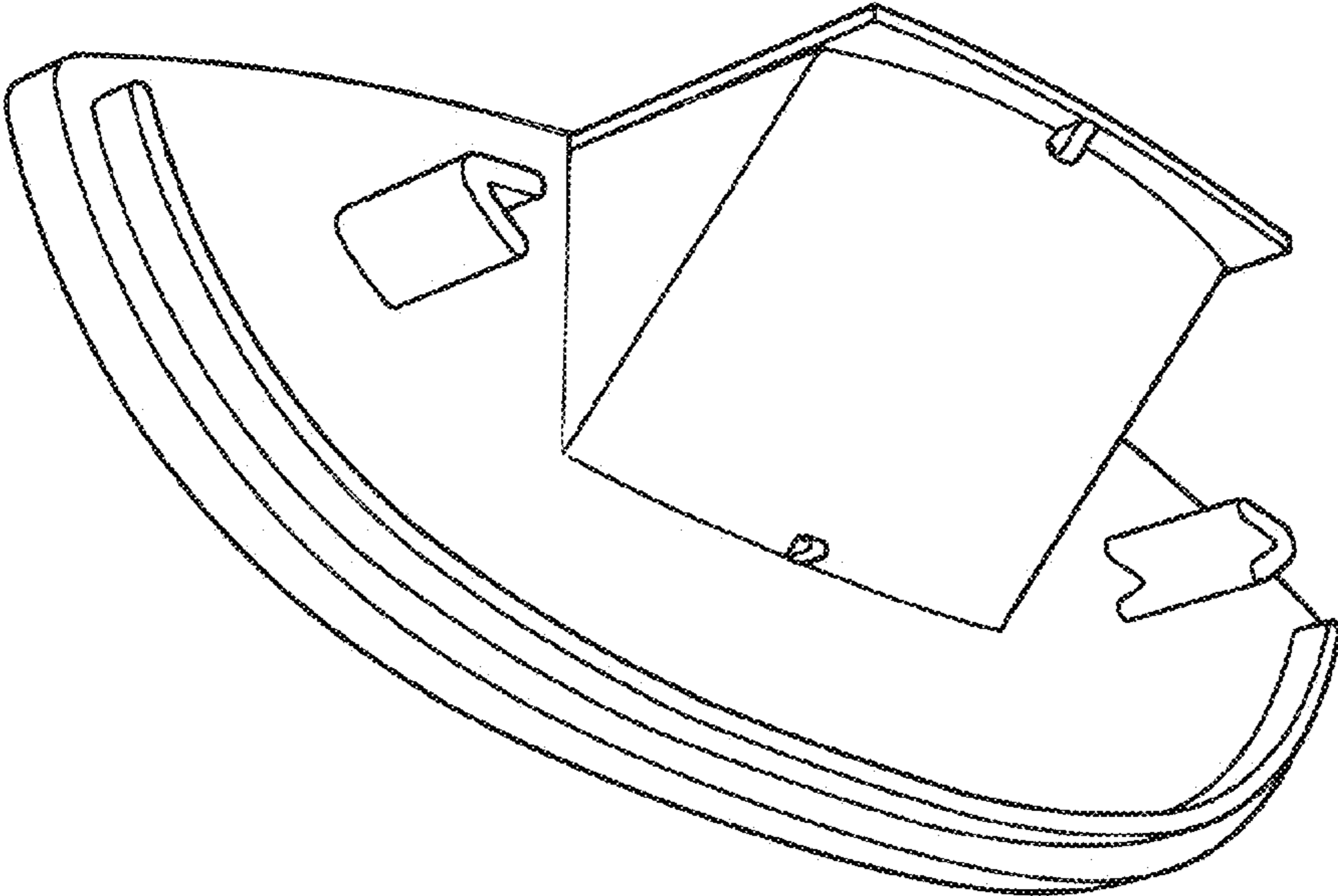


FIG. 4

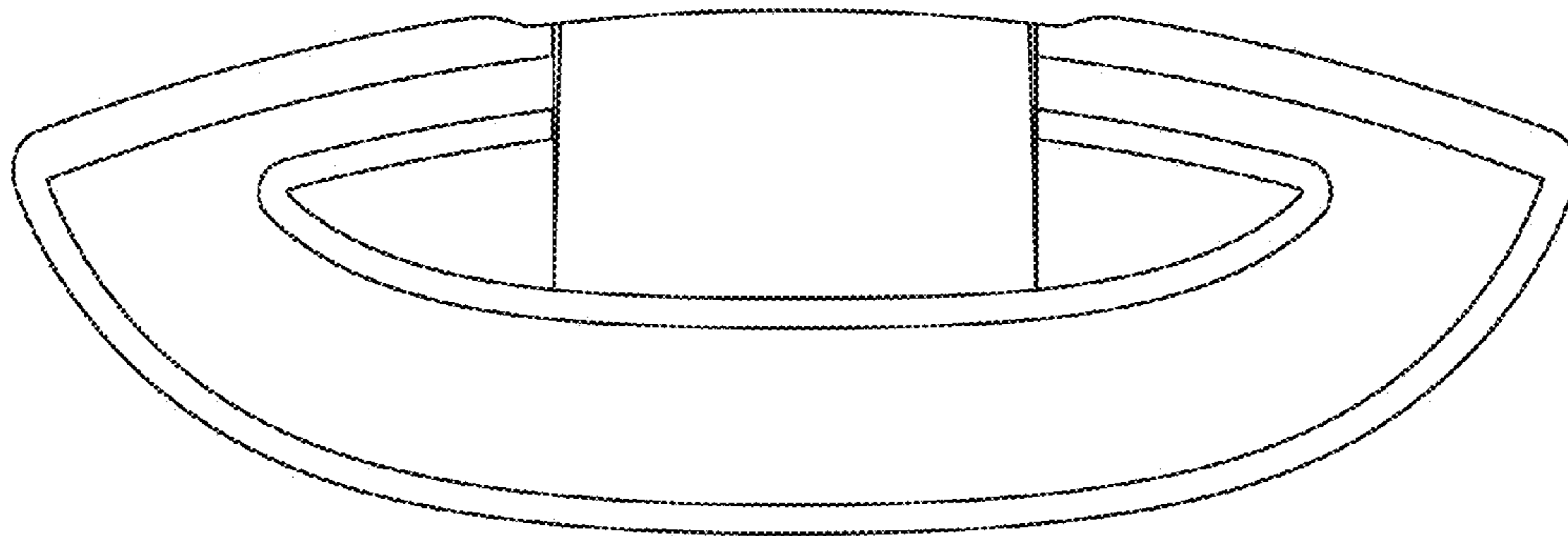


FIG. 5

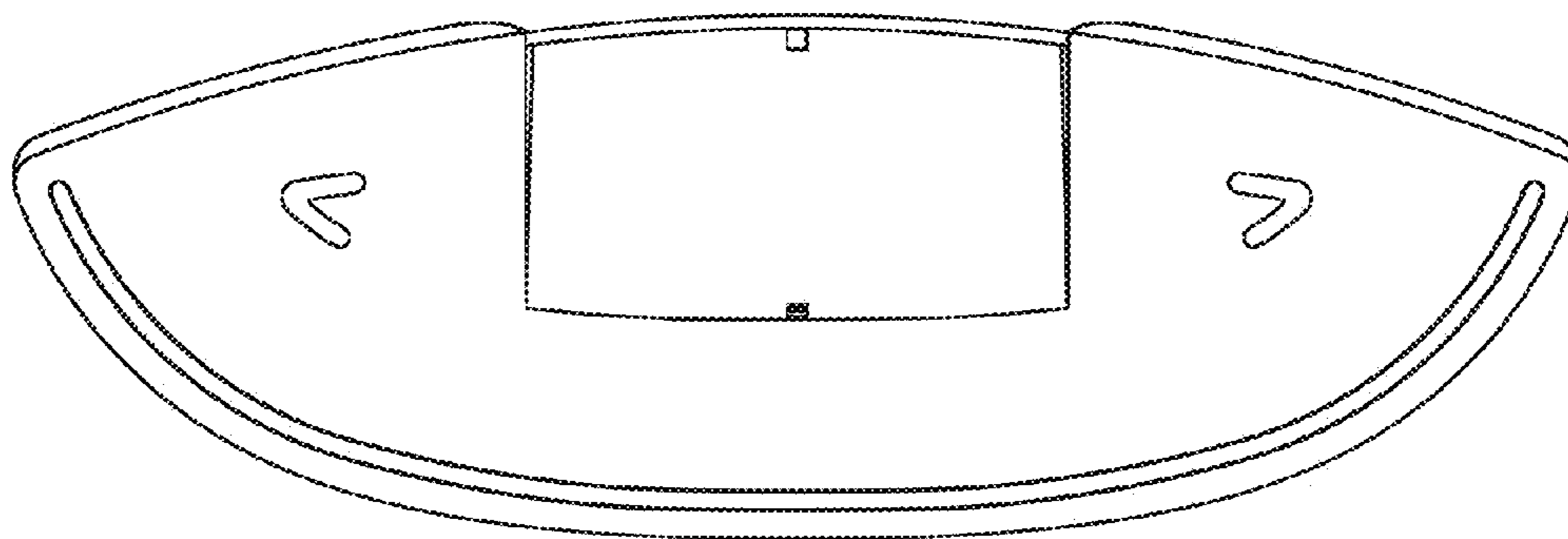


FIG. 6

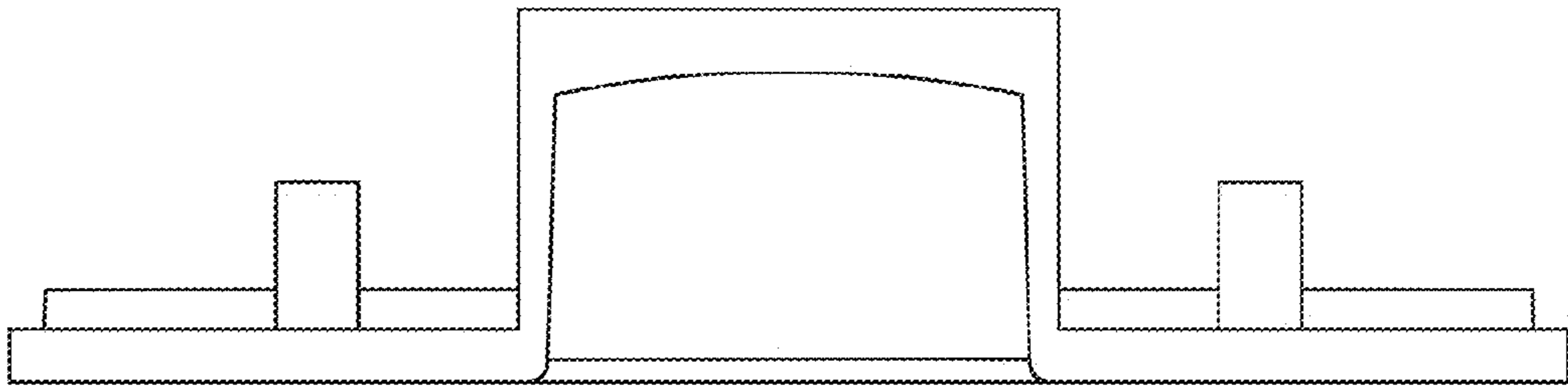


FIG. 7

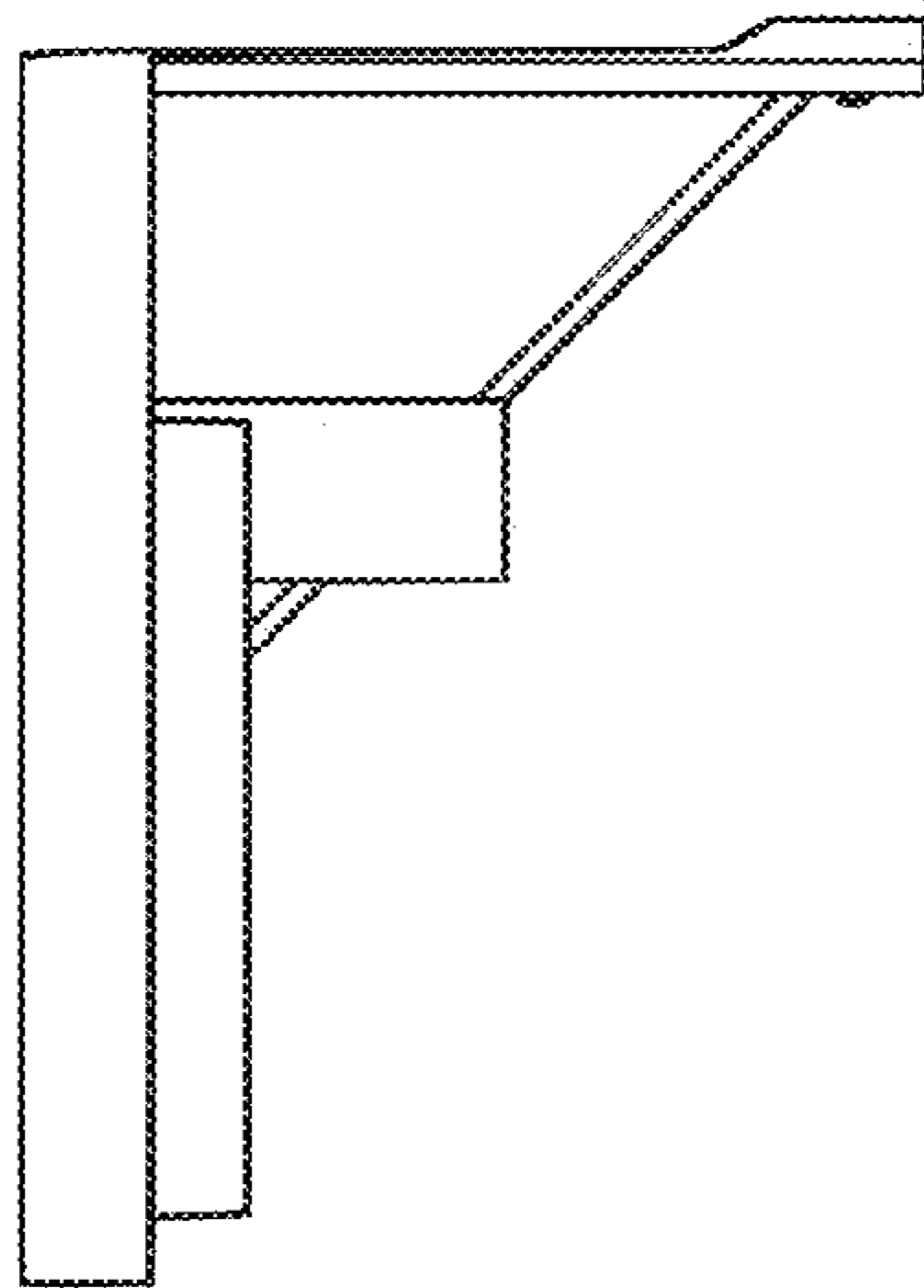


FIG. 8

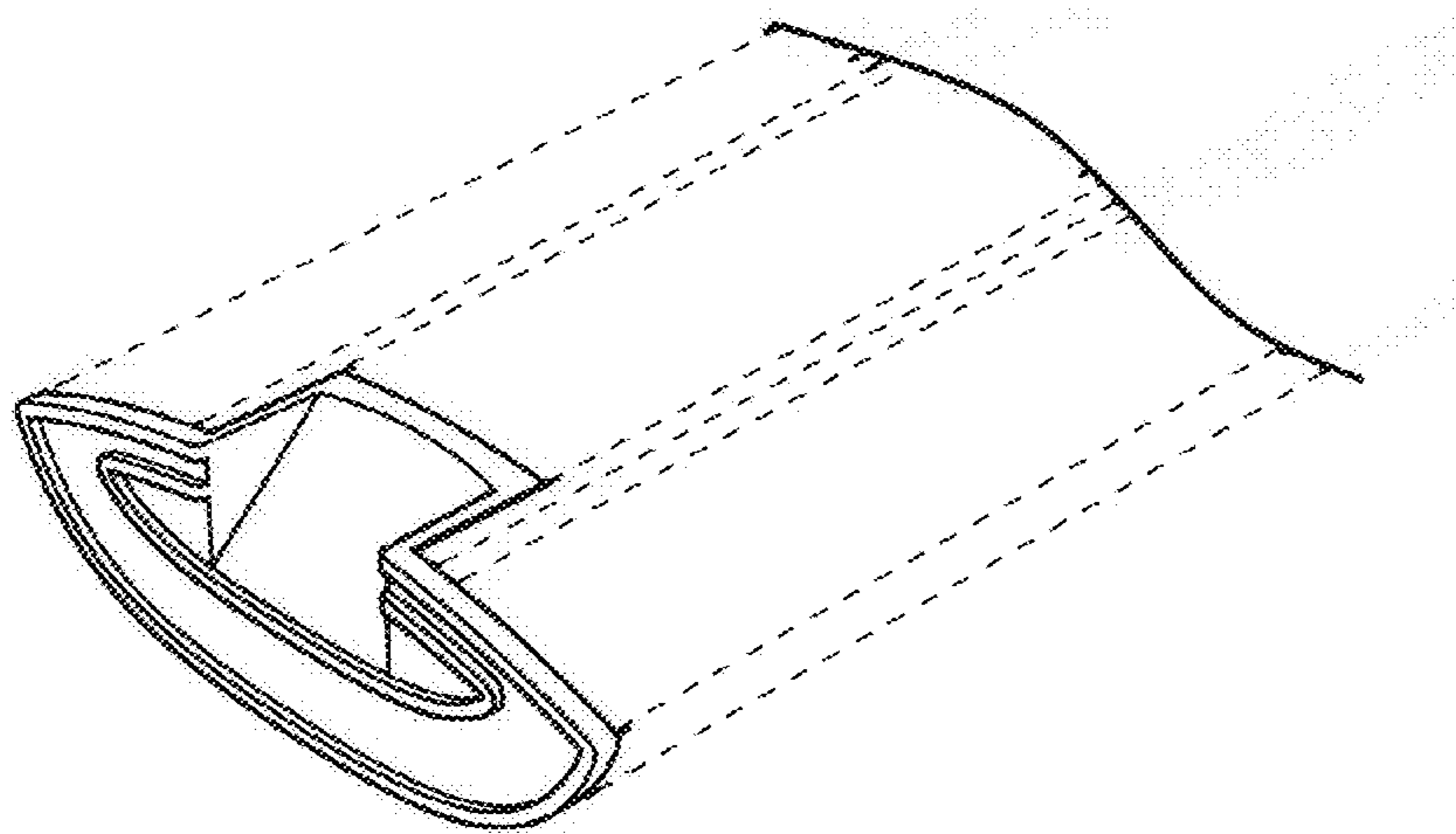


FIG. 9