



US00D755434S

(12) **United States Design Patent**
Martin

(10) **Patent No.:** **US D755,434 S**

(45) **Date of Patent:** **** May 3, 2016**

(54) **LAMP**

(71) Applicant: **Hubbardton Forge LLC**, Castleton, VT
(US)

(72) Inventor: **David Martin**, Brandon, VT (US)

(73) Assignee: **Hubbardton Forge LLC**, Castleton, VT
(US)

(**) Term: **14 Years**

(21) Appl. No.: **29/508,570**

(22) Filed: **Nov. 7, 2014**

(51) **LOC (10) Cl.** **26-03**

(52) **U.S. Cl.**
USPC **D26/93**

(58) **Field of Classification Search**
USPC D26/1, 24, 93, 107
CPC F21V 21/00; F21V 21/02; F21V 21/116;
F21W 2121/00; F21W 2131/00

See application file for complete search history.

(56) **References Cited**

U.S. PATENT DOCUMENTS

D155,340 S * 9/1949 Frisbie D26/93
D619,294 S * 7/2010 Sabernig D26/93

* cited by examiner

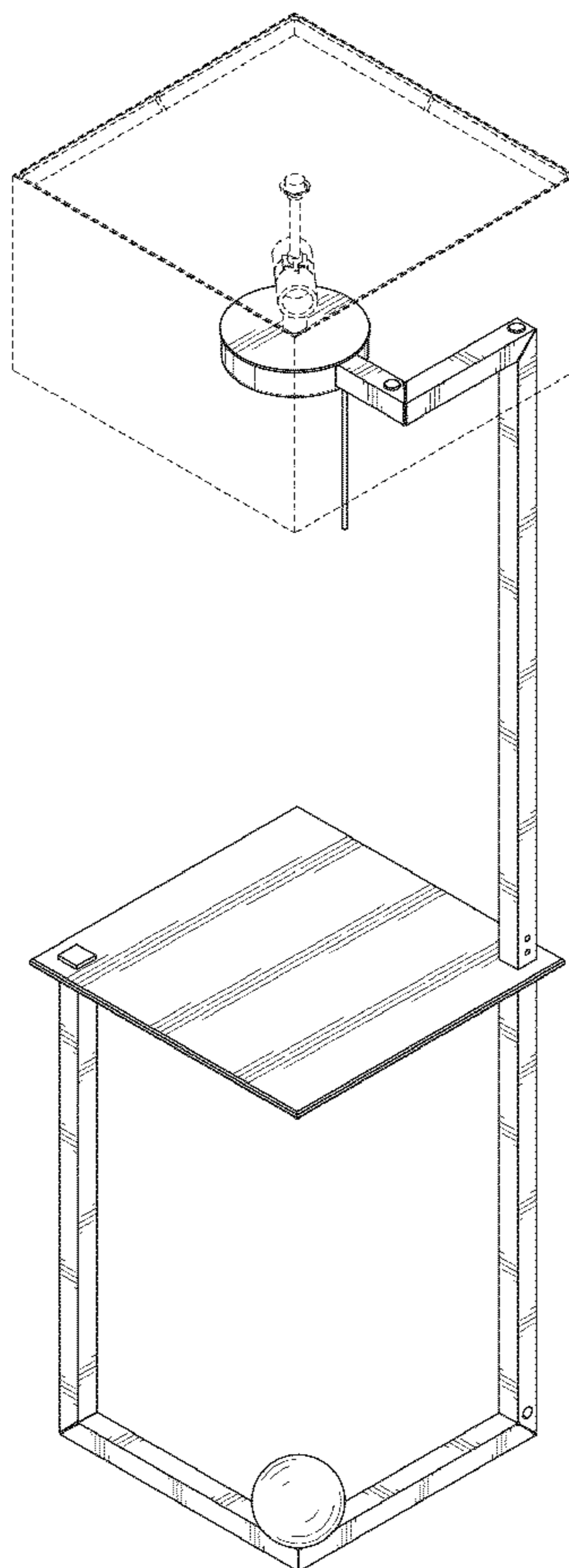
Primary Examiner — Brian N Vinson

(57) **CLAIM**
The ornamental design for a lamp, as shown.

DESCRIPTION

FIG. 1 is a perspective view of the lamp according to the present invention;
FIG. 2 is a front view of the lamp thereof;
FIG. 3 is a back view of the lamp thereof;
FIG. 4 is a right view of the lamp thereof;
FIG. 5 is a left view of the lamp thereof;
FIG. 6 is a top view of the lamp thereof; and,
FIG. 7 is a bottom view of the lamp thereof.
The broken-line disclosure represents portions of the lamp which form no part of the claimed design.

1 Claim, 6 Drawing Sheets



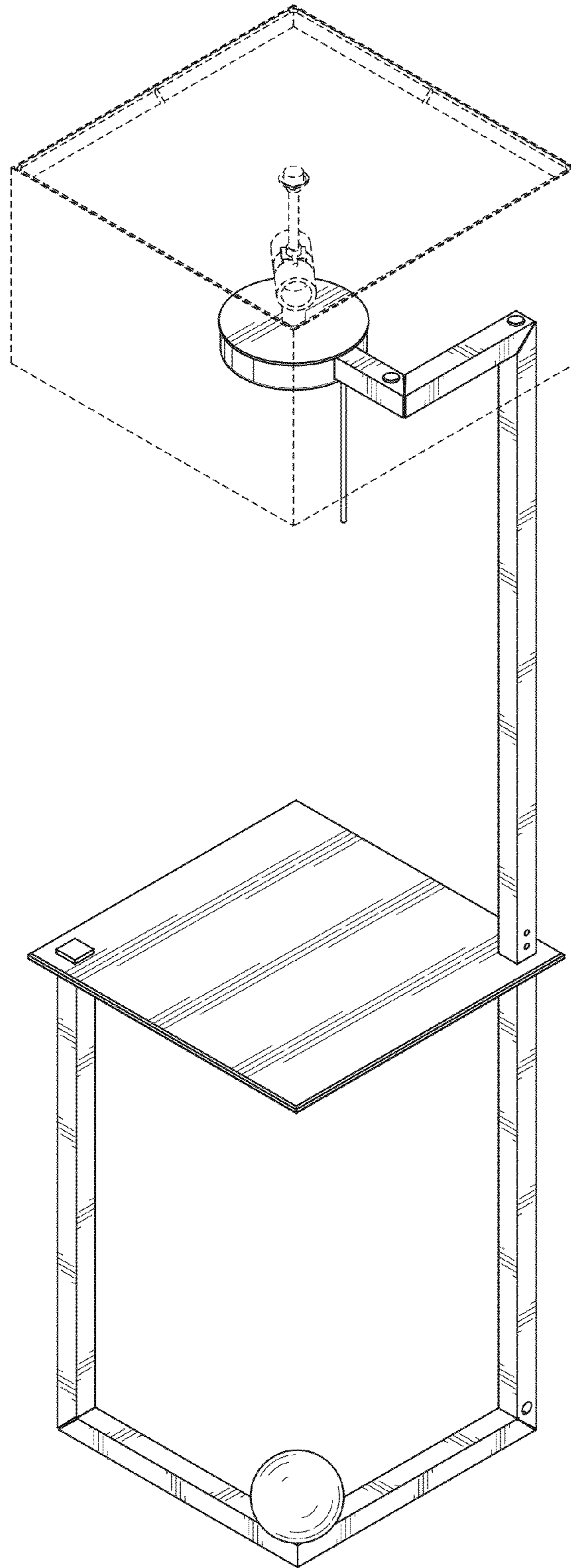


FIG. 1

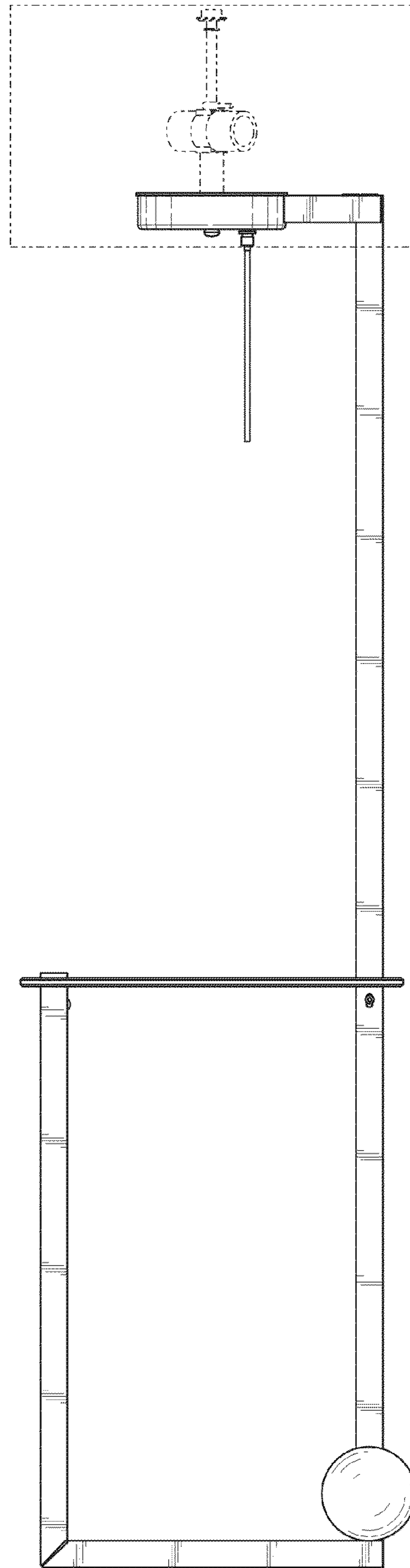


FIG. 2

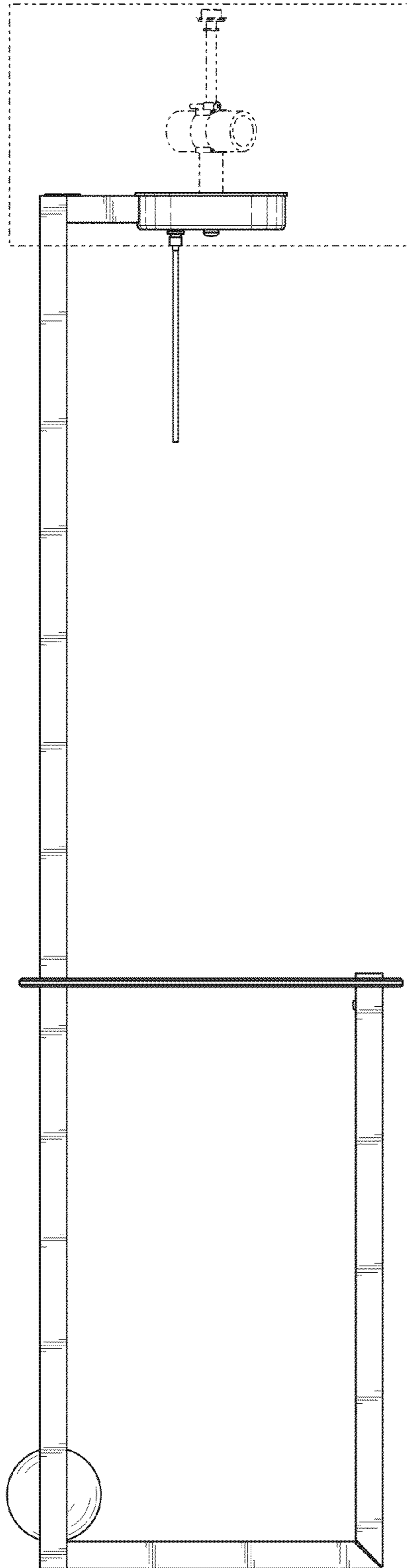


FIG. 3

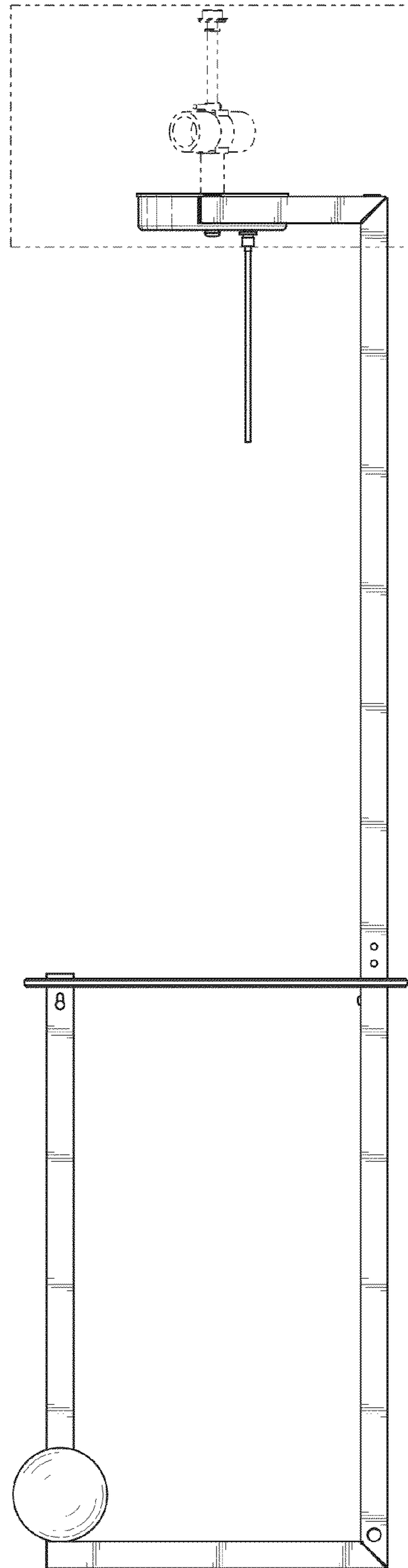


FIG. 4

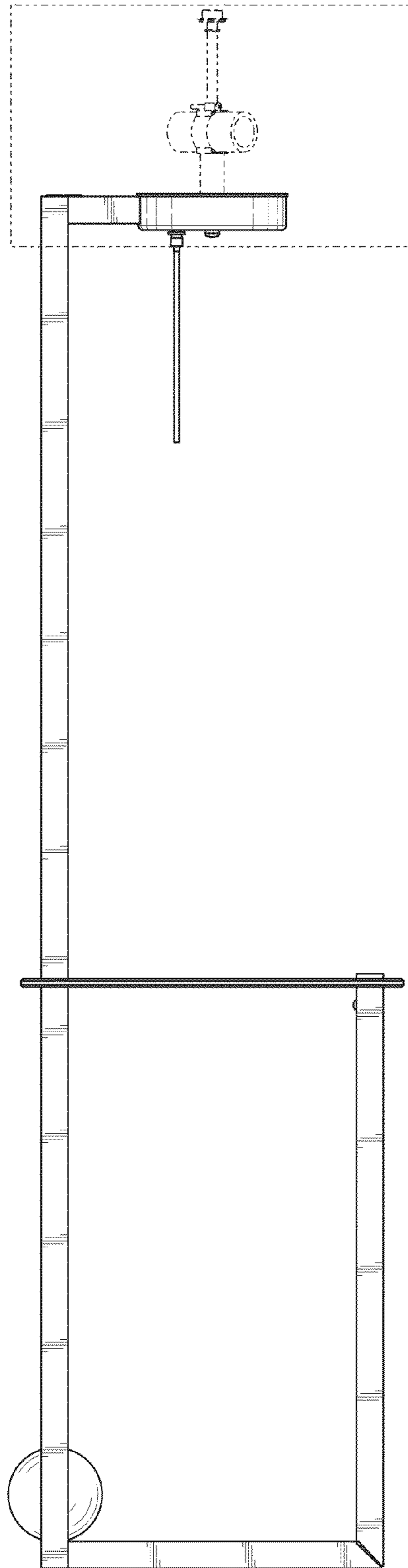


FIG. 5

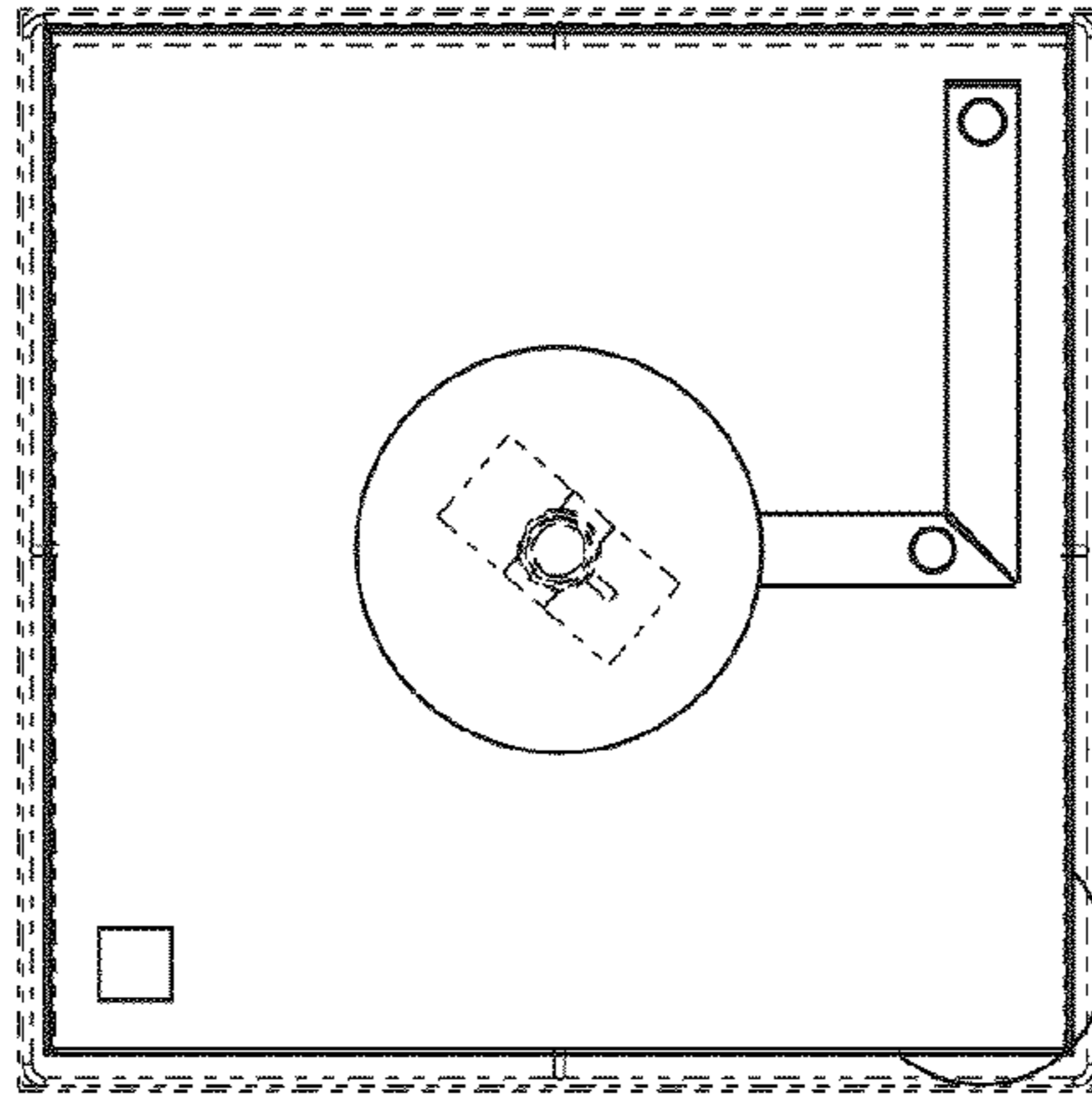


FIG. 6

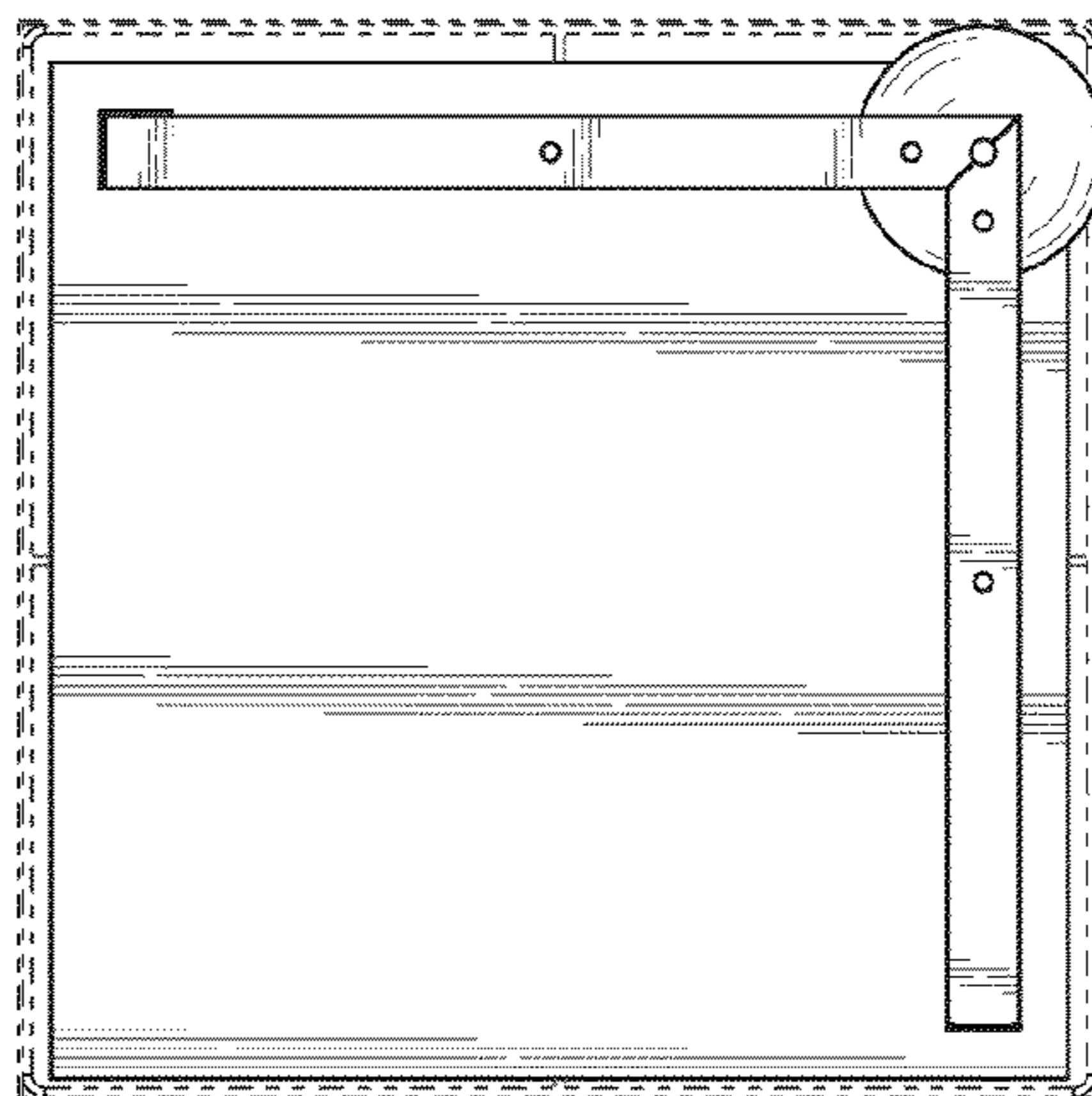


FIG. 7