



US00D755433S

(12) **United States Design Patent**
Sonneman et al.

(10) **Patent No.:** **US D755,433 S**

(45) **Date of Patent:** **** May 3, 2016**

(54) **LIGHT FIXTURE**

(71) Applicant: **Contemporary Visions, L.L.C.**,
Larchmont, NY (US)

(72) Inventors: **Robert A. Sonneman**, Mamaroneck, NY
(US); **Peter Polick**, New York, NY (US)

(73) Assignee: **CONTEMPORARY VISIONS, LLC**,
Larchmont, NY (US)

(**) Term: **14 Years**

(21) Appl. No.: **29/516,854**

(22) Filed: **Feb. 6, 2015**

(51) **LOC (10) Cl.** **26-03**

(52) **U.S. Cl.**
USPC **D26/84**; D26/88

(58) **Field of Classification Search**
USPC D26/80-91, 118, 152, 155
CPC F21S 8/03; F21S 8/033; F21S 8/036;
F21S 8/04; F21S 8/043; F21S 8/046; F21S
8/06; F21S 8/061; F21S 8/063; F21S 8/065;
F21S 8/068; F21V 1/04; F21V 1/06; F21V
1/12; F21V 3/02; F21V 3/023; F21V 5/06
See application file for complete search history.

(56) **References Cited**

U.S. PATENT DOCUMENTS

D56,081 S *	8/1920	Robinson	D26/88
D90,938 S *	10/1933	Beck	D26/88
D346,459 S *	4/1994	King	D26/72
D391,666 S *	3/1998	Lavy	D26/110
D576,340 S *	9/2008	Wanders	D26/88
D588,301 S *	3/2009	Sabernig	D26/88
D602,192 S *	10/2009	Tunze	D26/88
D656,265 S *	3/2012	Sabernig	D26/88
D667,158 S *	9/2012	Fisher	D26/80

2002/0145877 A1*	10/2002	Johnson	F21S 8/065 362/406
2012/0106134 A1*	5/2012	Chang	F21S 8/06 362/147
2014/0211457 A1*	7/2014	Tarsa	F21K 9/52 362/147

OTHER PUBLICATIONS

Elan 3-Light Pendant by Maxim Lighting. Found at wayfair.com, visited on Feb. 5, 2016. (3 pages).*

Sonora bowl pendant by Vico Magistretti for Oluce. Found at wayfair.com, visited Feb. 5, 2016. (4 pages).*

1 Light Bowl Pendant by Philips Consumer Luminaire. Found at wayfair.com, visited Feb. 5, 2016. (4 pages).*

* cited by examiner

Primary Examiner — Clare E Heflin

(74) *Attorney, Agent, or Firm* — Gottlieb, Rackman & Reisman P.C.

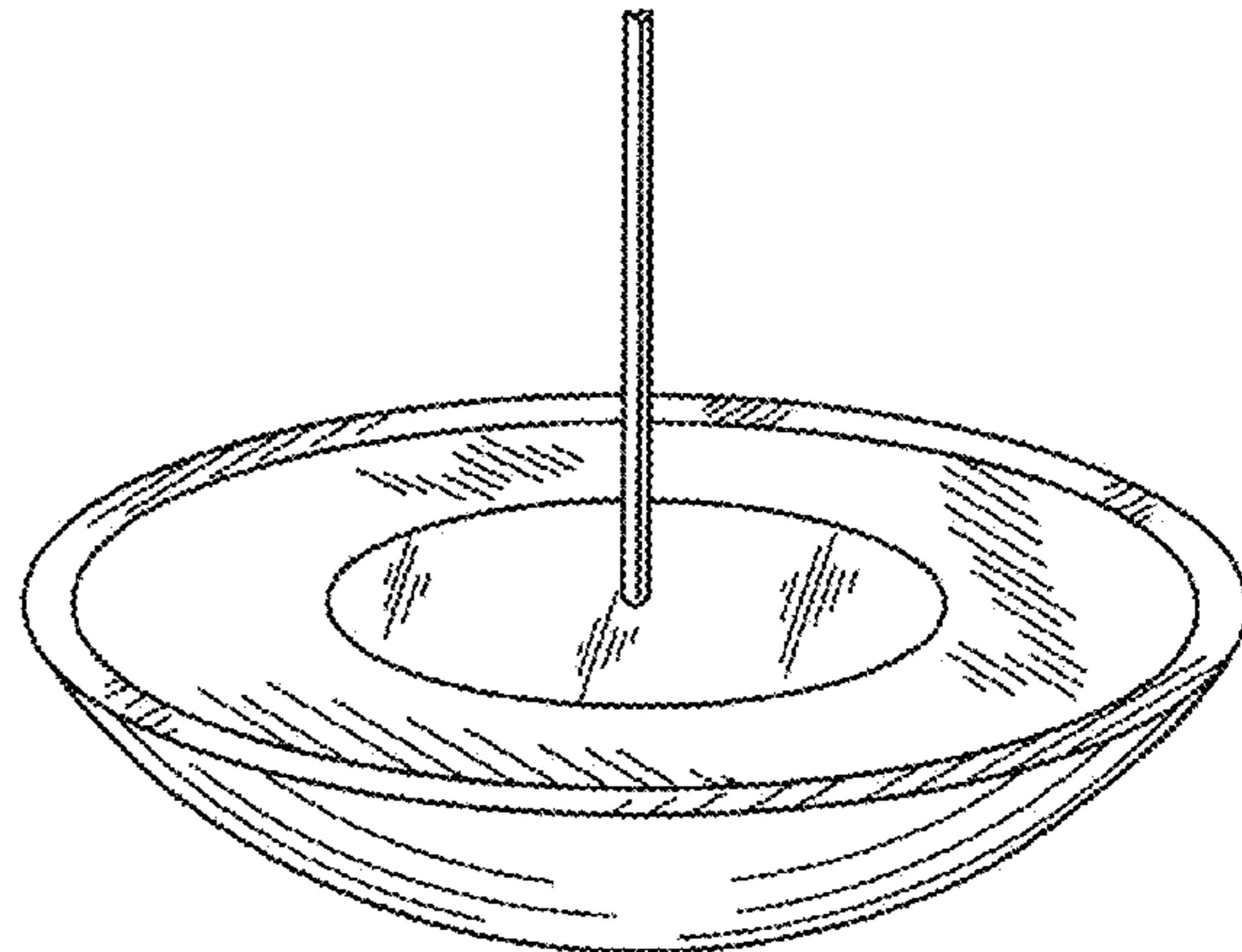
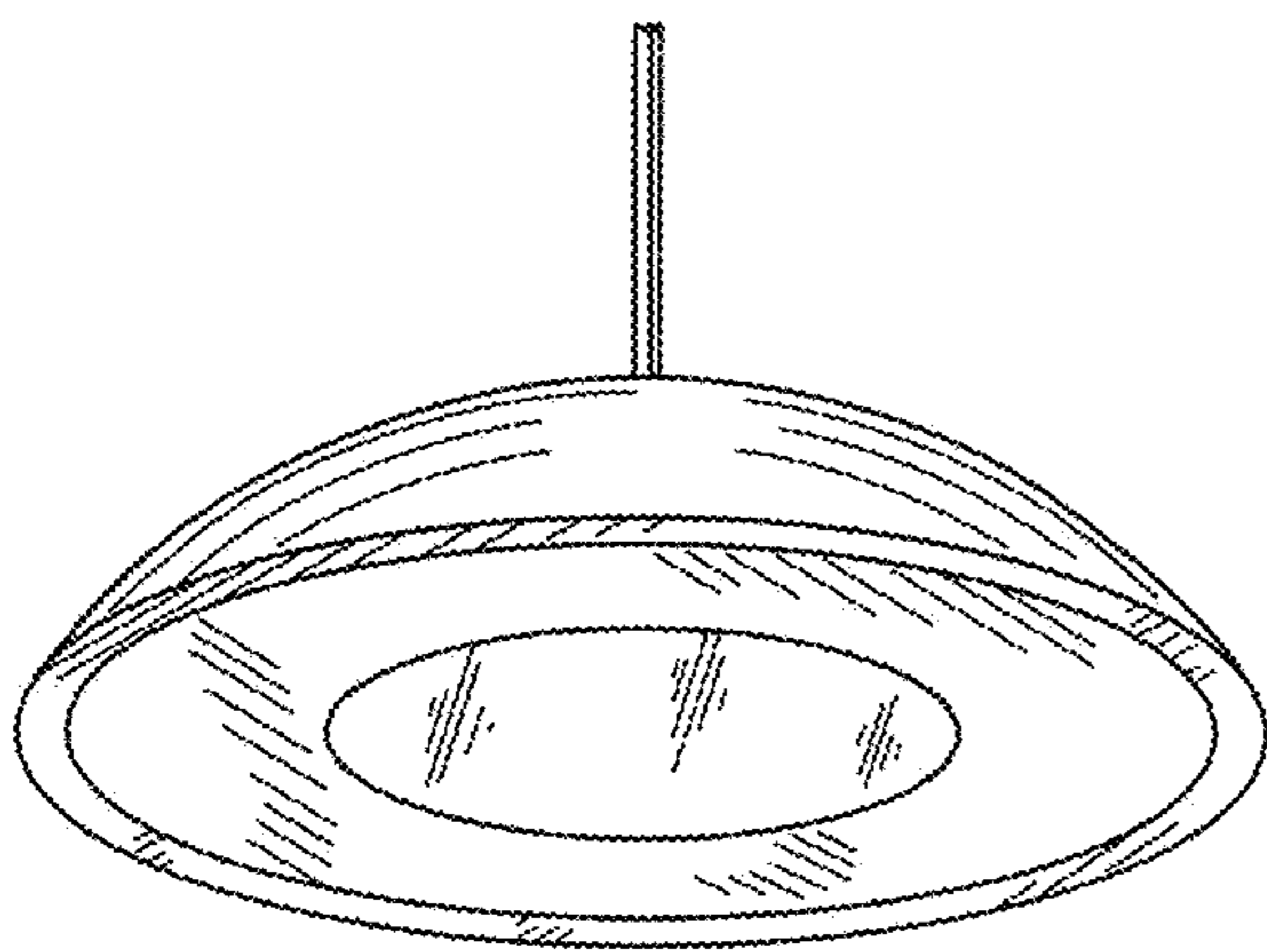
(57) **CLAIM**

The ornamental design for a light fixture, as shown and described.

DESCRIPTION

FIG. 1 is a perspective view of the light fixture showing our new design;
FIG. 2 is a top plan view thereof;
FIG. 3 is a front elevational view thereof, the rear side elevational view, the right side elevational view and the left side elevational view being a mirror image;
FIG. 4 is a bottom plan view thereof;
FIG. 5 is a perspective view of a second embodiment of our new design;
FIG. 6 is a top plan view thereof;
FIG. 7 is a front elevational view thereof, the rear side elevational view, the right side elevational view and the left side elevational view being a mirror image; and,
FIG. 8 is a bottom plan view thereof.

1 Claim, 4 Drawing Sheets



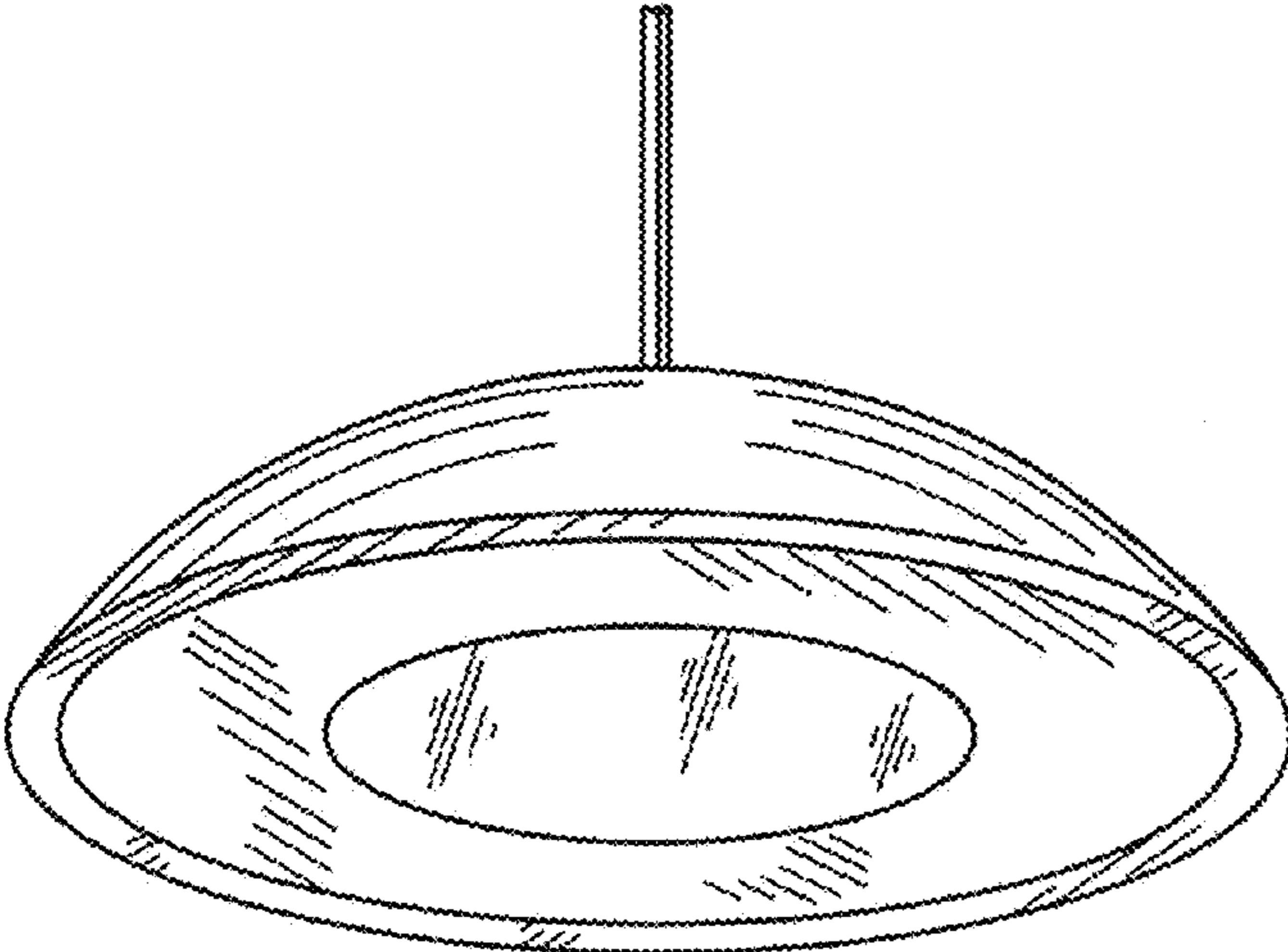


FIG. 1

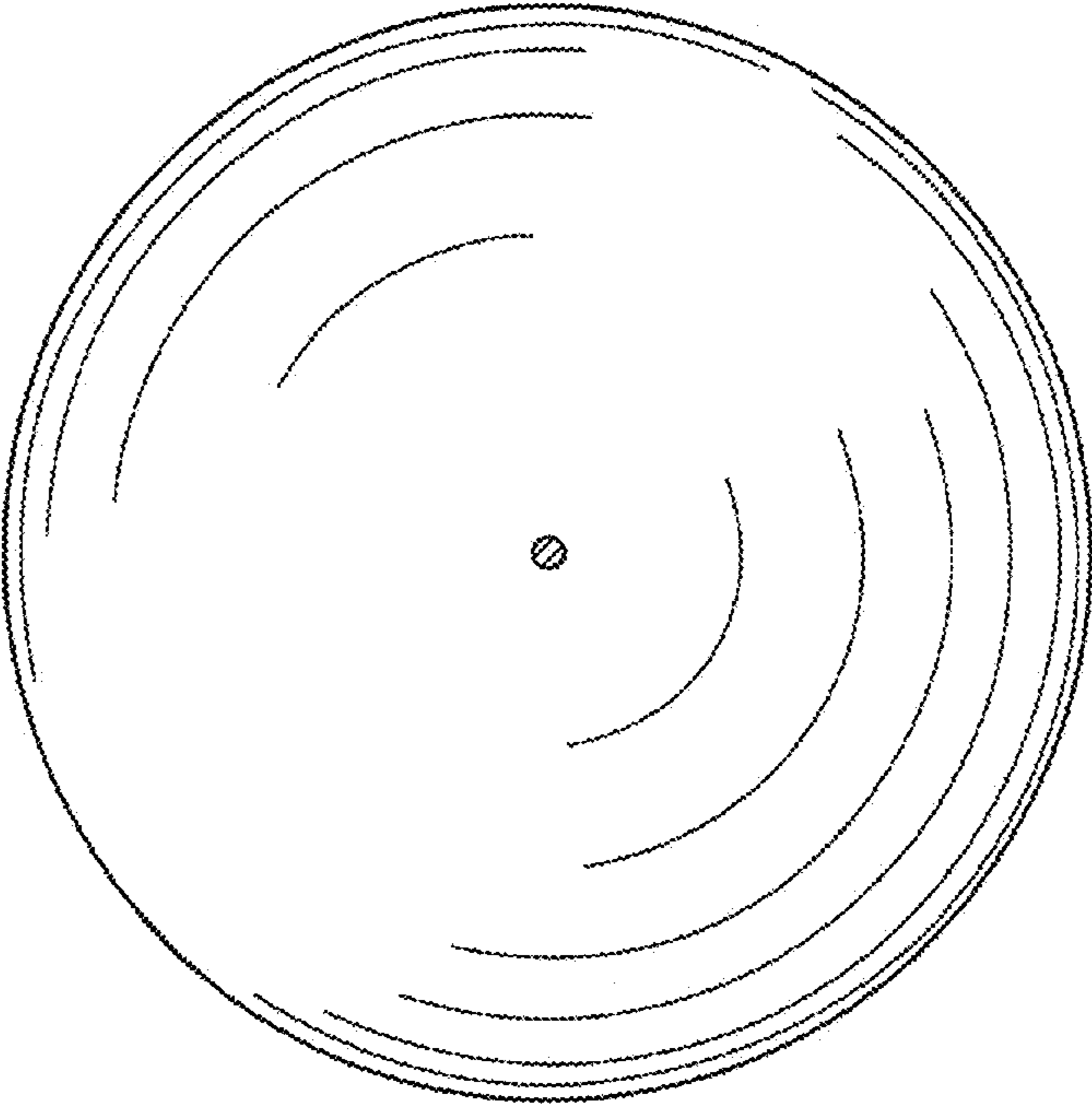


FIG. 2

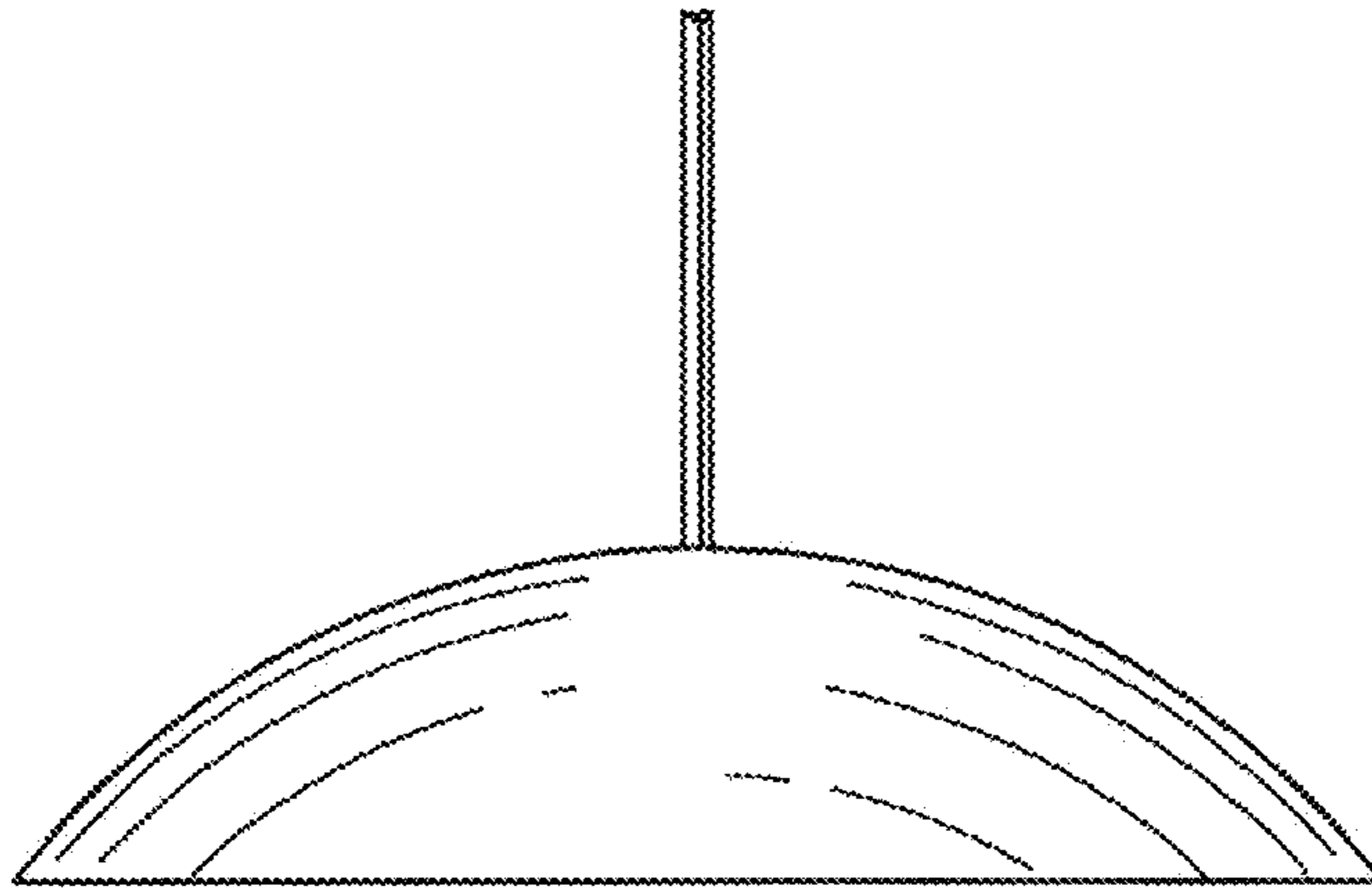


FIG. 3

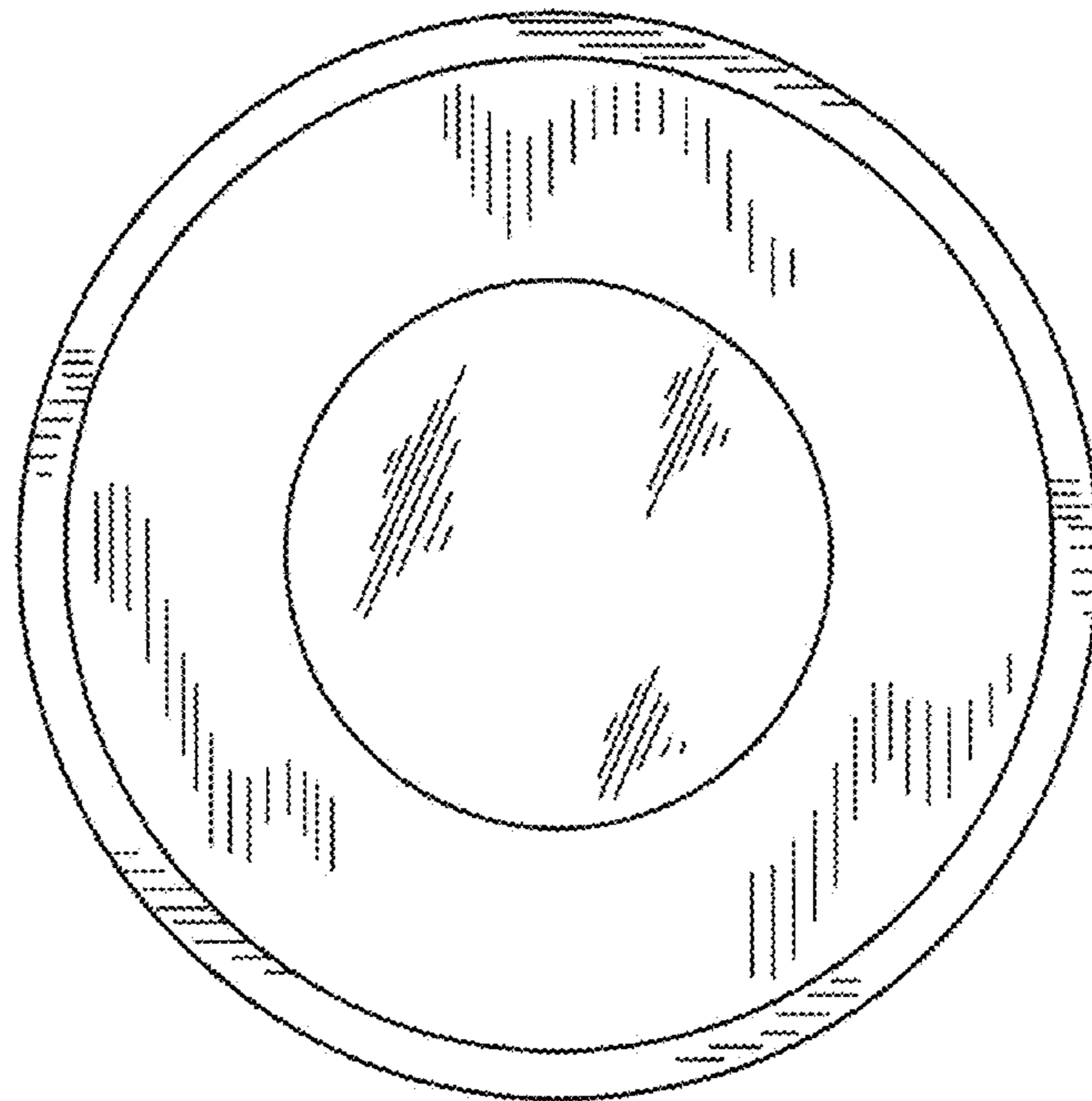


FIG. 4

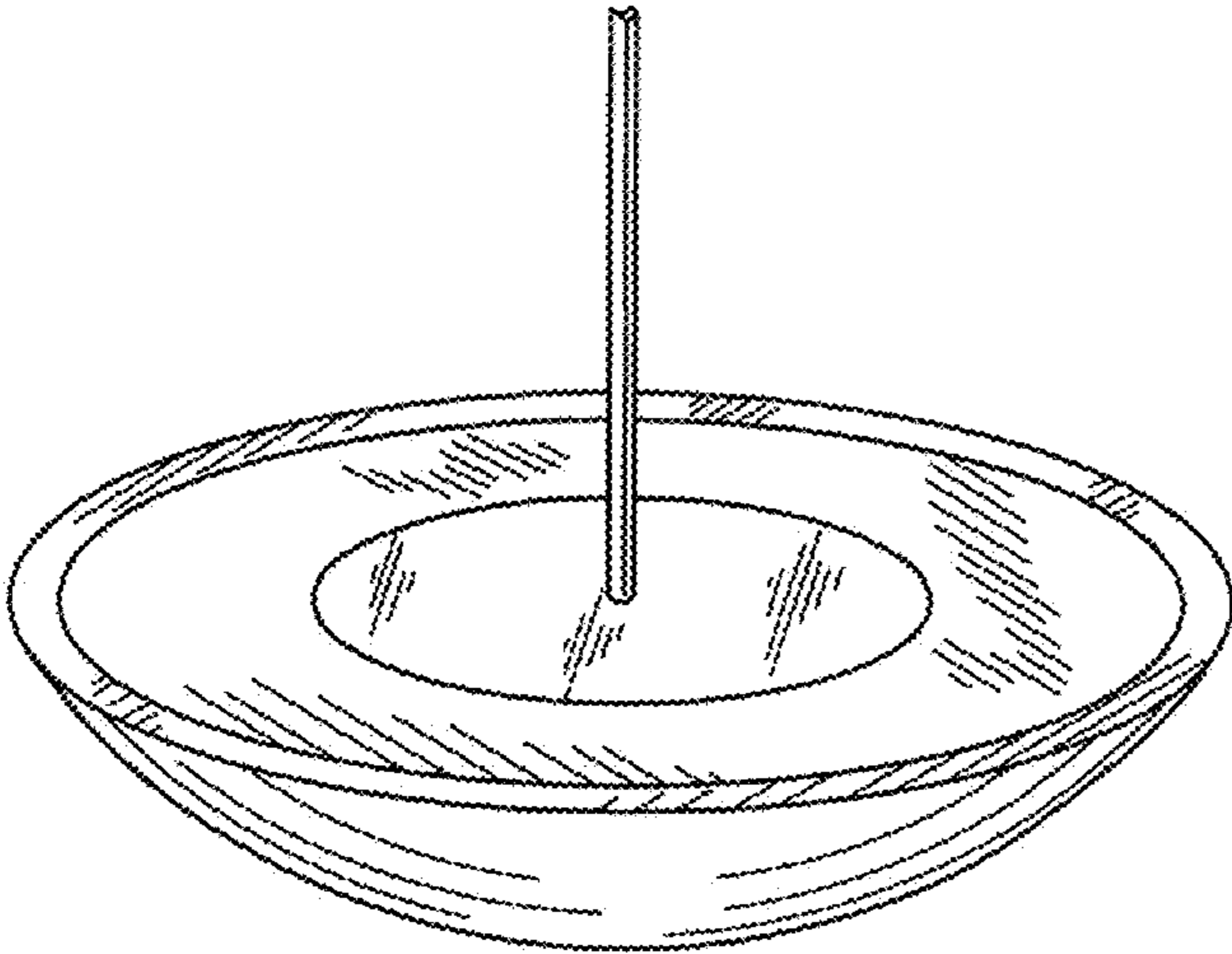


FIG. 5

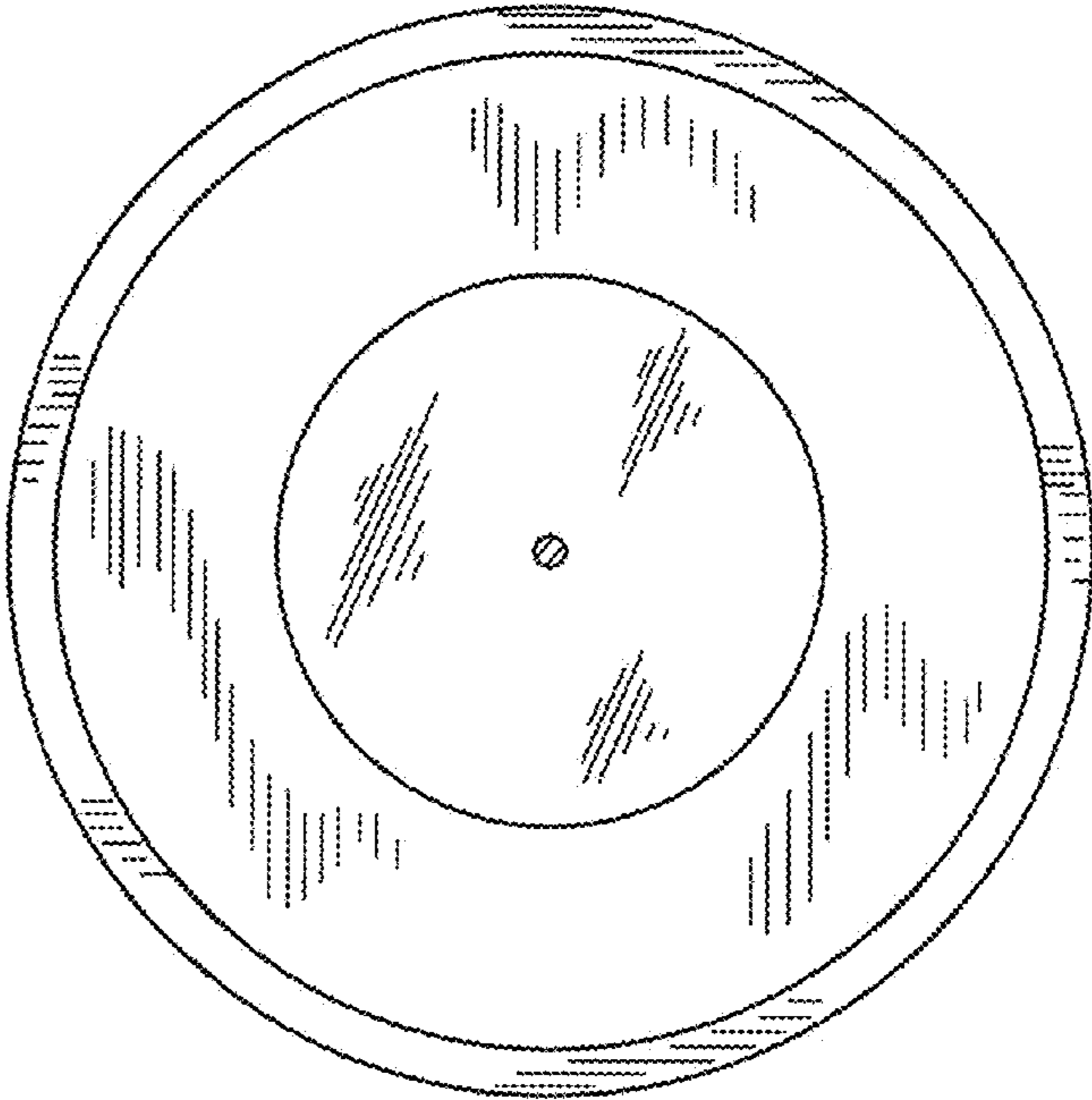


FIG. 6

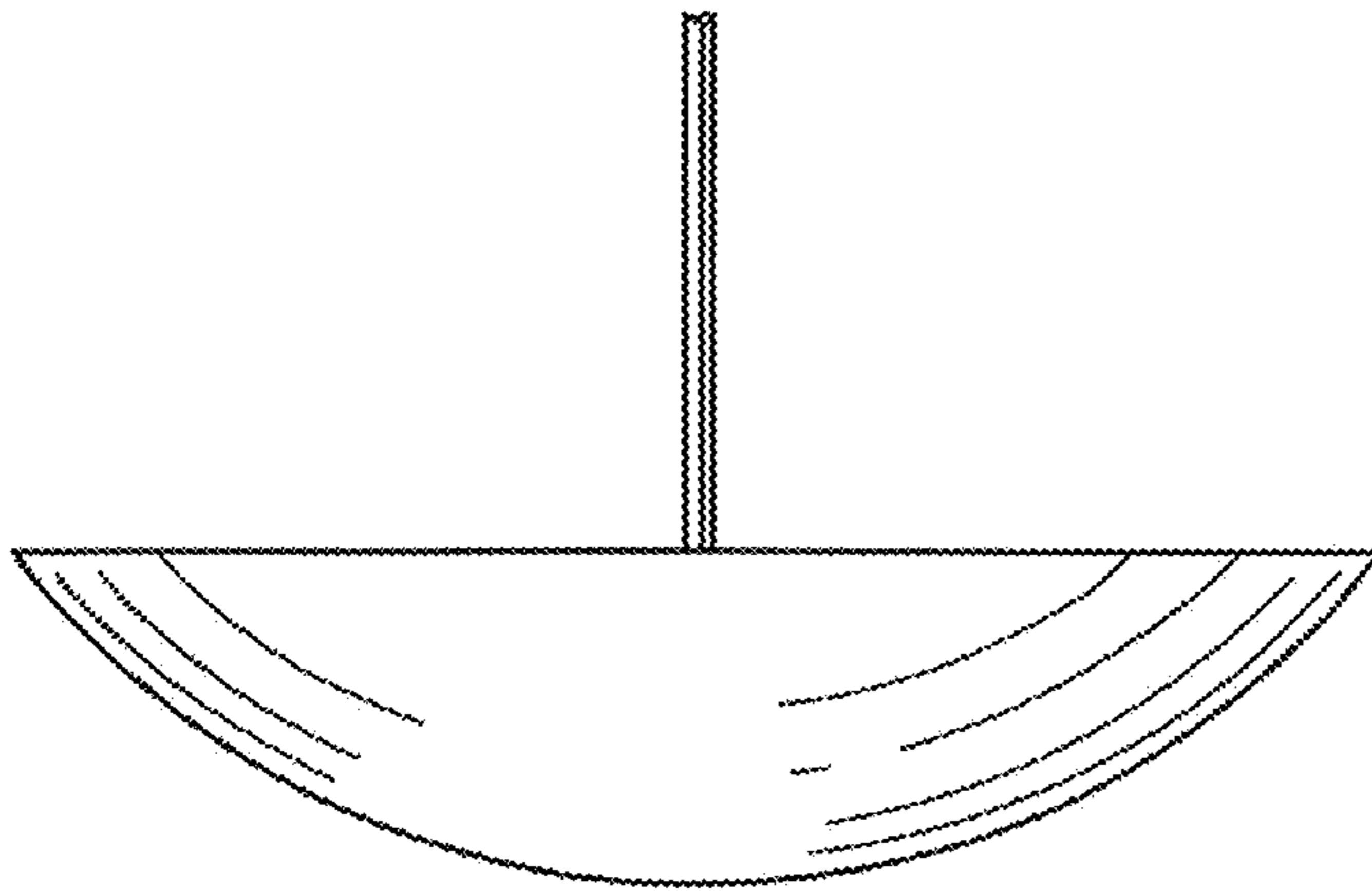


FIG. 7

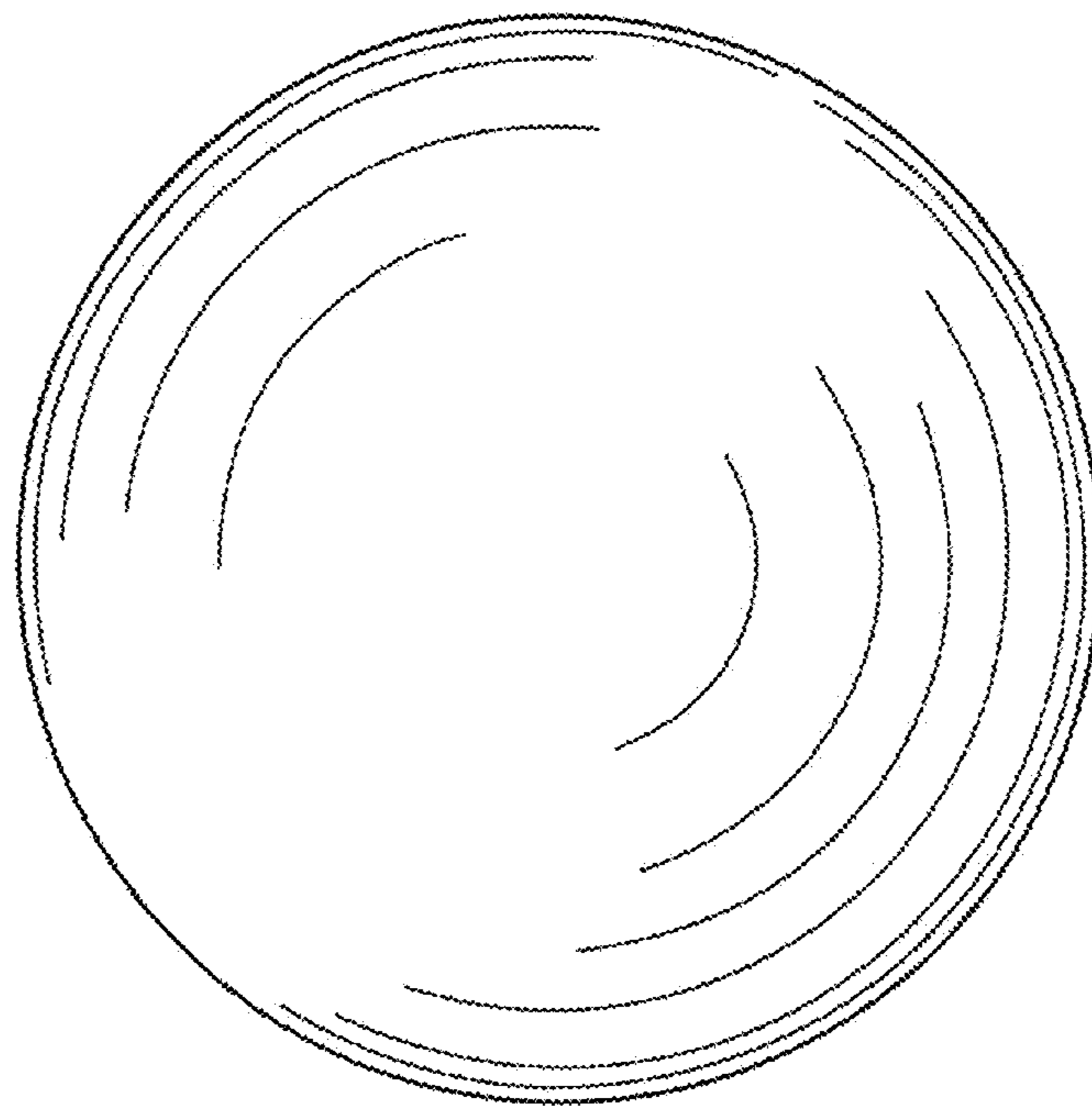


FIG. 8