



US00D755432S

(12) **United States Design Patent**
Orozco

(10) **Patent No.:** **US D755,432 S**

(45) **Date of Patent:** **** May 3, 2016**

(54) **LIGHT FIXTURE**

(71) Applicant: **Quoizel, Inc.**, Goose Creek, SC (US)

(72) Inventor: **Sergio J. Orozco**, West New York, NJ (US)

(73) Assignee: **Quoizel, Inc.**, Goose Creek, SC (US)

(**) Term: **14 Years**

(21) Appl. No.: **29/514,639**

(22) Filed: **Jan. 14, 2015**

(51) **LOC (10) Cl.** **26-03**

(52) **U.S. Cl.**
USPC **D26/83; D26/82**

(58) **Field of Classification Search**
USPC D26/72, 80-84, 88-91, 118, 143, 144;
362/147, 404-408, 249.02
CPC F21S 8/028; F21S 8/036; F21S 8/04;
F21S 8/043; F21S 8/046; F21S 8/06; F21S
8/061; F21S 8/063; F21S 8/065; F21S 8/068;
F21V 21/03

See application file for complete search history.

(56) **References Cited**

U.S. PATENT DOCUMENTS

D57,755 S *	4/1921	Willman	D26/88
D68,207 S *	9/1925	Gosling	D26/88
D76,715 S *	10/1928	Standiford	D26/82
D119,203 S *	2/1940	Krueger	D26/88
D156,554 S *	12/1949	Novin	D26/90
D242,065 S *	10/1976	Glassman	D26/82
D263,761 S *	4/1982	Glassman	D26/83

D620,174 S *	7/2010	Sabernig	D26/83
D697,249 S *	1/2014	Pyle	D26/85
D723,208 S *	2/2015	Phillips	D26/81
2015/0285451 A1 *	10/2015	Luo	F21S 8/061 362/96

OTHER PUBLICATIONS

“POP” and “POP 2” shown on pp. 96 and 97 of the Eurofase Lighting Illuminations Catalog No. MKT-CAT-EF09. © 2009. (2 pages, includes rear cover of catalog).*

* cited by examiner

Primary Examiner — Clare E Heflin

(74) *Attorney, Agent, or Firm* — Nelson Mullins Riley & Scarborough, LLP

(57) **CLAIM**

The ornamental design for a light fixture, as shown and described.

DESCRIPTION

FIG. 1 is a perspective view of a light fixture embodying the design of the present invention.

FIG. 2 is a front side elevational view of the light fixture illustrated in FIG. 1.

FIG. 3 is a back side elevational view of the light fixture illustrated in FIG. 1.

FIG. 4 is a top view of the light fixture illustrated in FIG. 1.

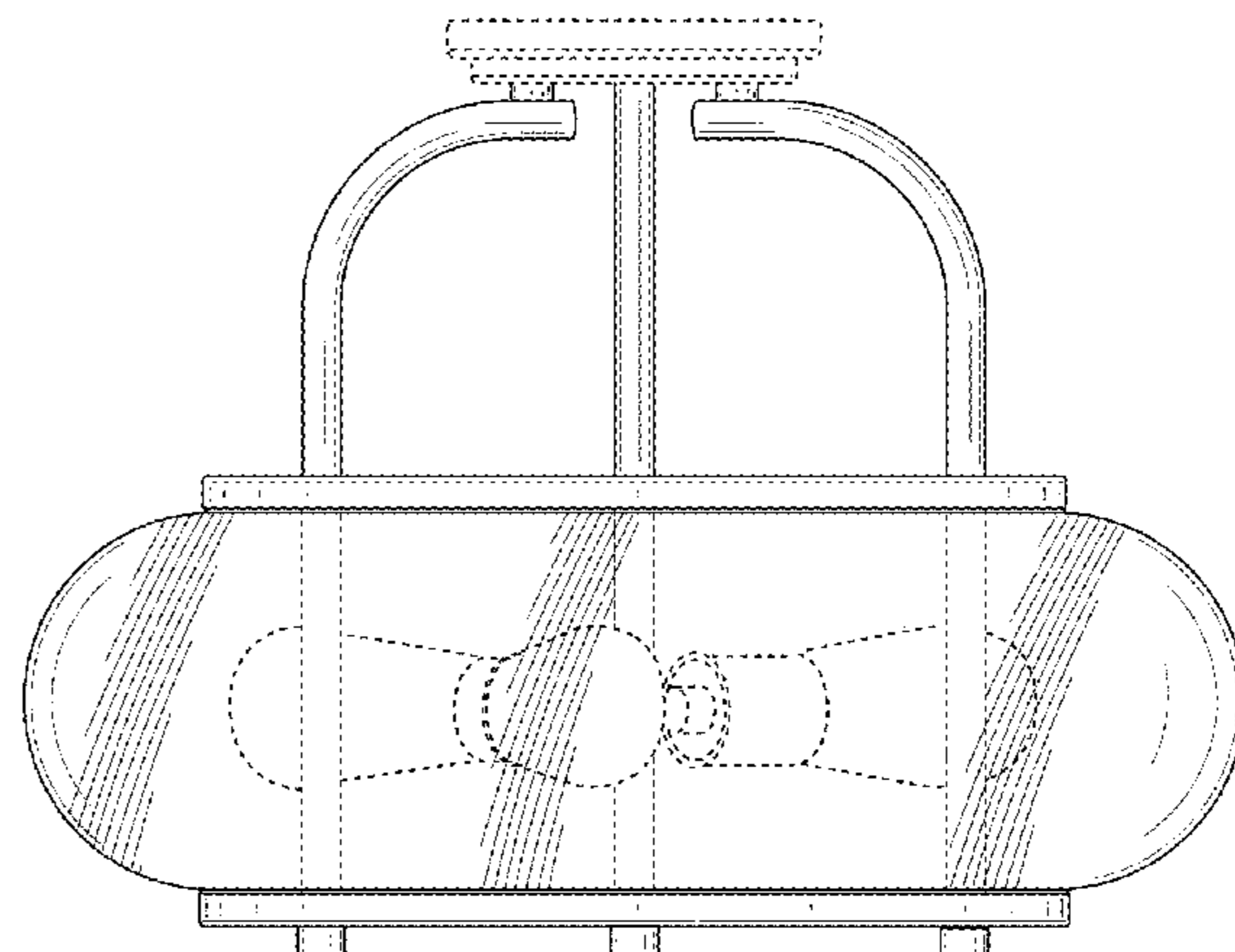
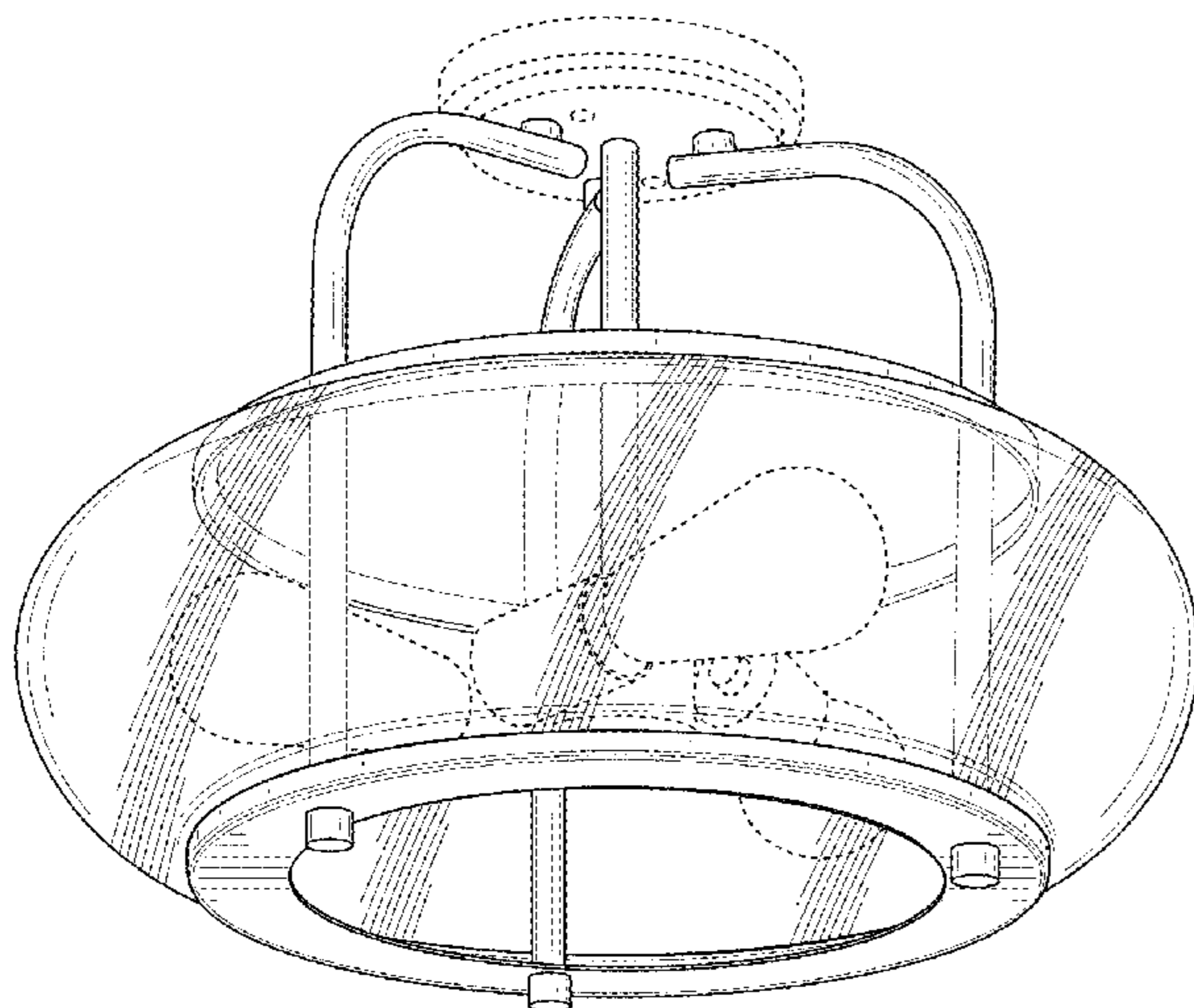
FIG. 5 is a bottom view of the light fixture illustrated in FIG. 1.

FIG. 6 is a right side elevational view of the light fixture illustrated in FIG. 1; and,

FIG. 7 is a left side elevational view of the light fixture illustrated in FIG. 1.

The broken lines shown on the drawings depict portions of the light fixture that form no part of the claimed design.

1 Claim, 7 Drawing Sheets



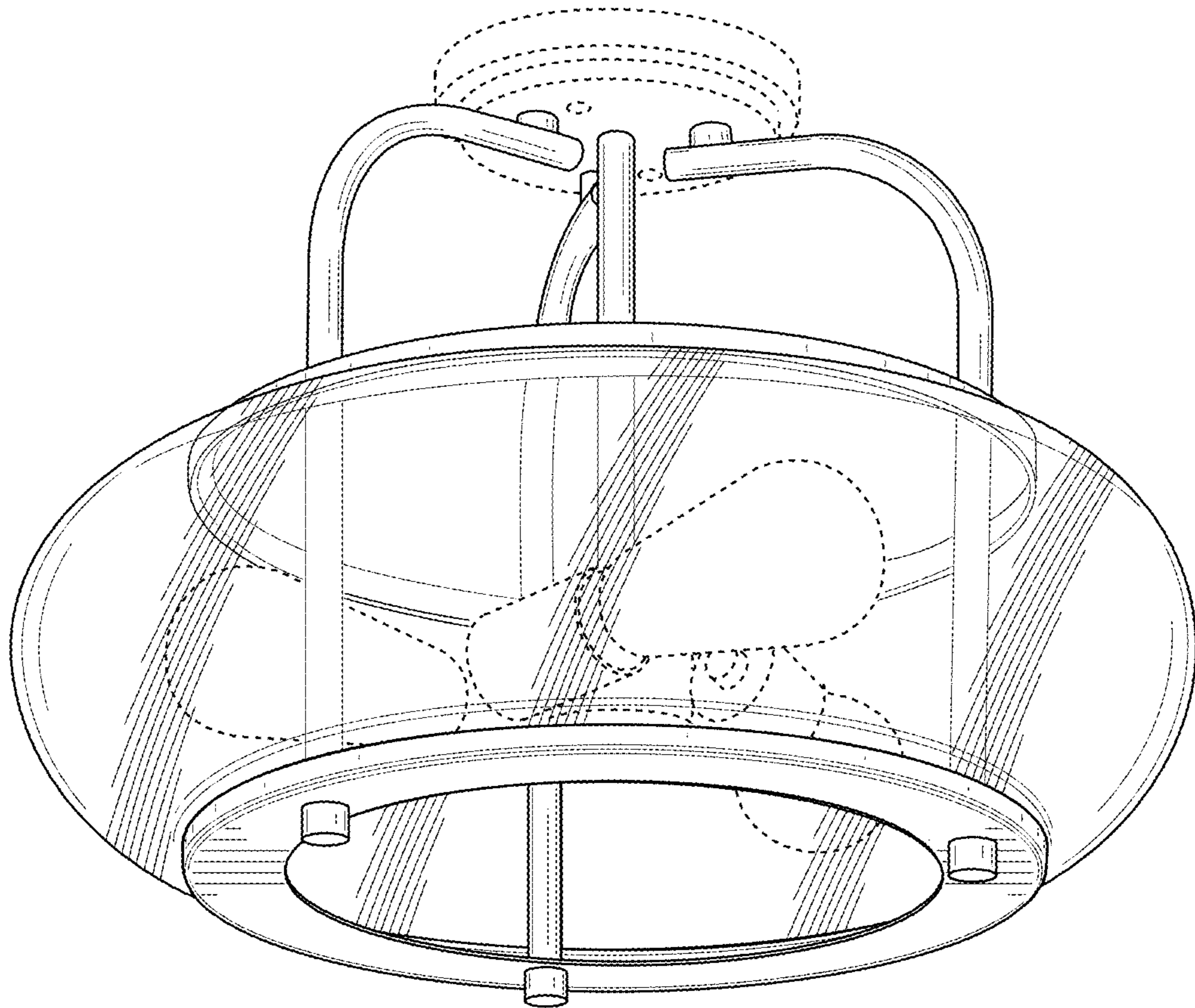


FIG. 1

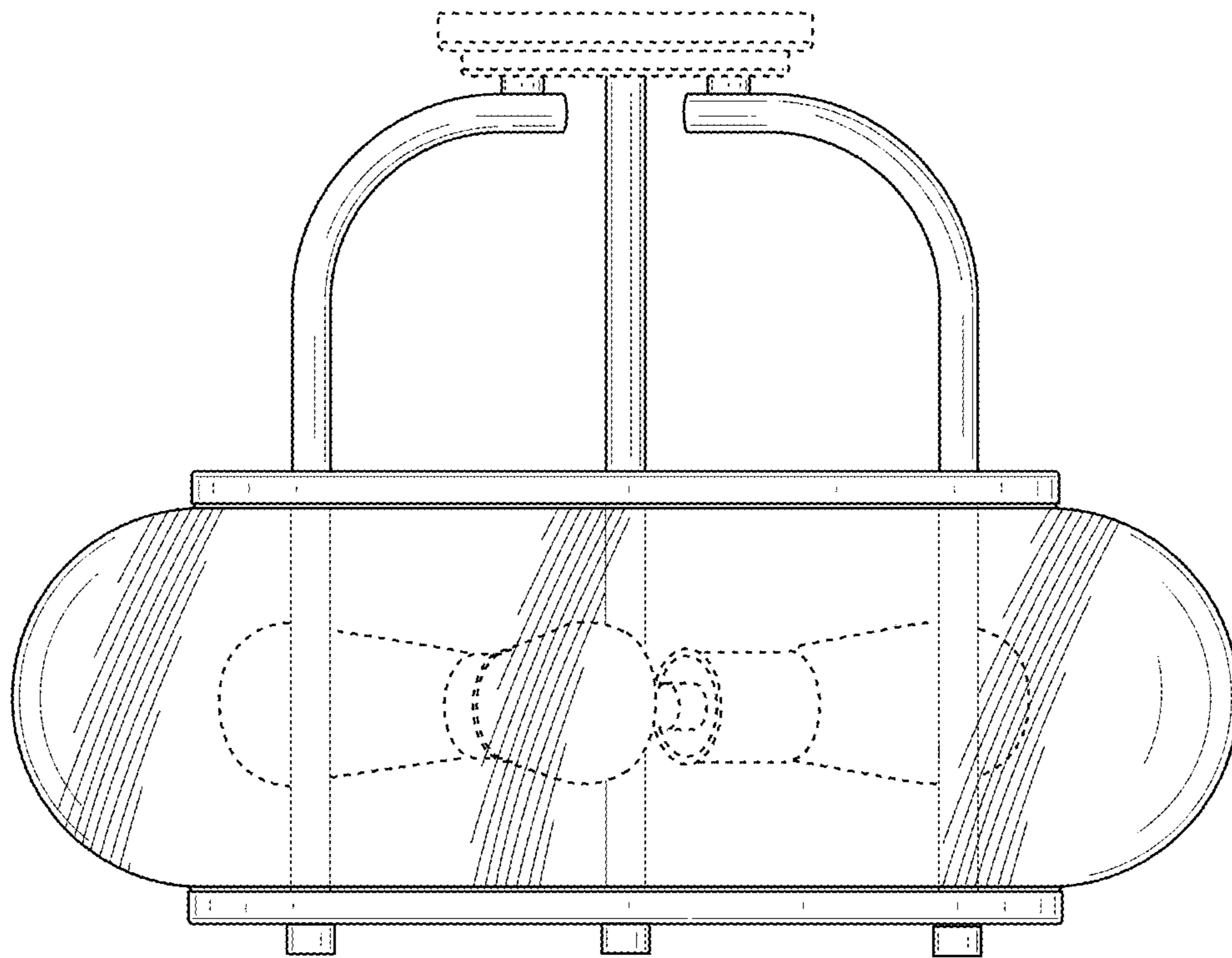


FIG. 2

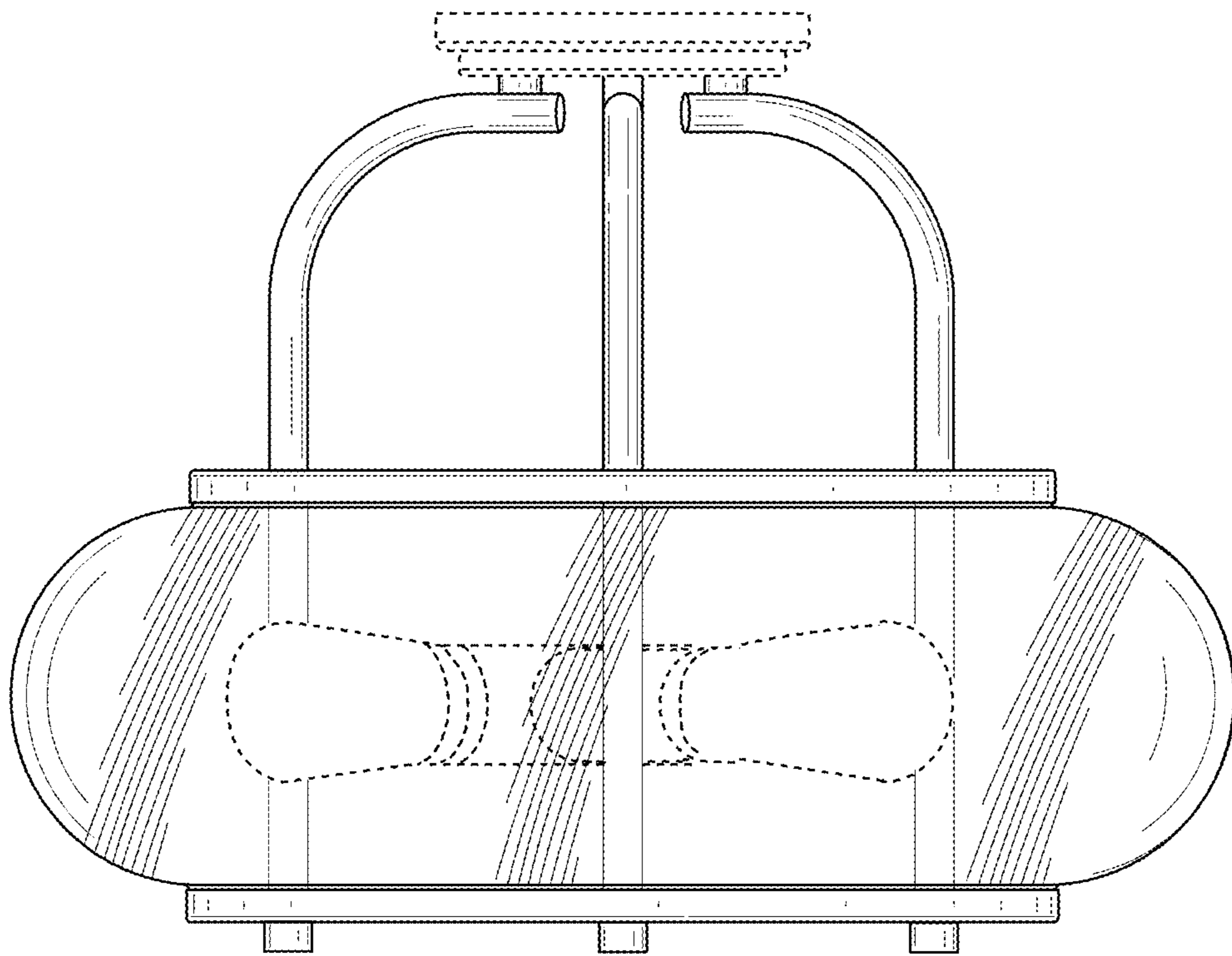


FIG. 3

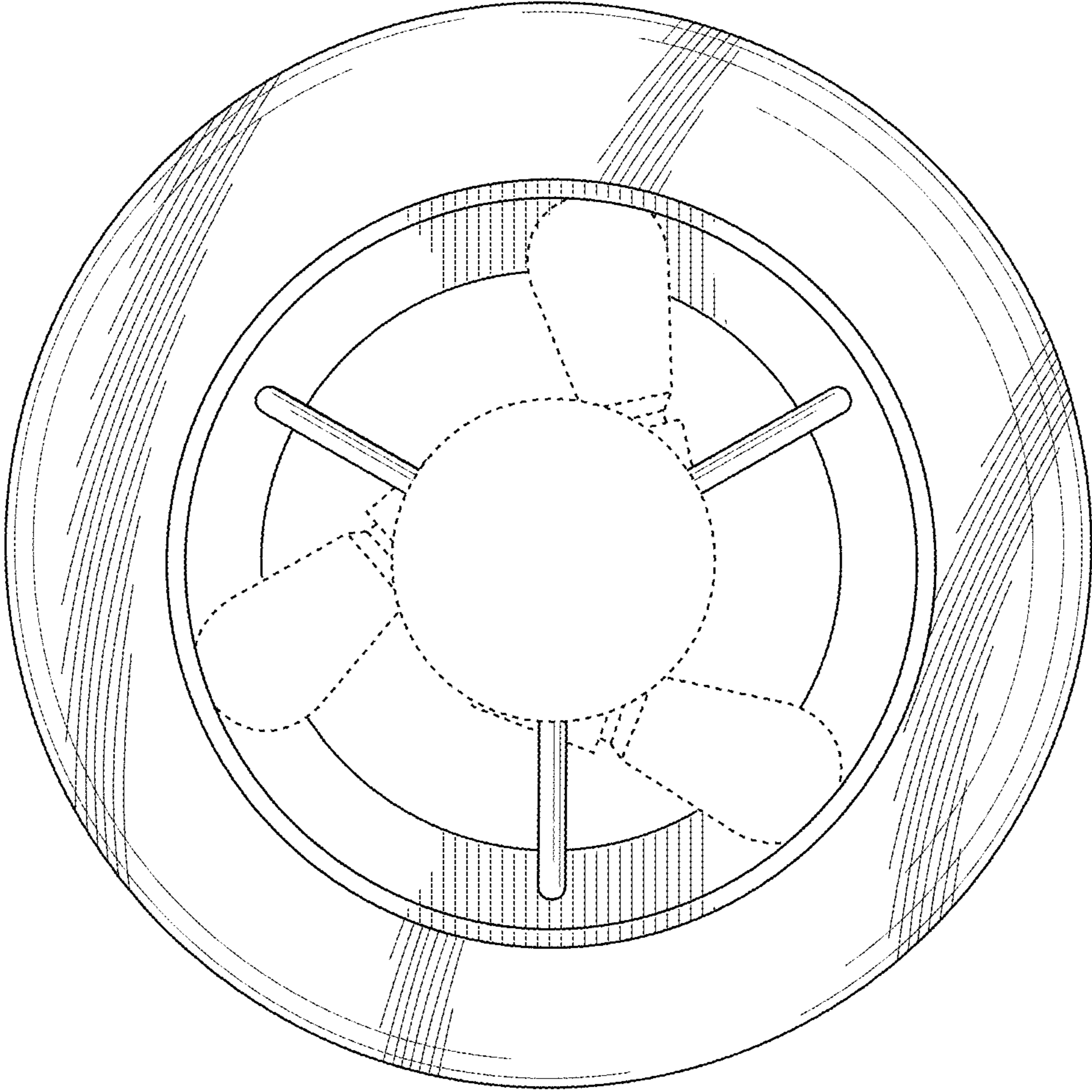


FIG. 4

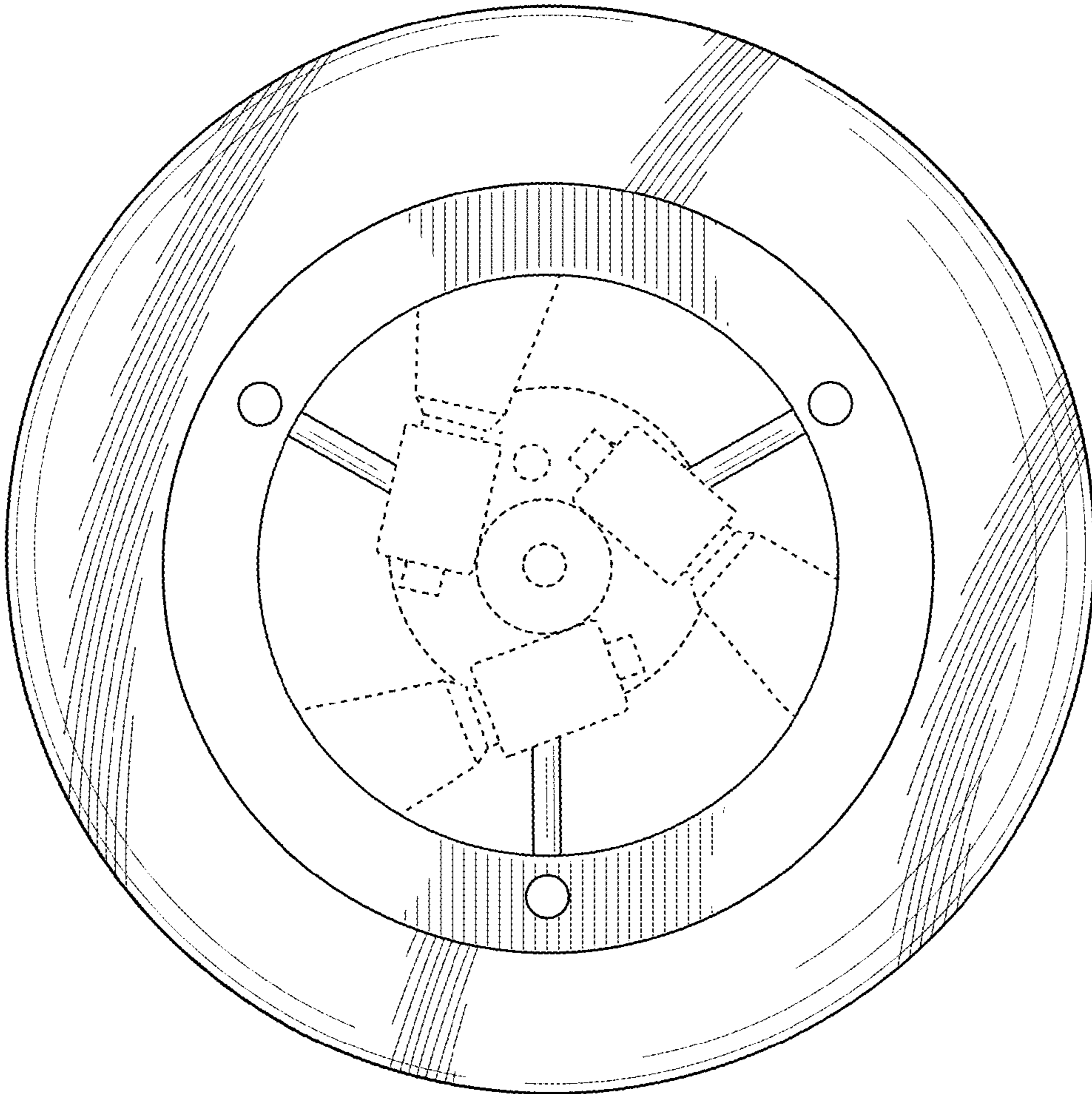


FIG. 5

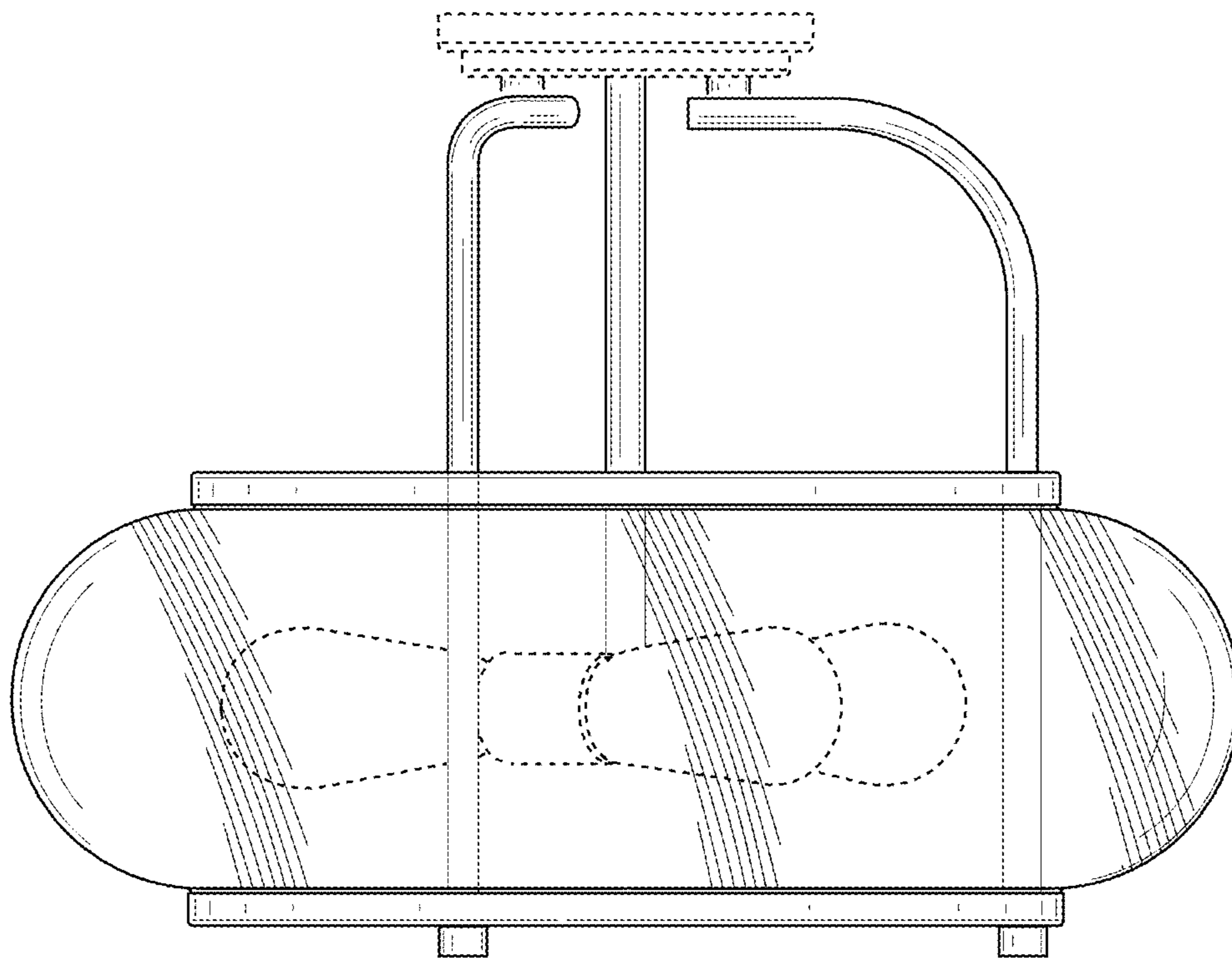


FIG. 6

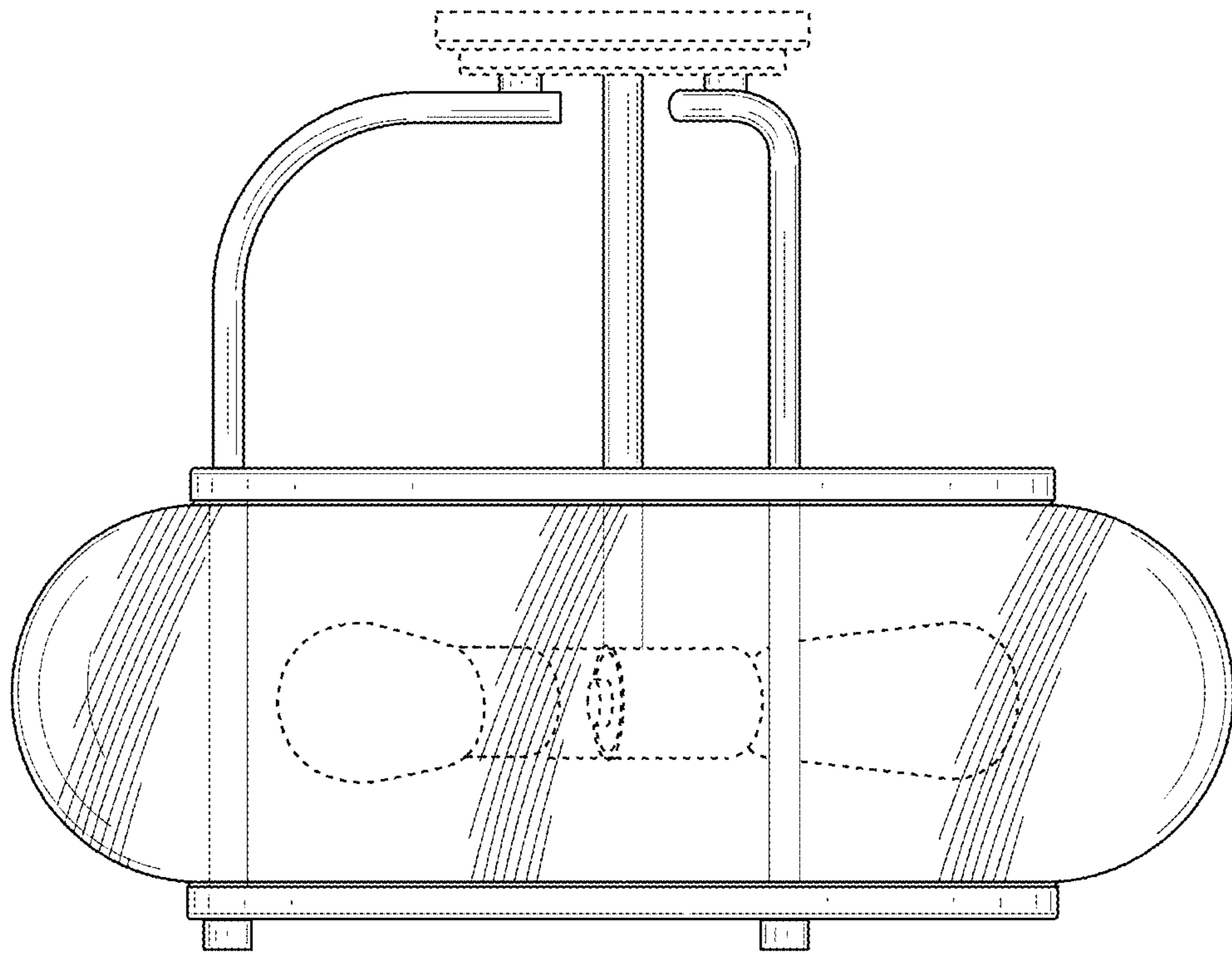


FIG. 7