



US00D755431S

(12) **United States Design Patent**  
**Chen et al.**

(10) **Patent No.:** **US D755,431 S**

(45) **Date of Patent:** **\*\* May 3, 2016**

(54) **HOUSING FOR LED LIGHTING FIXTURE**

(71) Applicant: **HANGZHOU HPWINNER OPTO CORPORATION**, Hangzhou (CN)

(72) Inventors: **Kai Chen**, Hangzhou (CN); **Jianming Huang**, Hangzhou (CN)

(73) Assignee: **Hangzhou HP Winner Opto Corporation**, Hangzhou (CN)

(\*\*) Term: **14 Years**

(21) Appl. No.: **29/506,817**

(22) Filed: **Oct. 21, 2014**

(30) **Foreign Application Priority Data**

May 27, 2014 (CN) ..... 2014 3 0152395

(51) **LOC (10) Cl.** ..... **26-05**

(52) **U.S. Cl.**  
USPC ..... **D26/67; D26/71**

(58) **Field of Classification Search**  
USPC ..... D26/67-72, 92  
CPC ..... F21S 8/033; F21S 8/036; F21S 8/085;  
F21S 8/086; F21S 8/088; F21S 9/03; F21S  
9/032; F21S 9/035; F21S 9/037; F21W  
2131/103; F21W 2131/107  
See application file for complete search history.

(56) **References Cited**

**U.S. PATENT DOCUMENTS**

3,156,418 A \* 11/1964 Jablonski ..... F21S 8/088  
248/219.2  
3,170,634 A \* 2/1965 Harling ..... F21S 8/088  
362/223  
D285,010 S \* 8/1986 Mullins ..... D26/67  
D294,397 S \* 2/1988 Ewing ..... D26/71

D294,646 S \* 3/1988 Ewing ..... D26/71  
D295,792 S \* 5/1988 Ewing ..... D26/71  
D529,653 S \* 10/2006 Galipeau ..... D26/67  
D588,292 S \* 3/2009 Sabernig ..... D26/71  
D599,935 S \* 9/2009 van Klinken ..... D26/67  
D614,795 S \* 4/2010 van Klinken ..... D26/71  
D616,136 S \* 5/2010 Lavallee ..... D26/68  
7,784,967 B2 \* 8/2010 Lodhie ..... F21K 9/00  
362/249.02  
D711,034 S \* 8/2014 Sturgis ..... D26/71

\* cited by examiner

*Primary Examiner* — Clare E Heflin

(74) *Attorney, Agent, or Firm* — Brown & Michaels, PC

(57) **CLAIM**

The ornamental design for a housing for LED lighting fixture, as shown and described.

**DESCRIPTION**

FIG. 1 is a front view of the housing for LED lighting fixture of the present invention.

FIG. 2 is a back view of the housing for LED lighting fixture.

FIG. 3 is a top view of the housing for LED lighting fixture.

FIG. 4 is a bottom view of the housing for LED lighting fixture.

FIG. 5 is a left side view of the housing for LED lighting fixture.

FIG. 6 is a right side view of the housing for LED lighting fixture.

FIG. 7 is a first perspective view of the housing for LED lighting fixture; and,

FIG. 8 is a second perspective view of the housing for LED lighting fixture.

The broken lines shown on the drawings depict portions of the housing for LED lighting fixture that form no part of the claimed design.

**1 Claim, 8 Drawing Sheets**

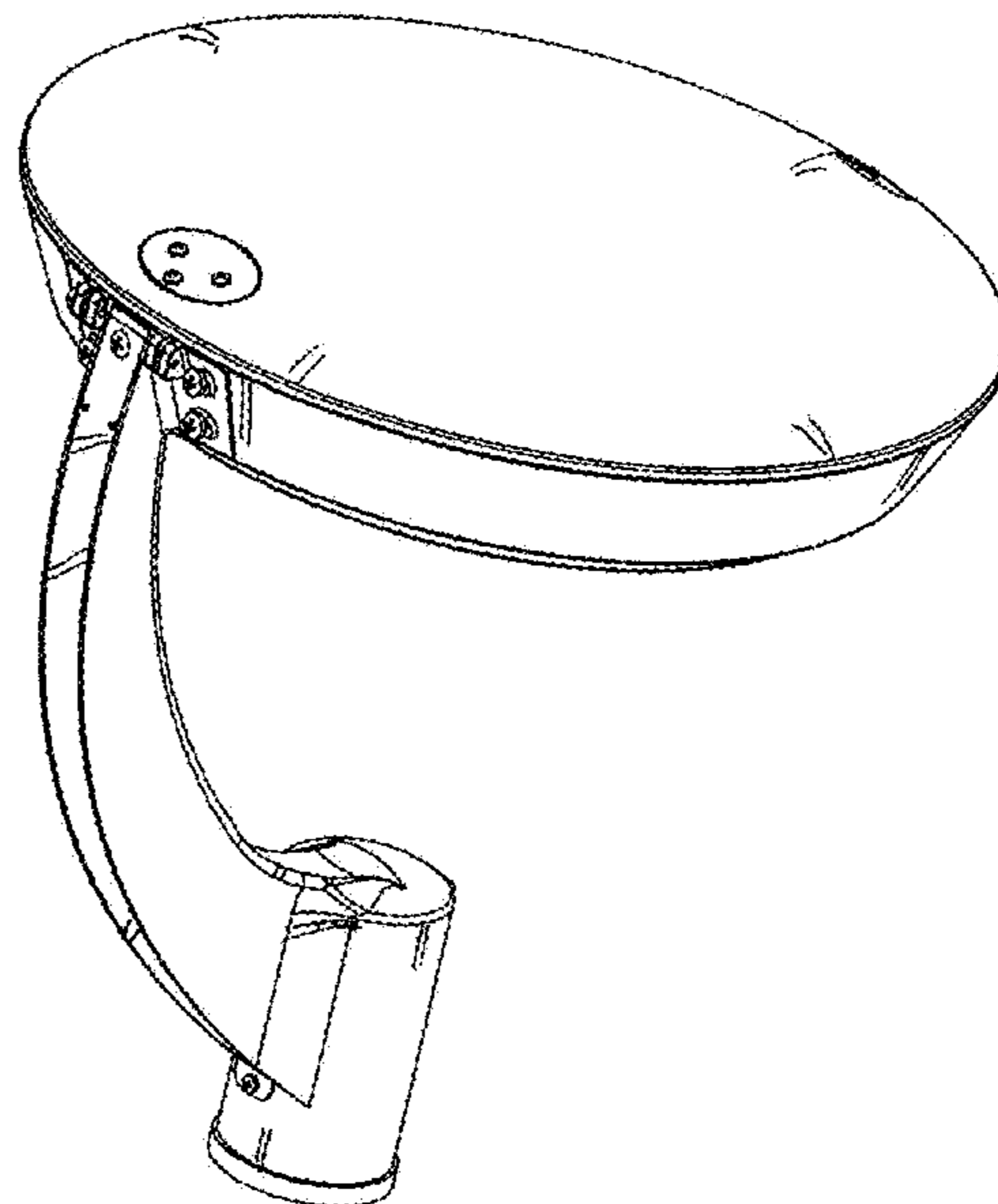
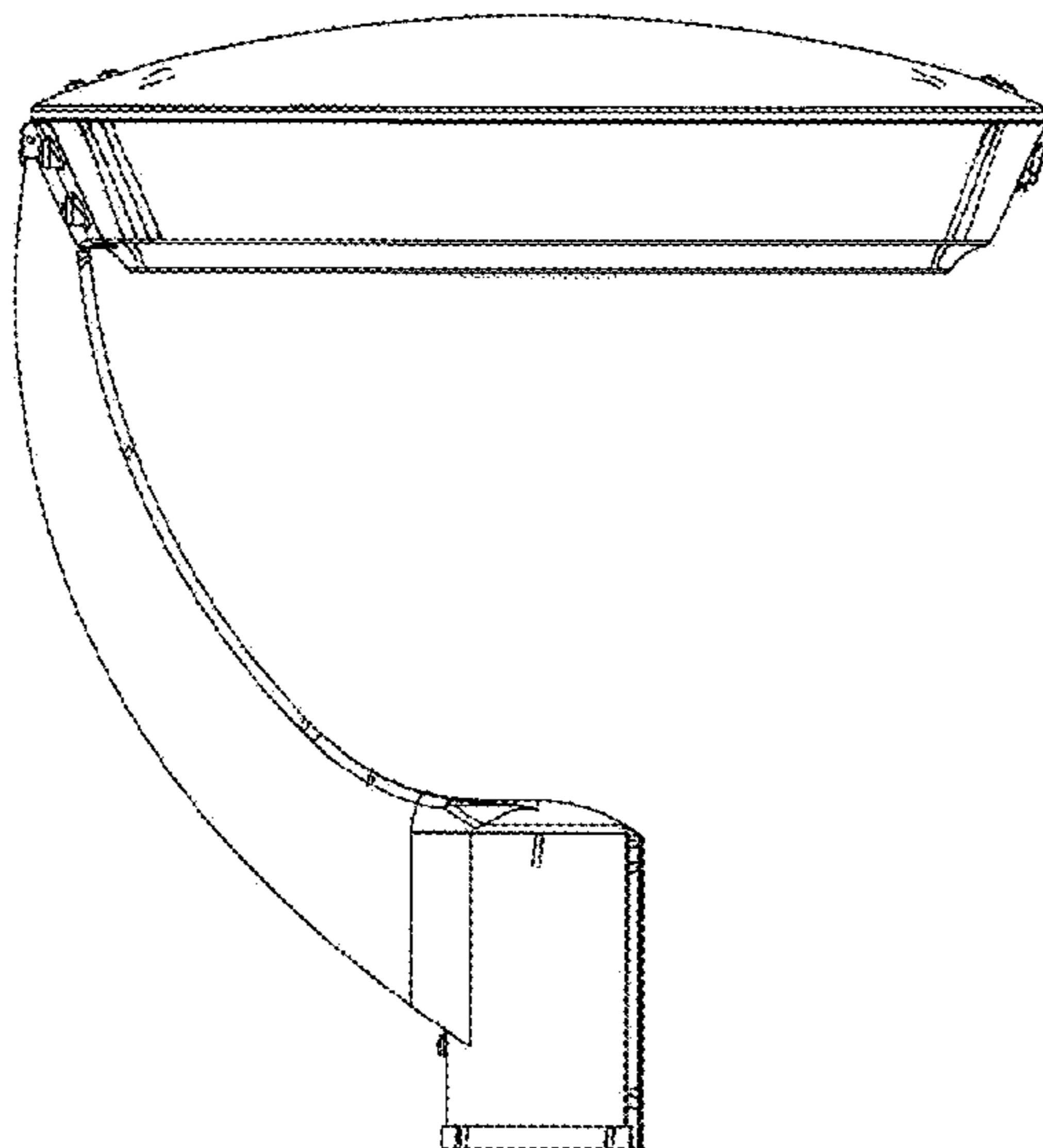


Fig. 1

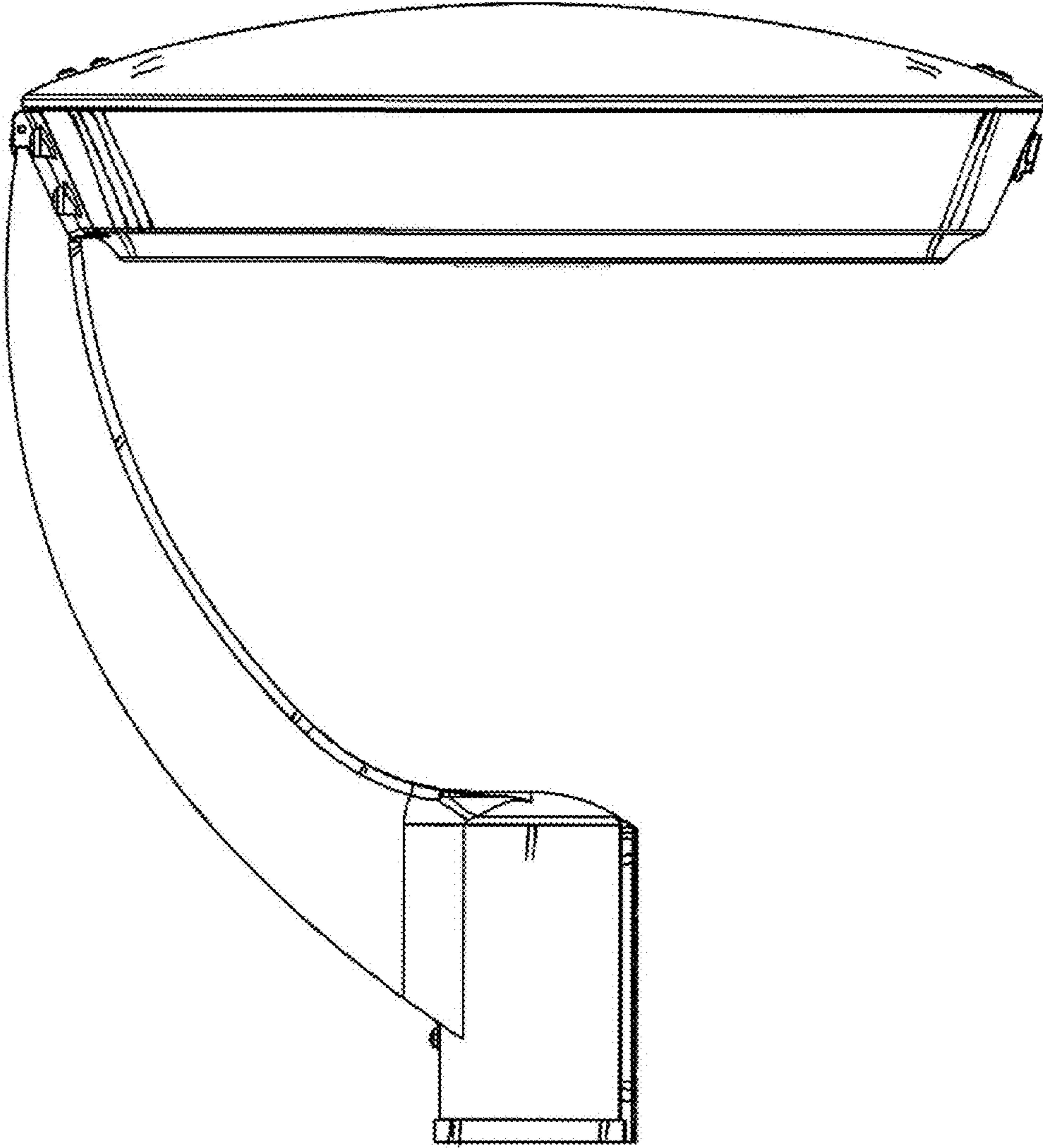


Fig. 2

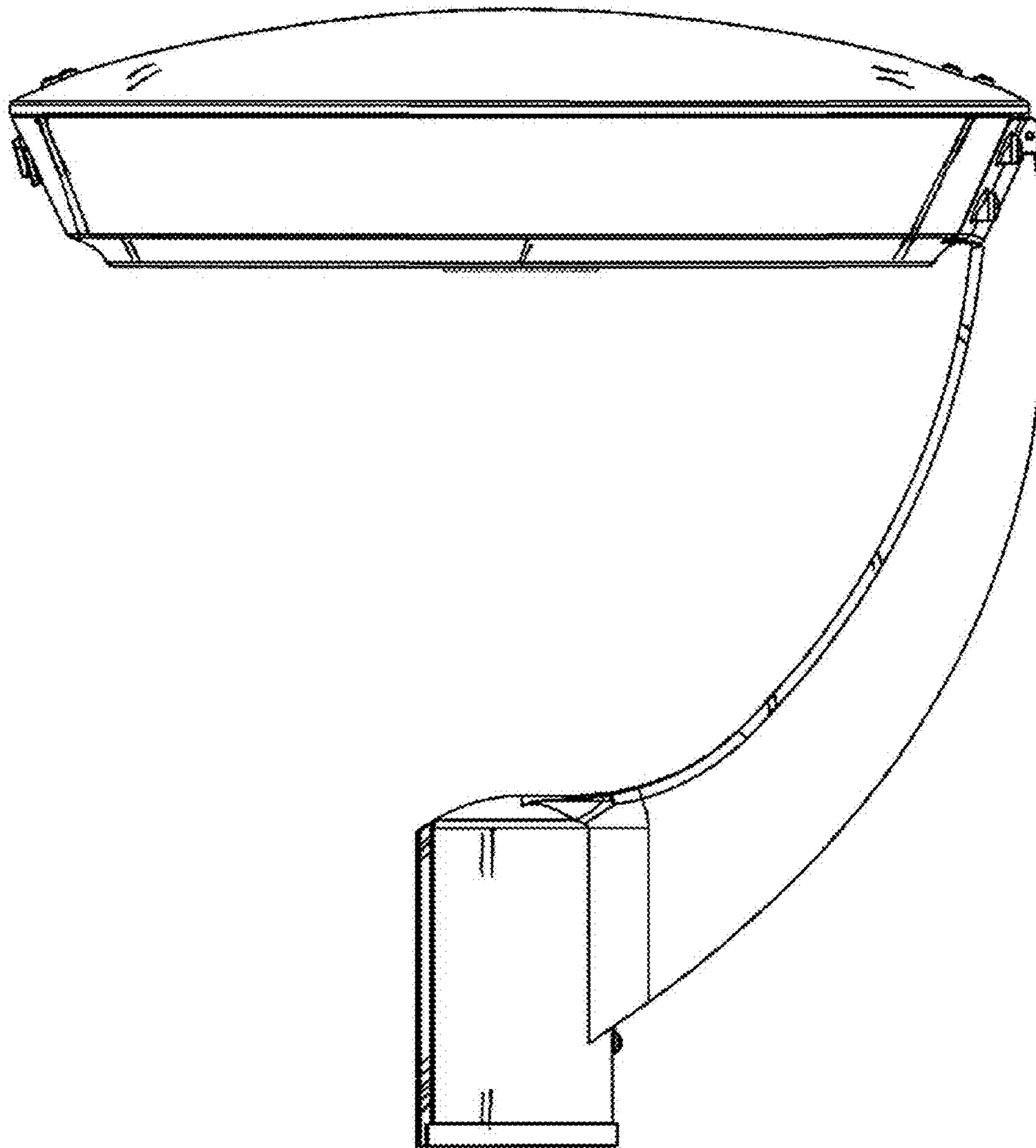


Fig. 3

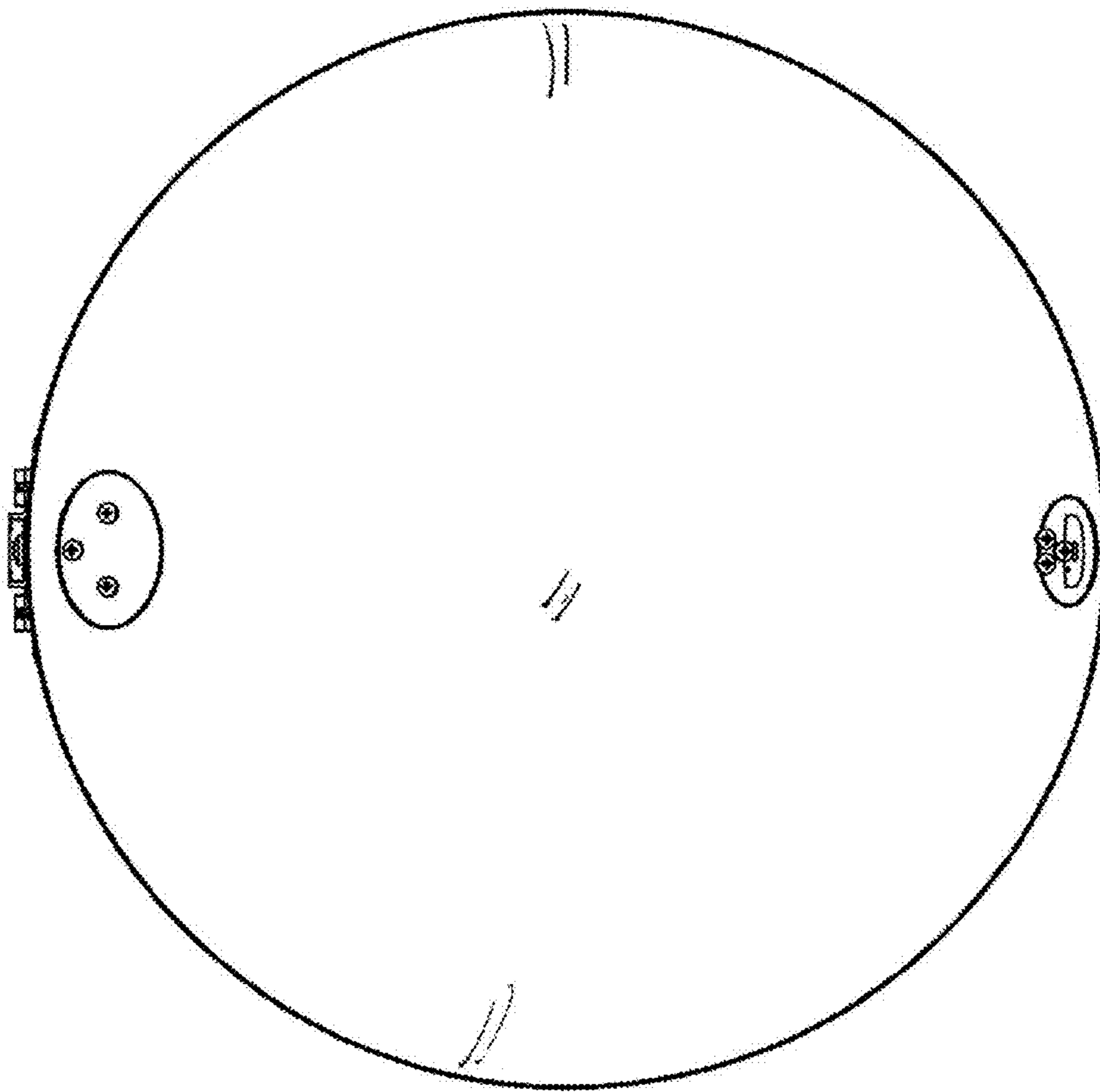


Fig. 4

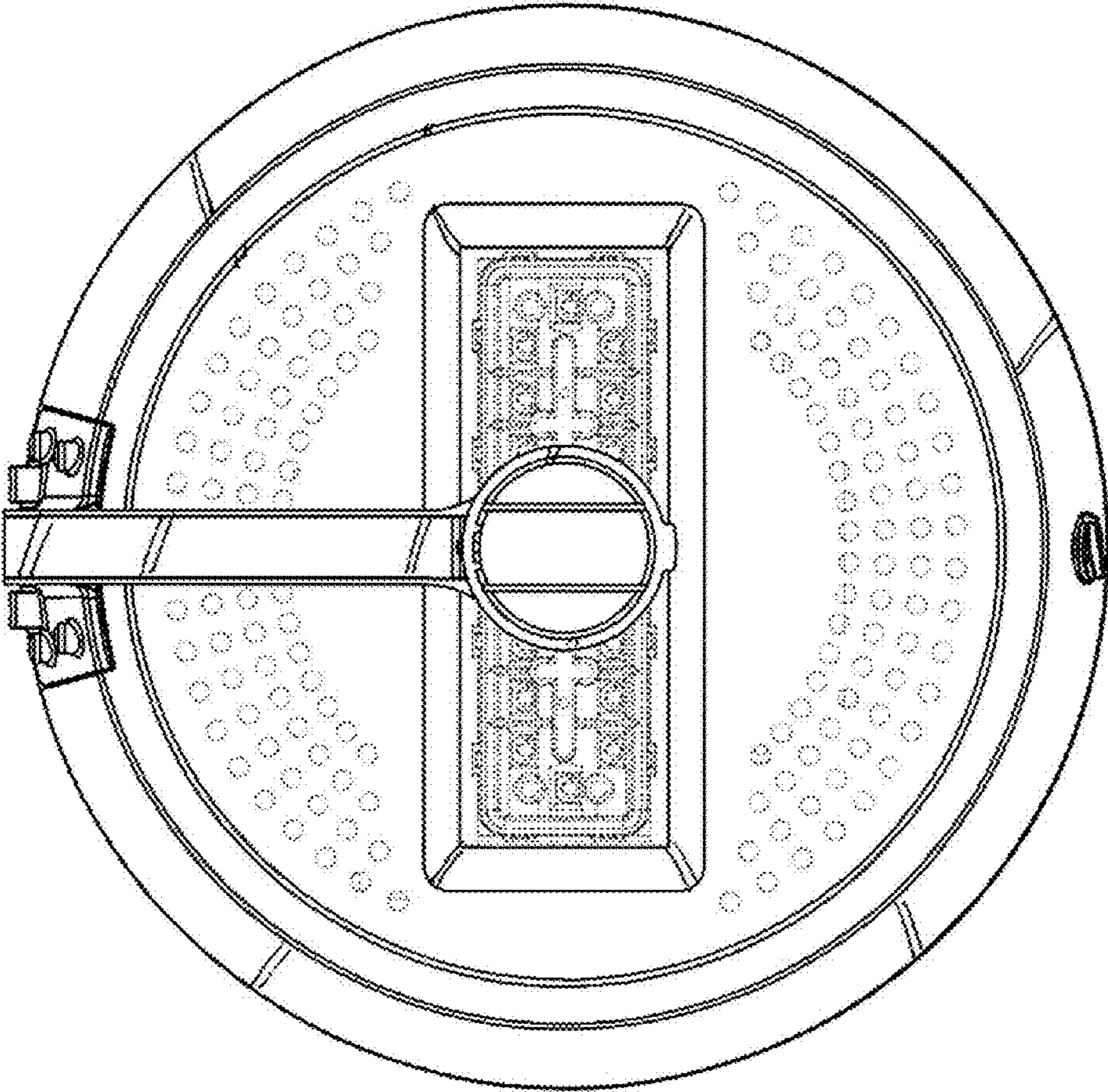


Fig. 5

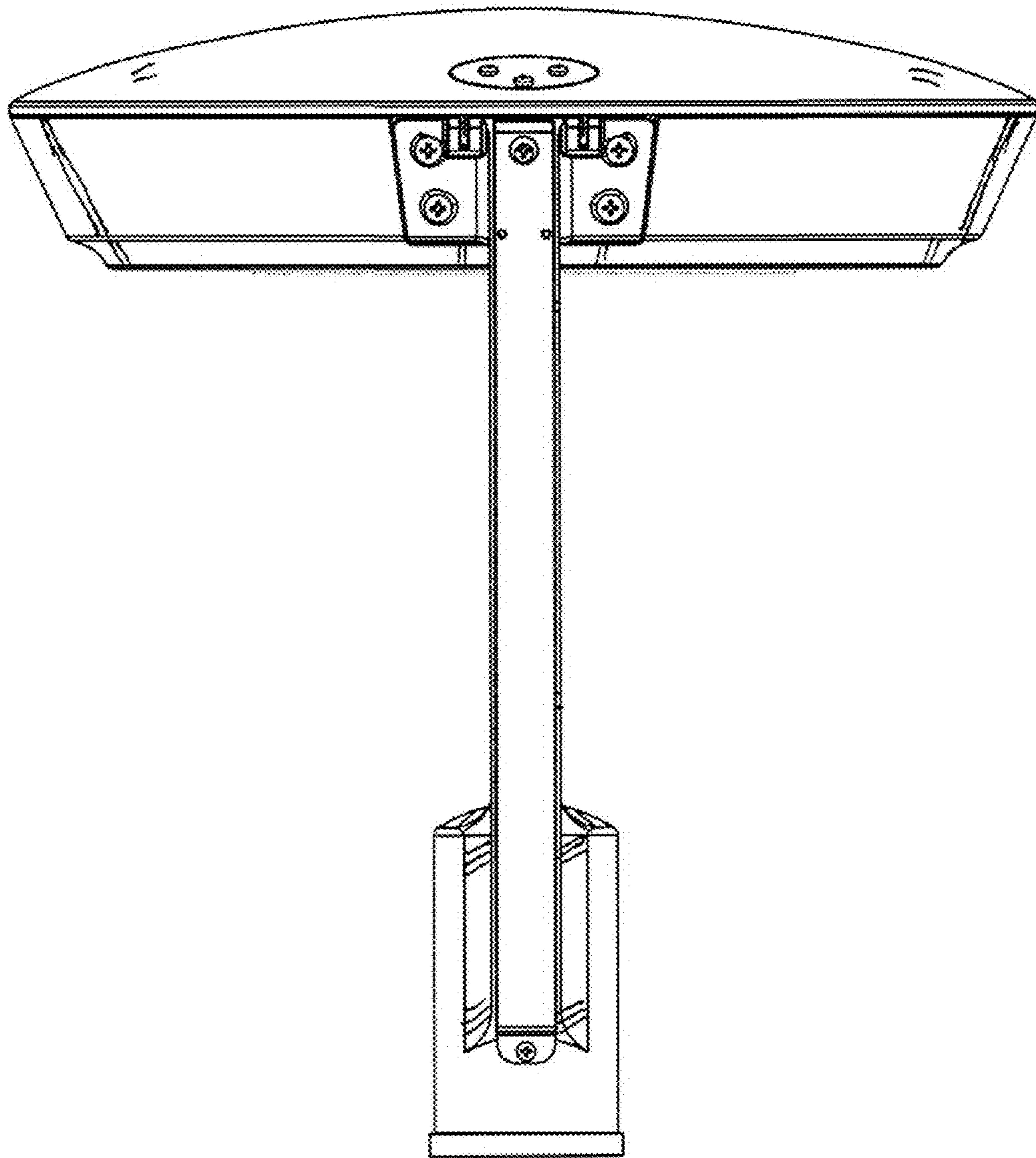


Fig. 6

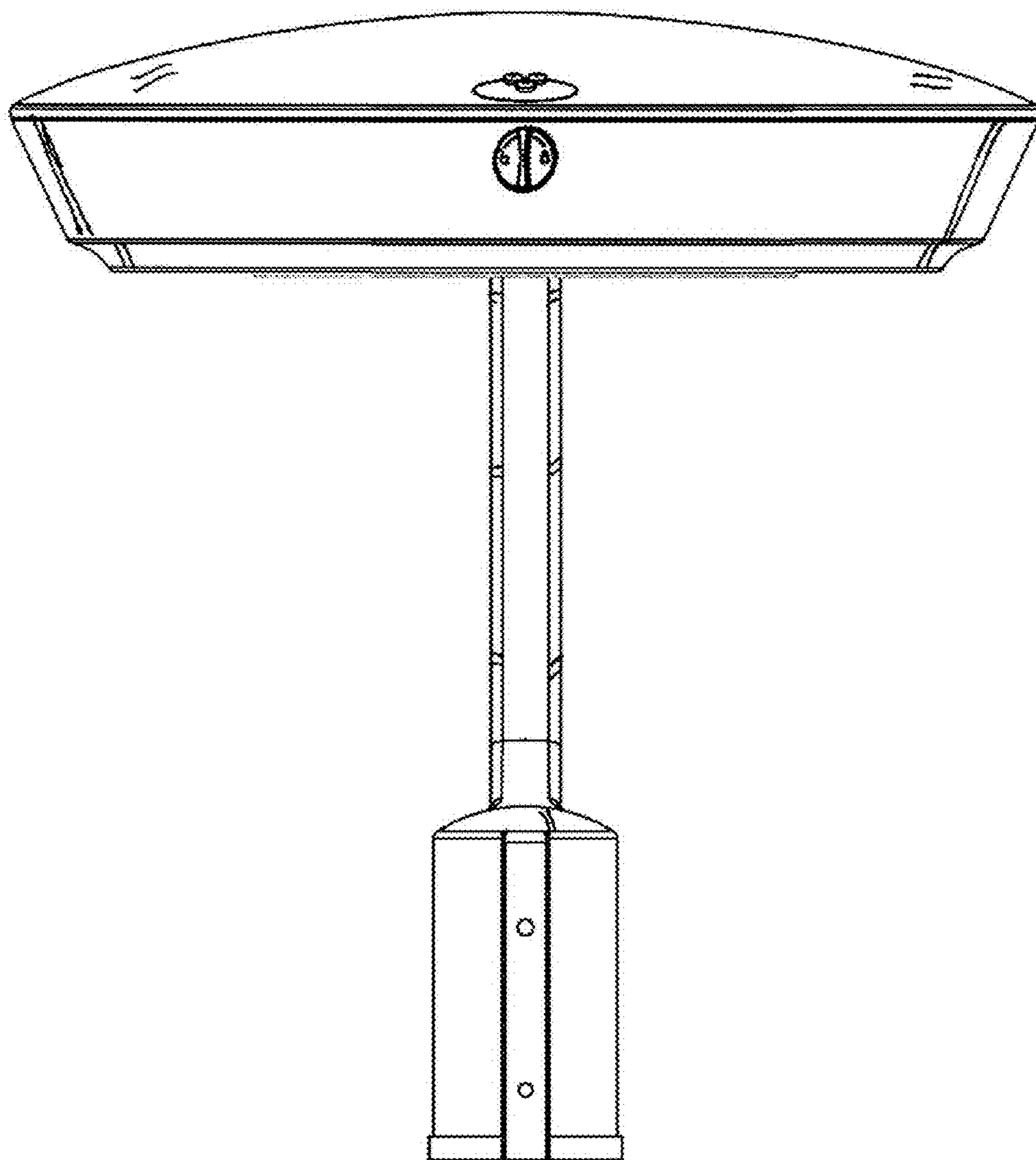


Fig. 7

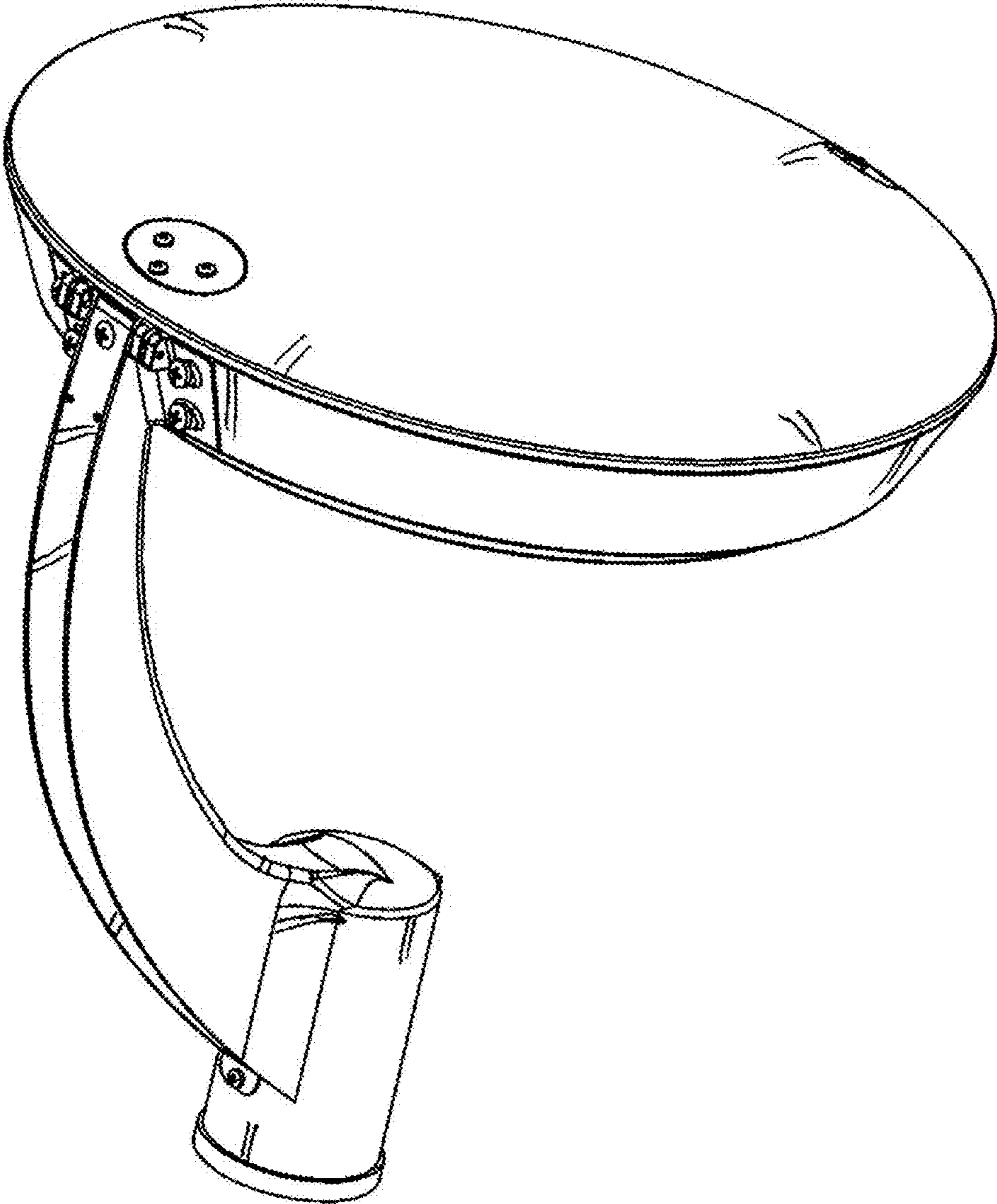




Fig. 8

