



US00D755428S

(12) **United States Design Patent**
Green

(10) **Patent No.:** **US D755,428 S**

(45) **Date of Patent:** **** May 3, 2016**

(54) **FLASHLIGHT**

D617,022 S * 6/2010 Kung D26/37
D629,544 S * 12/2010 Deguglimo D26/49
D645,592 S * 9/2011 Brands D26/49

(71) Applicant: **Homer TLC, Inc.**, Wilmington, DE
(US)

OTHER PUBLICATIONS

(72) Inventor: **Adam Green**, Atlanta, GA (US)

Images of Rayovac Indestructible 2 AA Flashlight, DIY2AA-B, publicly available prior to Aug. 22, 2014.

(73) Assignee: **Home Depot Product Authority, LLC**,
Atlanta, GA (US)

* cited by examiner

(**) Term: **14 Years**

Primary Examiner — Sandra Morris

(21) Appl. No.: **29/500,242**

(74) *Attorney, Agent, or Firm* — Greenberg Traurig, LLP

(22) Filed: **Aug. 22, 2014**

(57) **CLAIM**

(51) **LOC (10) Cl.** **26-02**

The ornamental design for a flashlight, as shown and described.

(52) **U.S. Cl.**

USPC **D26/37**

(58) **Field of Classification Search**

DESCRIPTION

USPC D26/37-51, 56-60, 67; 362/103-105,
362/184, 194-196, 202-206; D22/117
CPC F21L 4/00; F21L 4/005; F21L 4/022;
F21L 4/025; F21L 4/027; F21L 7/00; F21L
19/00; F21V 21/084; F21V 21/0085; F21W
2111/10

FIG. 1 is a perspective view of my design;
FIG. 2 is a front view thereof;
FIG. 3 is a right side view thereof;
FIG. 4 is a left side view thereof;
FIG. 5 is a back view thereof; and,
FIG. 6 is a top view thereof.

See application file for complete search history.

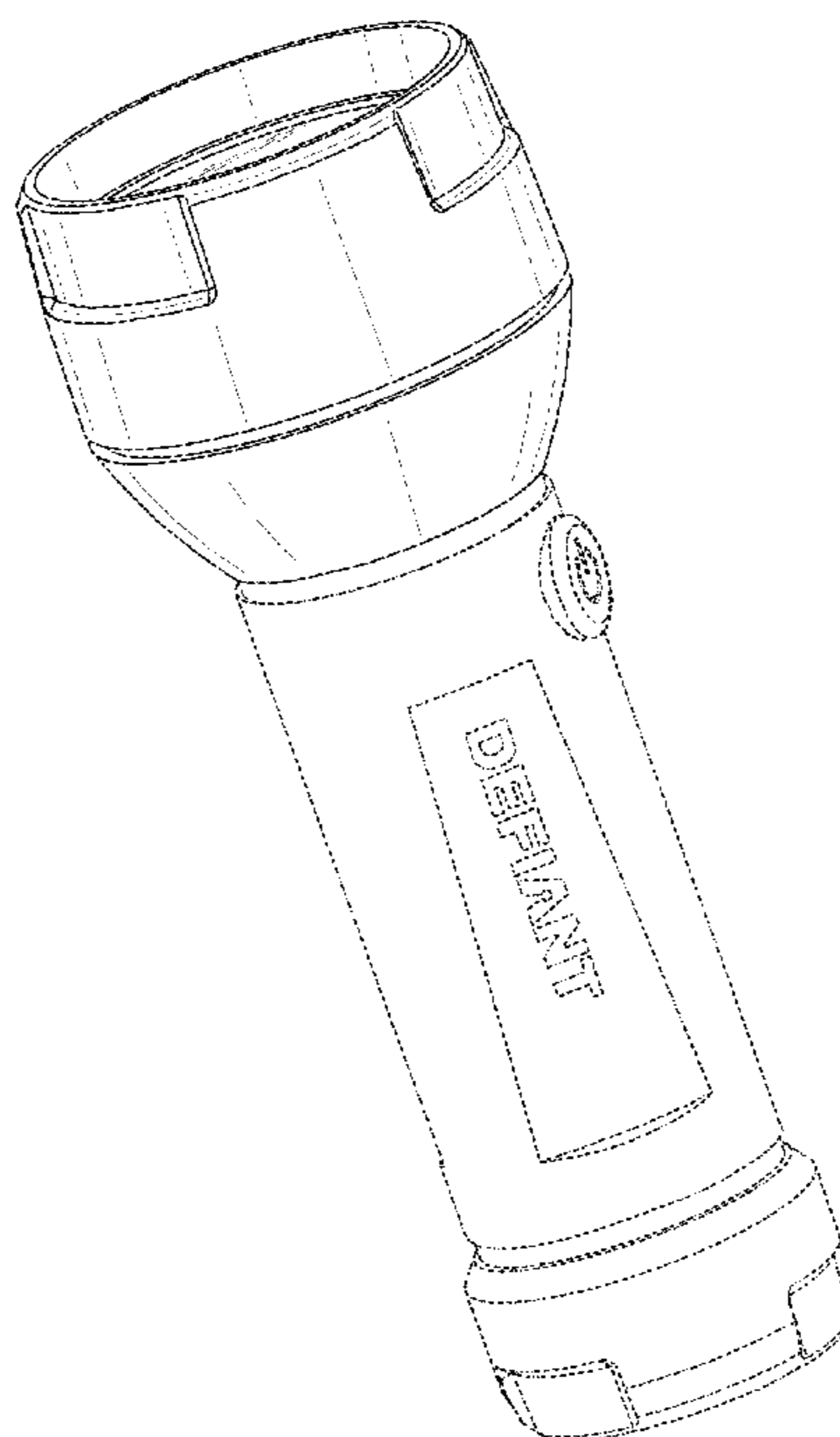
The oblique lines on the lens of my design (as visible in FIGS. 1 and 6) indicate that it is at least translucent and may be transparent. The dashed lines in the figures form no part of the claimed design. All other surface(s) or portion(s) of my flashlight not shown in the figures or otherwise described in the specification, such as the bottom thereof and such as the location behind the lens, form no part of the claimed design.

(56) **References Cited**

U.S. PATENT DOCUMENTS

D527,476 S * 8/2006 Craft D26/37
D574,982 S * 8/2008 Lau D26/37
D574,984 S * 8/2008 Hesse D26/37
D579,135 S * 10/2008 Shiu D26/49
D579,594 S * 10/2008 Hesse D26/37

1 Claim, 6 Drawing Sheets



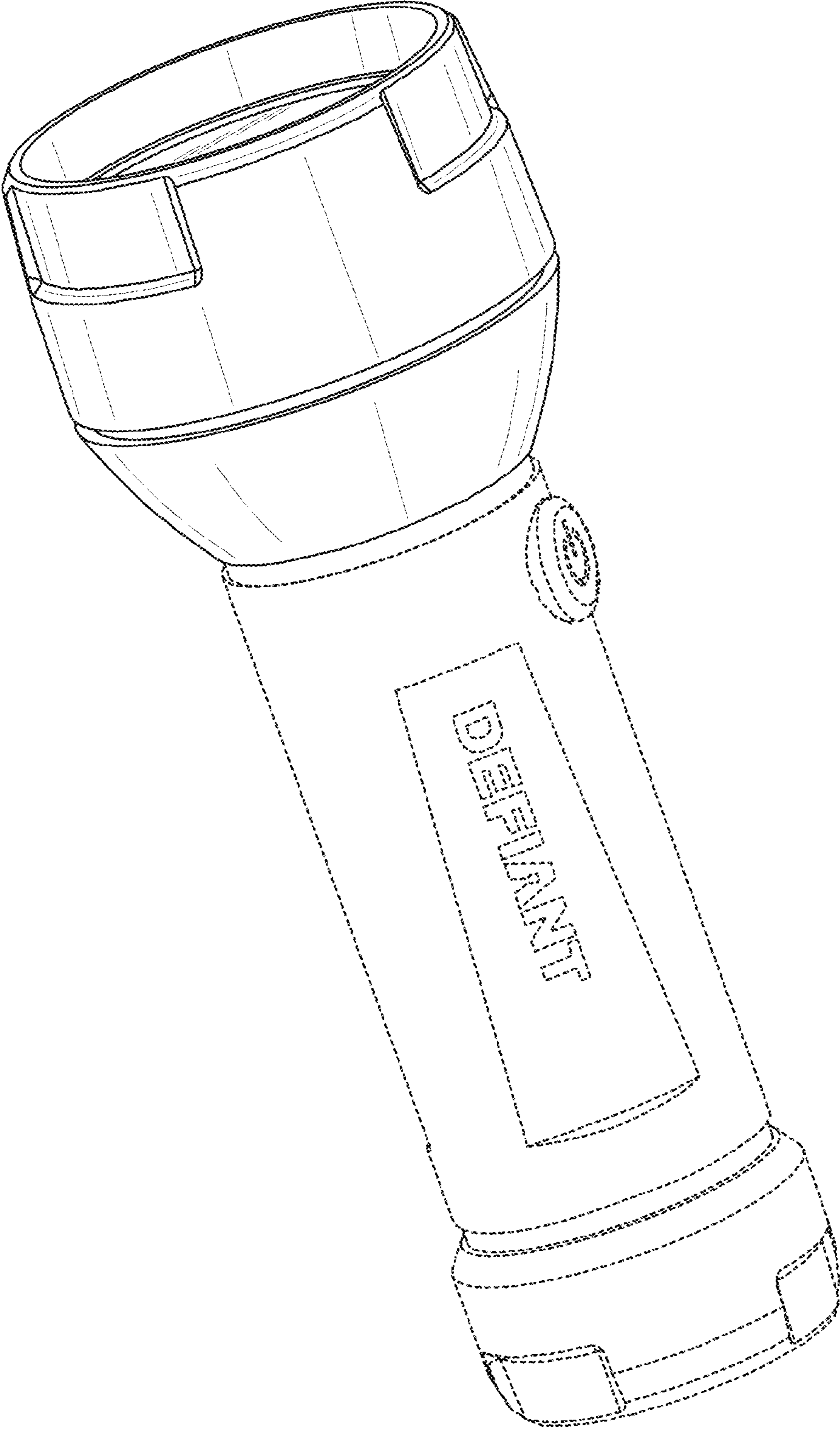


FIG. 1

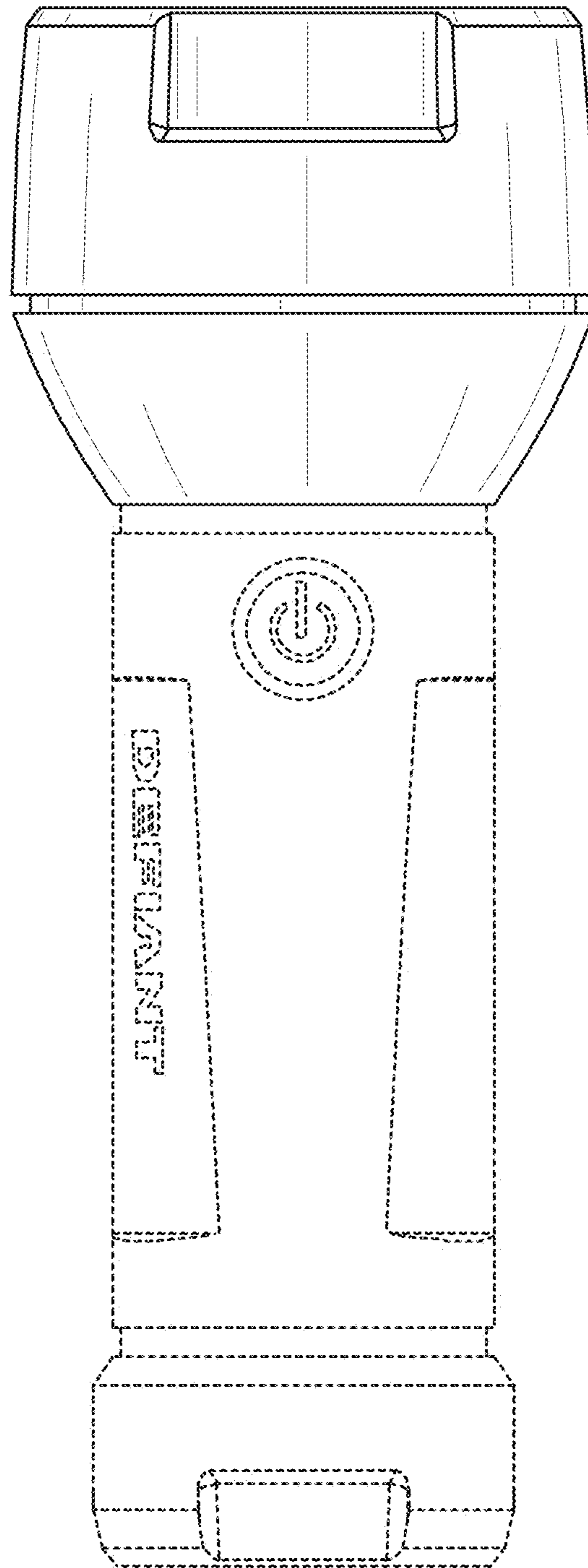


FIG. 2

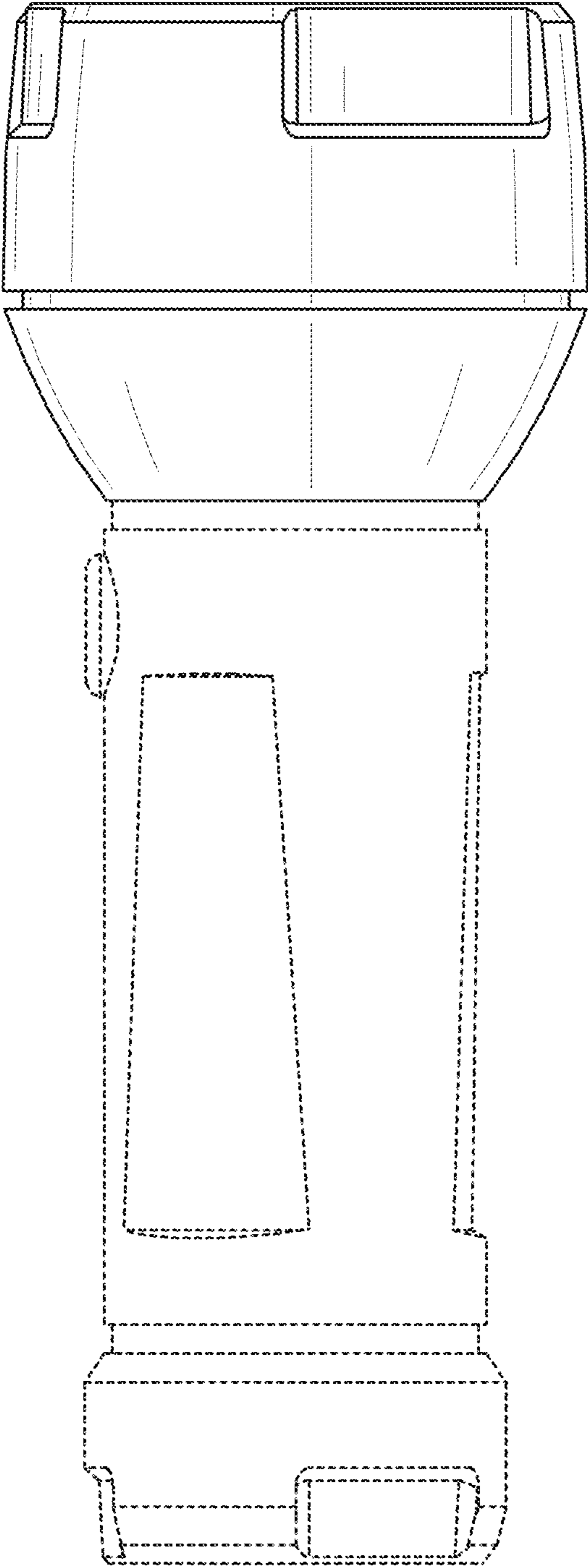


FIG. 3

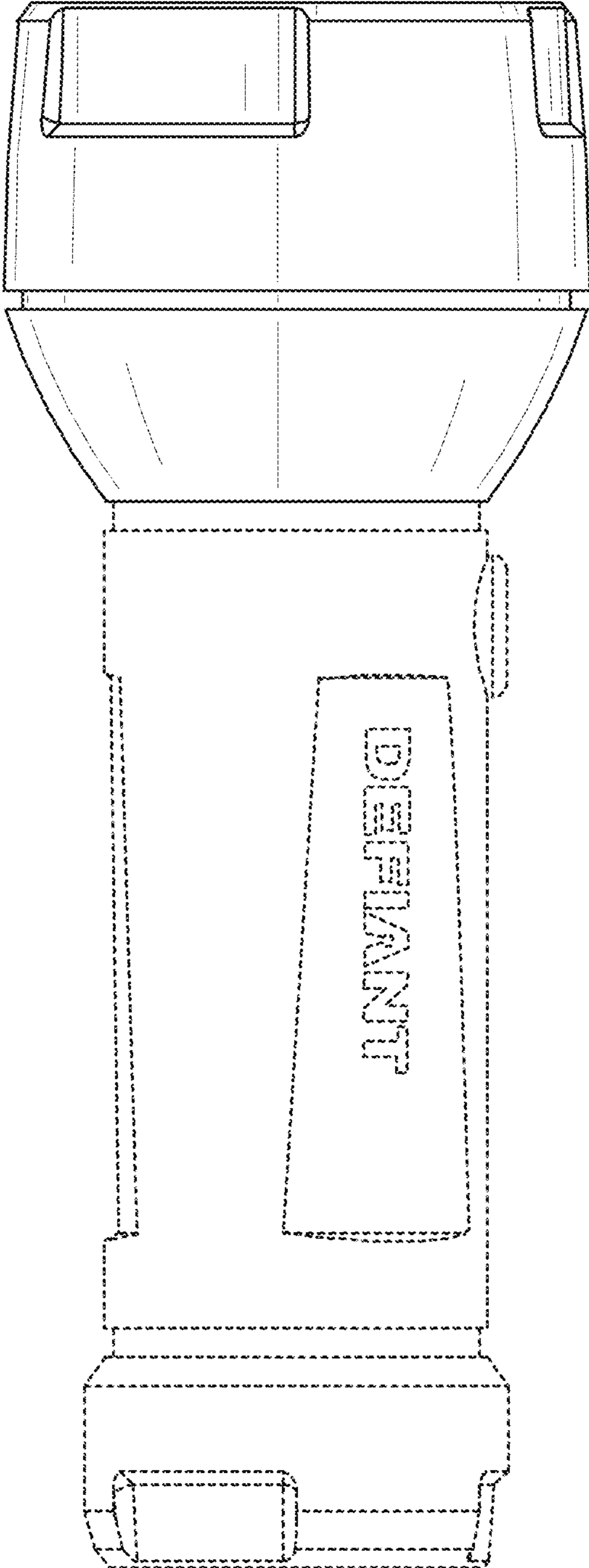


FIG. 4

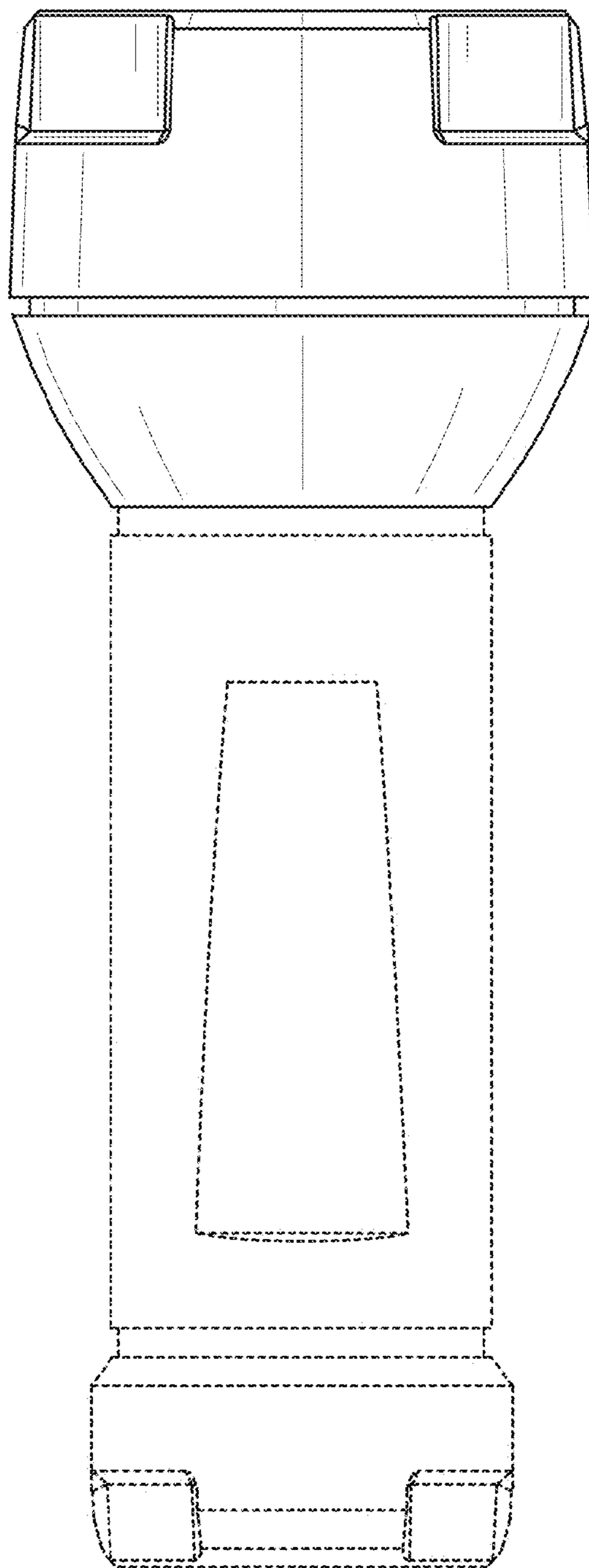


FIG. 5

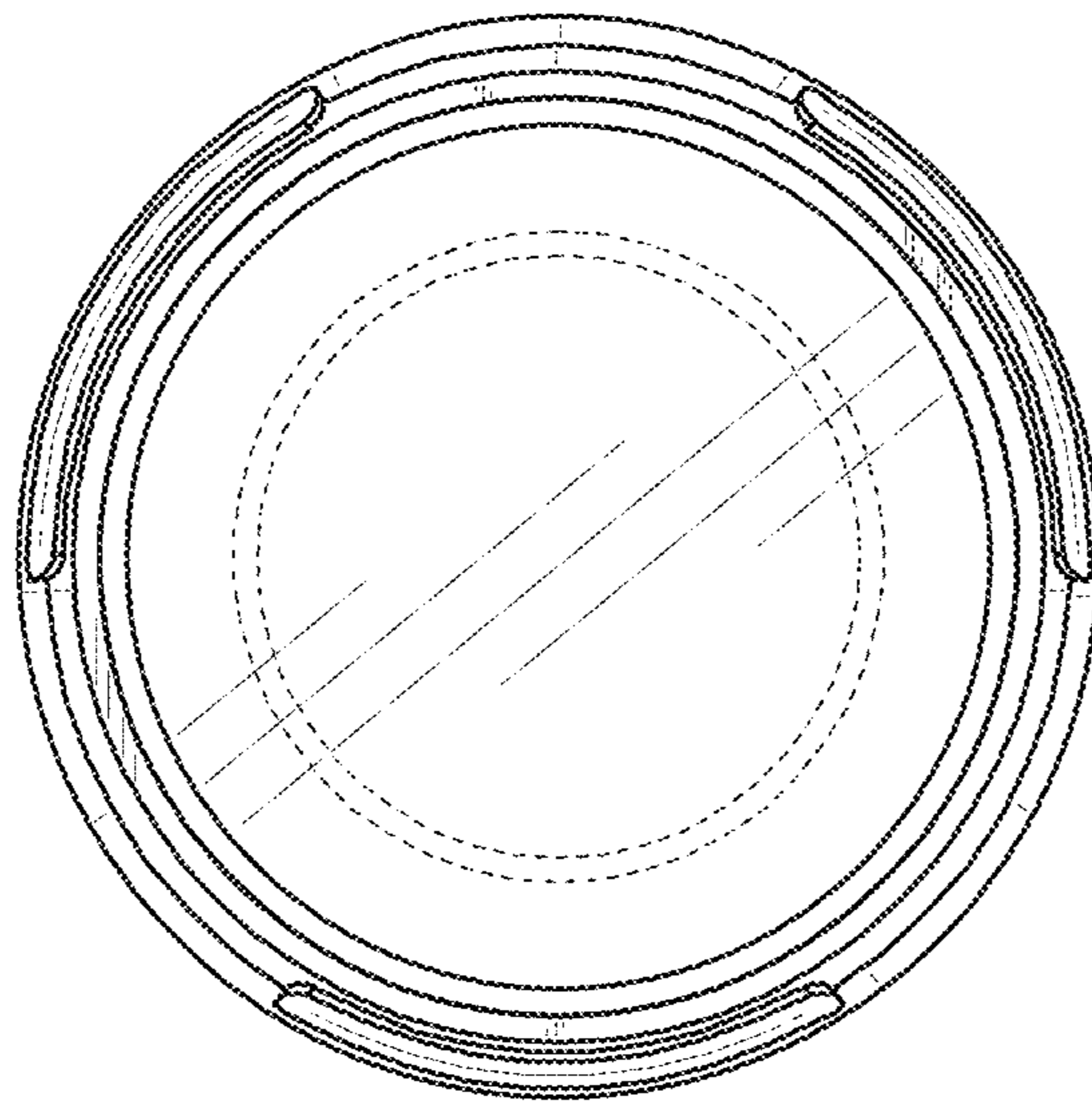


FIG. 6