



US00D755423S

(12) **United States Design Patent**  
**Kong et al.**

(10) **Patent No.:** **US D755,423 S**

(45) **Date of Patent:** **\*\* May 3, 2016**

(54) **REAR COMBINATION LAMP FOR AUTOMOBILES**

(71) Applicant: **Hyundai Motor Company**, Seoul (KR)

(72) Inventors: **Byung-Ho Kong**, Seoul (KR); **Hee-Joon An**, Gyeonggi-Do (KR)

(73) Assignee: **Hyundai Motor Company**, Seoul (KR)

(\*\*) Term: **14 Years**

(21) Appl. No.: **29/516,204**

(22) Filed: **Jan. 30, 2015**

(30) **Foreign Application Priority Data**

Oct. 17, 2014 (KR) ..... 30-2014-0049862

(51) **LOC (10) Cl.** ..... **26-04**

(52) **U.S. Cl.**  
USPC ..... **D26/28**

(58) **Field of Classification Search**

USPC ..... D26/28-36; 362/459-468, 475-478, 362/485-487

CPC ..... F21S 48/00; F21S 48/10; F21S 48/115; F21S 48/225; F21S 48/1233; F21S 48/1266; F21S 48/1388; F21S 48/2268; F21V 21/04  
See application file for complete search history.

(56) **References Cited**

**U.S. PATENT DOCUMENTS**

D618,834 S \* 6/2010 Park ..... D26/28  
D657,482 S \* 4/2012 Kong ..... D26/28

D708,363 S \* 7/2014 Park ..... D26/28  
D714,986 S \* 10/2014 Moon ..... D26/28  
D720,871 S \* 1/2015 Lim ..... D26/28  
D721,195 S \* 1/2015 Lim ..... D26/28  
D721,839 S \* 1/2015 Ha ..... D26/28  
D721,840 S \* 1/2015 Futschik ..... D26/28  
D722,188 S \* 2/2015 Futschik ..... D26/28  
D723,197 S \* 2/2015 Campbell ..... D26/28

\* cited by examiner

*Primary Examiner* — Marcus Jackson

(74) *Attorney, Agent, or Firm* — Mintz Levin Cohn Ferris Glovsky and Popeo, P.C.; Kongsik Kim

(57) **CLAIM**

The ornamental design for a rear combination lamp for automobiles, as shown and described.

**DESCRIPTION**

FIG. 1 is a perspective view of a rear combination lamp for automobiles according to the present invention.

FIG. 2 is a front view of the rear combination lamp for automobiles of FIG. 1.

FIG. 3 is a rear view of the rear combination lamp for automobiles of FIG. 1.

FIG. 4 is a left side view of the rear combination lamp for automobiles of FIG. 1.

FIG. 5 is a right side view of the rear combination lamp for automobiles of FIG. 1.

FIG. 6 is a top view of the rear combination lamp for automobiles of FIG. 1; and,

FIG. 7 is a bottom view of the rear combination lamp for automobiles of FIG. 1.

**1 Claim, 7 Drawing Sheets**

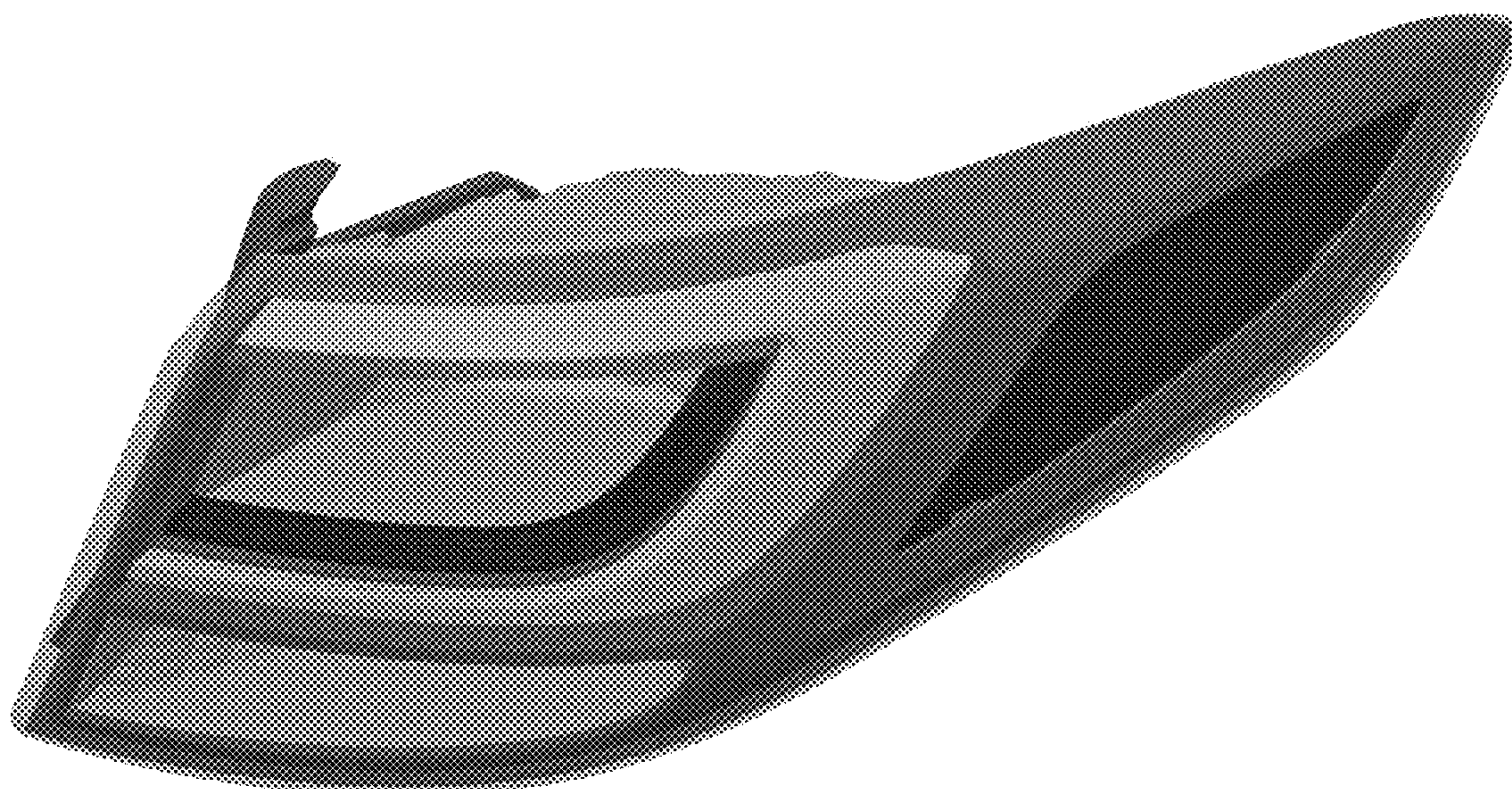
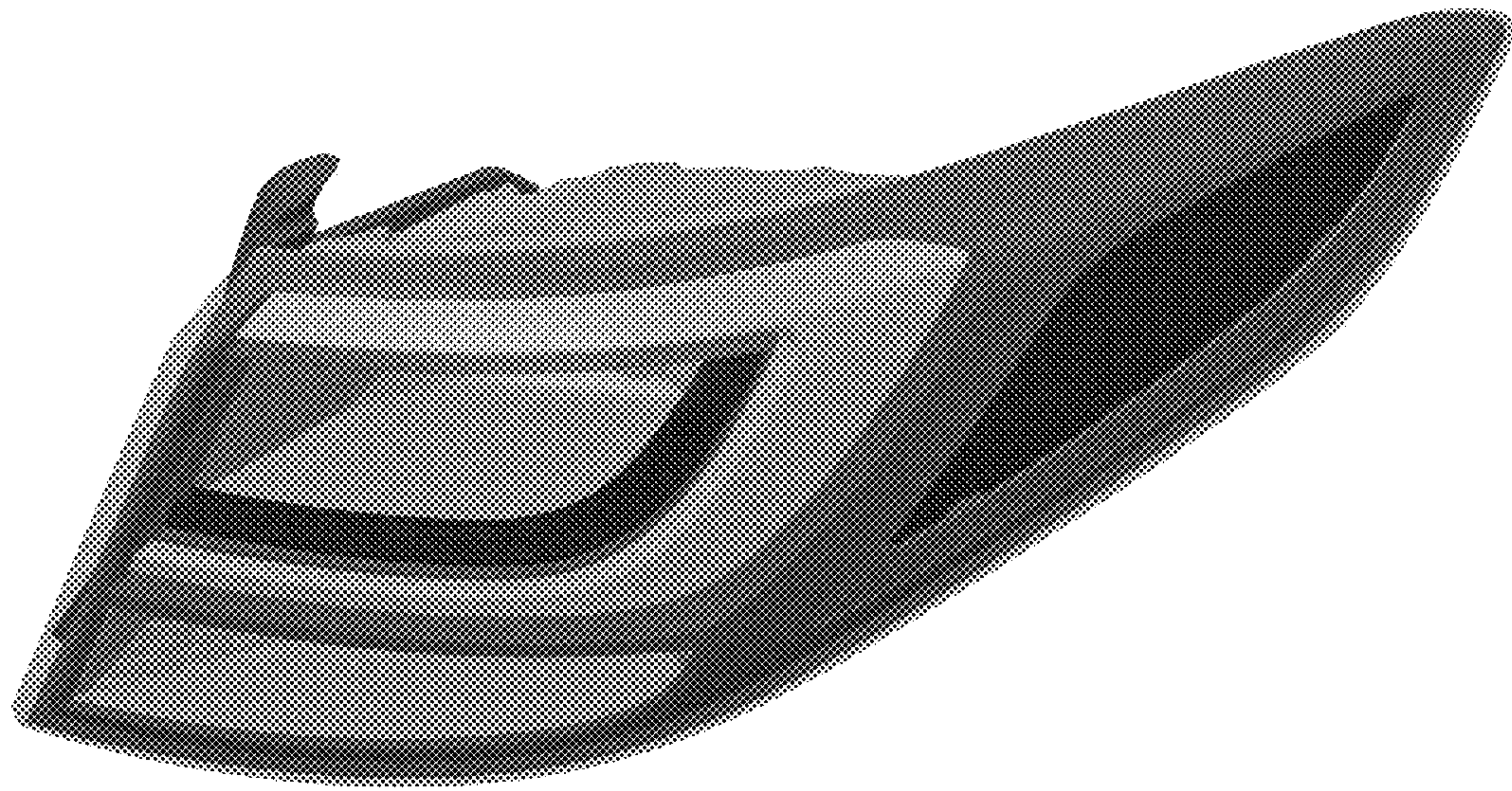
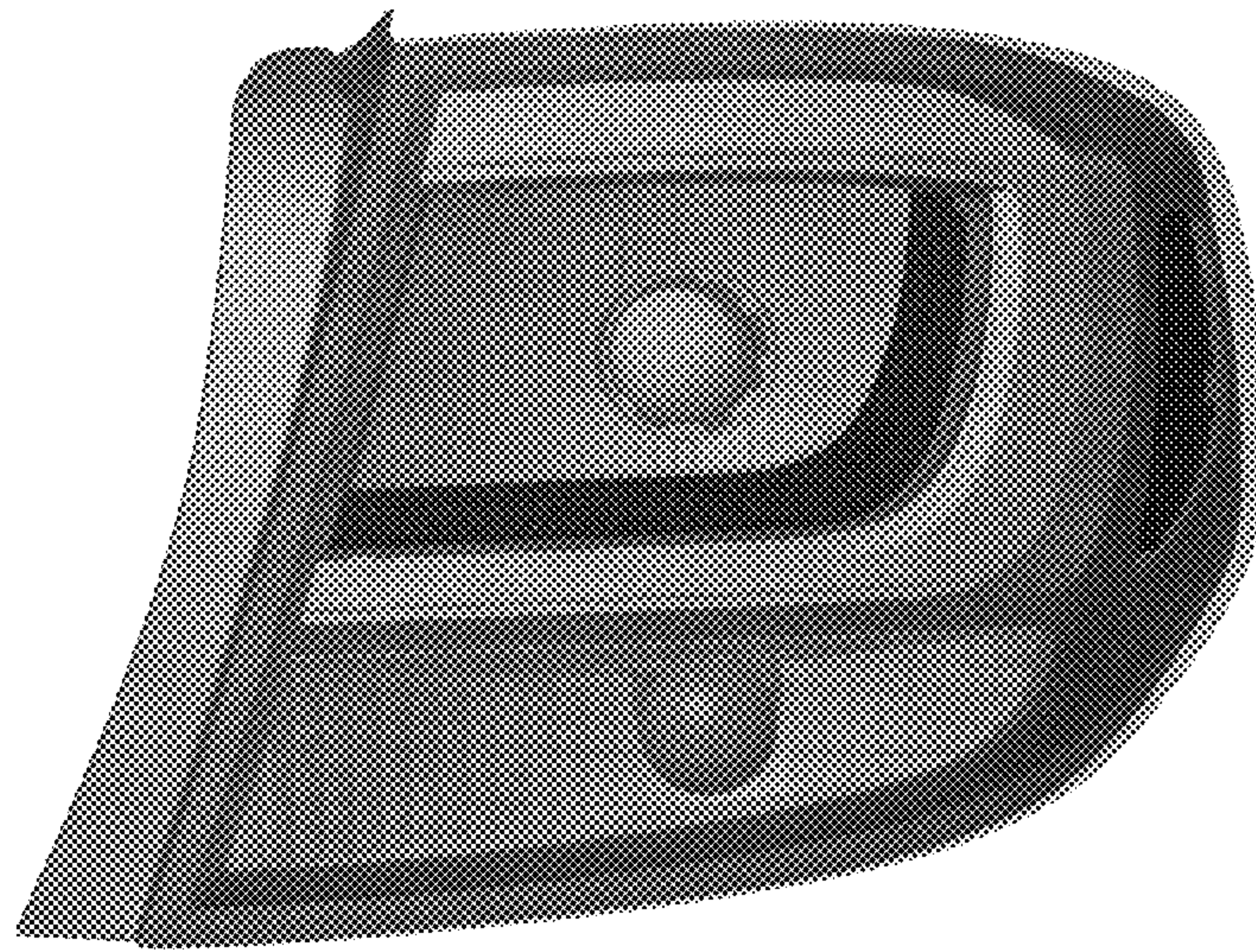




FIG. 1

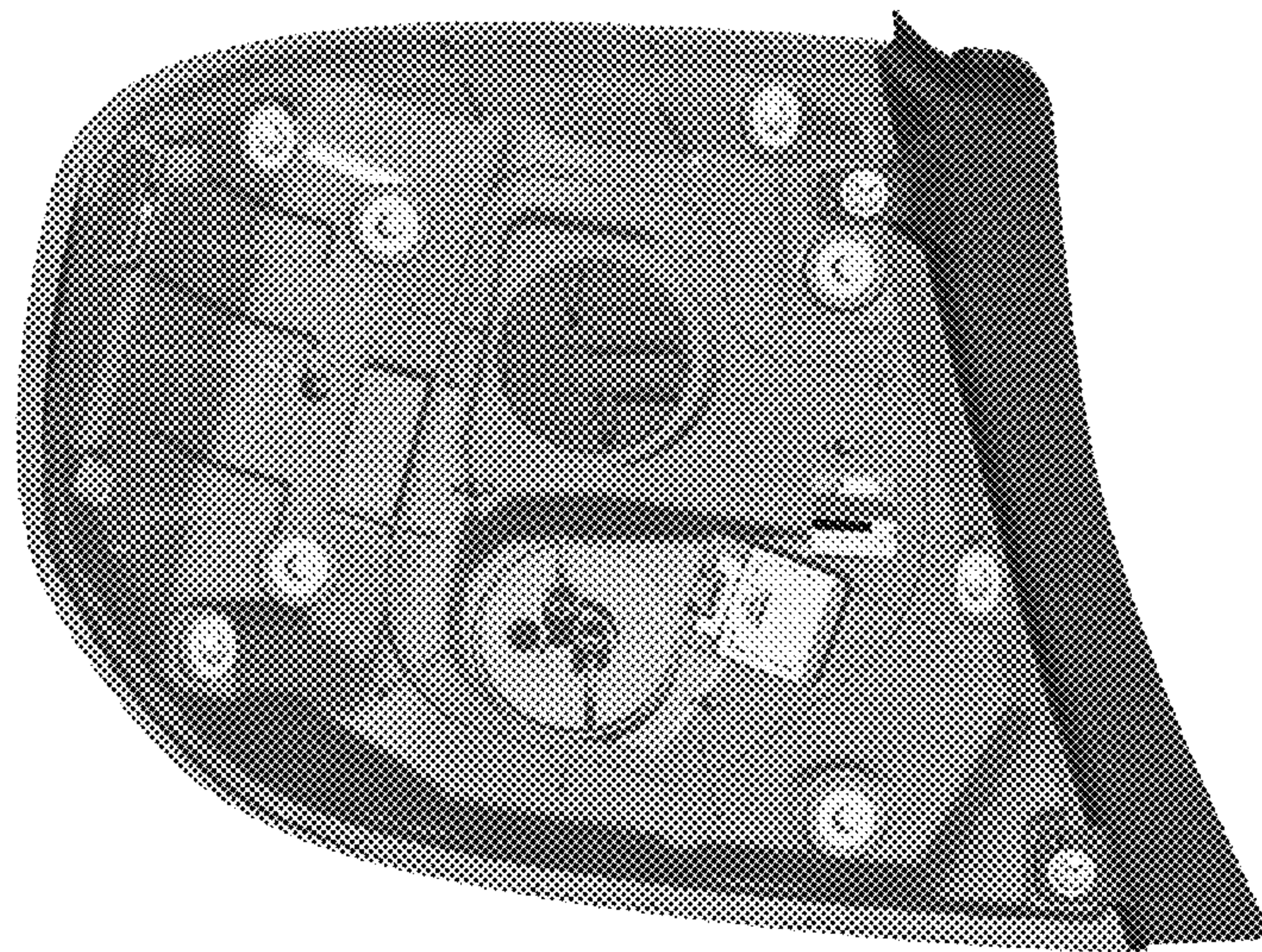


**FIG. 2**





**FIG. 3**



**FIG. 4**

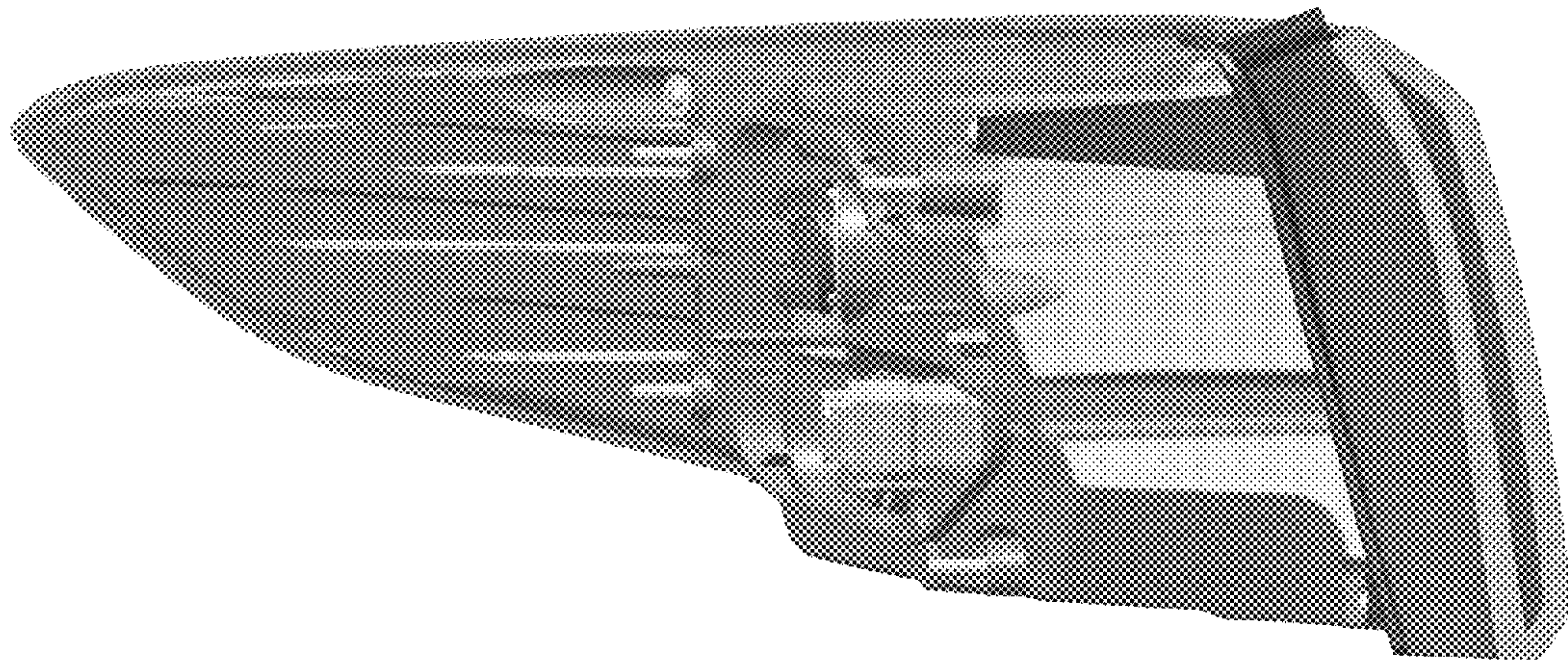
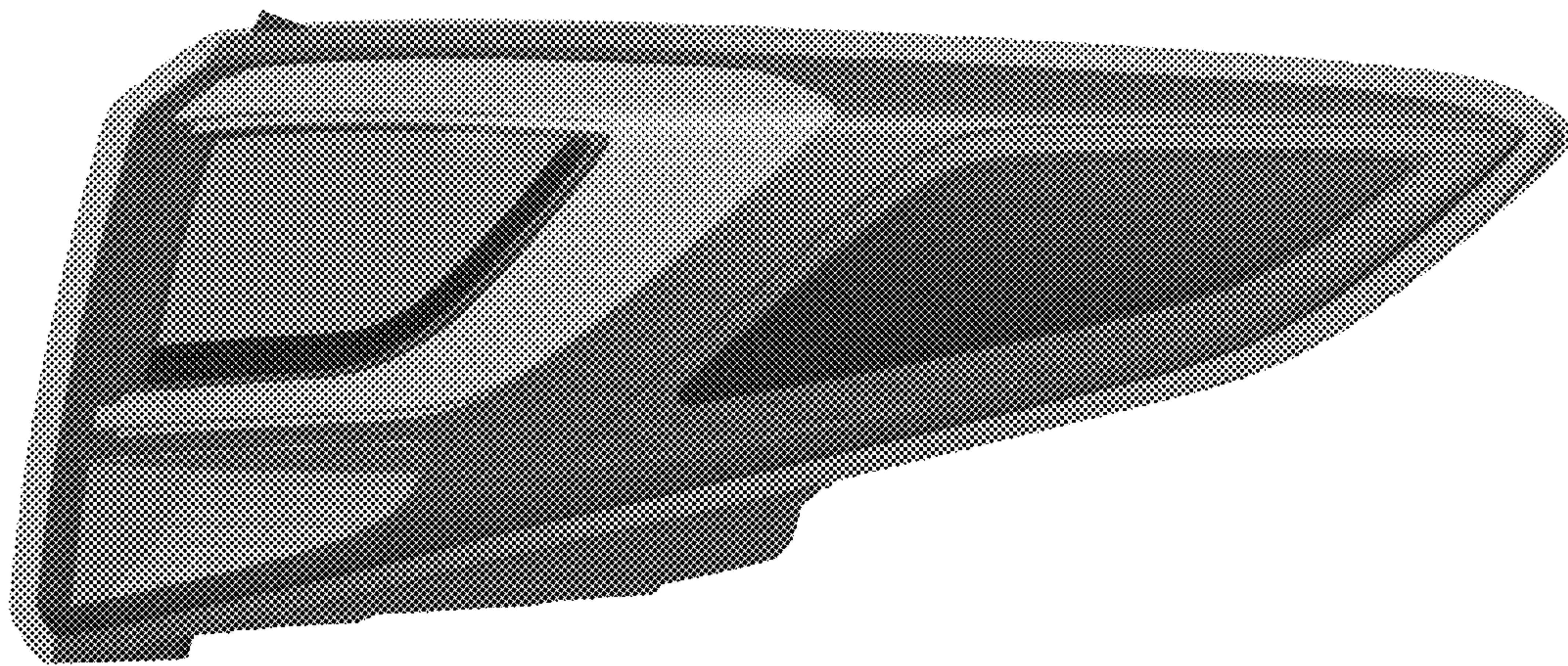
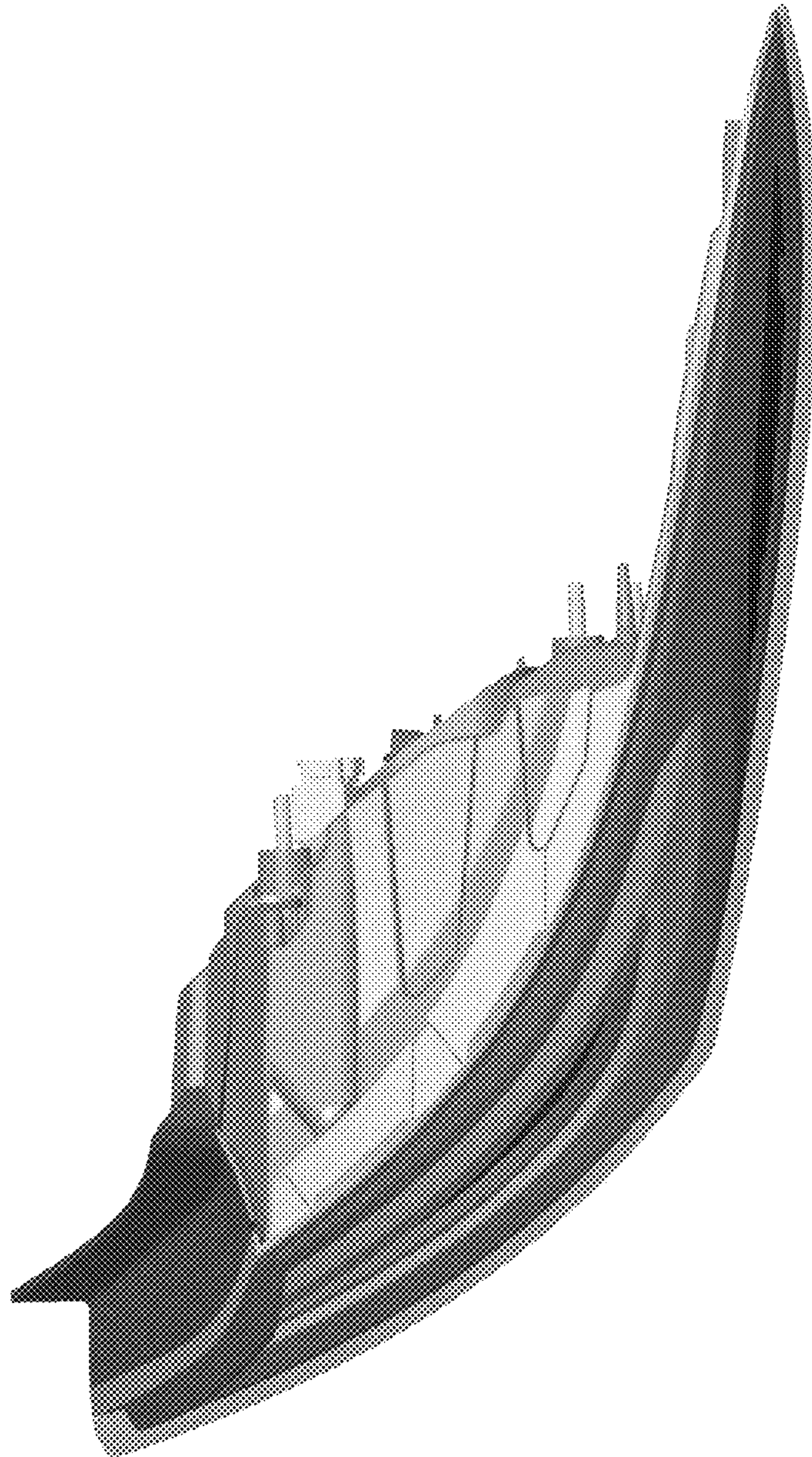




FIG. 5



**FIG. 6**





**FIG. 7**

