



US00D755422S

(12) **United States Design Patent**
Kong et al.

(10) **Patent No.:** **US D755,422 S**

(45) **Date of Patent:** **** May 3, 2016**

(54) **REAR COMBINATION LAMP FOR
AUTOMOBILES**

(71) Applicant: **Hyundai Motor Company**, Seoul (KR)

(72) Inventors: **Byung-Ho Kong**, Seoul (KR); **Hee-Joon An**, Gyeonggi-Do (KR)

(73) Assignee: **Hyundai Motor Company**, Seoul (KR)

(**) Term: **14 Years**

(21) Appl. No.: **29/516,197**

(22) Filed: **Jan. 30, 2015**

(30) **Foreign Application Priority Data**

Oct. 17, 2014 (KR) 30-2014-0049861

(51) **LOC (10) Cl.** **26-04**

(52) **U.S. Cl.**
USPC **D26/28**

(58) **Field of Classification Search**

USPC D26/28-36; 362/459-468, 475-478,
362/485-487

CPC F21S 48/00; F21S 48/10; F21S 48/115;
F21S 48/225; F21S 48/1233; F21S 48/1266;
F21S 48/1388; F21S 48/2268; F21V 21/04

See application file for complete search history.

(56) **References Cited**

U.S. PATENT DOCUMENTS

D526,427 S *	8/2006	Morioka	D26/28
D595,880 S *	7/2009	Lamm	D26/28
D635,698 S *	4/2011	Jeong	D26/28
D637,743 S *	5/2011	Cho	D26/28
D652,550 S *	1/2012	Cho	D26/28
D681,245 S *	4/2013	Colborne	D26/28
D714,985 S *	10/2014	Moon	D26/28

* cited by examiner

Primary Examiner — Marcus Jackson

(74) *Attorney, Agent, or Firm* — Mintz Levin Cohn Ferris
Glovsky and Popeo, P.C.; Kongsik Kim

(57) **CLAIM**

The ornamental design for a rear combination lamp for automobiles, as shown and described.

DESCRIPTION

FIG. 1 is a perspective view of a rear combination lamp for automobiles according to the present invention.

FIG. 2 is a front view of the rear combination lamp for automobiles of FIG. 1.

FIG. 3 is a rear view of the rear combination lamp for automobiles of FIG. 1.

FIG. 4 is a left side view of the rear combination lamp for automobiles of FIG. 1.

FIG. 5 is a right side view of the rear combination lamp for automobiles of FIG. 1.

FIG. 6 is a top view of the rear combination lamp for automobiles of FIG. 1; and,

FIG. 7 is a bottom view of the rear combination lamp for automobiles of FIG. 1.

1 Claim, 7 Drawing Sheets

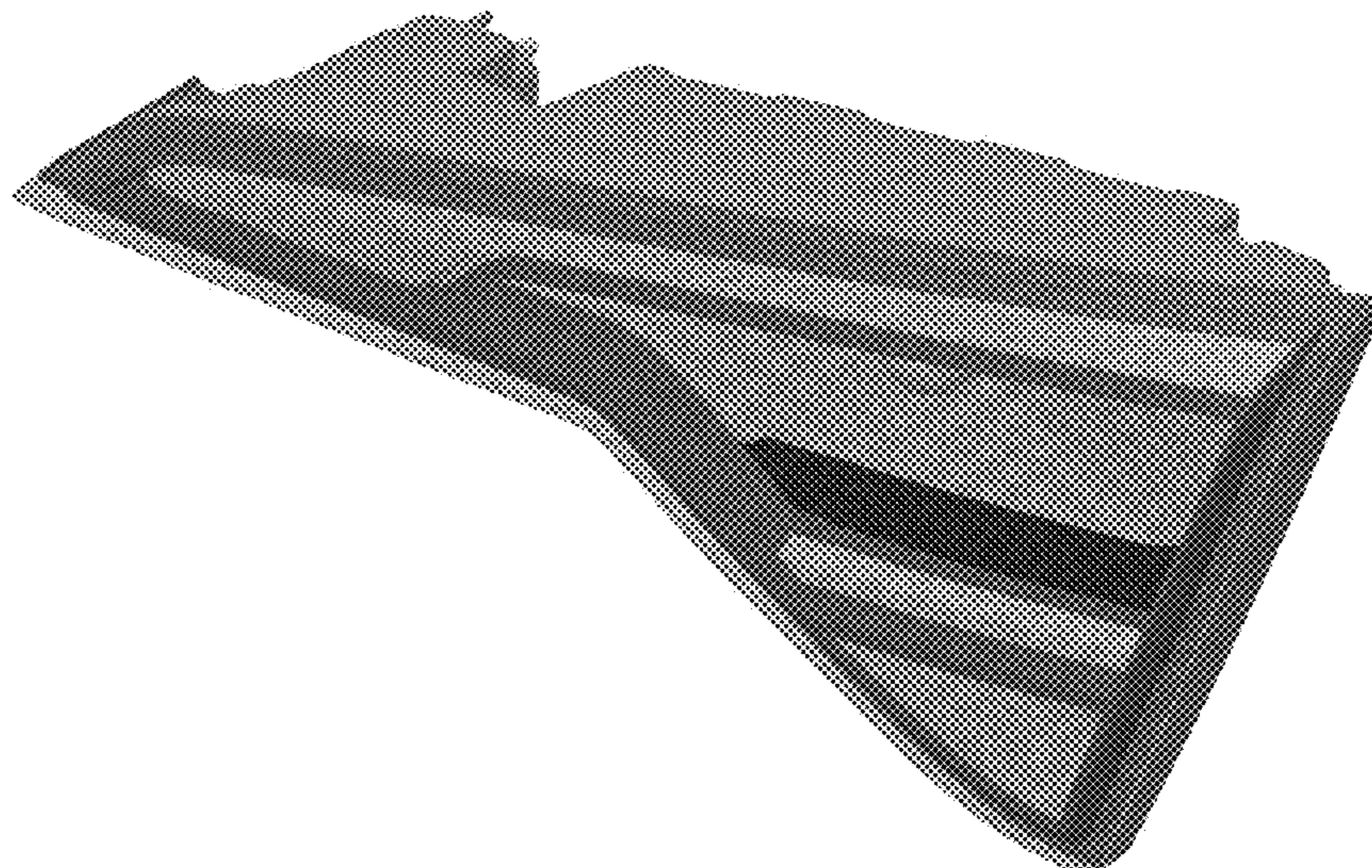


FIG. 1

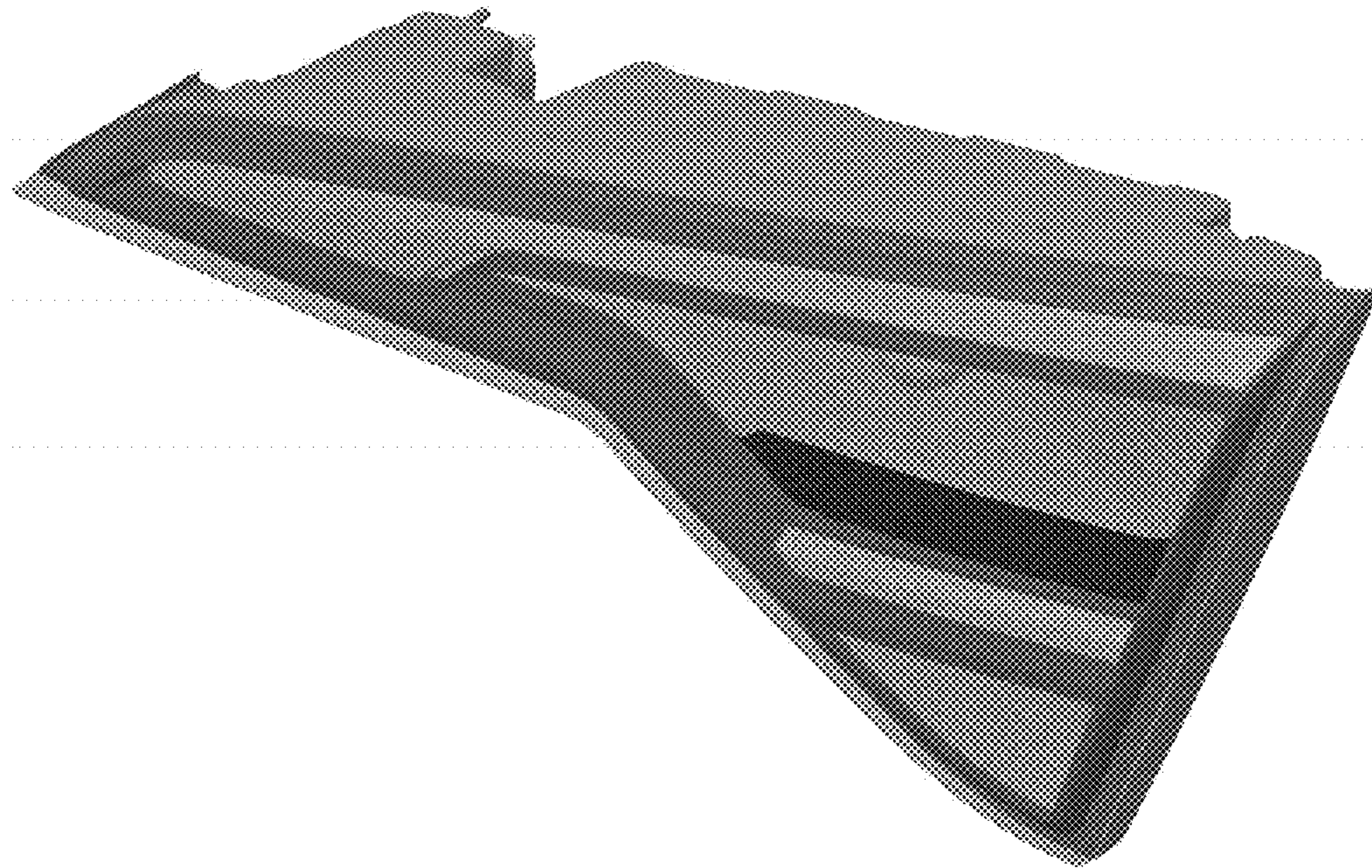


FIG. 2

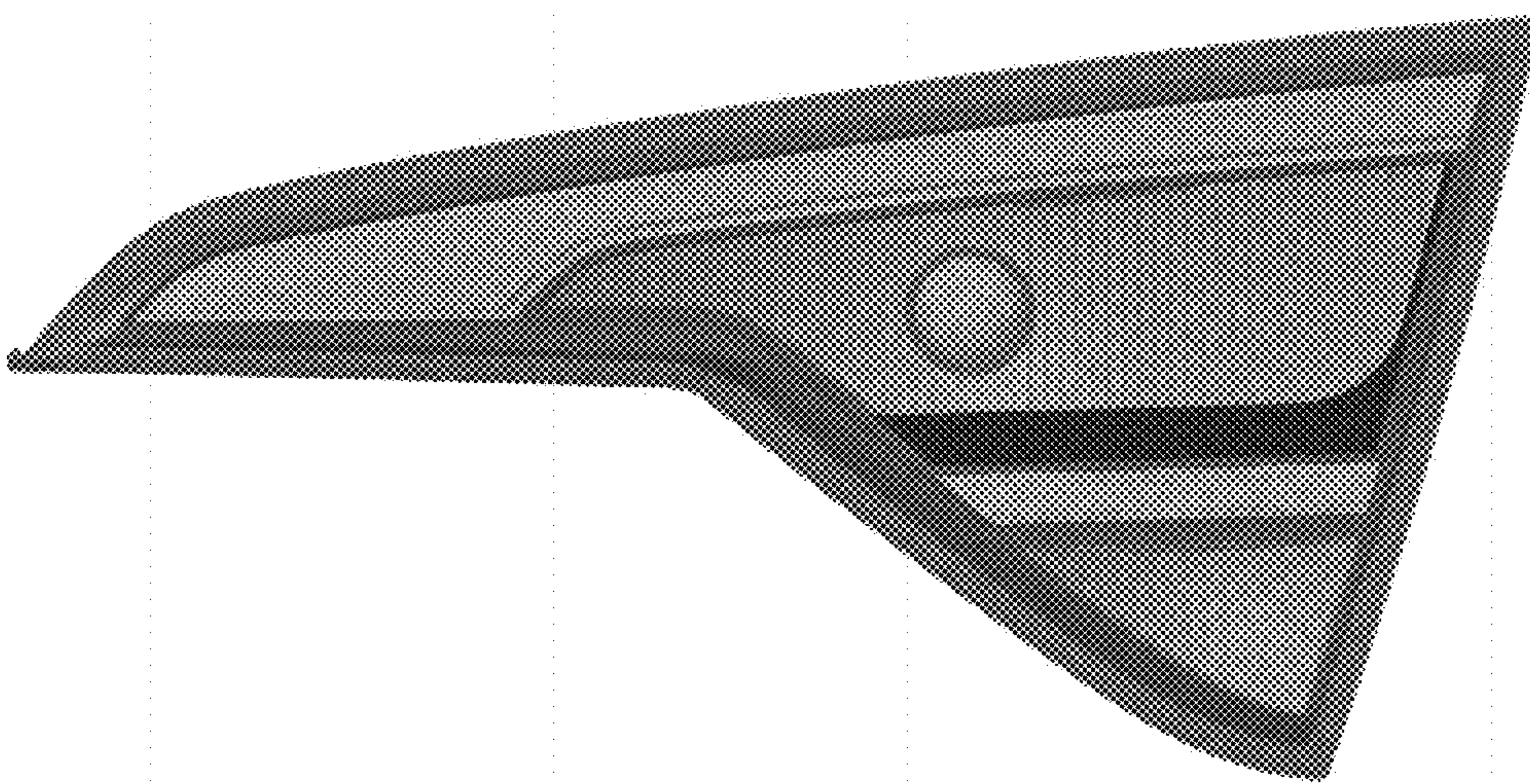


FIG. 3

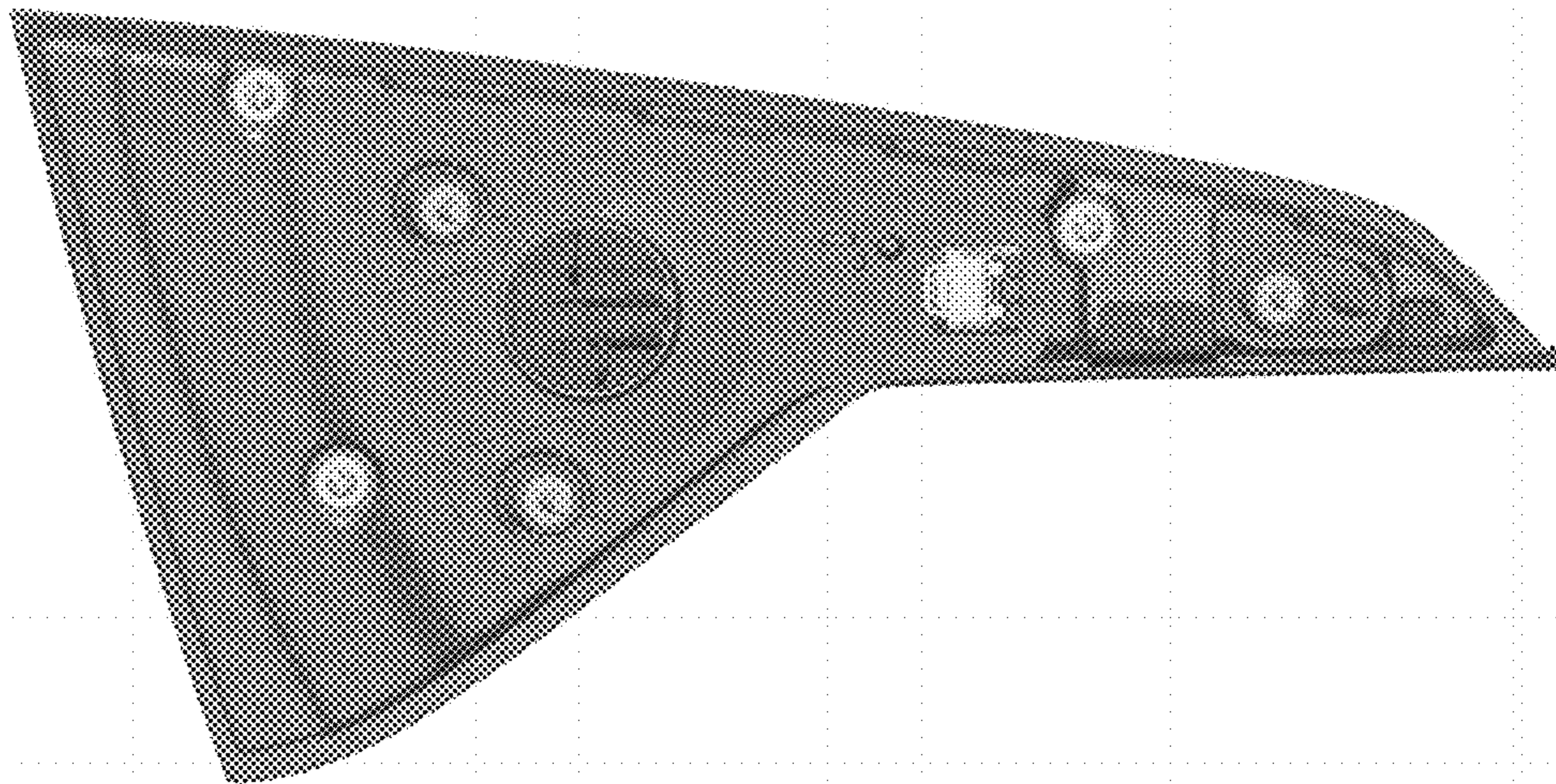


FIG. 4

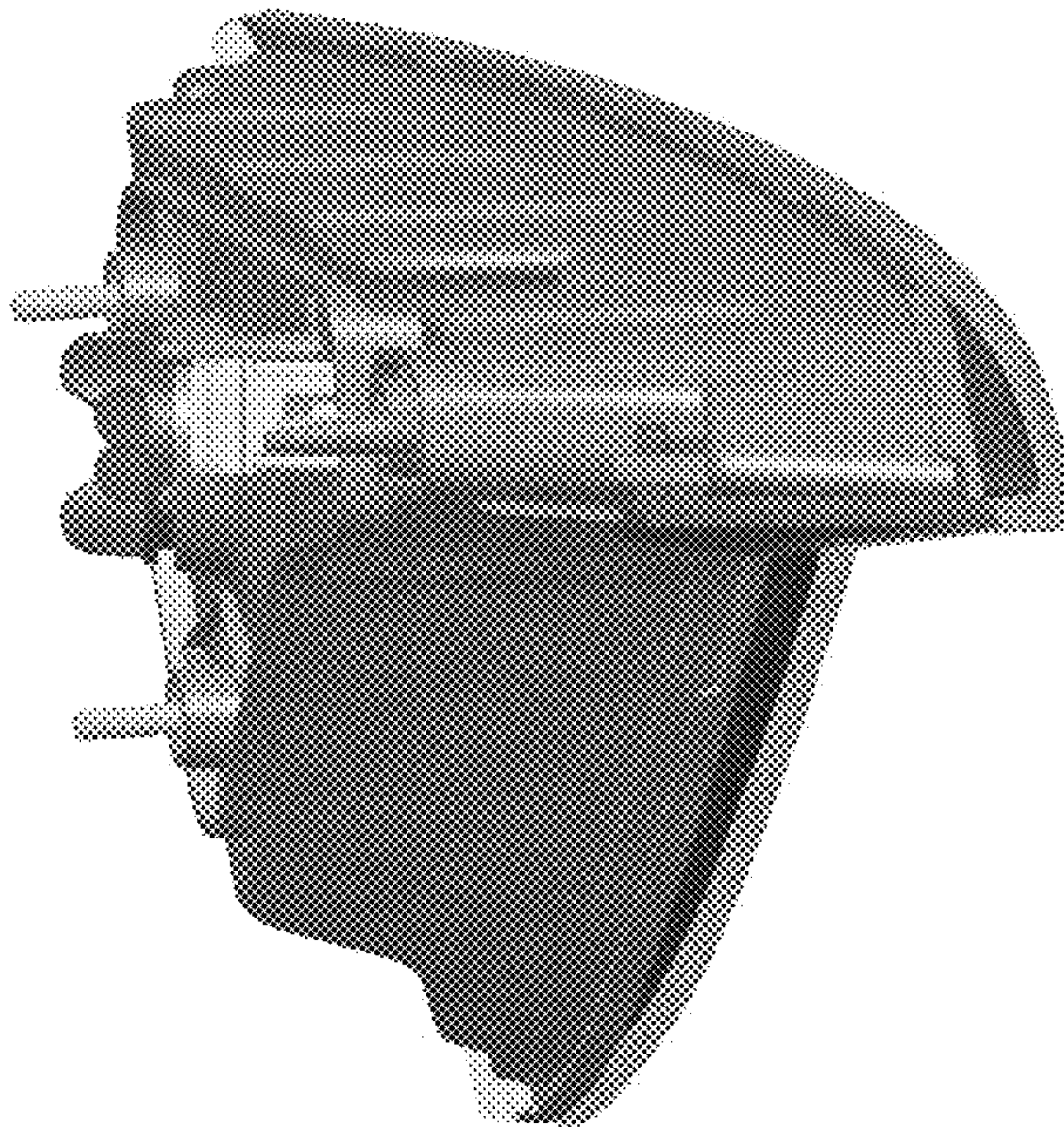


FIG. 5

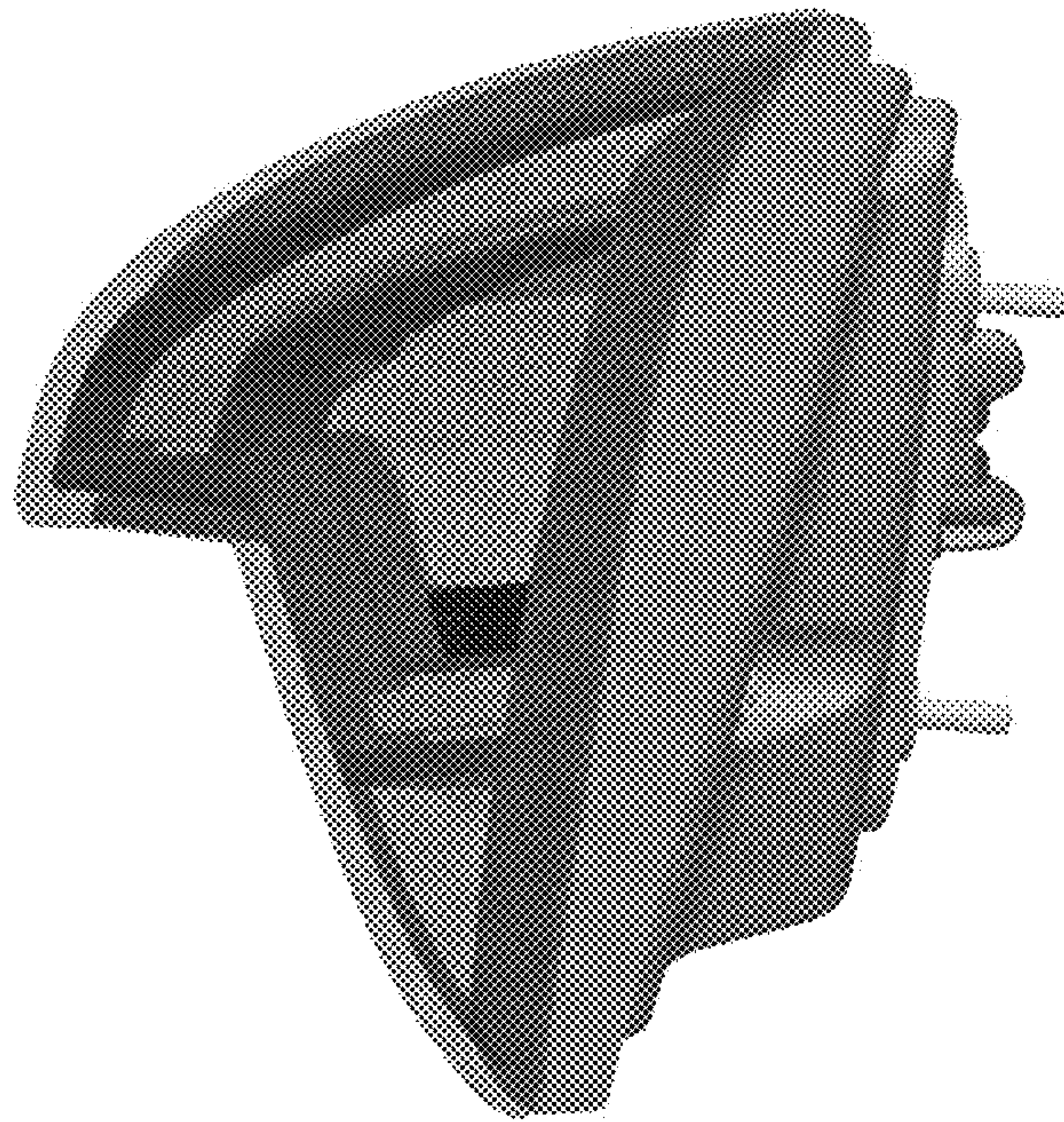


FIG. 6

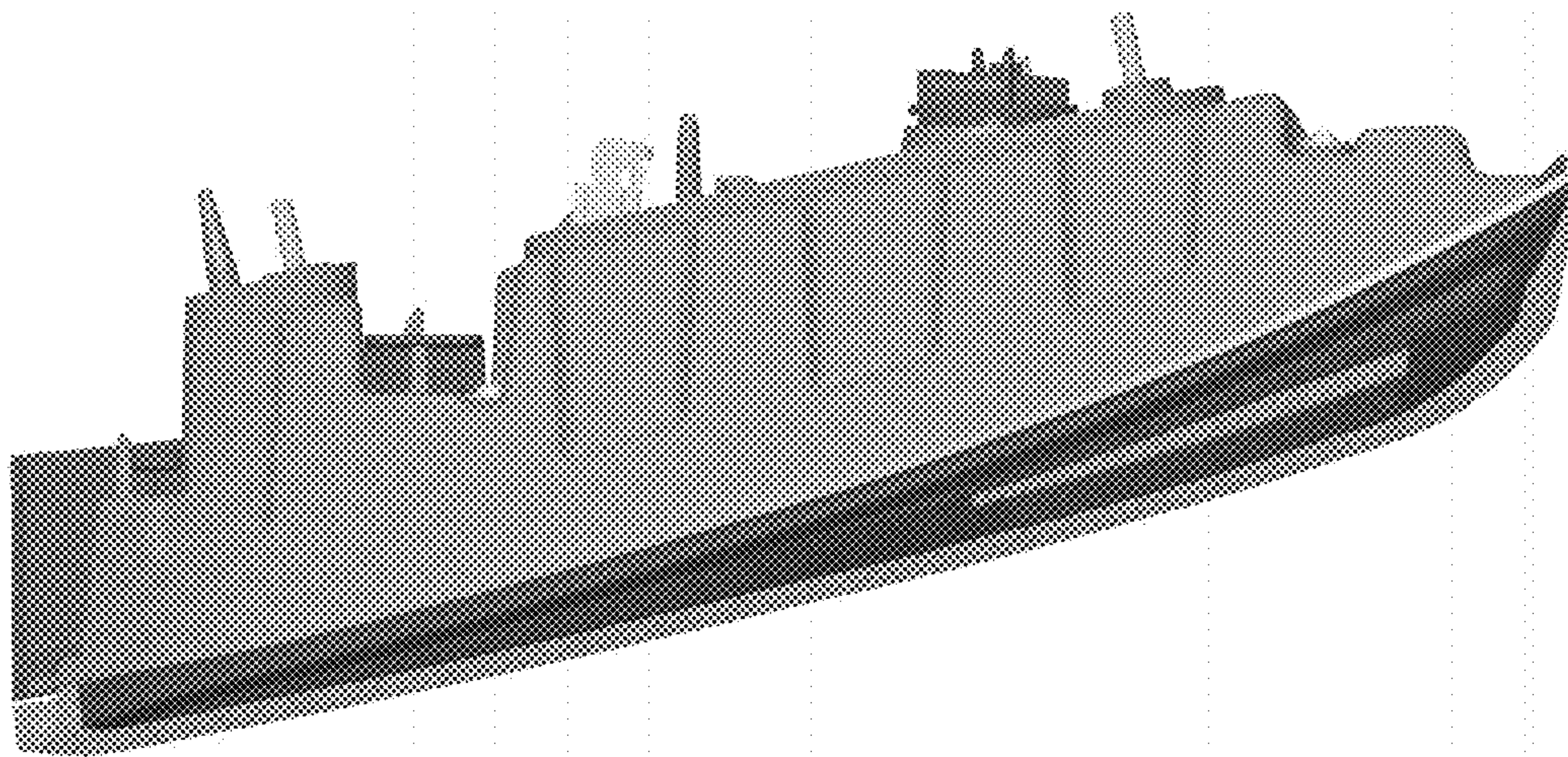


FIG. 7

