



US00D755419S

(12) **United States Design Patent**
Ko et al.

(10) **Patent No.:** **US D755,419 S**
(45) **Date of Patent:** **** May 3, 2016**

(54) **REAR COMBINATION LAMP FOR AUTOMOBILES**

(71) Applicant: **Kia Motors Corporation**, Seoul (KR)

(72) Inventors: **Kwang-Min Ko**, Gyeonggi-do (KR);
Se-Wook Oh, Gyeonggi-do (KR);
Yang-Gi Lee, Gyeonggi-do (KR);
Seung-Bo Hong, Gyeonggi-do (KR);
Chang-Sik Min, Seoul (KR)

(73) Assignee: **Kia Motors Corporation**, Seoul (KR)

(**) Term: **14 Years**

(21) Appl. No.: **29/513,909**

(22) Filed: **Jan. 6, 2015**

(30) **Foreign Application Priority Data**

Sep. 16, 2014 (KR) 30-2014-0044647

(51) **LOC (10) Cl.** **26-04**

(52) **U.S. Cl.**
USPC **D26/28**

(58) **Field of Classification Search**
USPC D26/28-36; 362/459-468, 475-478,
362/485-487

CPC F21S 48/00; F21S 48/10; F21S 48/115;
F21S 48/225; F21S 48/1233; F21S 48/1266;
F21S 48/1388; F21S 48/2268; F21V 21/04

See application file for complete search history.

(56) **References Cited**

U.S. PATENT DOCUMENTS

D455,508	S	*	4/2002	Sinkwitz	D26/28
D465,039	S	*	10/2002	Murkett	D26/28
D490,170	S	*	5/2004	Metros	D26/28
D491,298	S	*	6/2004	Hall	D26/28
D539,450	S	*	3/2007	Pfeiffer	D26/28
D540,480	S	*	4/2007	Pfeiffer	D26/28
D553,268	S	*	10/2007	Pfeiffer	D26/28
D565,211	S	*	3/2008	Haller	D26/28
D674,939	S	*	1/2013	Lai	D26/28

* cited by examiner

Primary Examiner — Marcus Jackson

(74) *Attorney, Agent, or Firm* — Mintz Levin Cohn Ferris Glovsky and Popeo, P.C.; Kongsik Kim

(57) **CLAIM**

The ornamental design for a rear combination lamp for automobiles, as shown and described.

DESCRIPTION

FIG. 1 is a perspective view of a rear combination lamp for automobiles according to the present invention.

FIG. 2 is a front view of the rear combination lamp for automobiles of FIG. 1.

FIG. 3 is a rear view of the rear combination lamp for automobiles of FIG. 1.

FIG. 4 is a left side view of the rear combination lamp for automobiles of FIG. 1.

FIG. 5 is a right side view of the rear combination lamp for automobiles of FIG. 1.

FIG. 6 is a top view of the rear combination lamp for automobiles of FIG. 1; and,

FIG. 7 is a bottom view of the rear combination lamp for automobiles of FIG. 1.

1 Claim, 7 Drawing Sheets

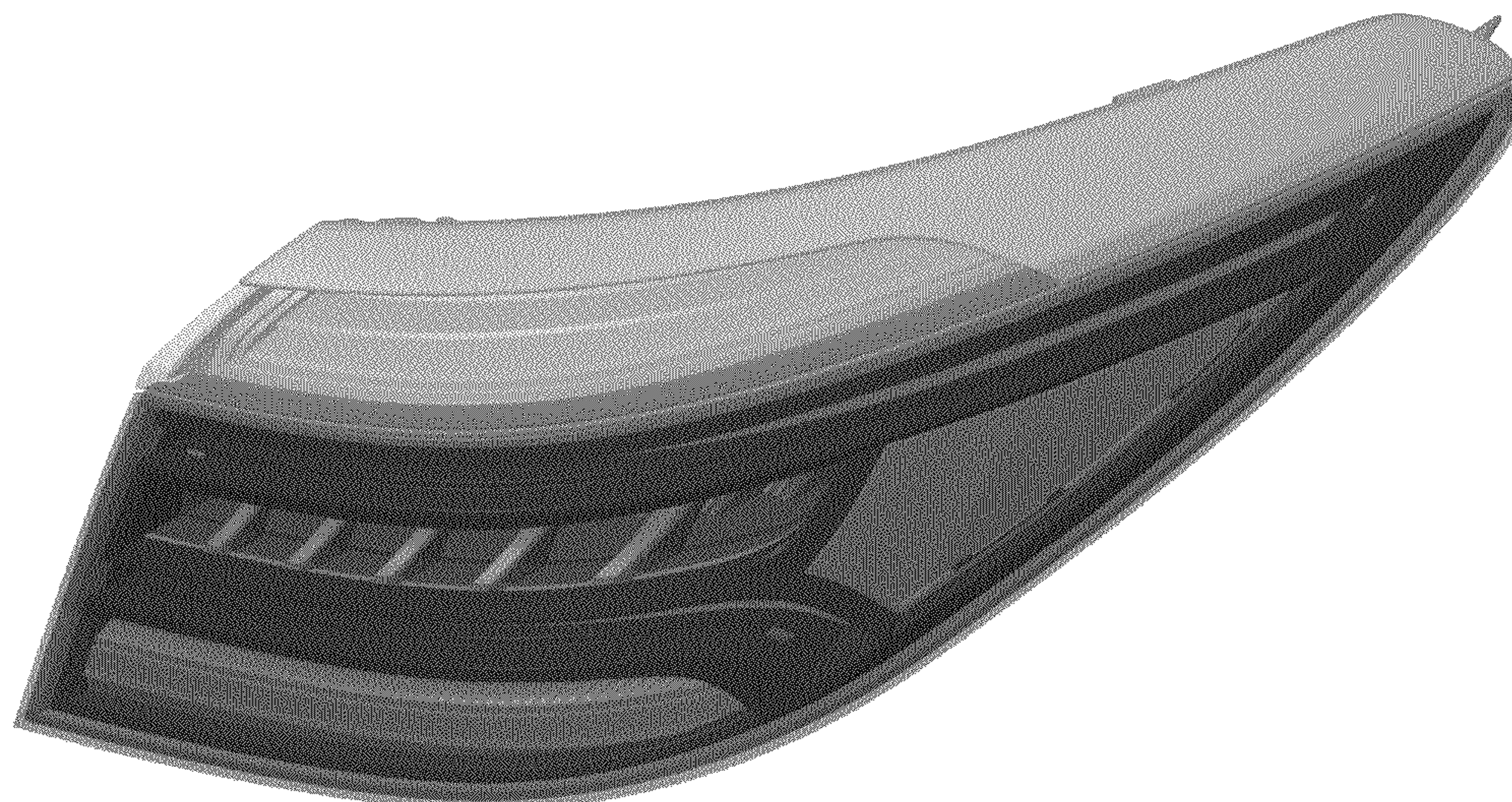


FIG. 1

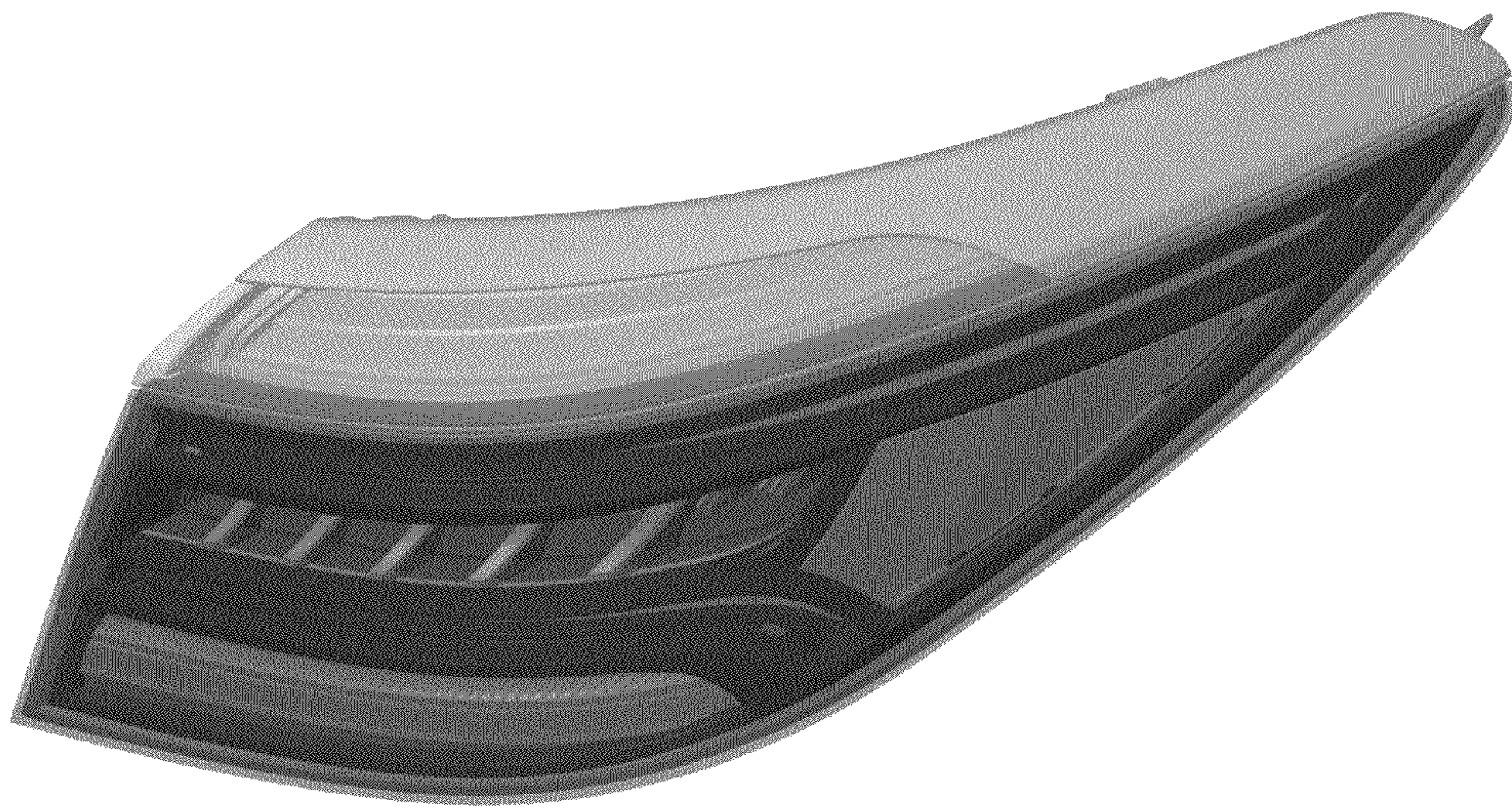


FIG. 2



FIG. 3

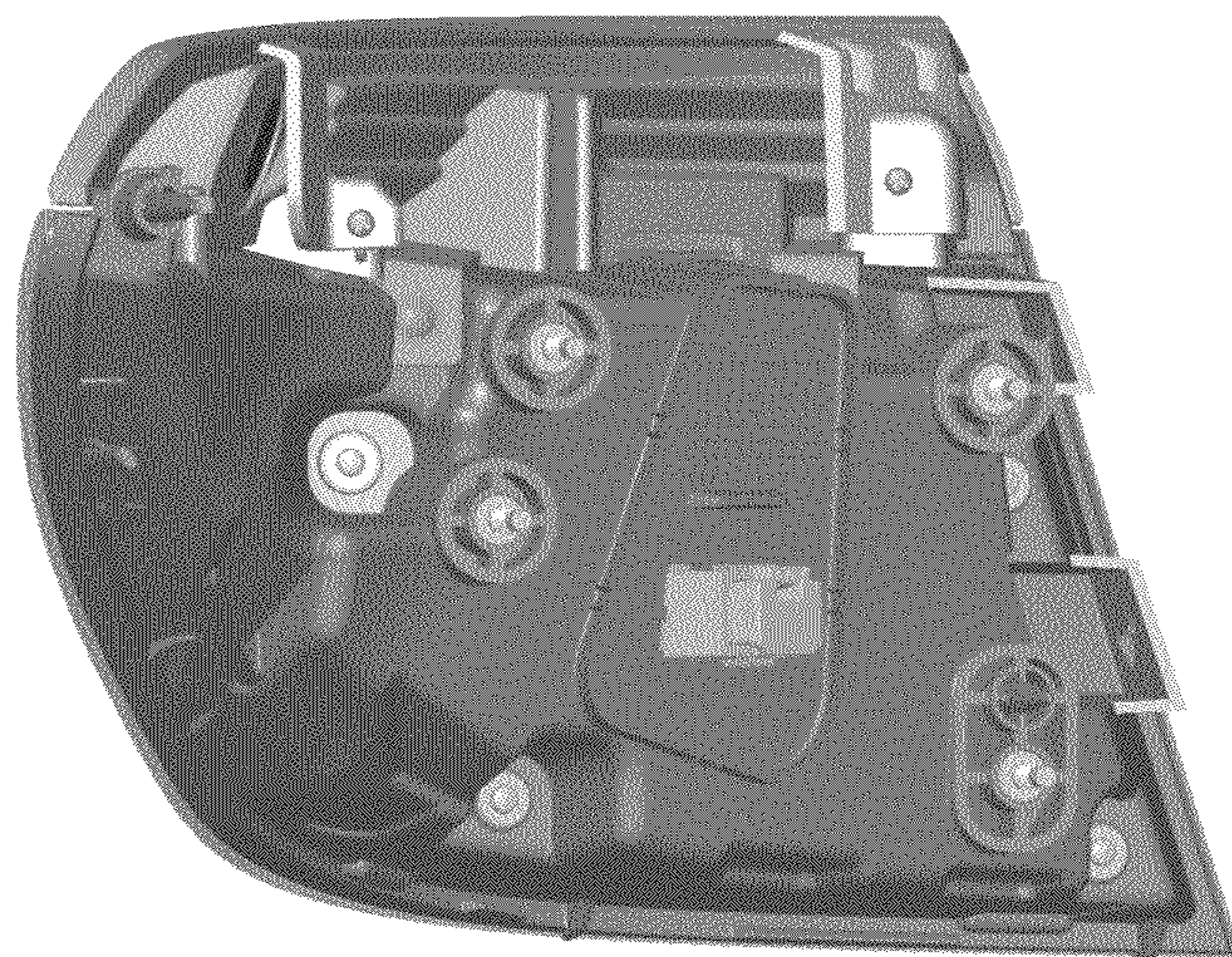


FIG. 4

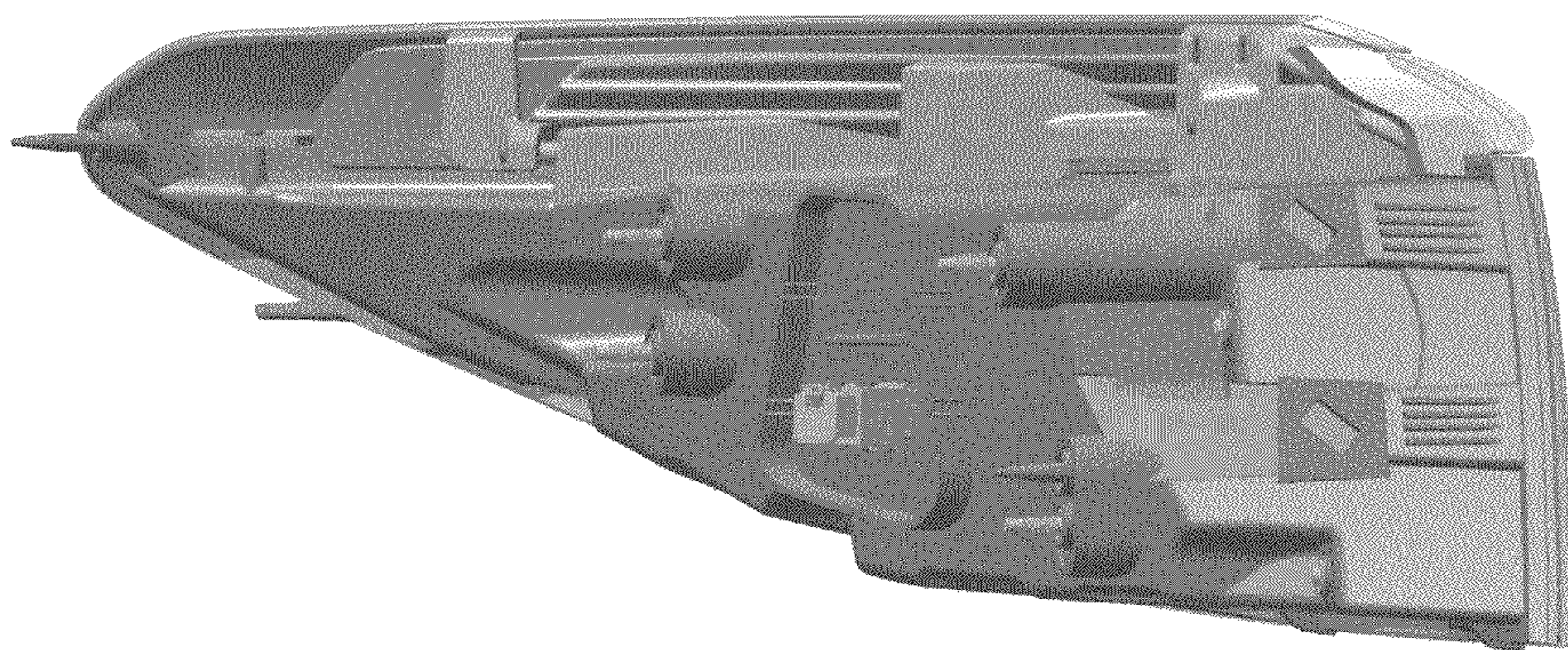


FIG. 5

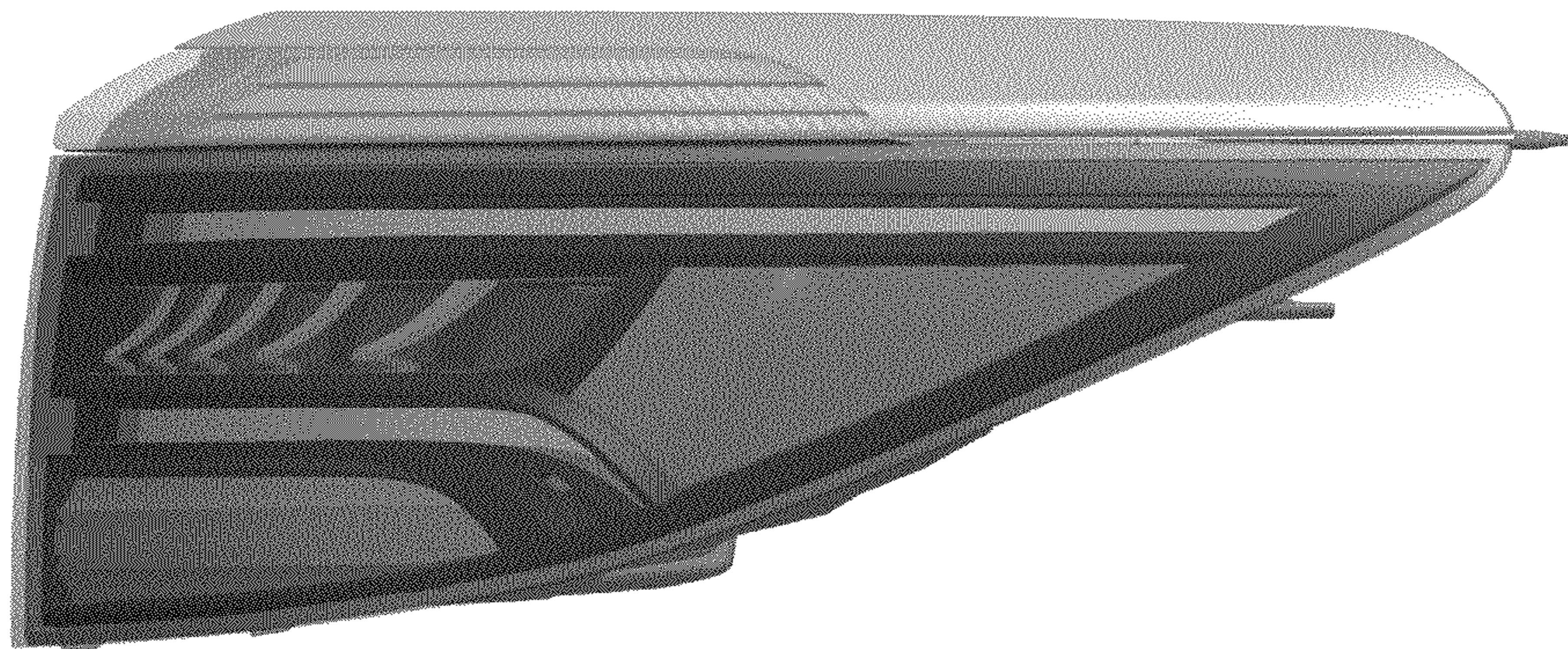


FIG. 6

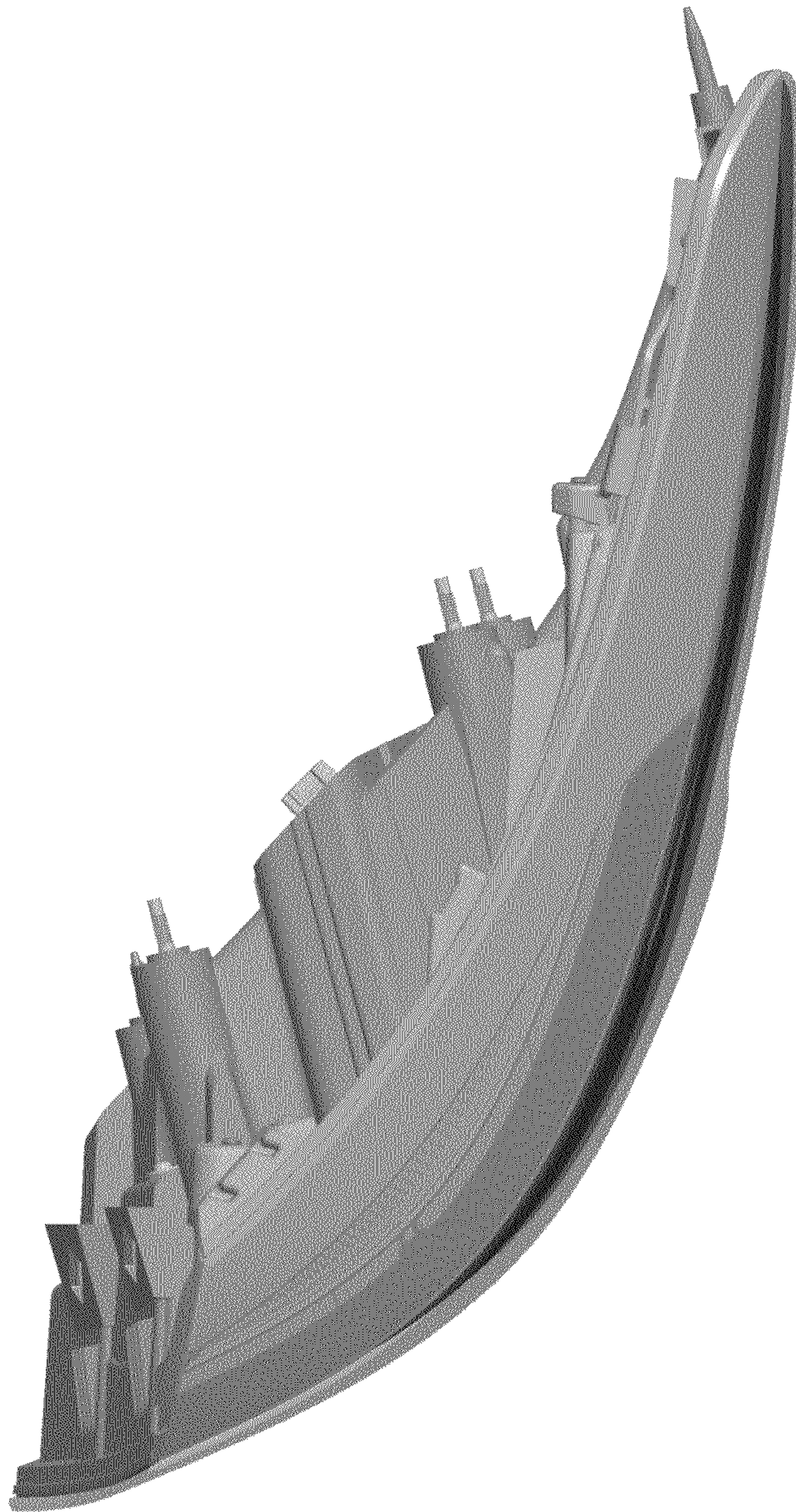


FIG. 7

