



US00D755418S

(12) **United States Design Patent**
Morikawa

(10) **Patent No.:** **US D755,418 S**

(45) **Date of Patent:** **** May 3, 2016**

(54) **REAR LAMP FOR AN AUTOMOBILE**
(71) Applicant: **Honda Motor Co., Ltd.**, Tokyo (JP)
(72) Inventor: **Tetsuji Morikawa**, Wako (JP)
(73) Assignee: **Honda Motor Co., Ltd.**, Tokyo (JP)

D590,968 S * 4/2009 Ryoustake D26/28
D601,732 S * 10/2009 Han D26/28
D617,922 S * 6/2010 Miyata D26/28
D642,307 S * 7/2011 Suzuki D26/28
D657,900 S * 4/2012 Sasaki D26/28
D663,872 S * 7/2012 Blondeau D26/28
D663,874 S * 7/2012 Kono D26/28
D680,671 S * 4/2013 Tani D26/28

(**) Term: **14 Years**
(21) Appl. No.: **29/497,308**
(22) Filed: **Jul. 23, 2014**

* cited by examiner

Primary Examiner — Ian Simmons
Assistant Examiner — Harold Blackwell, II
(74) *Attorney, Agent, or Firm* — Plumsea Law Group, LLC

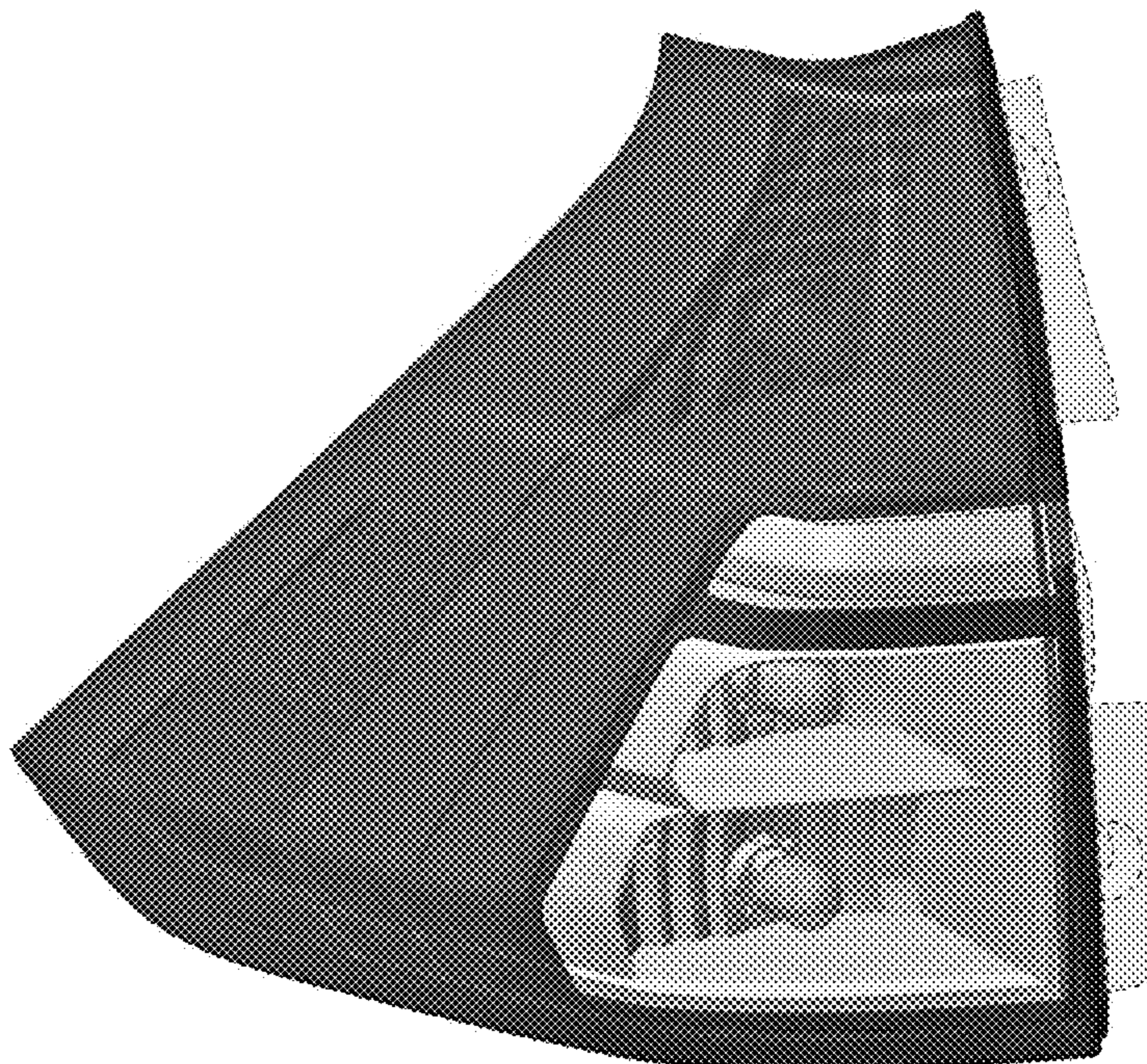
(30) **Foreign Application Priority Data**
Jan. 23, 2014 (JP) 2014-001192
(51) **LOC (10) Cl.** **26-05**
(52) **U.S. Cl.**
USPC **D26/28**
(58) **Field of Classification Search**
USPC D26/28-36; 362/459-468, 475-478,
362/485, 486, 487
CPC B60Q 1/02; B60Q 1/04
See application file for complete search history.

(57) **CLAIM**
The ornamental design for a rear lamp for an automobile, as shown and described.

(56) **References Cited**
U.S. PATENT DOCUMENTS
D521,660 S * 5/2006 Kubota D26/28
D549,363 S * 8/2007 Pfeiffer D26/28
D560,292 S * 1/2008 Sato D26/28

DESCRIPTION
FIG. 1 is a perspective view of a rear lamp for an automobile showing my new design;
FIG. 2 is a front elevation view thereof;
FIG. 3 is a top plan view thereof; and,
FIG. 4 is a left side elevation view thereof.
The part of the photograph shown in a coarse dot pattern, along with the broken-line perimeter illustrates a portion of the rear lamp of an automobile that forms no part of the claimed design.

1 Claim, 4 Drawing Sheets



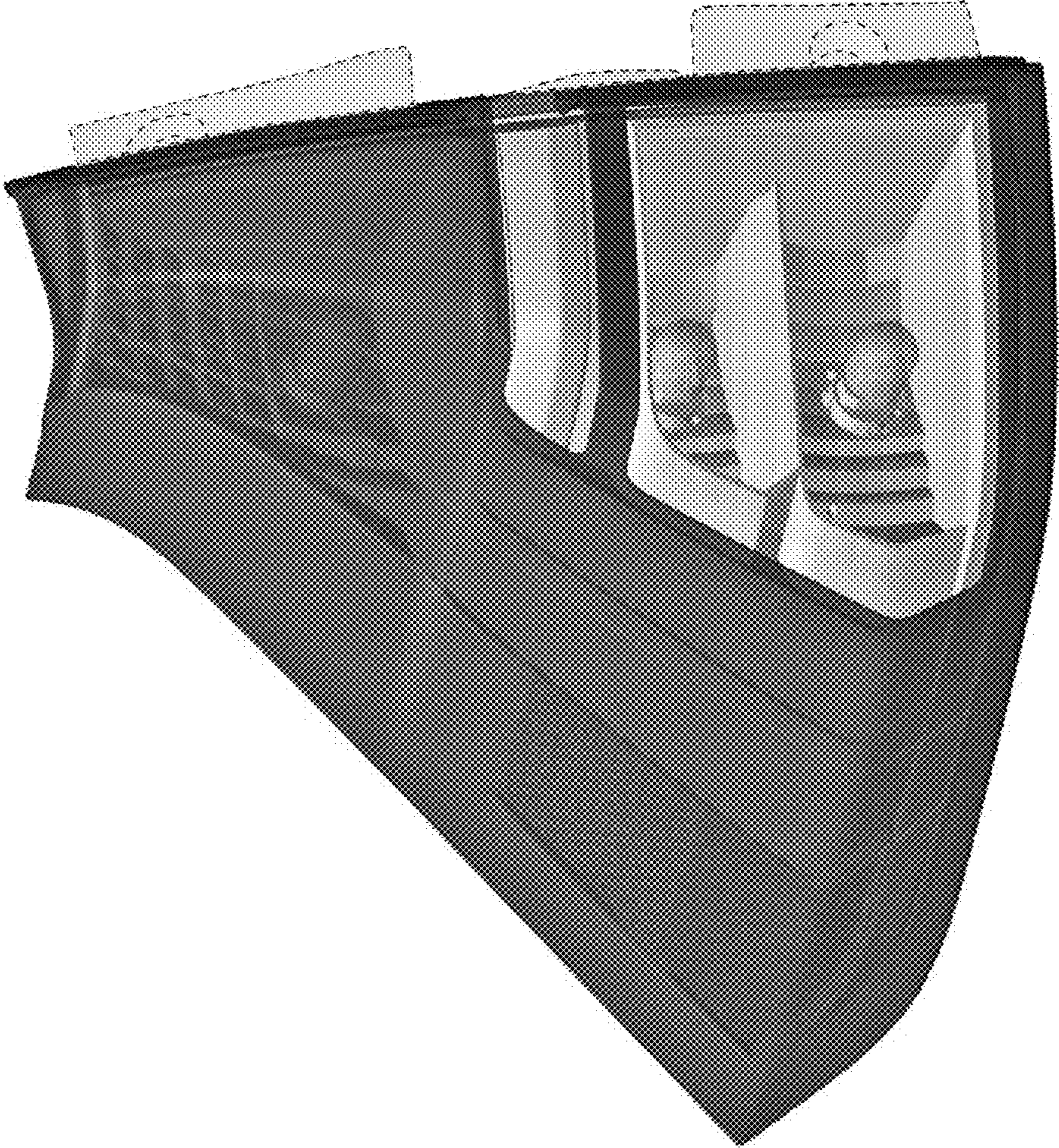


Fig. 1

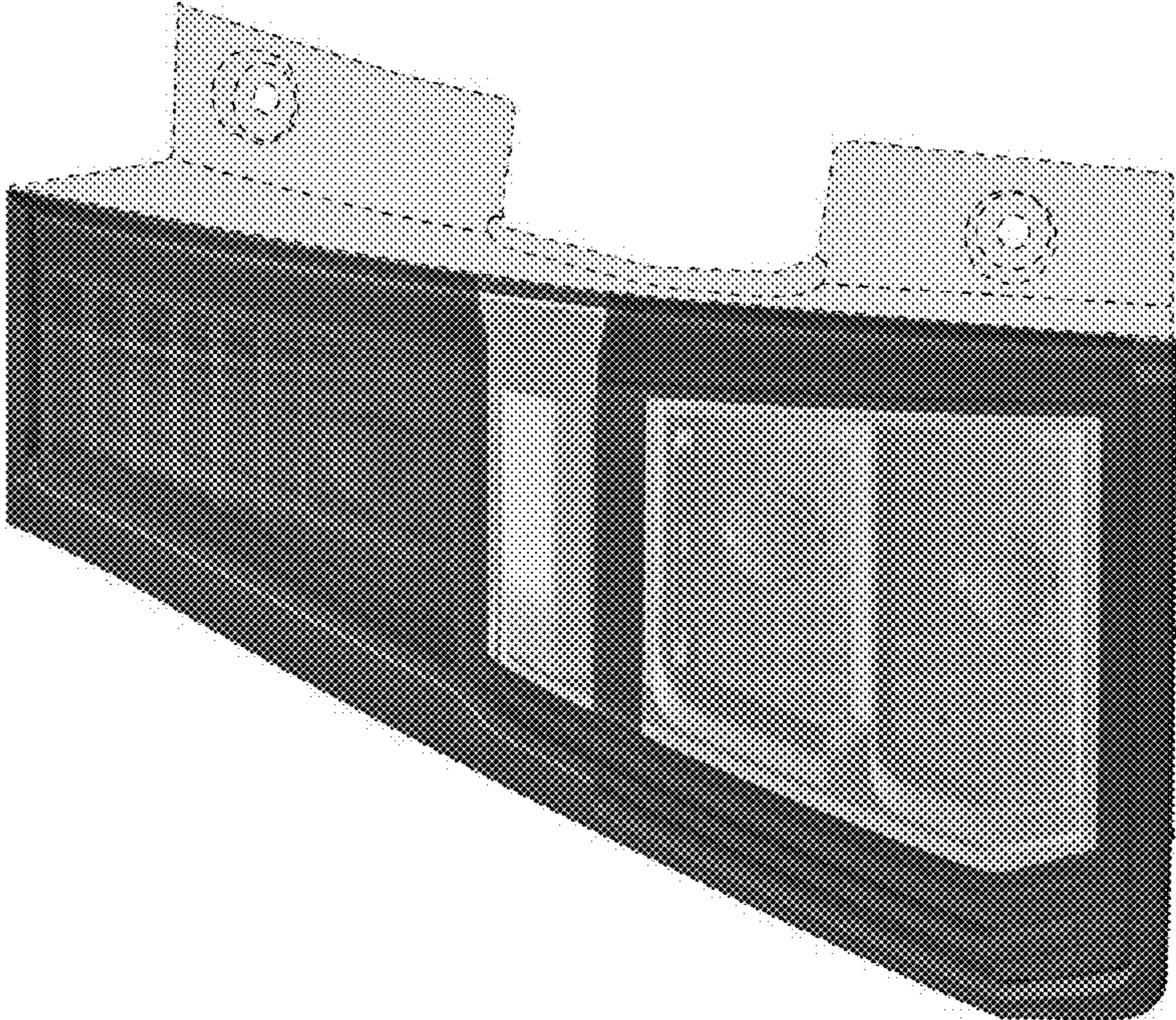


Fig. 2

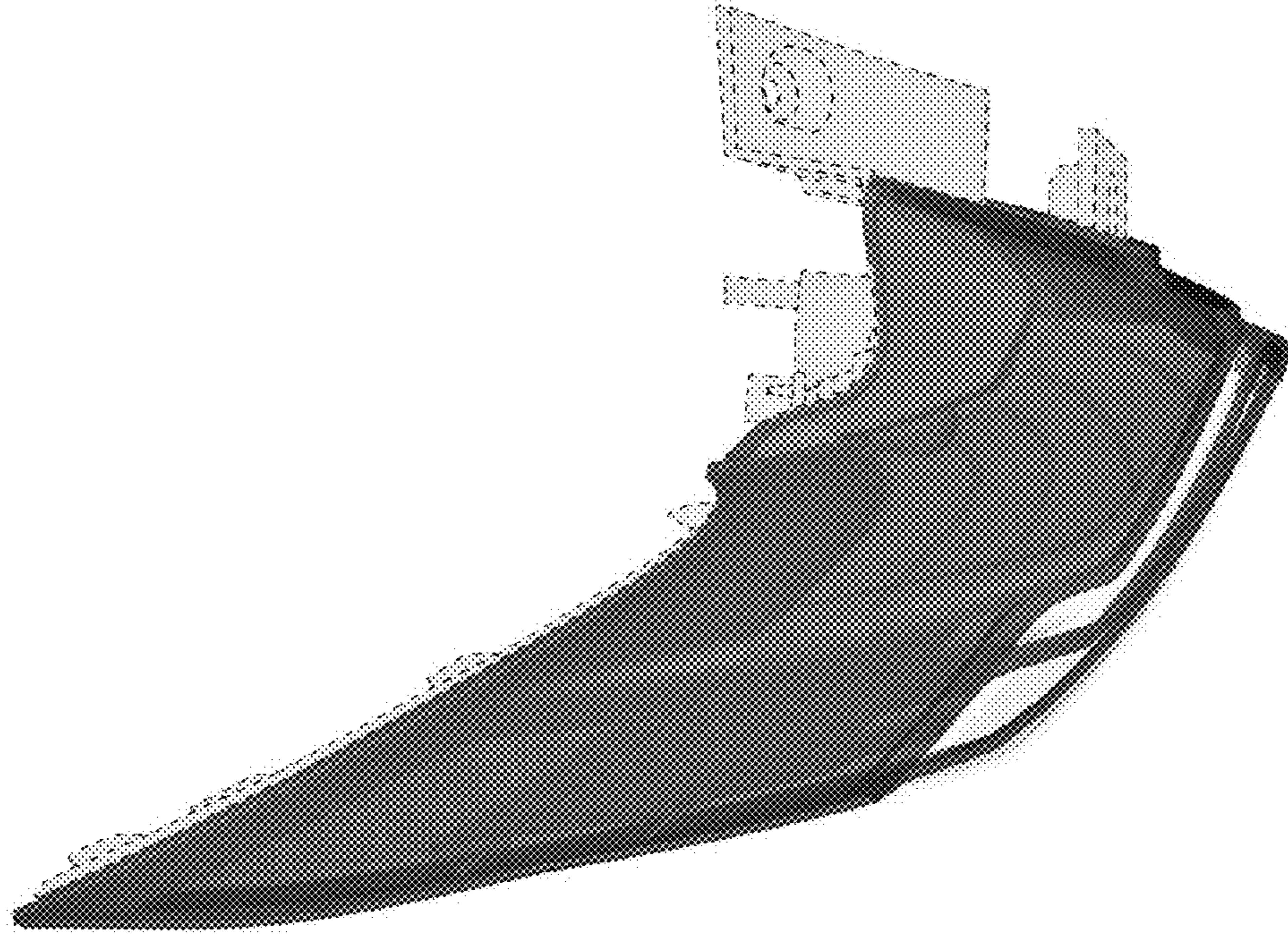


Fig. 3

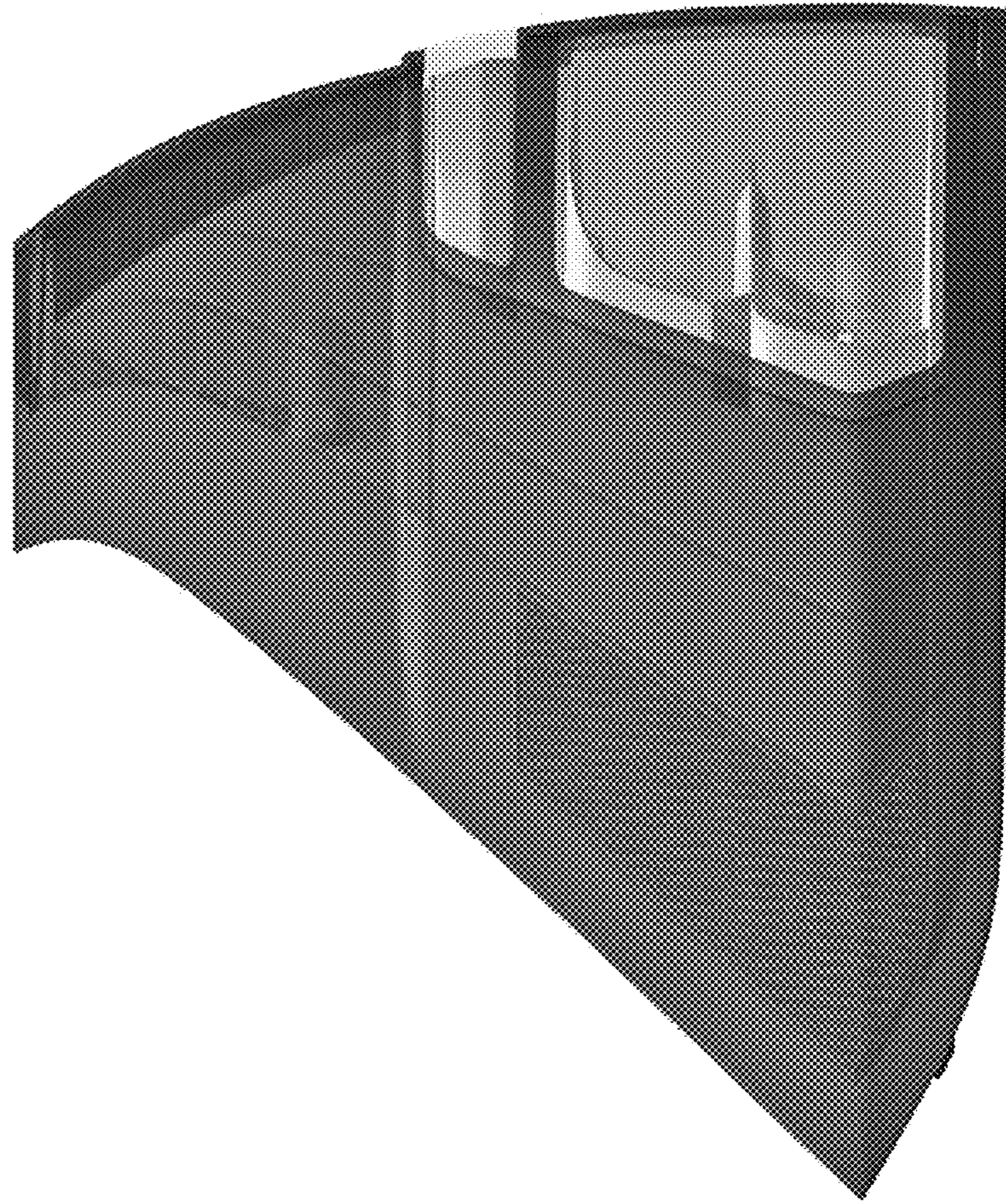


Fig. 4