

US00D755417S

(12) **United States Design Patent**  
**Eustace et al.**

(10) **Patent No.:** **US D755,417 S**  
(45) **Date of Patent:** **\*\* May 3, 2016**

(54) **LIGHTING DEVICE**

(71) Applicant: **Mole-Richardson Co., LTD,**  
Hollywood, CA (US)

(72) Inventors: **Brian Eustace,** Sierra Madre, CA (US);  
**Joshue Noe Martinez,** Los Angeles, CA  
(US); **Christian Jensen,** Van Nuys, CA  
(US)

(73) Assignee: **Mole-Richardson Co., LTD,** Pacoima,  
CA (US)

(\*\*) Term: **14 Years**

(21) Appl. No.: **29/486,920**

(22) Filed: **Apr. 3, 2014**

(51) **LOC (10) Cl.** ..... **26-02**

(52) **U.S. Cl.**  
USPC ..... **D26/24; D26/72**

(58) **Field of Classification Search**  
USPC ..... D26/24, 37-51, 56-60, 67, 72, 80-81,  
D26/113, 138; 362/103-105, 184, 194-196,  
362/202-206, 227, 236  
CPC ..... F21L 4/00; F21L 4/022; F21L 4/025;  
F21L 4/027; F21L 7/00; F21L 19/00; F21V  
21/084; F21V 21/0085; F21W 2111/10;  
F21W 2131/00; F21W 2131/40; F21W  
2131/406

See application file for complete search history.

(56) **References Cited**

**U.S. PATENT DOCUMENTS**

D278,937 S \* 5/1985 Peeler ..... D26/24  
D279,611 S \* 7/1985 Peeler ..... D26/24

D315,801 S \* 3/1991 Luger ..... D26/24  
6,120,164 A \* 9/2000 Libin ..... F21V 21/30  
362/227  
D691,311 S \* 10/2013 Chen ..... D26/40

**OTHER PUBLICATIONS**

12,000 Watt, Molequartz Spacelite, Type 7281, Product Flyer, Mole-Richardson Co., Hollywood, CA 2008.

6,000 Watt, Molequartz Spacelite, Type 7291, Product Flyer, Mole-Richardson Co., Hollywood, CA 2008.

2,000 Watt, Moequartz Spacelite, Type 7271, Product Flyer, Mole-Richardson Co., Hollywood, CA 2008.

\* cited by examiner

*Primary Examiner* — Sandra Morris

(74) *Attorney, Agent, or Firm* — Sheppard, Mullin, Richter & Hampton LLP

(57) **CLAIM**

We claim the ornamental design for a lighting device, as shown and described.

**DESCRIPTION**

FIG. 1 is a perspective view of the lighting device showing the new design;

FIG. 2 is a front elevational view thereof;

FIG. 3 is a rear elevational view thereof;

FIG. 4 is a left side elevational view thereof;

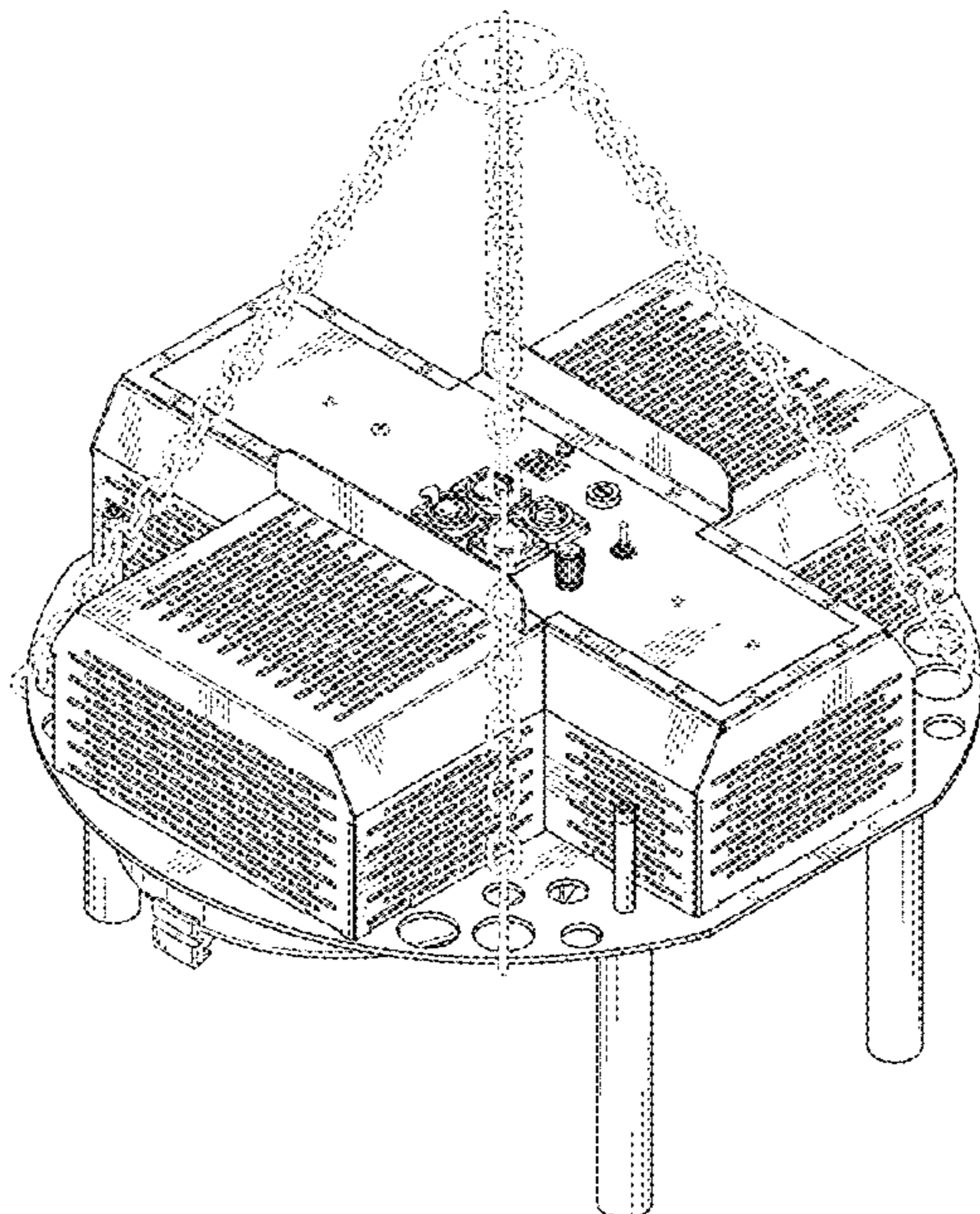
FIG. 5 is a right side elevational view thereof;

FIG. 6 is a top plan view thereof; and,

FIG. 7 is a bottom plan view thereof.

The broken lines shown represent unclaimed subject matter and form no part of the claimed design.

**1 Claim, 7 Drawing Sheets**



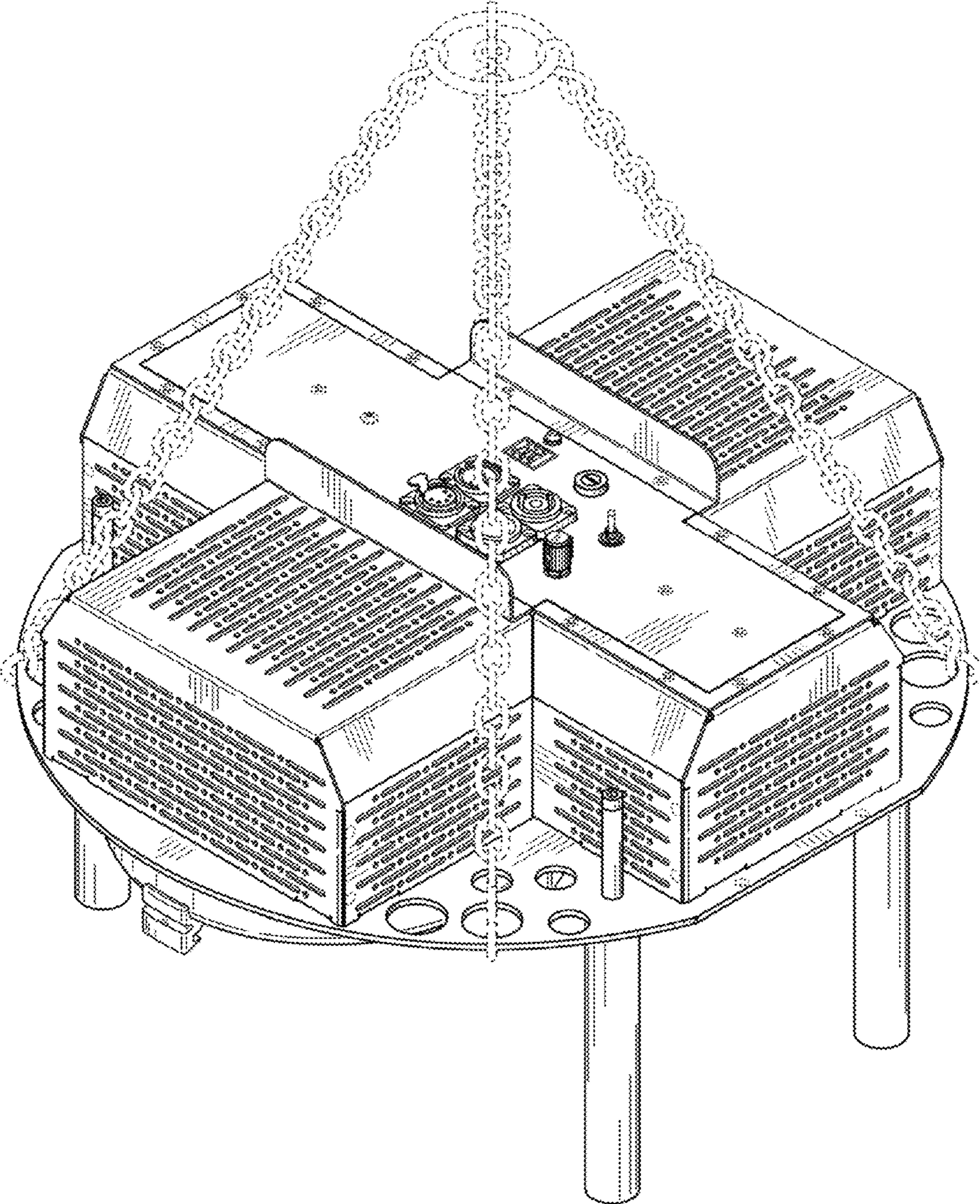


FIG. 1

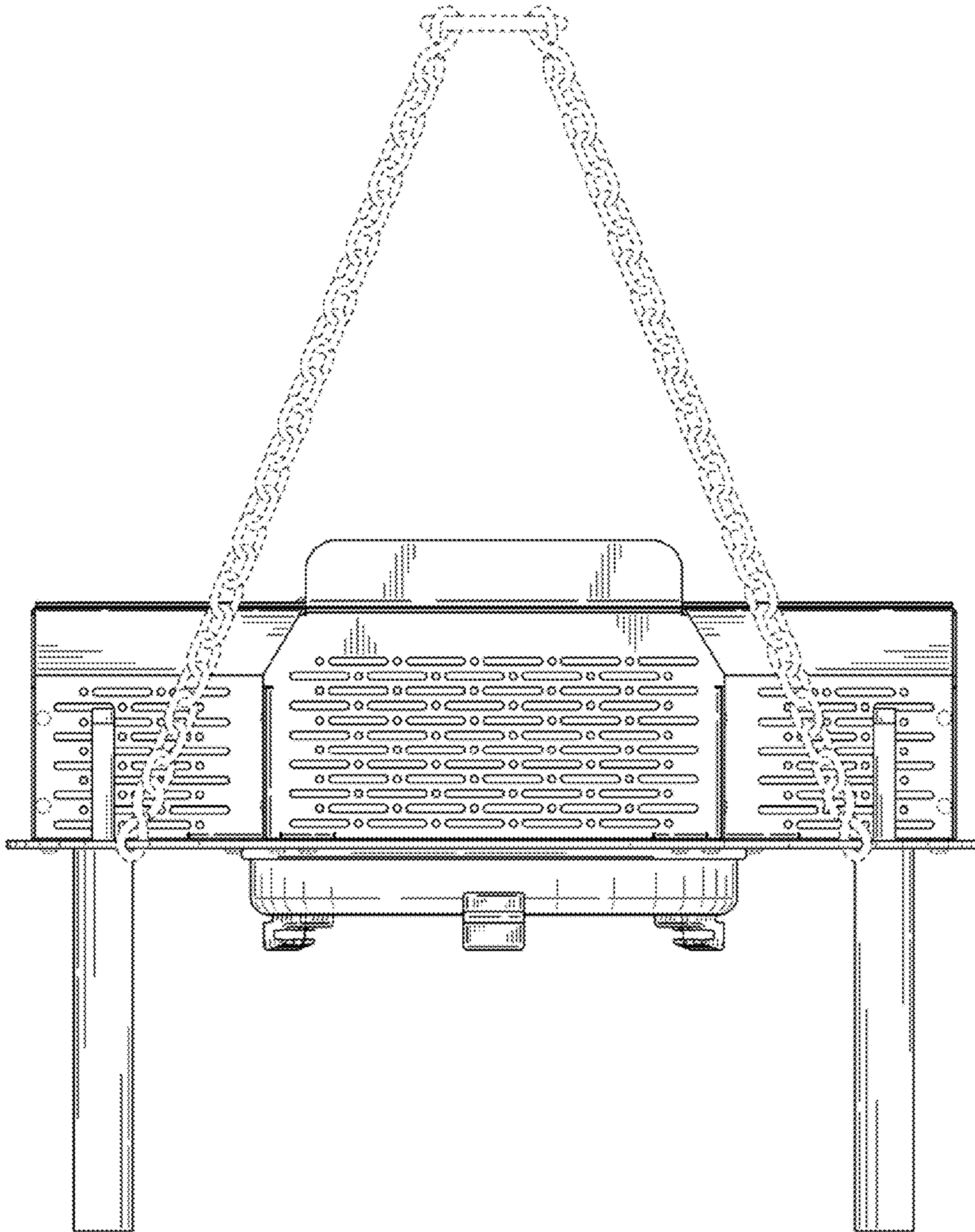


FIG. 2

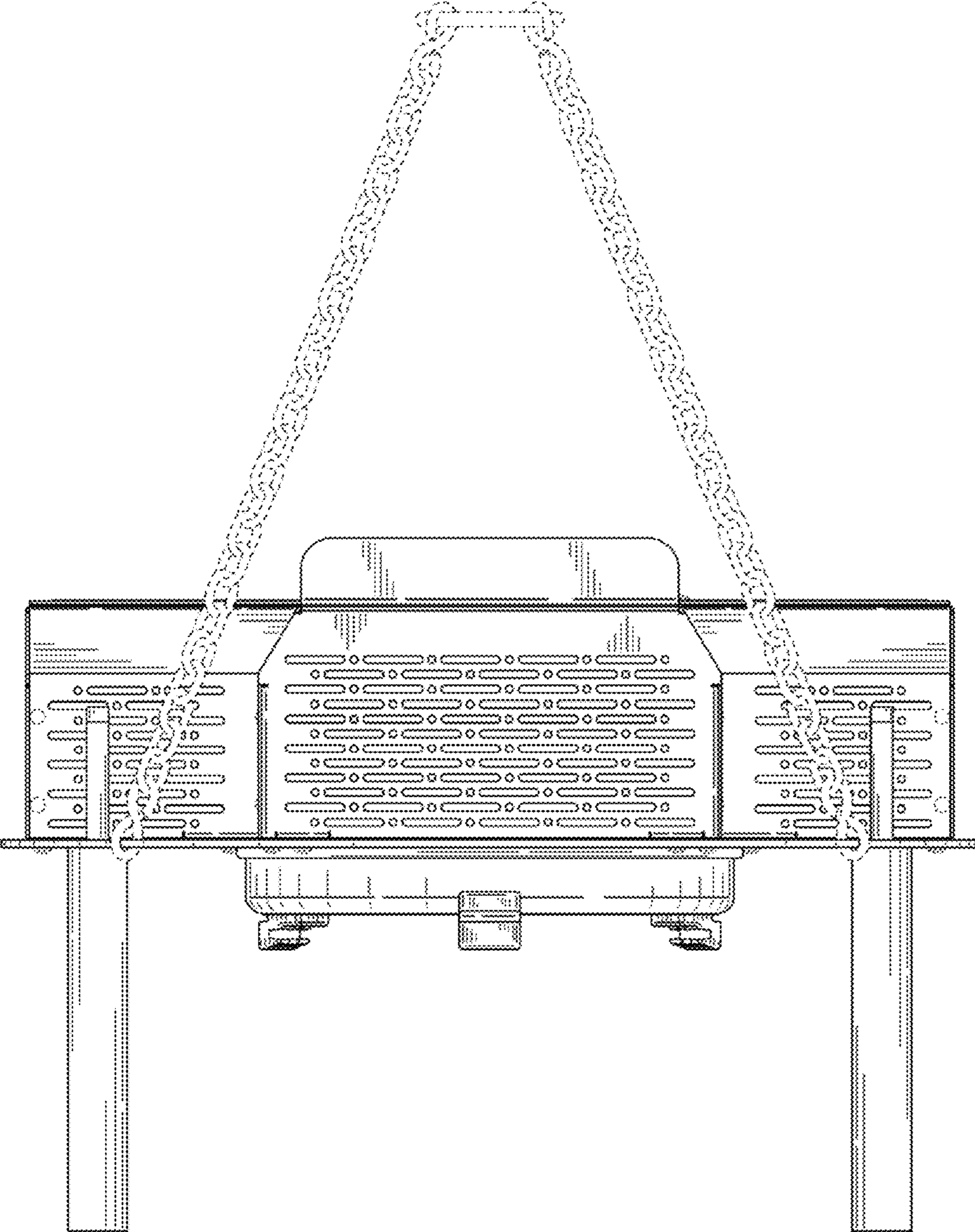


FIG. 3

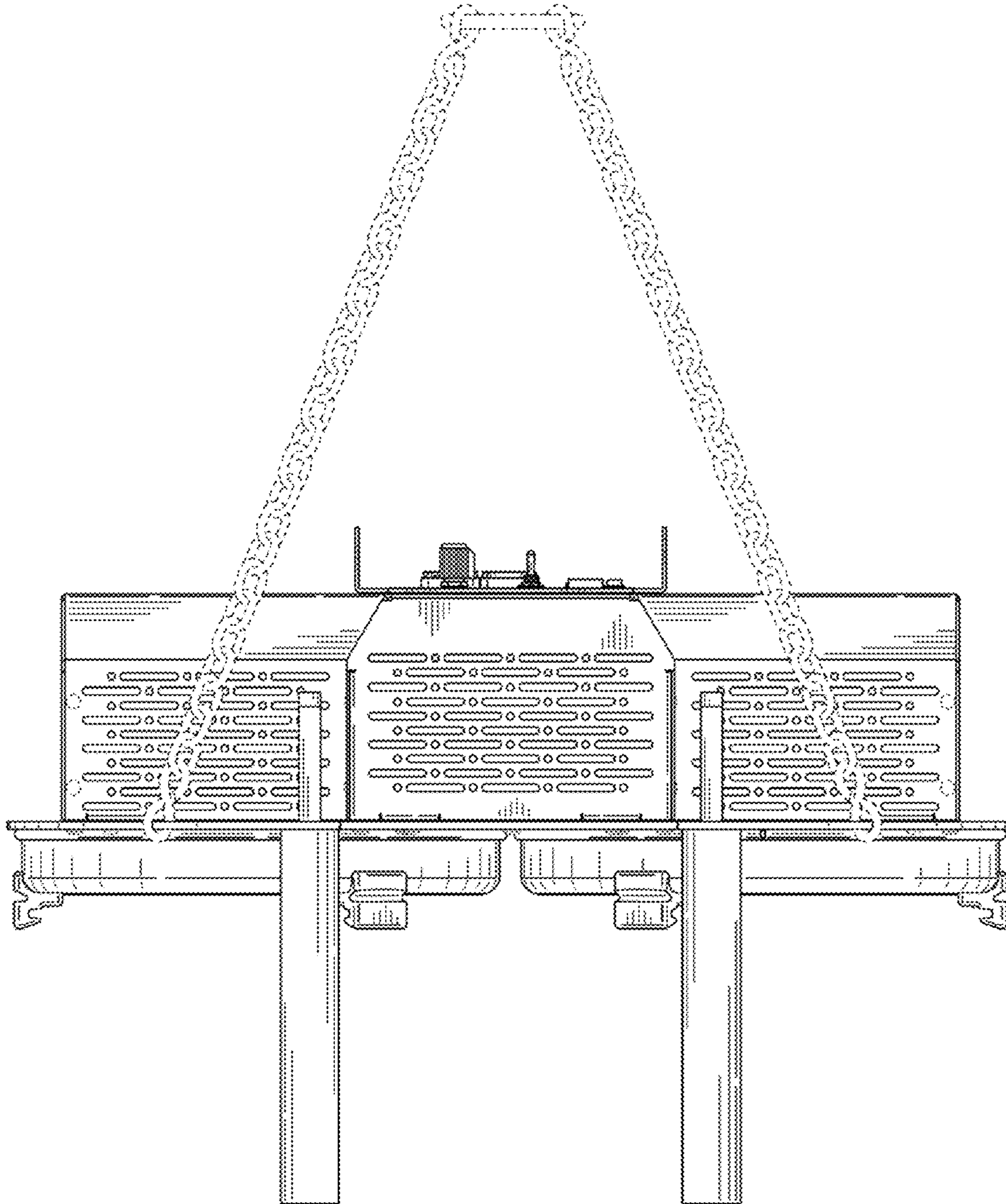


FIG. 4

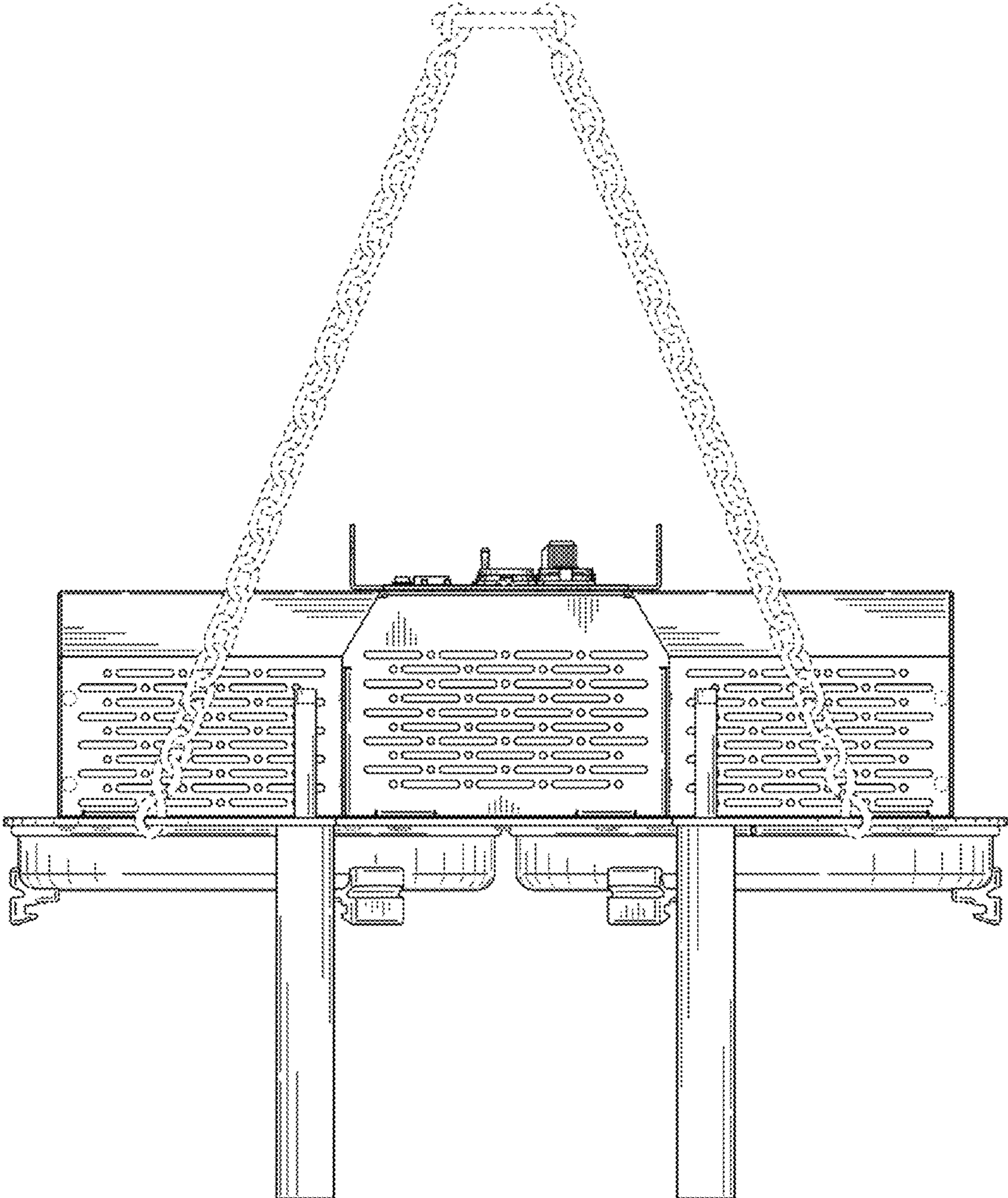


FIG. 5

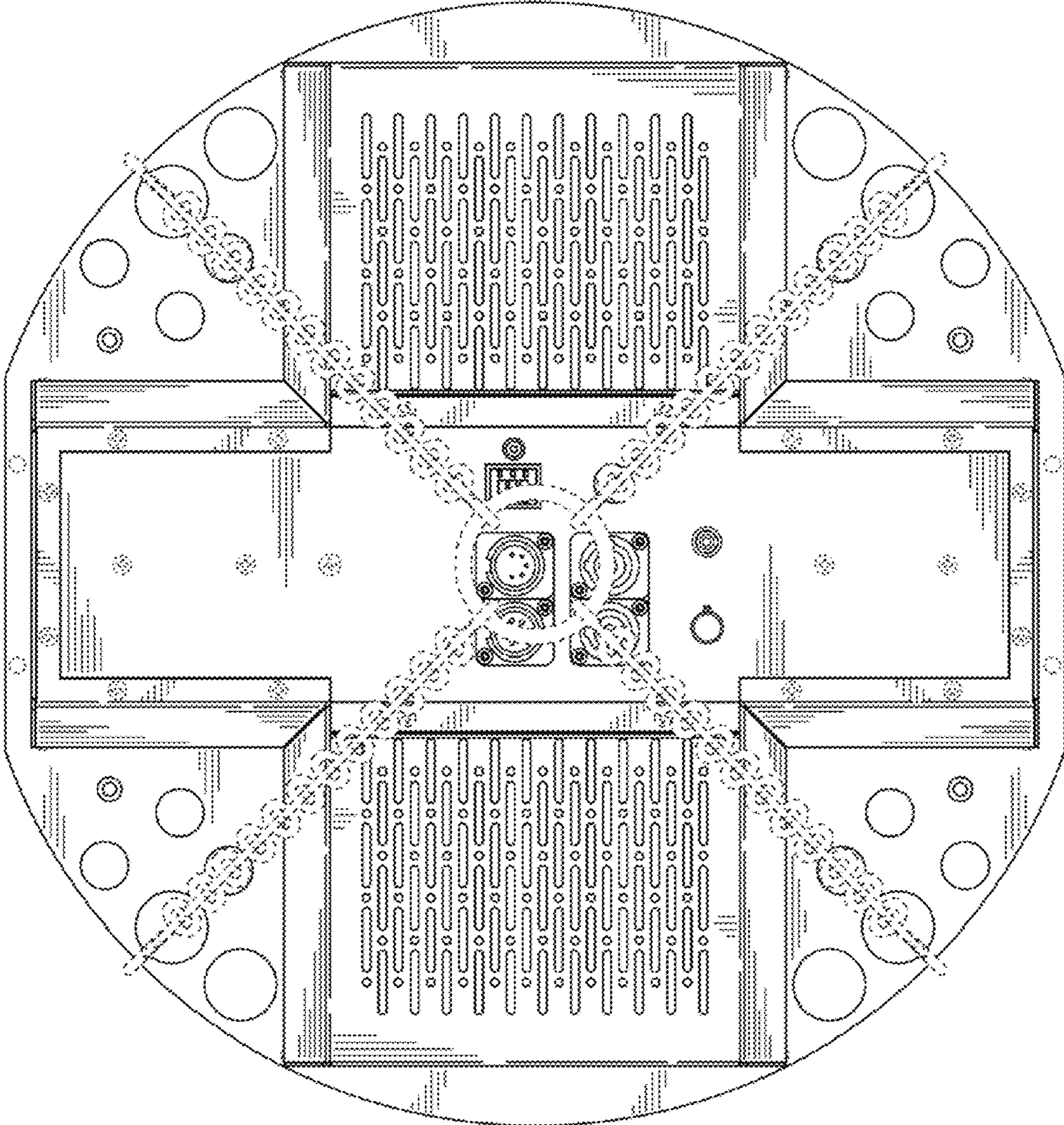


FIG. 6

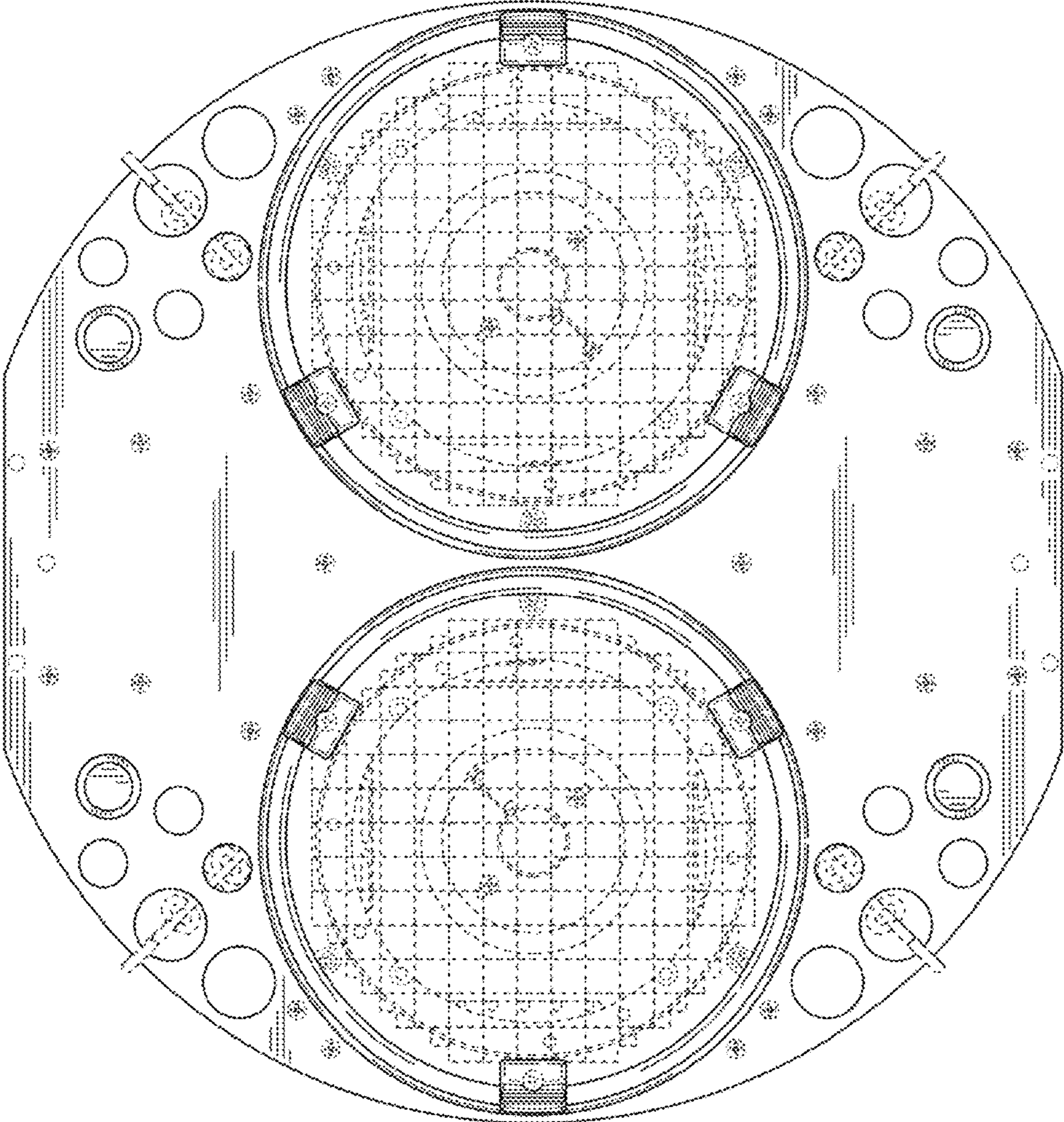


FIG. 7