



US00D755416S

(12) **United States Design Patent**
Brown et al.

(10) **Patent No.:** **US D755,416 S**

(45) **Date of Patent:** **** May 3, 2016**

(54) **TROPHY SHAPED CANDLE HOLDER**

Primary Examiner — Brian N Vinson

(71) Applicants: **Stan Brown**, Bradenton, FL (US); **Ruth Brown**, Bradenton, FL (US)

(74) *Attorney, Agent, or Firm* — Dinsmore & Shohl LLP

(72) Inventors: **Stan Brown**, Bradenton, FL (US); **Ruth Brown**, Bradenton, FL (US)

(57) **CLAIM**

The ornamental design for a trophy shaped candle holder, as shown and described.

(**) Term: **14 Years**

(21) Appl. No.: **29/510,891**

DESCRIPTION

(22) Filed: **Dec. 4, 2014**

(51) **LOC (10) Cl.** **26-01**

(52) **U.S. Cl.**
USPC **D26/13**

(58) **Field of Classification Search**
USPC D26/1, 13, 14, 60, 63, 65, 93, 94, 102;
D11/152, 154; D21/698
CPC F21V 35/00; F21V 33/00; F21V 21/02;
F21V 21/14; F21S 6/00; F21S 6/002; F21S
6/005; F21W 2121/00; F21W 2131/00
See application file for complete search history.

FIG. 1 is a perspective view of the front of a trophy shaped candle holder in a closed position;
FIG. 2 is a plan top view of the trophy shaped candle holder in the closed position;
FIG. 3 is an elevational view of the front of the trophy shaped candle holder in the closed position;
FIG. 4 is an elevational view of the side of the trophy shaped candle holder in the closed position;
FIG. 5 is a plan bottom view of the trophy shaped candle holder in the closed position;
FIG. 6 is a perspective view of the front of the trophy shaped candle holder in an open position;
FIG. 7 is an elevational view of the front of the trophy shaped candle holder in the open position;
FIG. 8 is an elevational view of the side of the trophy shaped candle holder in the open position; and,
FIG. 9 is a plan top view of trophy shaped candle holder in the open position.
The broken line disclosure represents portions of the article which form no part of the claimed design.

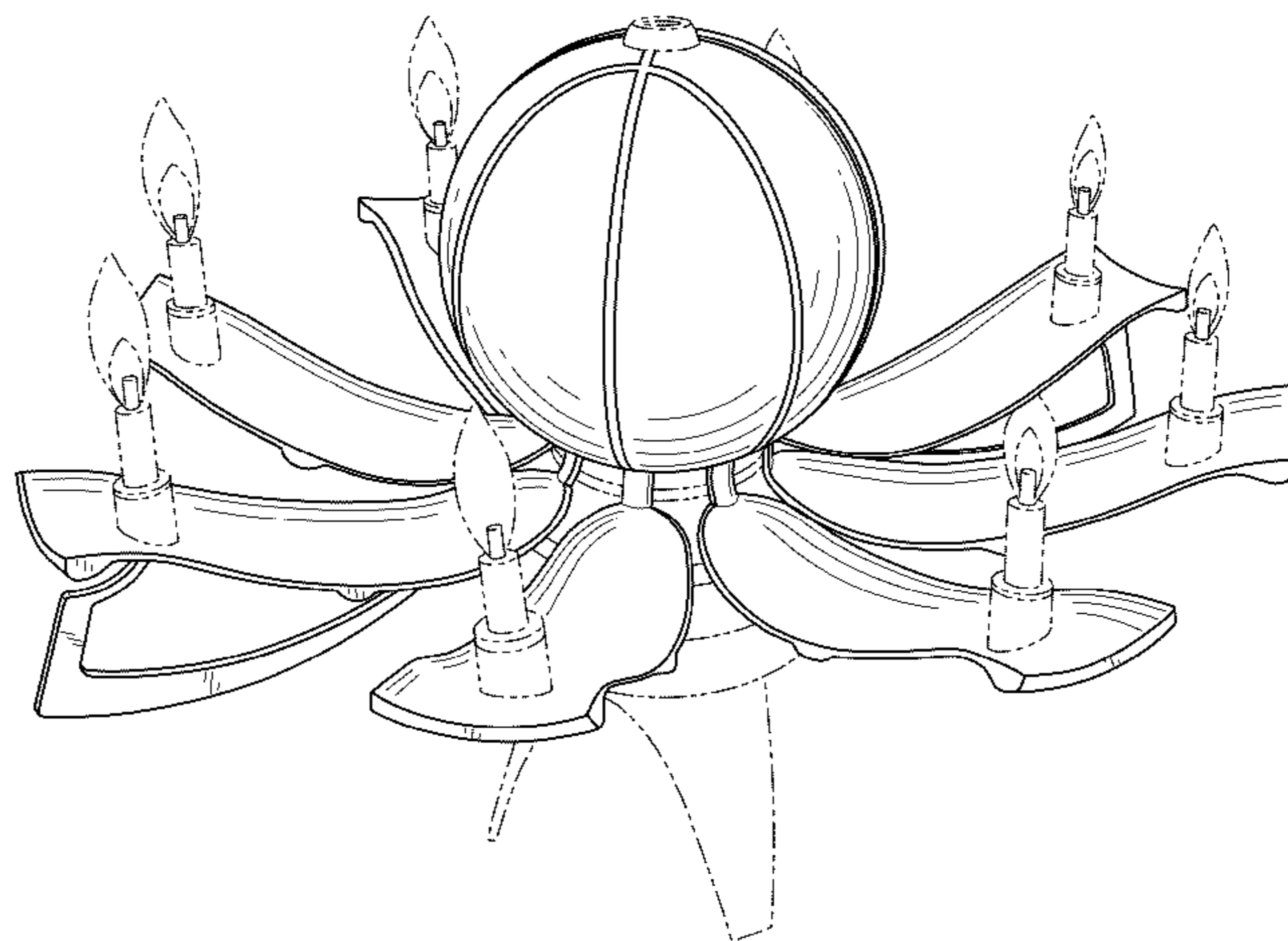
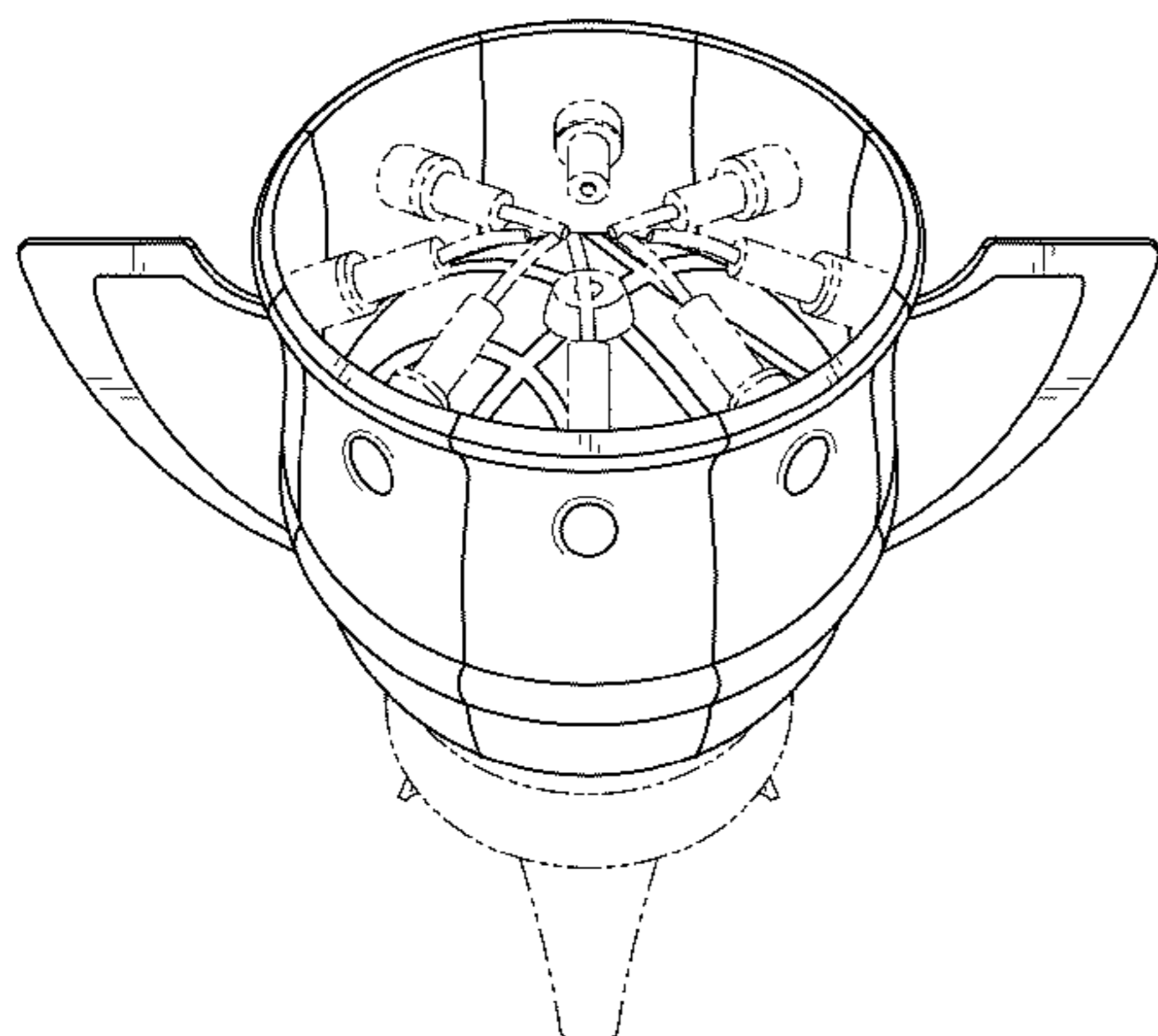
(56) **References Cited**

U.S. PATENT DOCUMENTS

D190,651 S *	6/1961	Allen	D11/154
D242,647 S *	12/1976	Van Horn	47/67
D442,711 S *	5/2001	Patterson	D26/13
D455,506 S *	4/2002	Barker	D26/13
D579,818 S *	11/2008	Lambert	D11/152

* cited by examiner

1 Claim, 4 Drawing Sheets



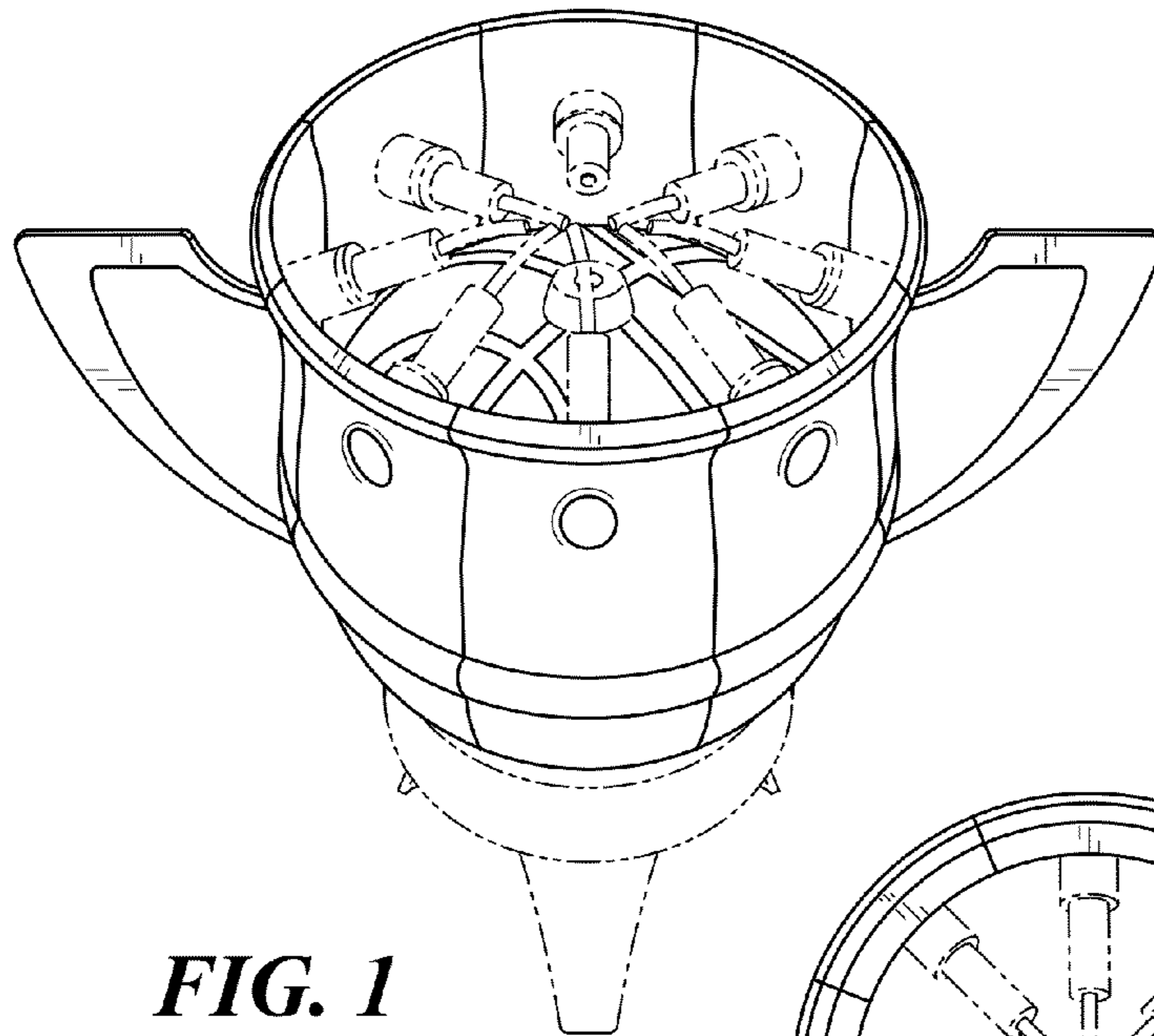


FIG. 1

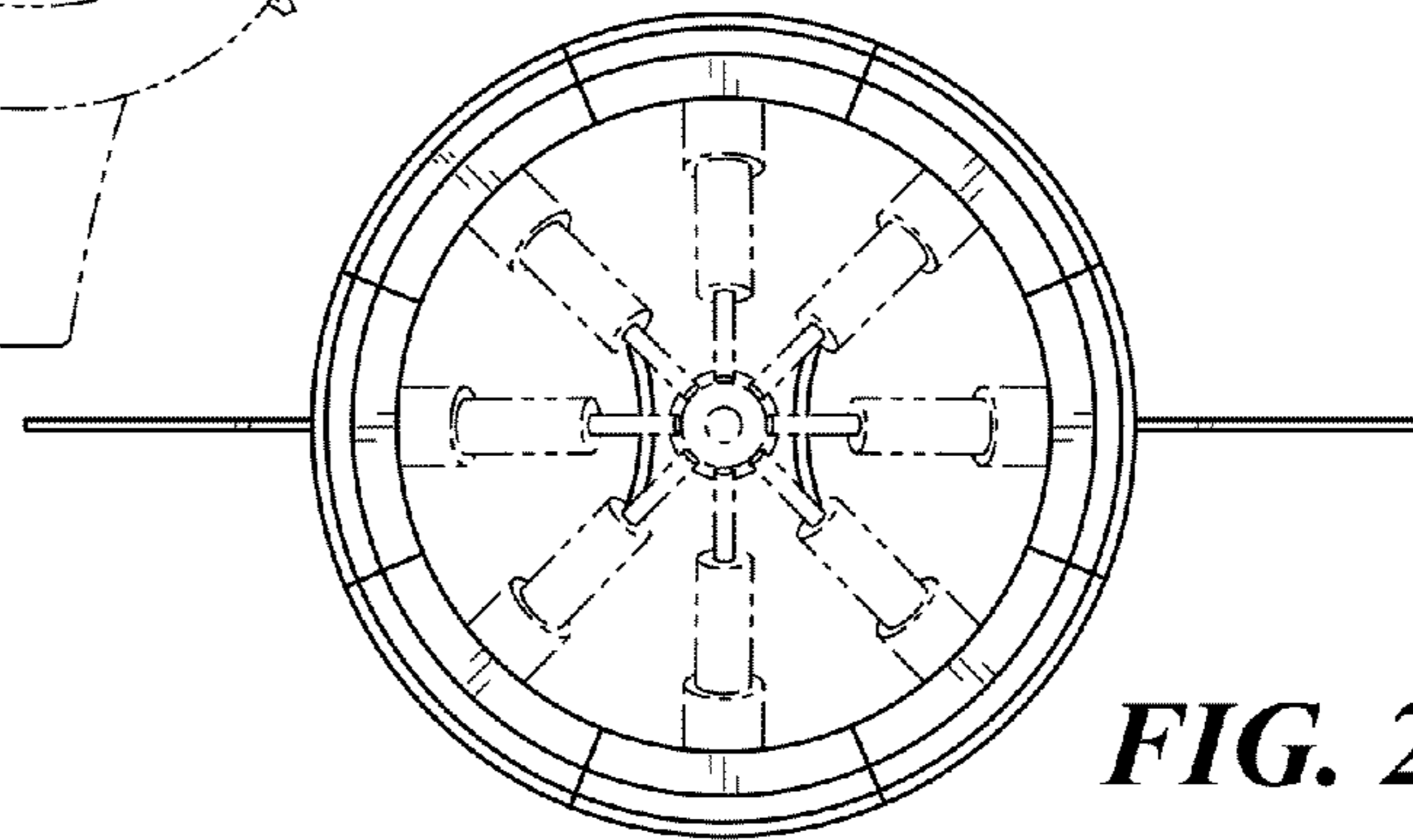


FIG. 2

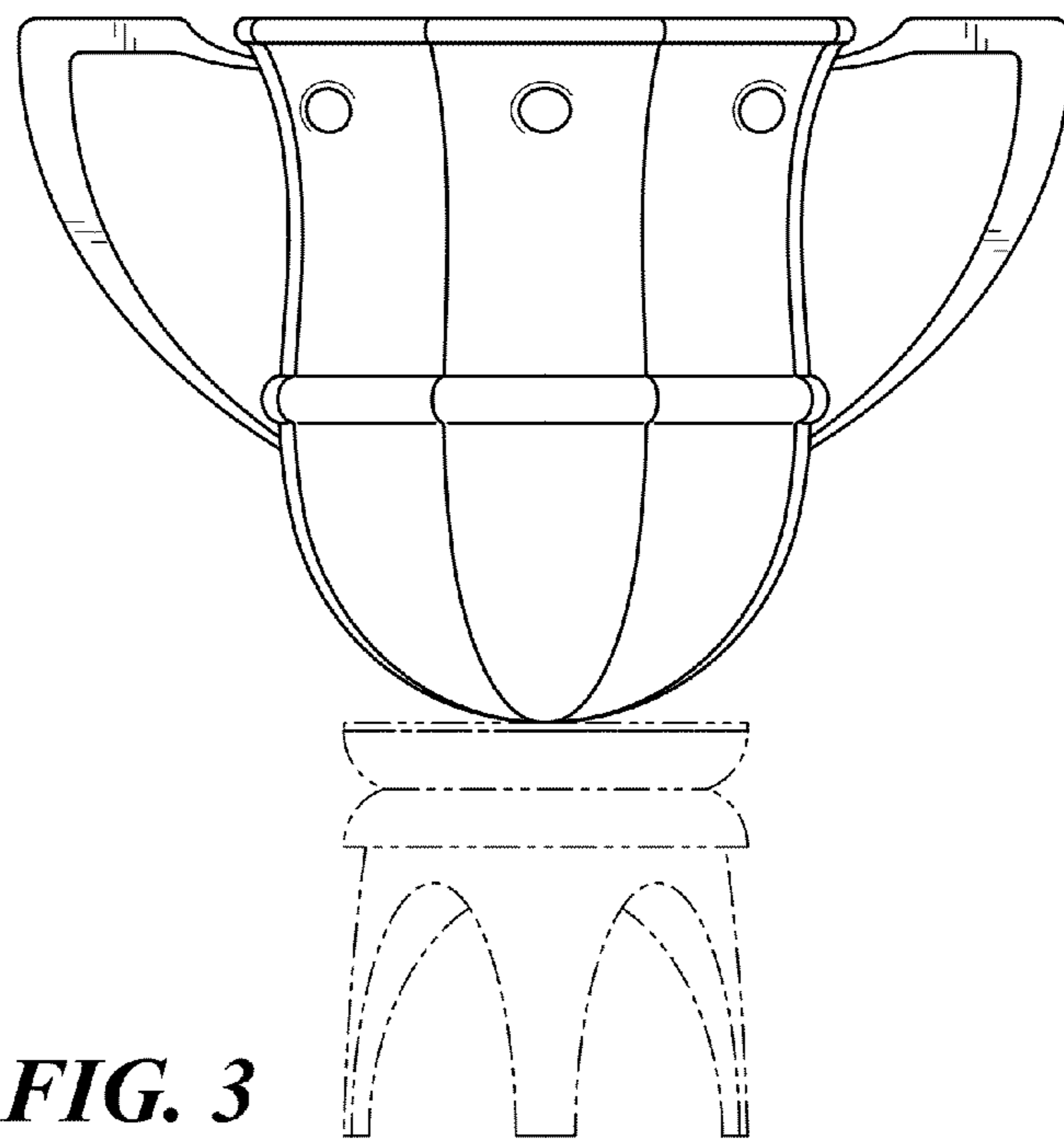


FIG. 3

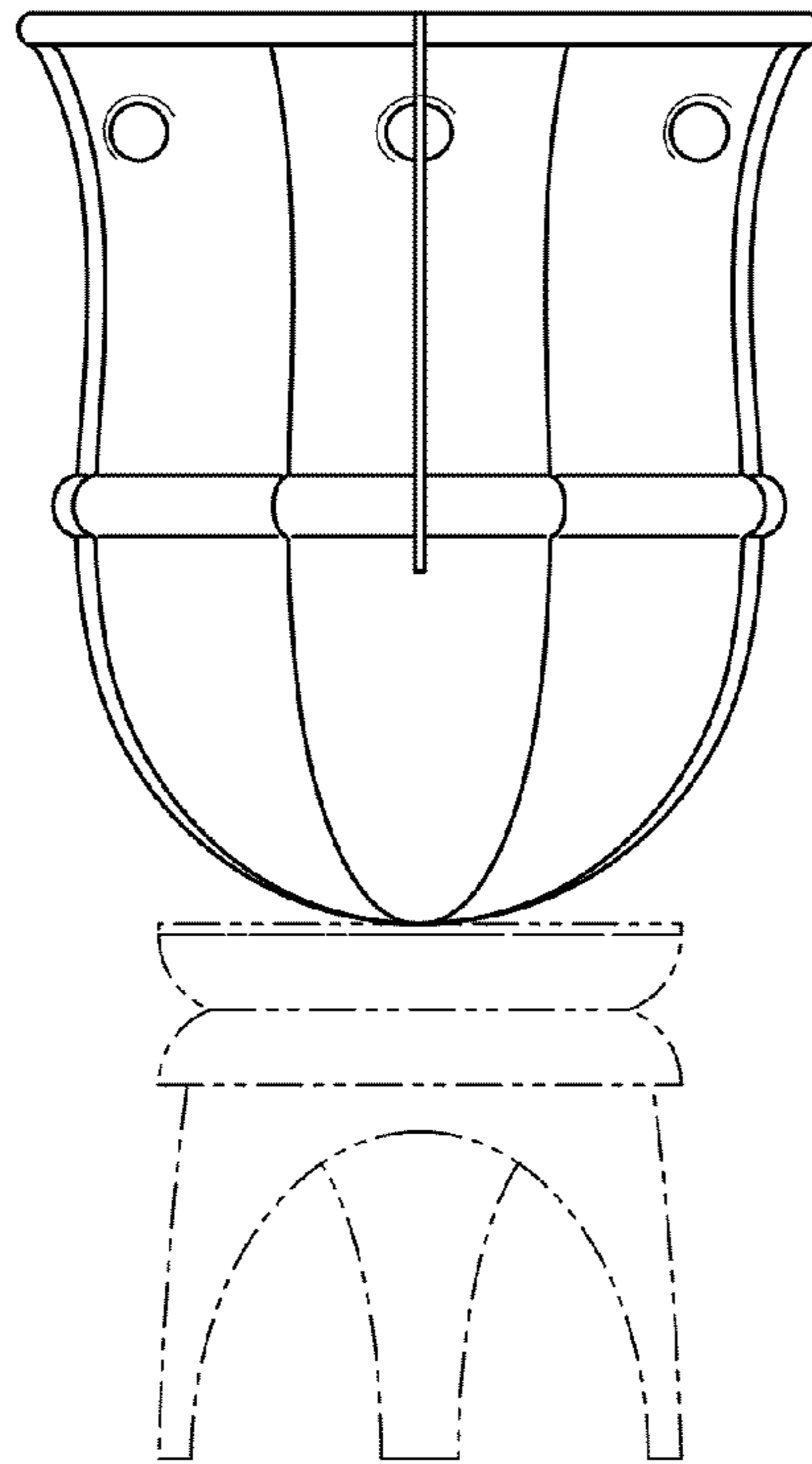


FIG. 4

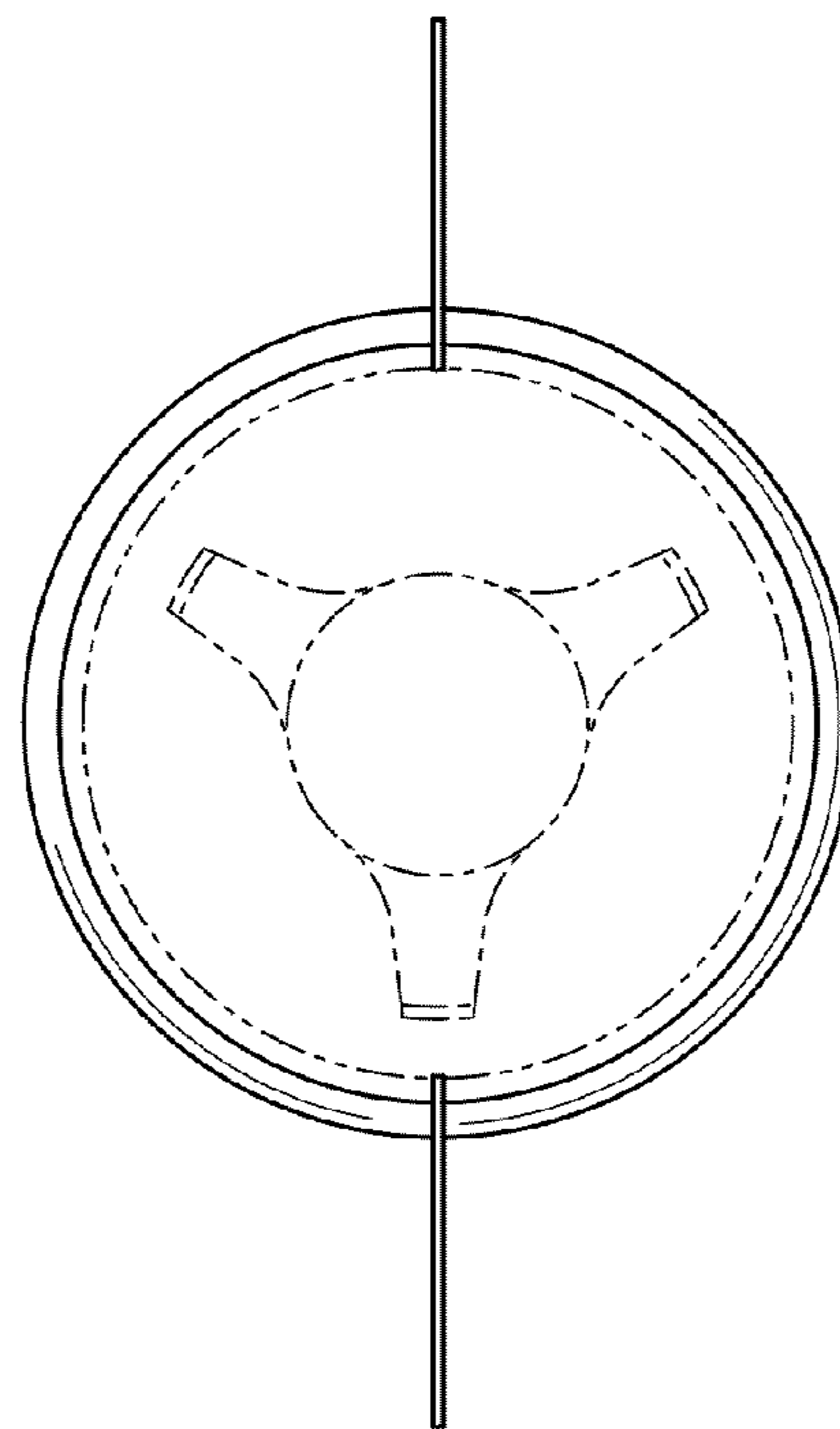


FIG. 5

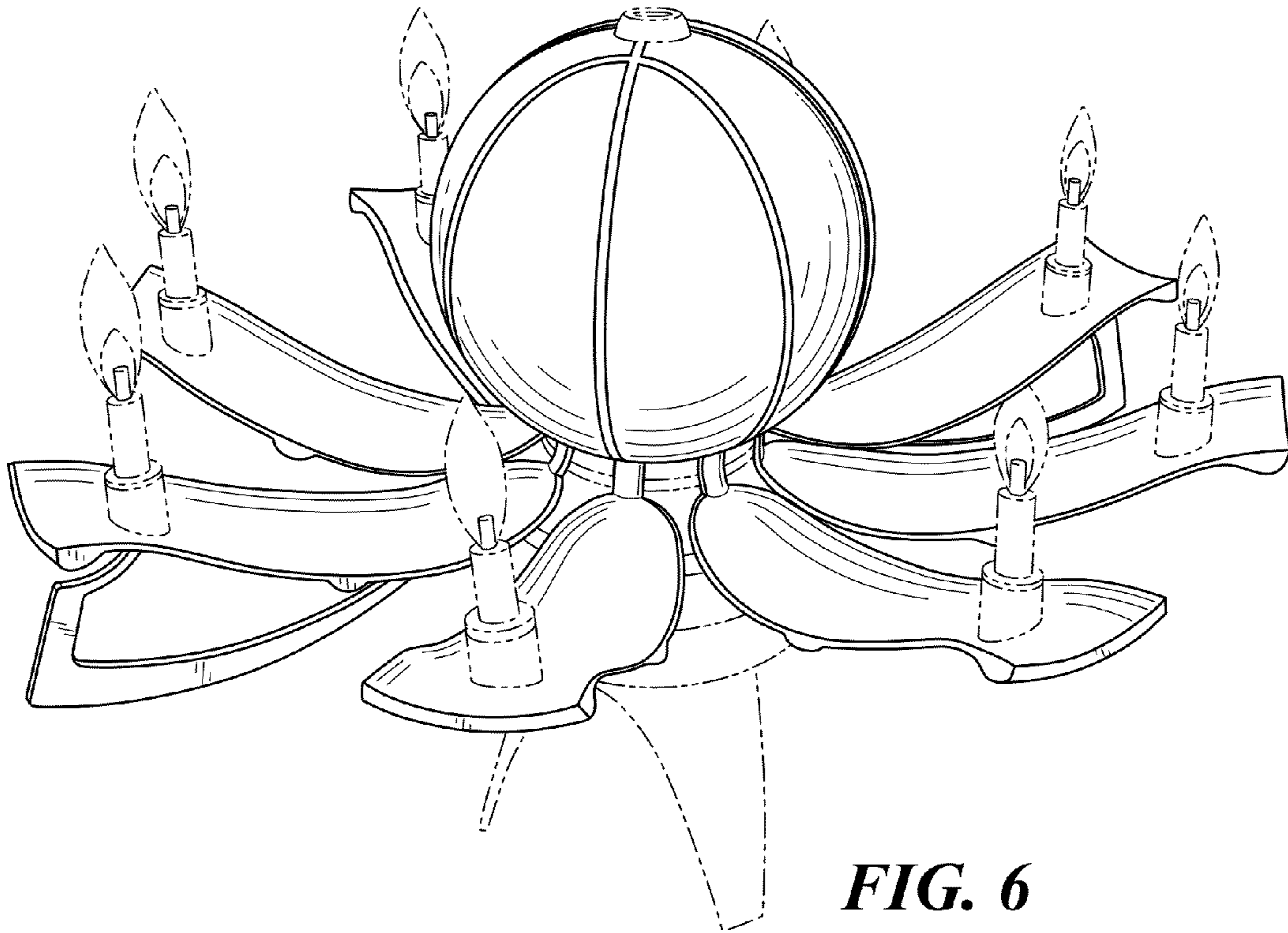


FIG. 6

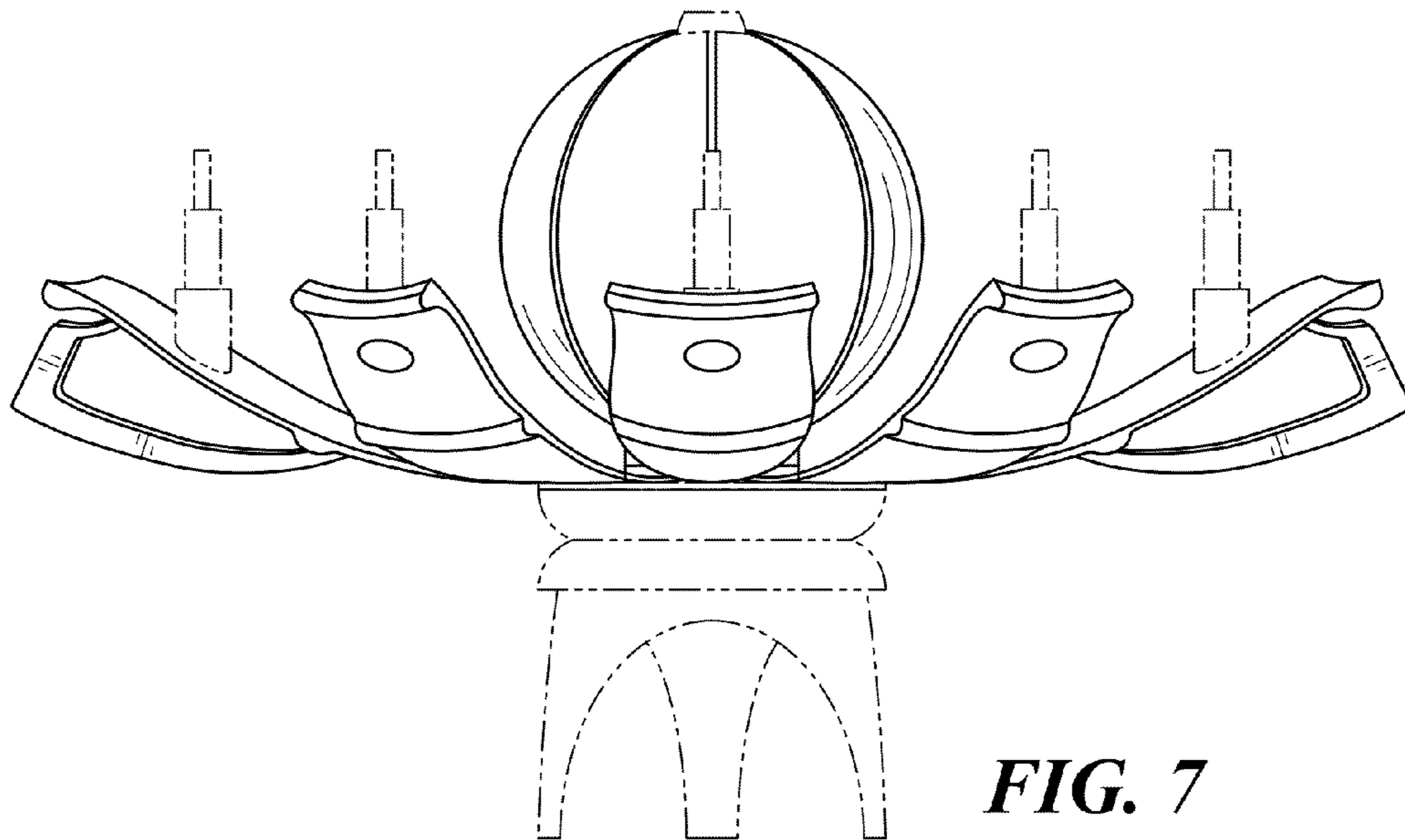


FIG. 7

