



US00D755414S

(12) **United States Design Patent**  
**Taylor**

(10) **Patent No.:** **US D755,414 S**

(45) **Date of Patent:** **\*\* May 3, 2016**

(54) **LED LAMP**  
(71) Applicant: **TADD, LLC**, Cary, IL (US)  
(72) Inventor: **Timothy Taylor**, Barrington, IL (US)  
(73) Assignee: **TADD, LLC**, Cary, IL (US)  
(\*\*) Term: **14 Years**

D571,489 S 6/2008 Opolka  
D574,092 S 7/2008 Sun  
D582,578 S 12/2008 Tsai et al.  
D584,428 S 1/2009 Li et al.  
7,524,089 B2 4/2009 Park  
D593,222 S 5/2009 To et al.  
7,581,856 B2 9/2009 Kang et al.  
D602,182 S \* 10/2009 Foo ..... D26/2  
7,703,949 B2 4/2010 Lai  
D621,974 S 8/2010 Grajcar  
D623,777 S \* 9/2010 Moon ..... D26/2

(21) Appl. No.: **29/517,391**

(Continued)

(22) Filed: **Feb. 12, 2015**

FOREIGN PATENT DOCUMENTS

(51) **LOC (10) Cl.** ..... **26-04**  
(52) **U.S. Cl.**  
USPC ..... **D26/2**

EP 2287527 2/2011  
WO 00/17569 3/2000  
WO 2010/096498 8/2010

(58) **Field of Classification Search**  
USPC ..... D26/1-4, 113, 118; 313/313, 315, 316,  
313/317, 318, 493; 315/52, 53, 56, 57, 58;  
D13/179  
CPC ..... F21K 9/135; F21K 9/1375; F21K 9/13  
See application file for complete search history.

OTHER PUBLICATIONS

High Power E27 60 LED light LED Bulb light lamp 220V 3W;  
<http://www.lovesaction.com>.

(56) **References Cited**

*Primary Examiner* — Ian Simmons  
*Assistant Examiner* — Harold Blackwell, II  
(74) *Attorney, Agent, or Firm* — Clark Hill PLC; James R. Foley

U.S. PATENT DOCUMENTS

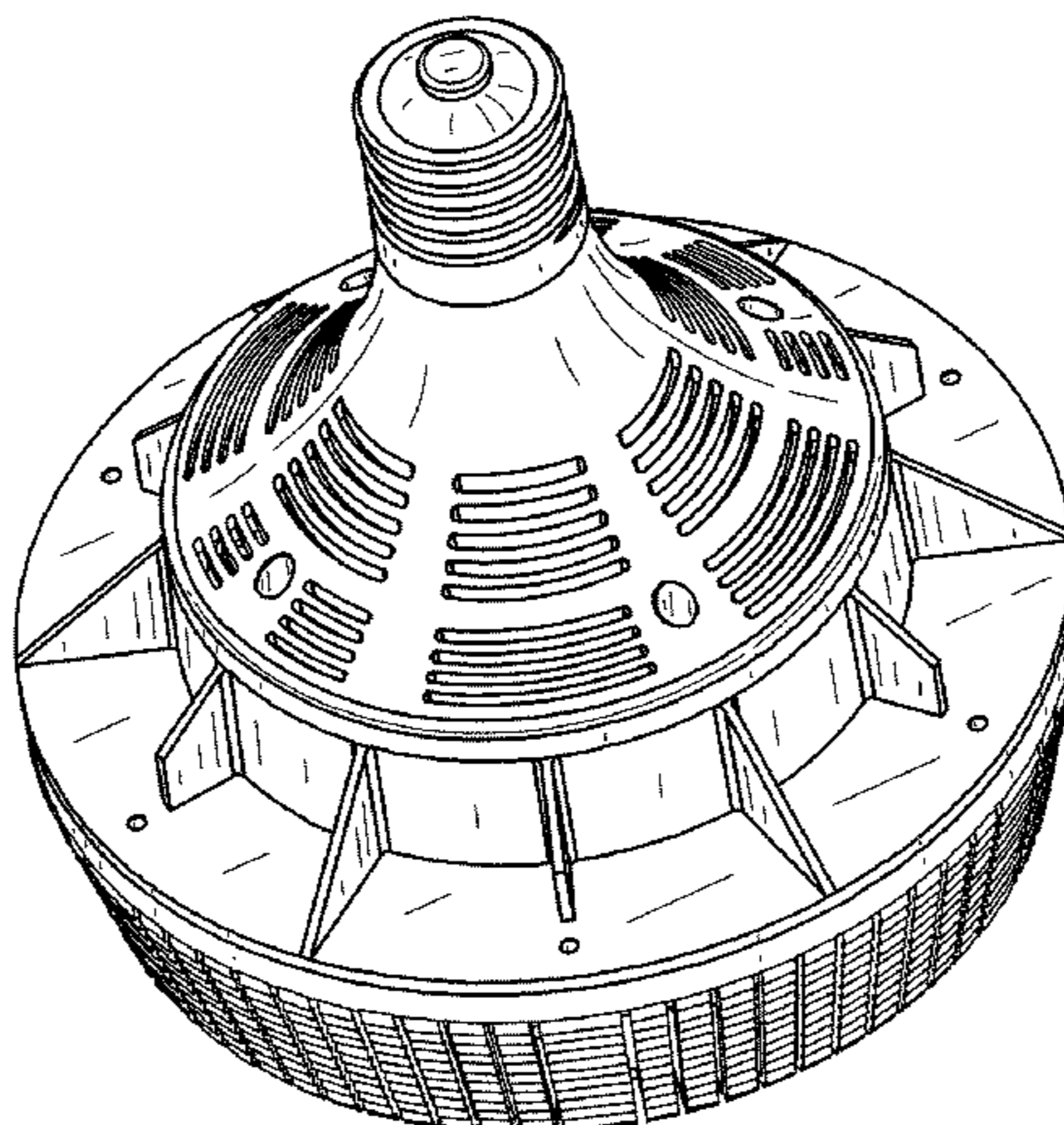
3,721,814 A 3/1973 Ries  
5,561,346 A 10/1996 Byrne  
5,806,965 A 9/1998 Deese  
6,220,722 B1 4/2001 Begemann  
6,499,860 B2 12/2002 Begemann  
6,511,209 B1 1/2003 Chiang  
6,577,512 B2 6/2003 Tripathi et al.  
6,586,890 B2 7/2003 Min et al.  
6,634,770 B2 10/2003 Cao  
6,634,771 B2 10/2003 Cao  
6,719,446 B2 4/2004 Cao  
D513,640 S 1/2006 Chen  
D514,715 S 2/2006 Chen  
7,086,756 B2 8/2006 Maxik  
D545,457 S 6/2007 Chen  
7,262,559 B2 8/2007 Tripathi et al.  
D566,300 S 4/2008 Lo

(57) **CLAIM**  
The ornamental design for an LED lamp, as shown and described.

**DESCRIPTION**

FIG. 1 is a perspective view of the LED lamp;  
FIG. 2 is a side view thereof;  
FIG. 3 is a top view thereof; and,  
FIG. 4 is a bottom view thereof.  
The broken lines in the drawings are included for the purpose of illustrating unclaimed portions of the LED lamp and form no part of the claimed design.

**1 Claim, 4 Drawing Sheets**



(56)

References Cited

U.S. PATENT DOCUMENTS

7,862,204 B2	1/2011	Lodhie		2005/0243552 A1	11/2005	Maxik	
7,878,697 B2	2/2011	Chiang		2006/0232984 A1	10/2006	Schuknecht et al.	
7,959,330 B2	6/2011	Hashimoto et al.		2009/0002986 A1	1/2009	Medendorp, Jr. et al.	
D642,316 S *	7/2011	Zheng .....	D26/2	2009/0059559 A1	3/2009	Pabst et al.	
7,990,031 B2	8/2011	Lu		2009/0109674 A1	4/2009	Lodhie	
7,997,750 B2	8/2011	Chiang		2009/0195186 A1	8/2009	Guest et al.	
D663,049 S *	7/2012	Wada .....	D26/2	2010/0207502 A1	8/2010	Cao et al.	
D673,698 S *	1/2013	Taylor .....	D26/2	2010/0264799 A1	10/2010	Liu et al.	
8,350,479 B1	1/2013	Brazille, II		2010/0289410 A1	11/2010	Wu et al.	
D706,462 S *	6/2014	Lu .....	D26/2	2011/0037394 A1	2/2011	Lin et al.	
D712,074 S *	8/2014	Rupp .....	D26/2	2011/0074290 A1	3/2011	Sakai et al.	
D723,193 S *	2/2015	Taylor .....	D26/2	2011/0175545 A1	7/2011	Harris	
D723,194 S *	2/2015	Taylor .....	D26/2	2011/0255279 A1	10/2011	Finkelstein et al.	
D728,834 S *	5/2015	Taylor .....	D26/2	2011/0298371 A1	12/2011	Brandes et al.	
D734,879 S *	7/2015	Chen .....	D26/2	2012/0056542 A1	3/2012	Hu	
D734,884 S *	7/2015	Rupp .....	D26/2	2012/0075854 A1	3/2012	Maxik et al.	
D743,061 S *	11/2015	Liu .....	D26/2	2012/0155077 A1	6/2012	Kim et al.	
D743,585 S *	11/2015	Ding .....	D26/2	2012/0188745 A1	7/2012	Yoneda	
2002/0189377 A1	12/2002	Beraud		2012/0188780 A1	7/2012	Wilk	
2003/0012025 A1	1/2003	Christen		2013/0308310 A1	11/2013	Wilk	
2003/0039122 A1	2/2003	Cao		2014/0098528 A1 *	4/2014	Taylor .....	F21V 29/02 362/227
2005/0169006 A1	8/2005	Wang et al.		2014/0098568 A1 *	4/2014	Taylor .....	F21V 3/0436 362/650

\* cited by examiner

FIG. 1

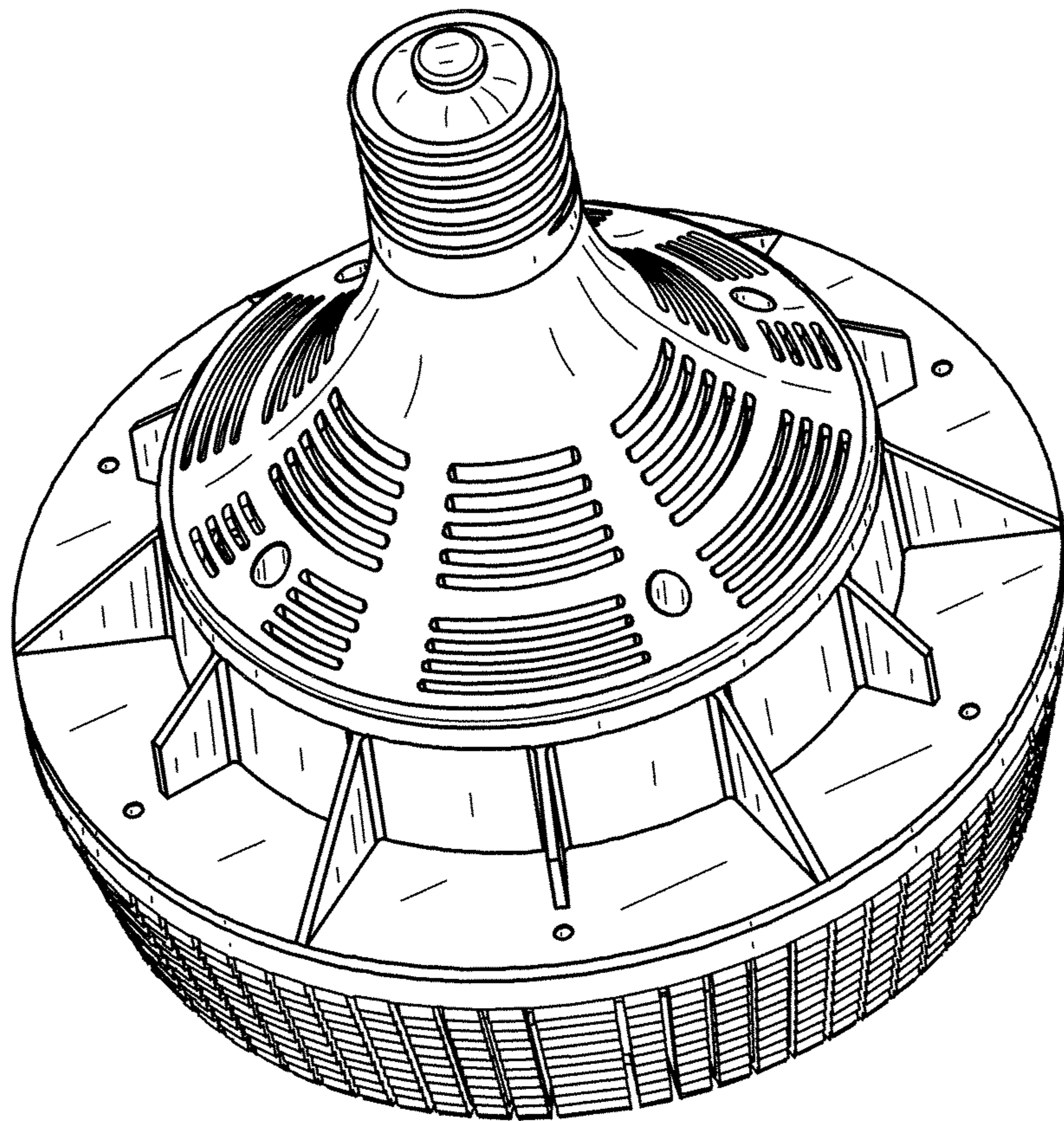


FIG. 2

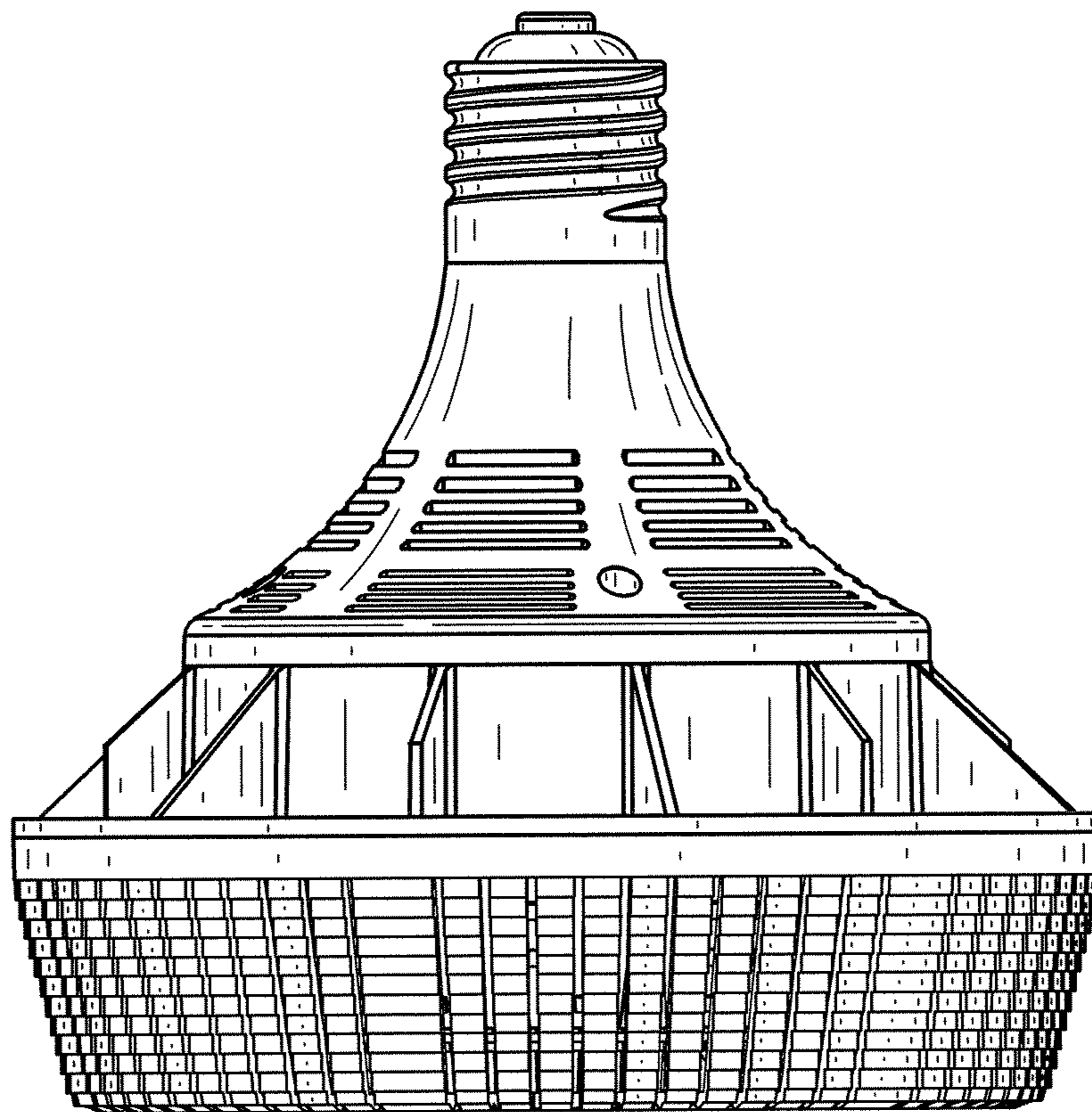


FIG. 3

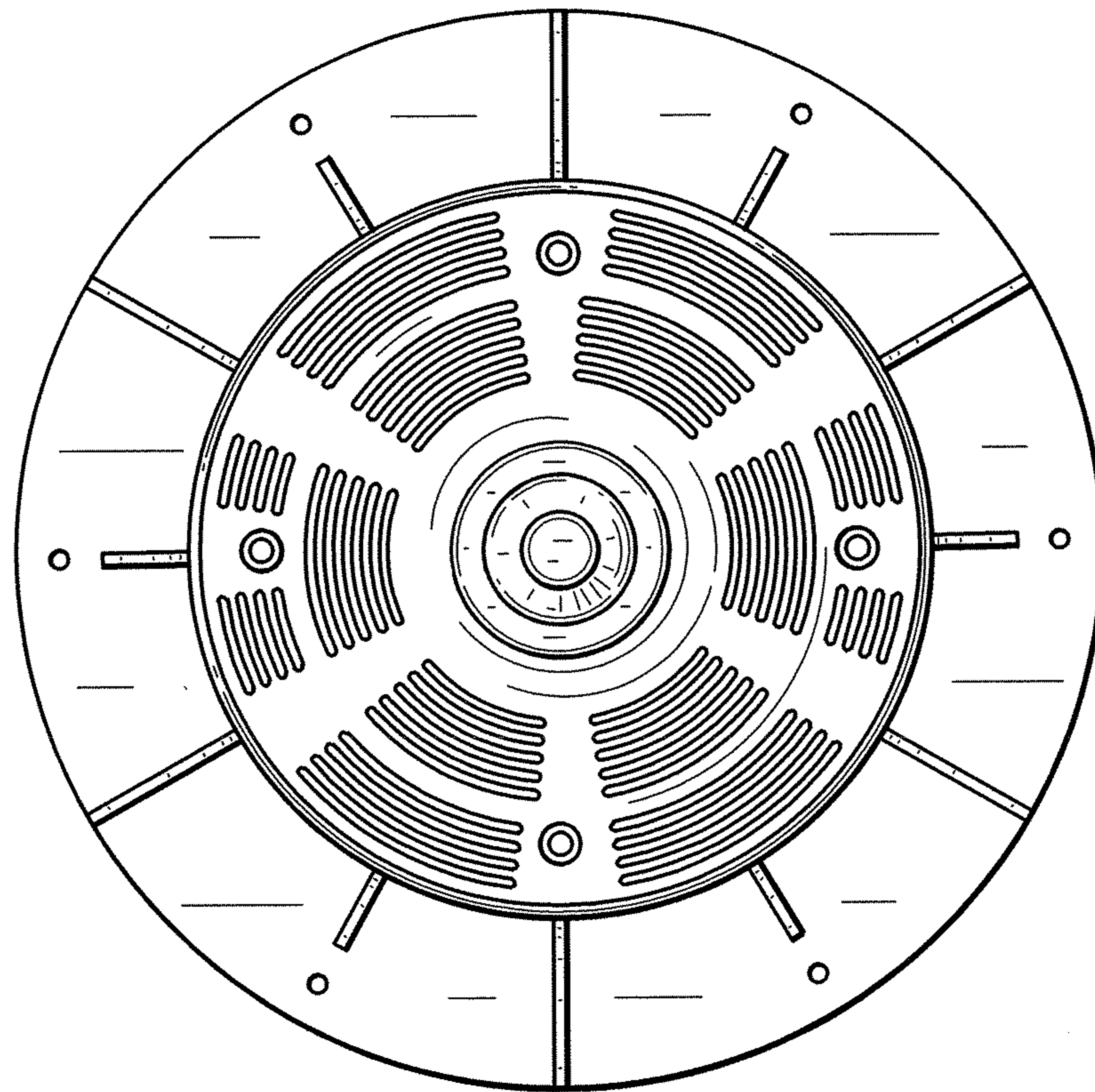


FIG. 4

