



US00D755413S

(12) **United States Design Patent**
Li

(10) **Patent No.:** **US D755,413 S**

(45) **Date of Patent:** **** May 3, 2016**

(54) **LED LAMP**

(56) **References Cited**

(71) Applicant: **SENGLED OPTOELECTRONICS CO., LTD.**, Tongxiang (CN)

(72) Inventor: **Qiulei Li**, Tongxiang (CN)

(73) Assignee: **SENGLED OPTOELECTRONICS CO., LTD.**, Tongxiang (CN)

(**) Term: **14 Years**

(21) Appl. No.: **29/510,901**

(22) Filed: **Dec. 4, 2014**

(51) **LOC (10) Cl.** **26-04**

(52) **U.S. Cl.**
USPC **D26/2**

(58) **Field of Classification Search**
USPC D26/1-4; 313/313, 315, 316, 317, 318,
313/493; 315/52, 53, 56, 57, 58
CPC H01J 5/48; H01J 5/50; H01J 19/54;
F21V 5/00

See application file for complete search history.

U.S. PATENT DOCUMENTS

D545,457 S *	6/2007	Chen	D26/2
D566,300 S *	4/2008	Lo	D26/2
D571,489 S *	6/2008	Opolka	D26/2
D582,578 S *	12/2008	Tsai	D26/2
D584,428 S *	1/2009	Li	D26/2
D593,222 S *	5/2009	To	D26/2
D602,182 S *	10/2009	Foo	D26/2

* cited by examiner

Primary Examiner — Marcus Jackson

(74) *Attorney, Agent, or Firm* — Anova Law Group, PLLC

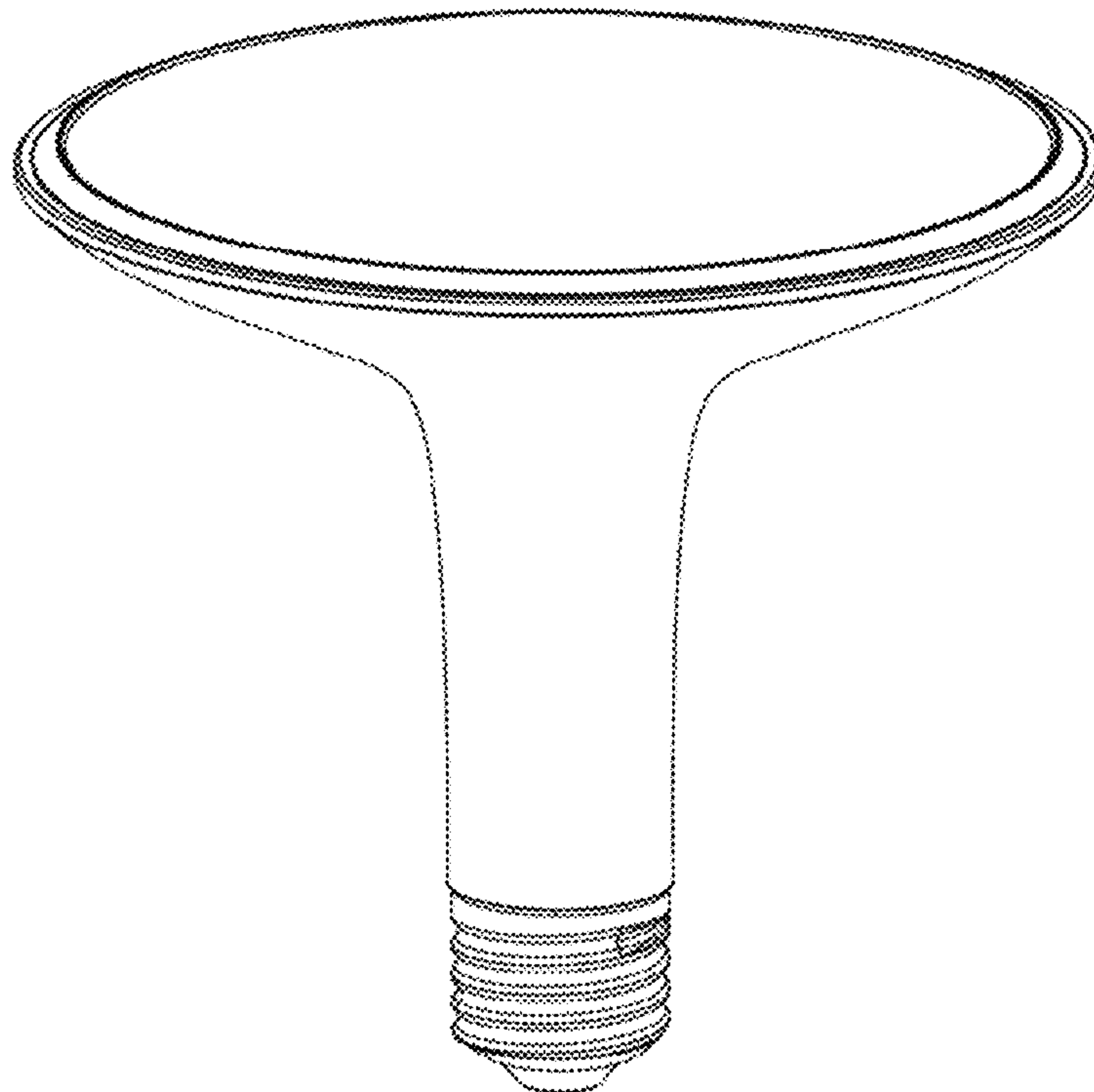
(57) **CLAIM**

The ornamental design for an LED lamp, as shown and described.

DESCRIPTION

FIG. 1 is a perspective view of an LED lamp in accordance with the present invention;
FIG. 2 is a front view of the LED lamp shown in FIG. 1;
FIG. 3 is a back view of the LED lamp shown in FIG. 1;
FIG. 4 is a top view of the LED lamp shown in FIG. 1;
FIG. 5 is a bottom view of the LED lamp shown in FIG. 1;
FIG. 6 is a left side view of the LED lamp shown in FIG. 1;
and,
FIG. 7 is a right side view of the LED lamp shown in FIG. 1.

1 Claim, 6 Drawing Sheets



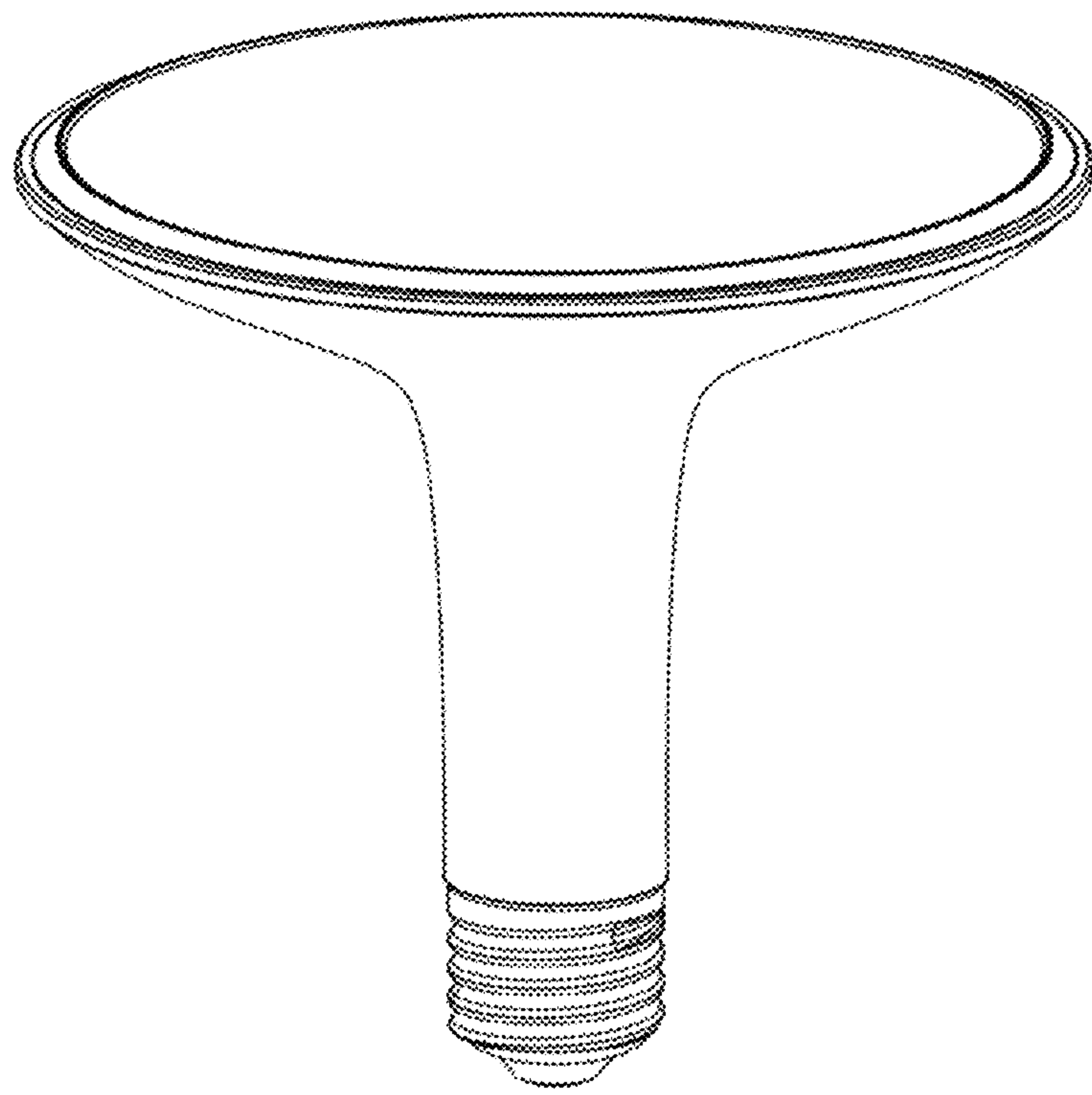


FIG. 1

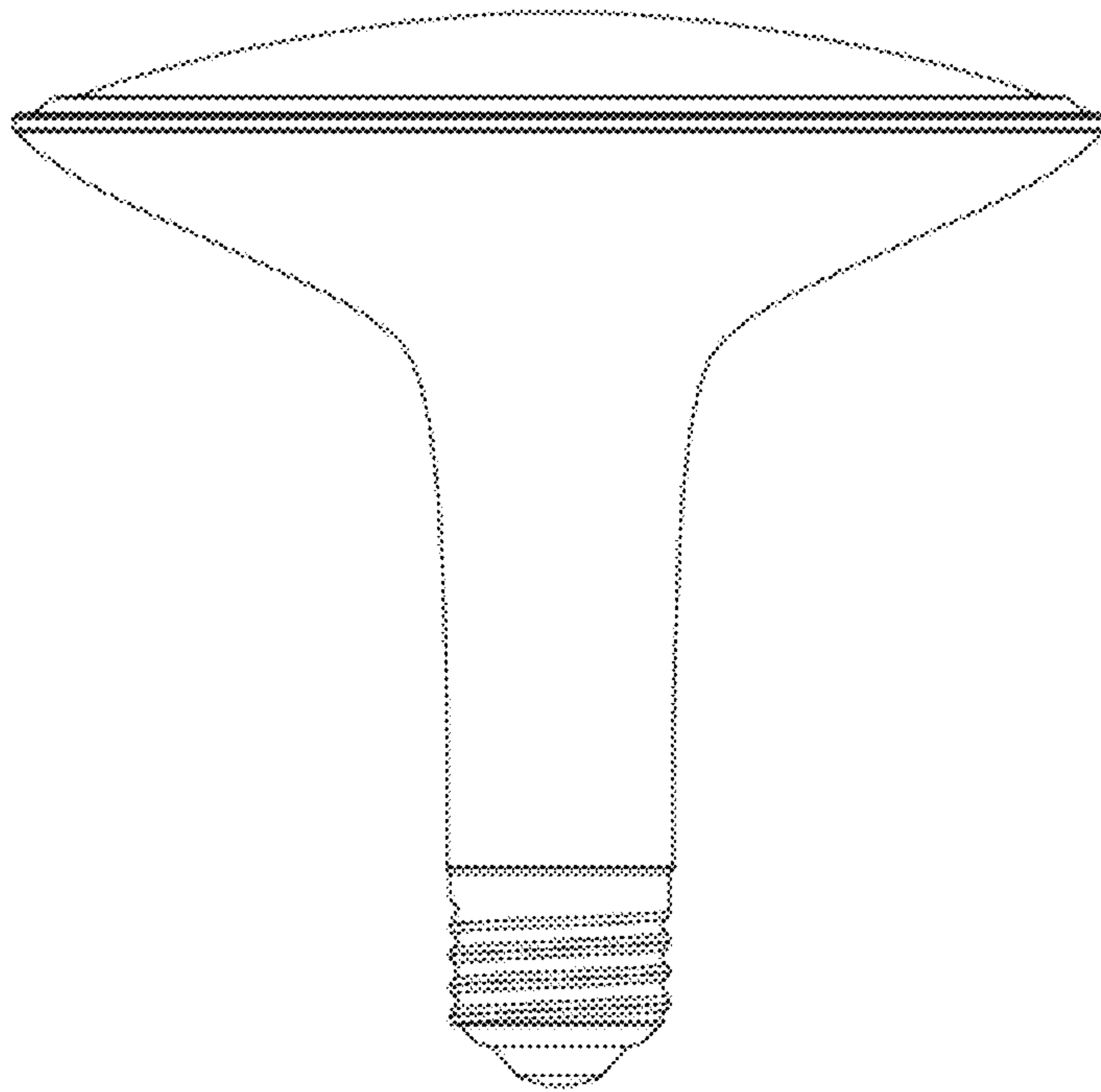


FIG. 2

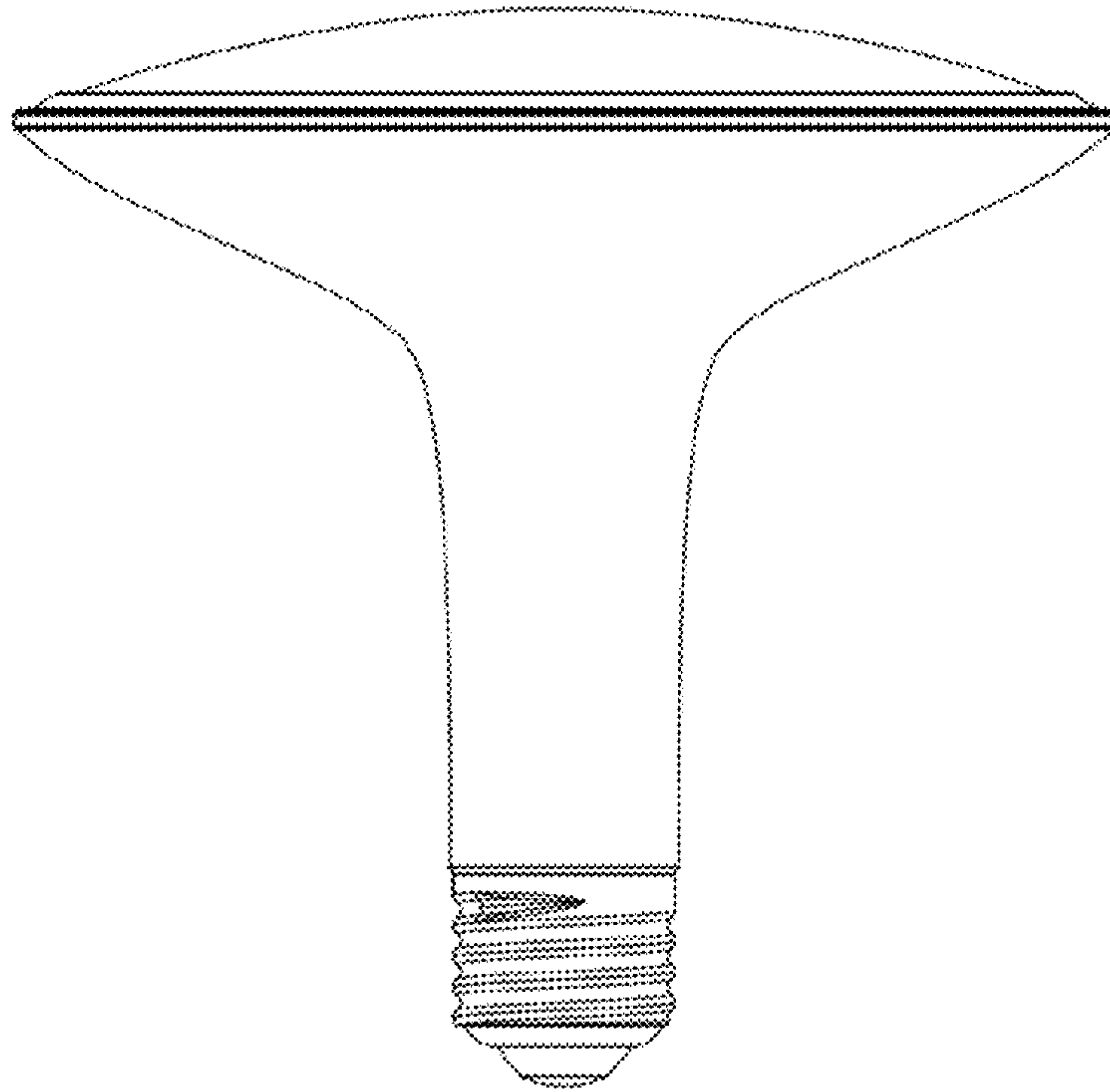


FIG. 3

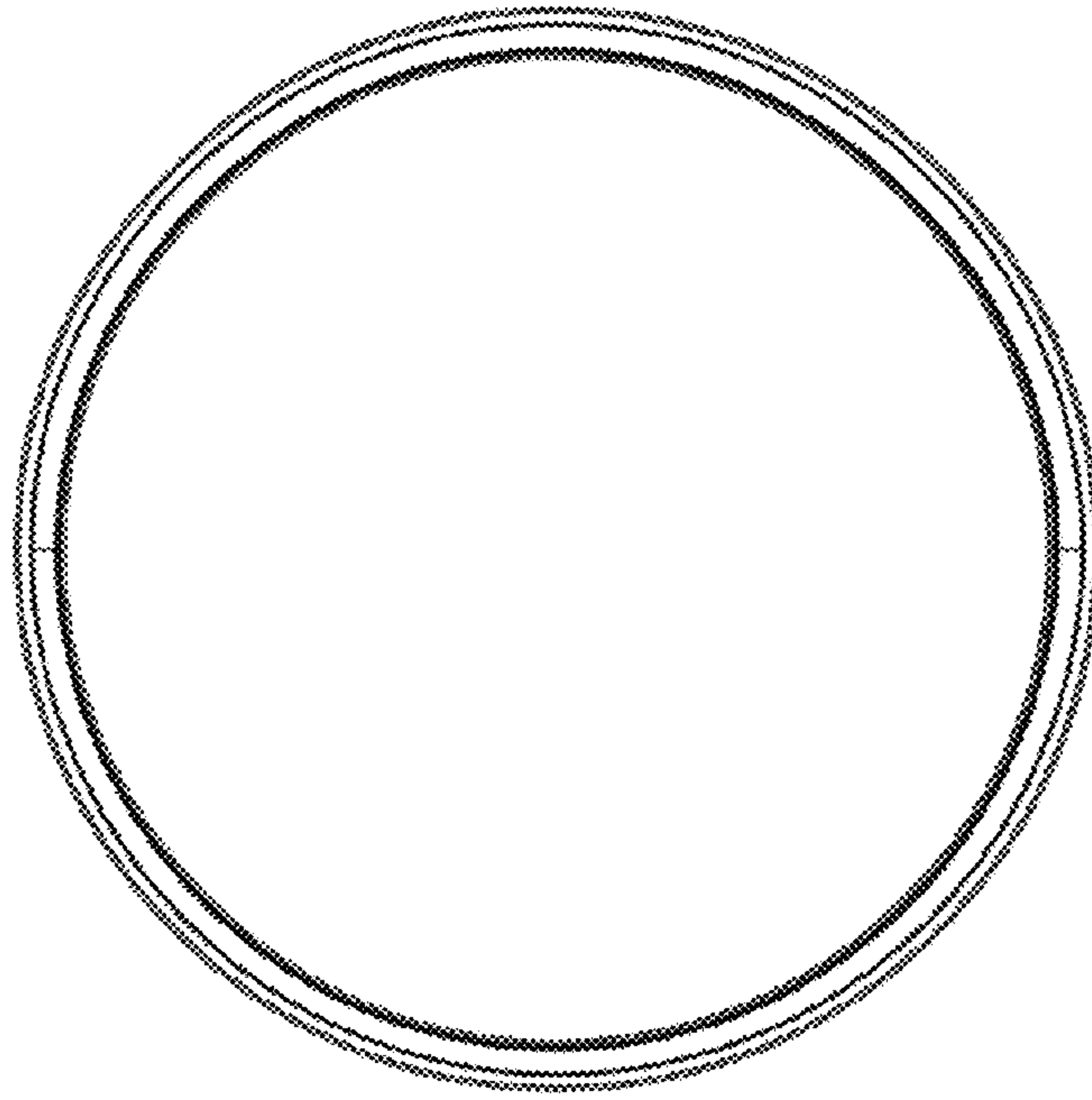


FIG. 4

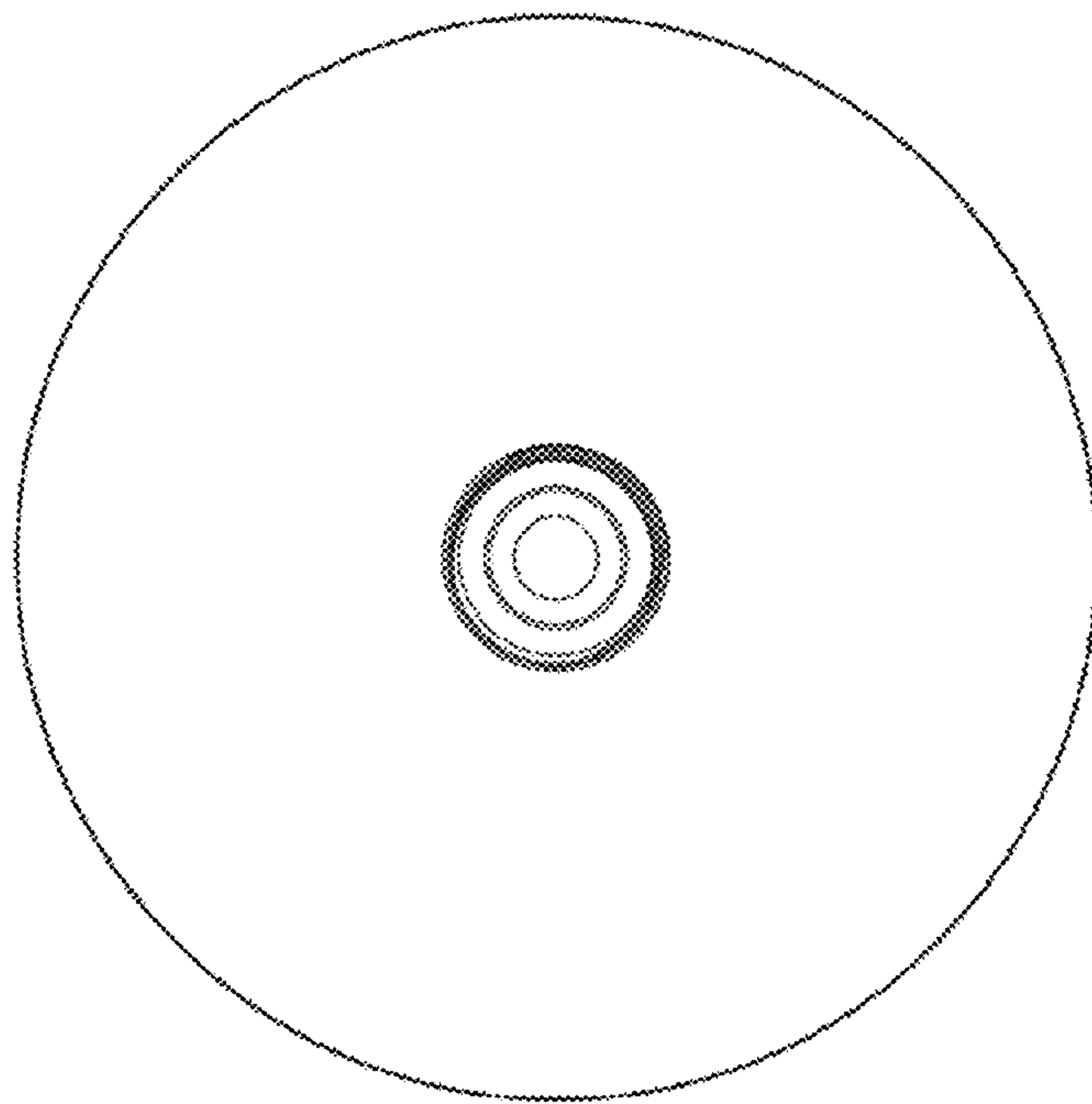


FIG. 5

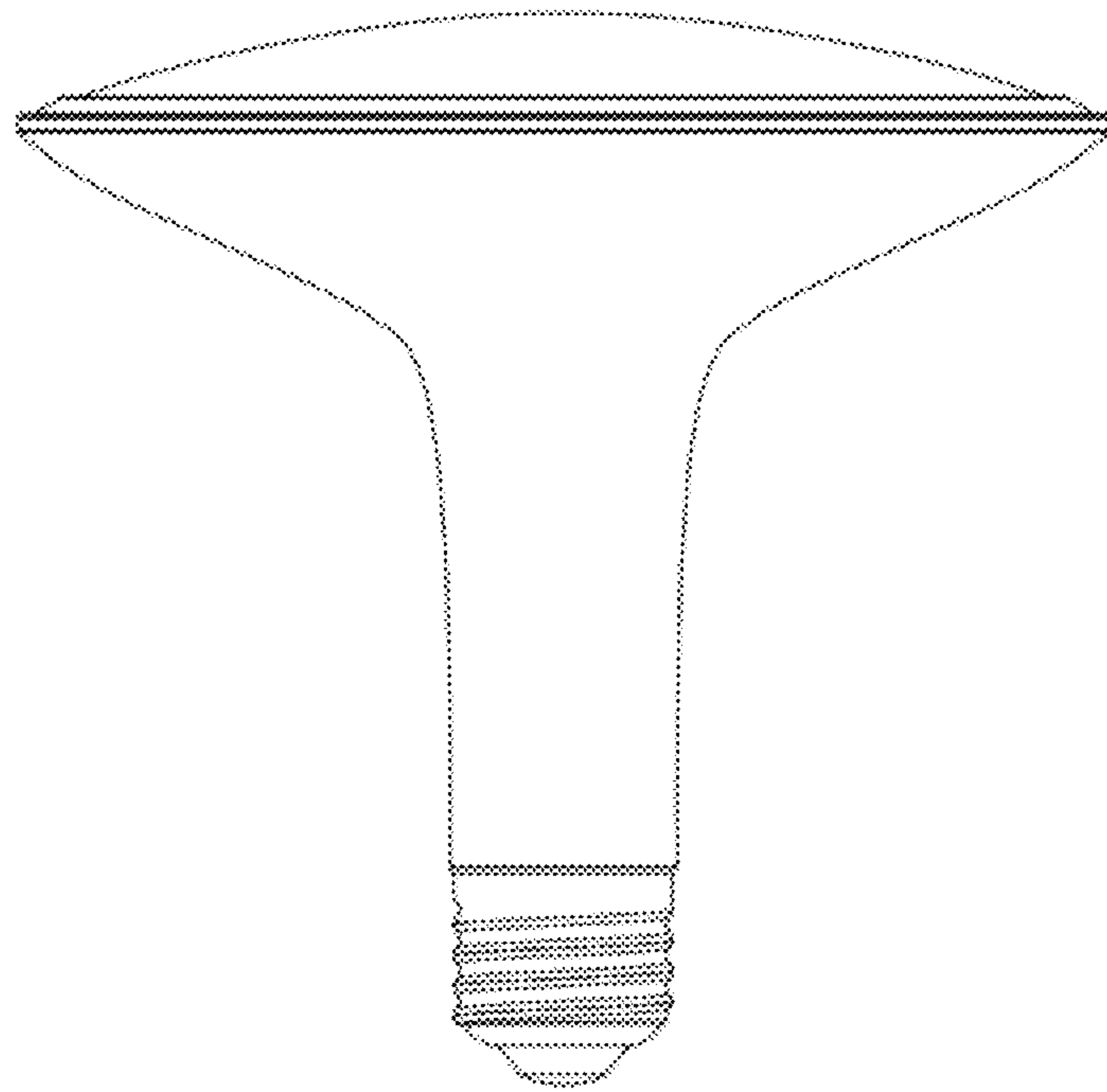


FIG. 6

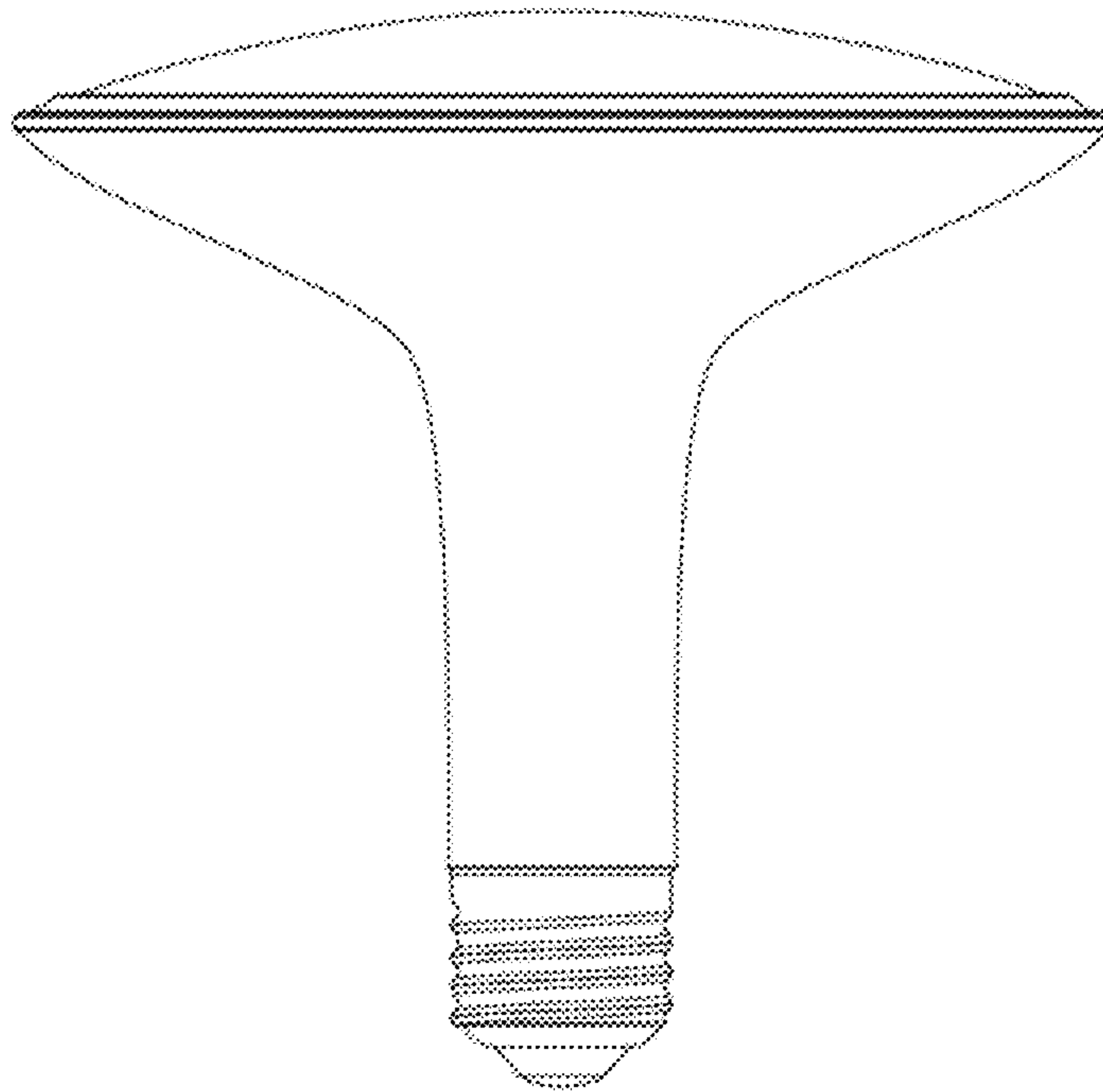


FIG. 7