



US00D755412S

(12) **United States Design Patent**  
**Managuli et al.**

(10) **Patent No.:** **US D755,412 S**  
(45) **Date of Patent:** **\*\* May 3, 2016**

(54) **LED LIGHTING FIXTURE**  
(71) Applicant: **Appleton Grp LLC**, Rosemont, IL (US)  
(72) Inventors: **Sudhir Vasant Managuli**, Pune (IN);  
**James G. Johnson**, Hoffman Estates, IL (US); **William Leber**, Vernon Hills, IL (US); **Vinaya Nandish Kubsad**, Maharashtra (IN); **Sachin Dhanapal Shirahatti**, Dist. Belgaum (IN); **Sumit Kumar**, Moradabad(U.P.) (IN)

2007/0279900 A1\* 12/2007 Bauer ..... F21S 8/00  
362/158  
2009/0080189 A1\* 3/2009 Wegner ..... F21S 8/02  
362/235

**OTHER PUBLICATIONS**

Pre-2015 Crouse Hinds LED Lighting Fixture, Image 1, 1 page.  
Pre-2015 Crouse Hinds LED Lighting Fixture, Image 2, 1 page.  
Pre-2015 Dialight LED Lighting Fixture, Image 1, 1 page.  
Pre-2015 Dialight LED Lighting Fixture, Image 2, 1 page.

(Continued)

*Primary Examiner* — Ian Simmons

*Assistant Examiner* — Harold Blackwell, II

(74) *Attorney, Agent, or Firm* — McDonnell Boehnen Hulbert & Berghoff LLP

(73) Assignee: **Appleton Grp LLC**, Rosemont, IL (US)  
(\*\*) Term: **14 Years**

(57) **CLAIM**

The ornamental design for a LED lighting fixture, as shown and described.

(21) Appl. No.: **29/513,756**  
(22) Filed: **Jan. 5, 2015**  
(51) **LOC (10) Cl.** ..... **26-04**  
(52) **U.S. Cl.**  
USPC ..... **D26/1**  
(58) **Field of Classification Search**  
USPC ..... D26/24, 1, 2, 3, 74, 76, 113, 120;  
D13/180, 182; 362/612, 555, 257, 800,  
362/249.02, 237, 158, 235; 313/35; 257/82,  
257/83, 98, 99, 433  
CPC ..... F21Y 2105/005; F21W 2101/08;  
F21V 29/773  
See application file for complete search history.

**DESCRIPTION**

FIG. 1 is a perspective top view of an LED lighting fixture having the inventive design;  
FIG. 2 is a perspective bottom view of the LED lighting fixture shown in FIG. 1;  
FIG. 3 is a left side view of the LED lighting fixture shown in FIG. 1;  
FIG. 4 is a right side view of the LED lighting fixture shown in FIG. 1;  
FIG. 5 is a front view of the LED lighting fixture shown in FIG. 1;  
FIG. 6 is a back view of the LED lighting fixture shown in FIG. 1;  
FIG. 7 is a top view of the LED lighting fixture shown in FIG. 1; and,  
FIG. 8 is a bottom view of the LED lighting fixture shown in FIG. 1.

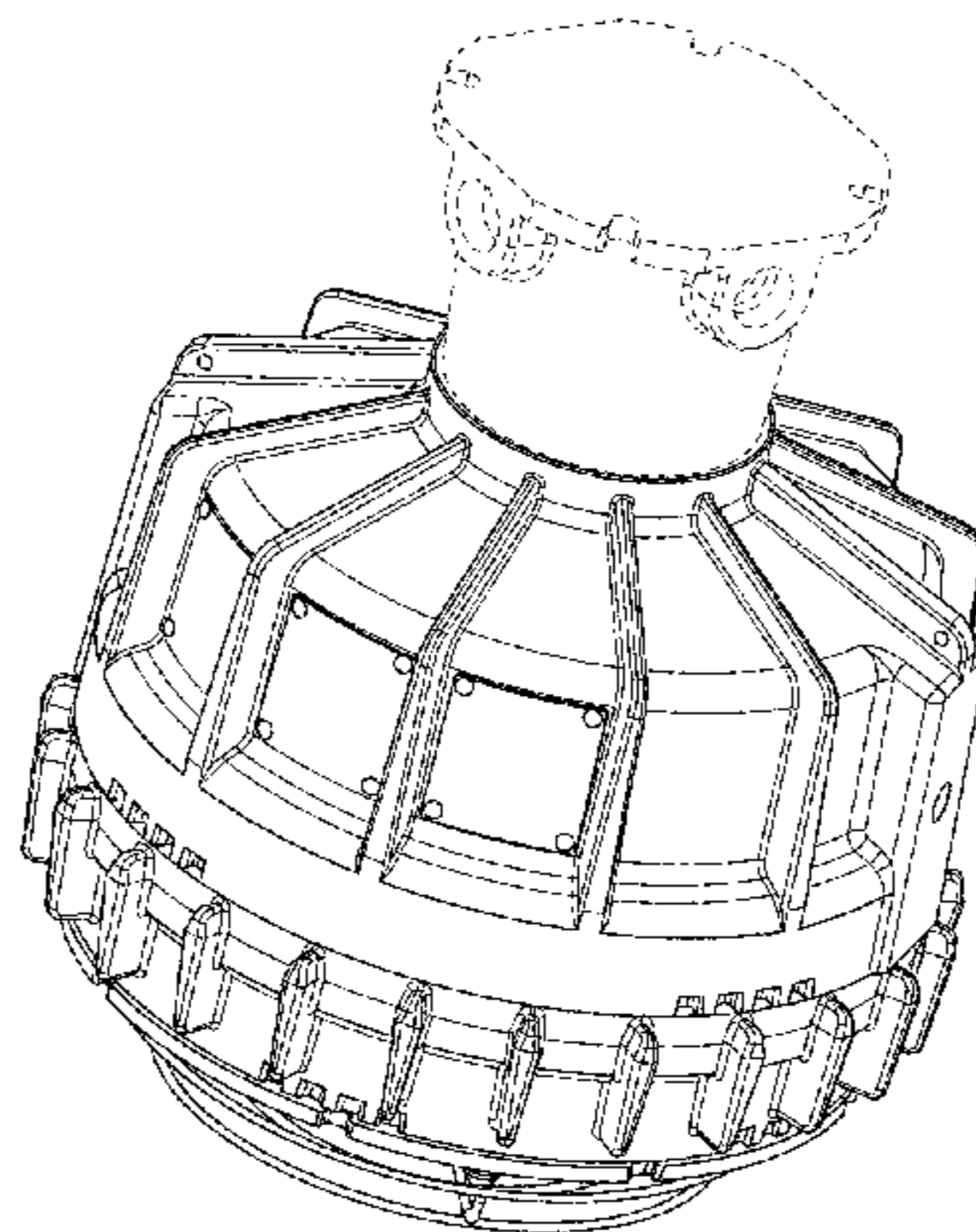
The broken lines in the drawings illustrate portions of the LED lighting fixture which forms no part of the claimed design. Further, the mounting hood shown in broken lines in the Figures is environment only and forms no part of the claimed design.

(56) **References Cited**

**U.S. PATENT DOCUMENTS**

D616,118 S \* 5/2010 Thomas ..... D26/2  
D634,036 S \* 3/2011 Kim ..... D26/2  
D663,442 S \* 7/2012 Tickner ..... D26/1  
D673,698 S \* 1/2013 Taylor ..... D26/2  
D691,744 S \* 10/2013 Tseng ..... D26/1  
D723,193 S \* 2/2015 Taylor ..... D26/2  
D723,194 S \* 2/2015 Taylor ..... D26/2  
8,963,405 B2 \* 2/2015 Petroski ..... F21K 9/52  
313/35

**1 Claim, 4 Drawing Sheets**



(56)

**References Cited**

OTHER PUBLICATIONS

Pre-2015 LumenMaster 250™ Low Bay HID Prismatic Luminaries from Appleton, 1 page.

Pre-2015 LumenMaster 400™ Low Bay HID Prismatic Luminaries from Appleton, 1 page.

Pre-2015 Code Master™ PLT Factory Sealed Luminaries, 1 page.

Pre-2015 Code Master™ PLT Factory Sealed Luminaries, Image 2, 1 page.

Pre-2015 LDB, LDG and LDR Series Wellglass Luminaries, 1 page.

\* cited by examiner

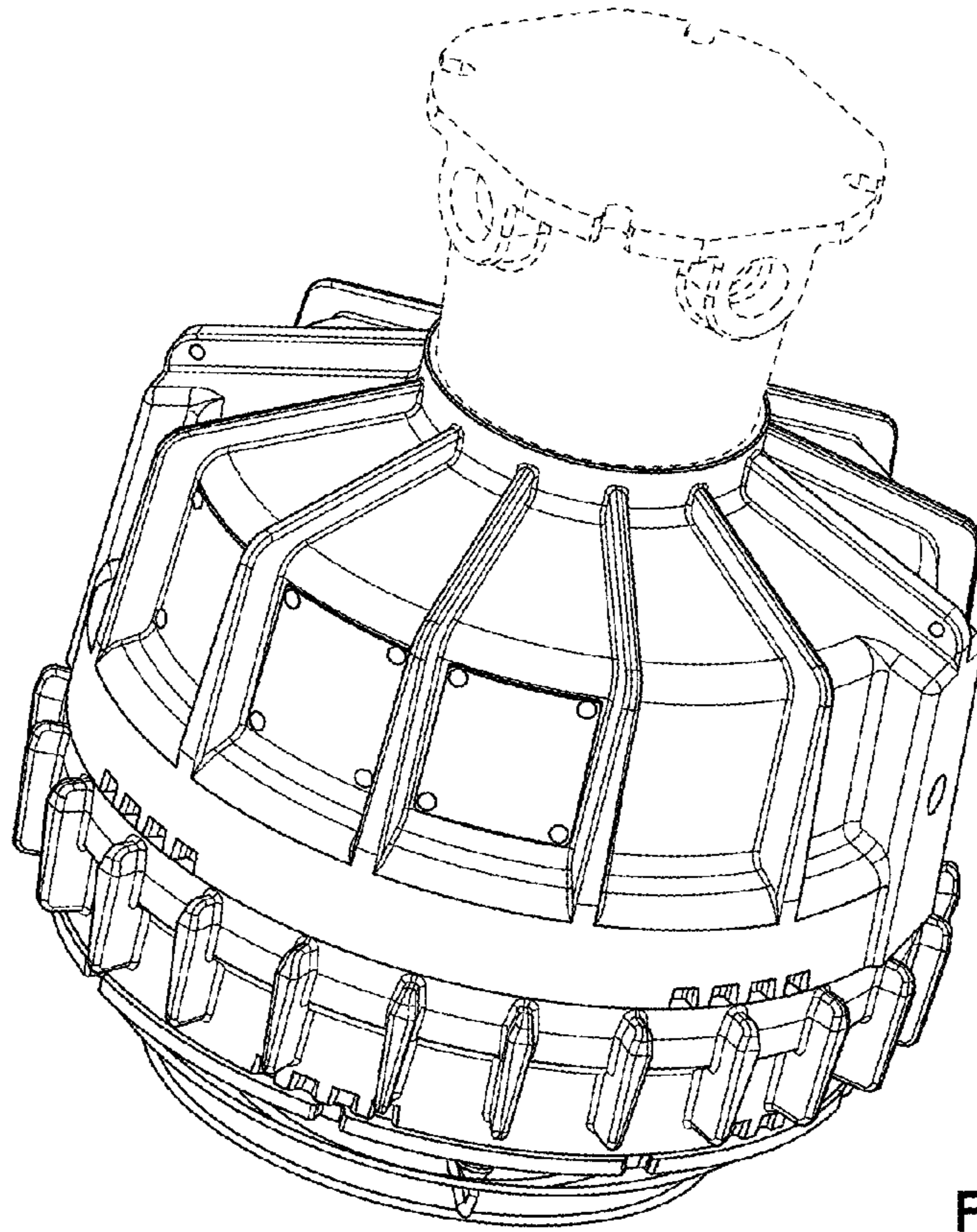


FIG. 1

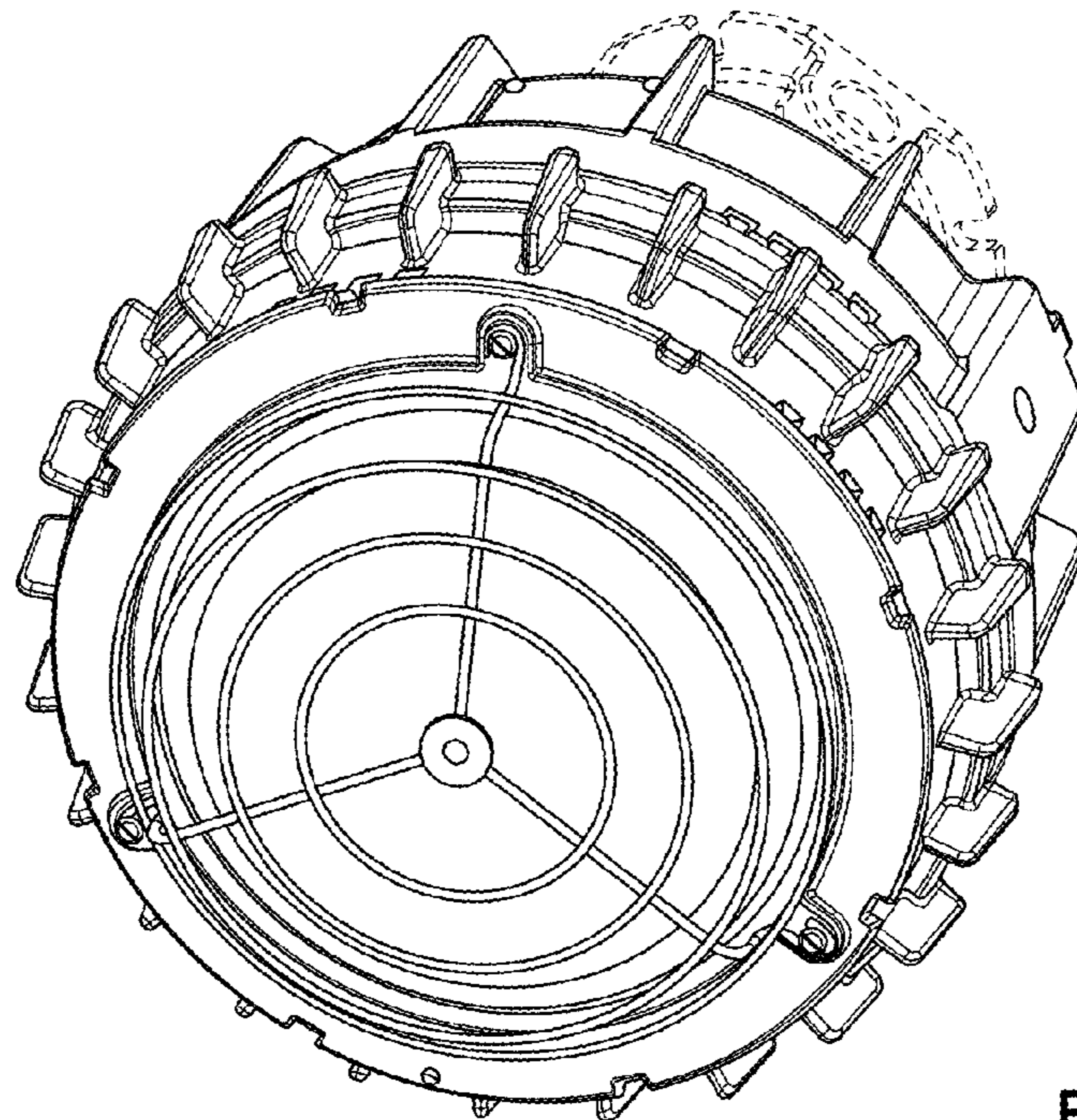


FIG. 2



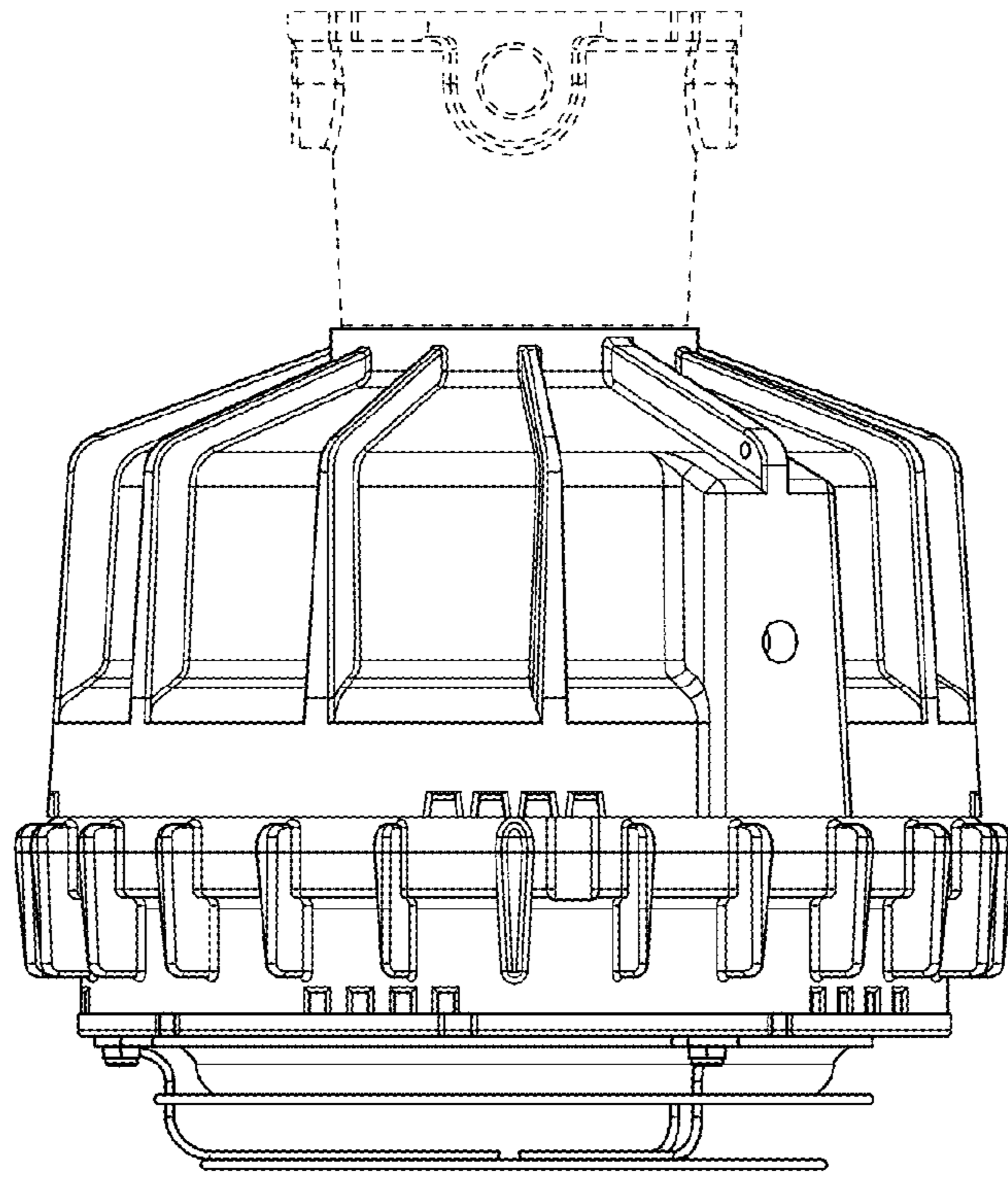


FIG. 3

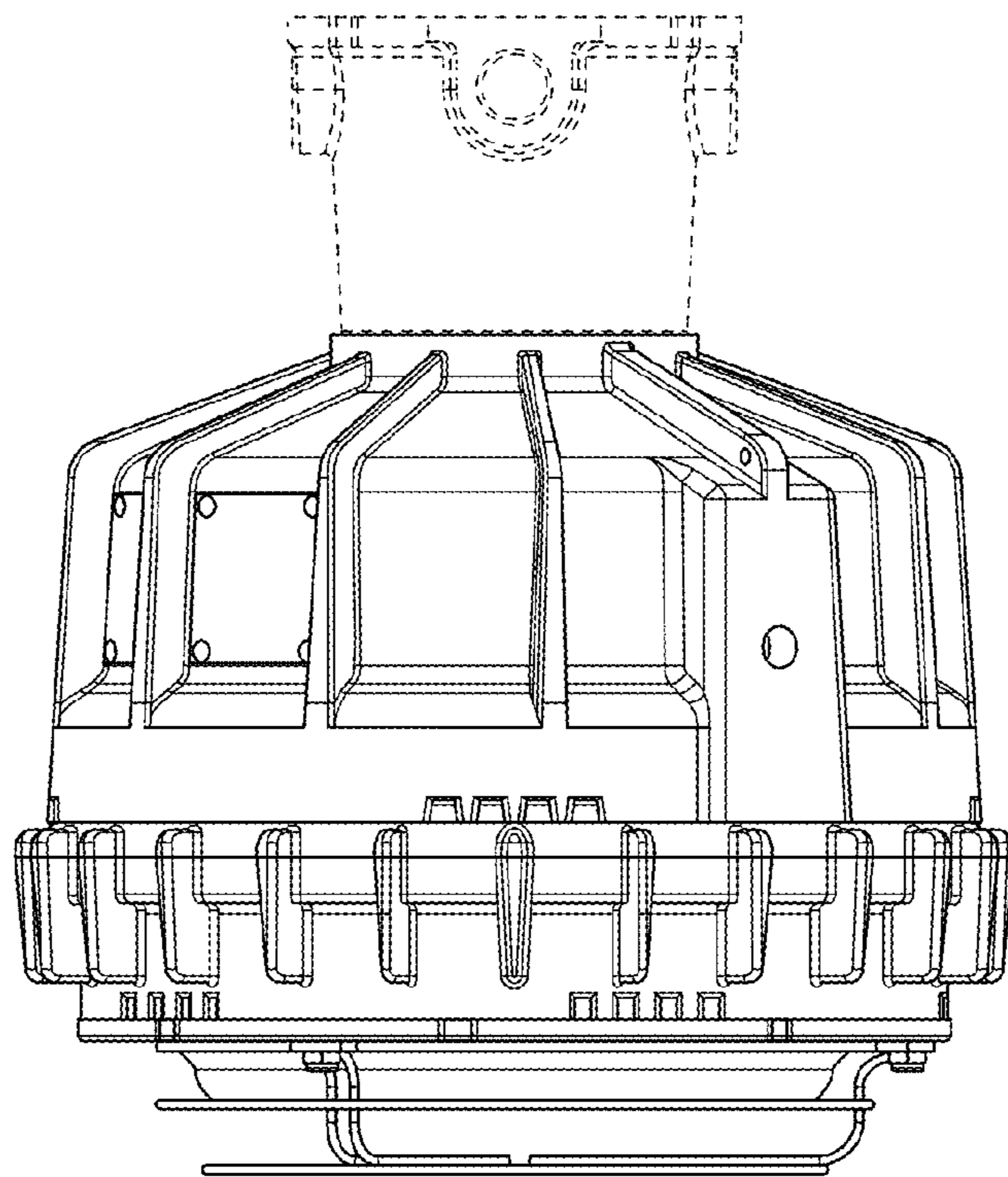


FIG. 4

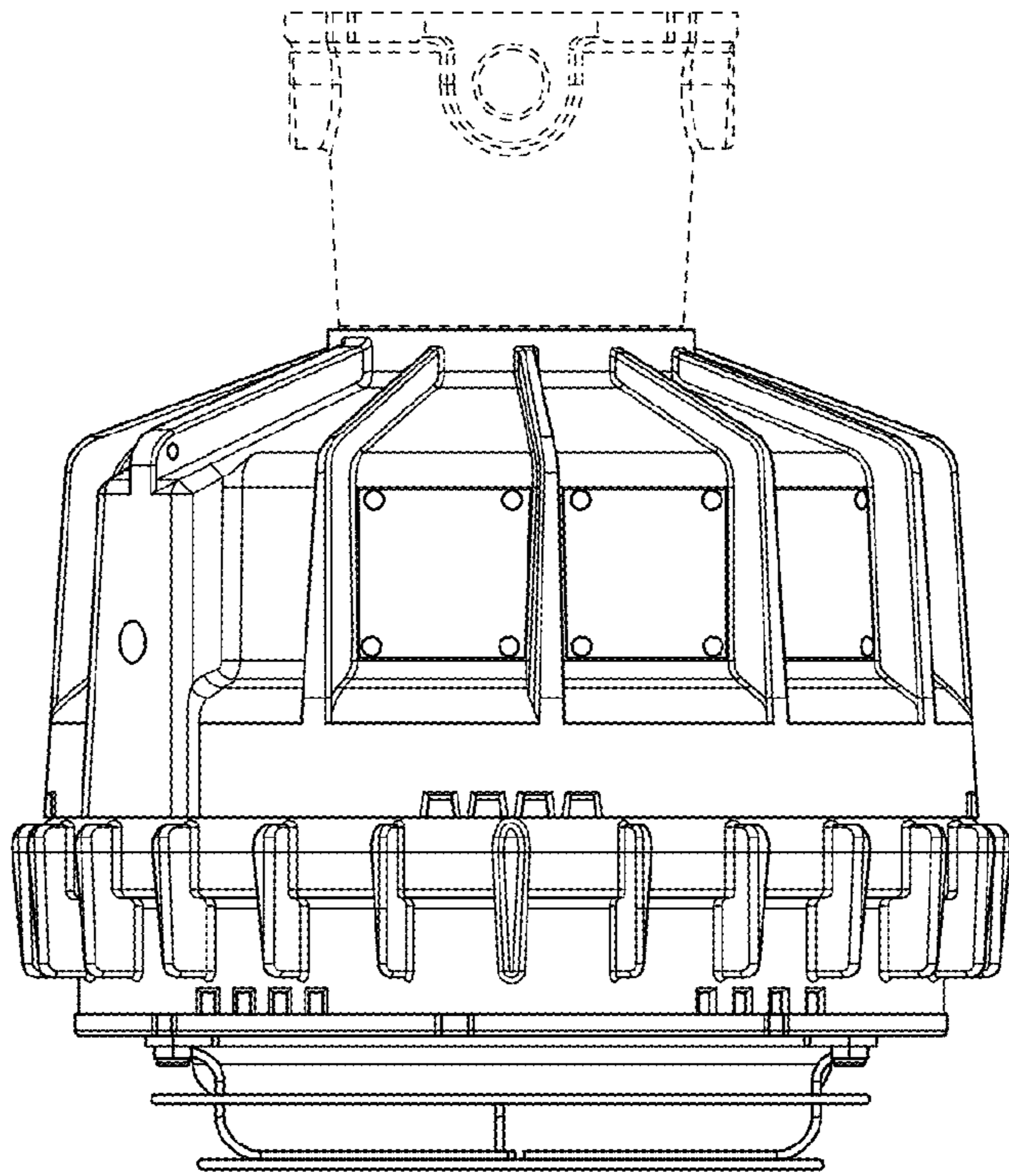


FIG. 5

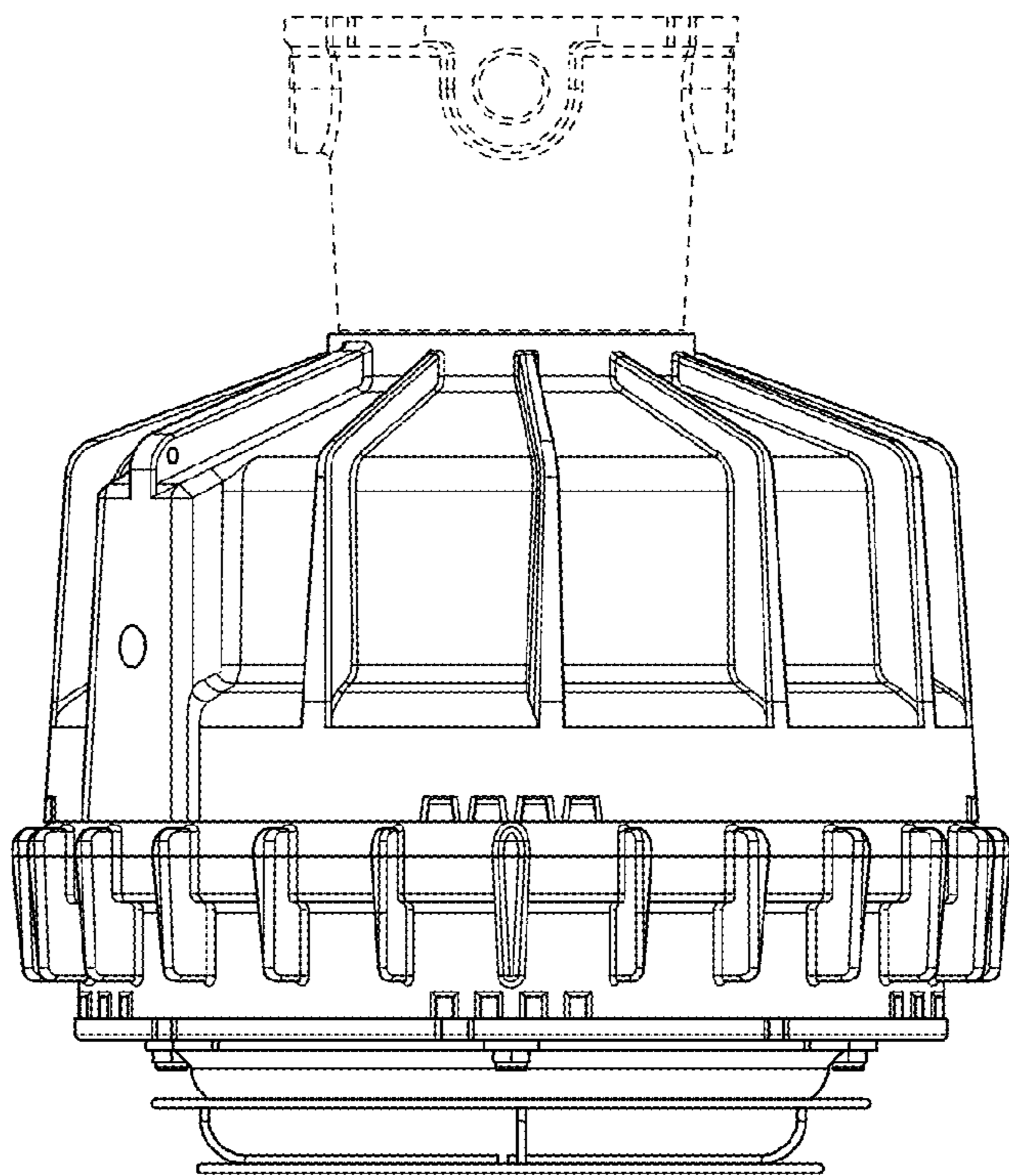


FIG. 6

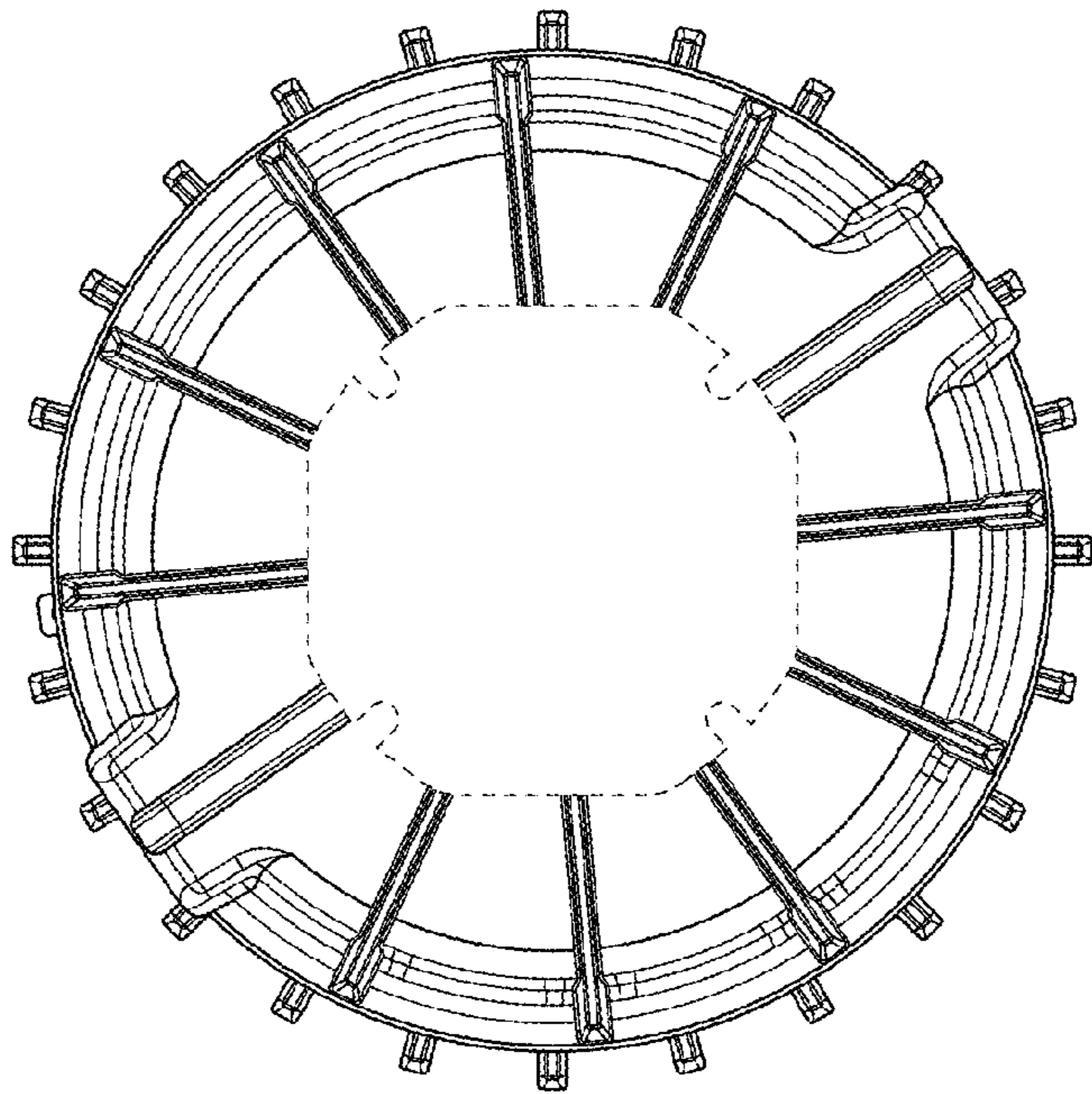


FIG. 7

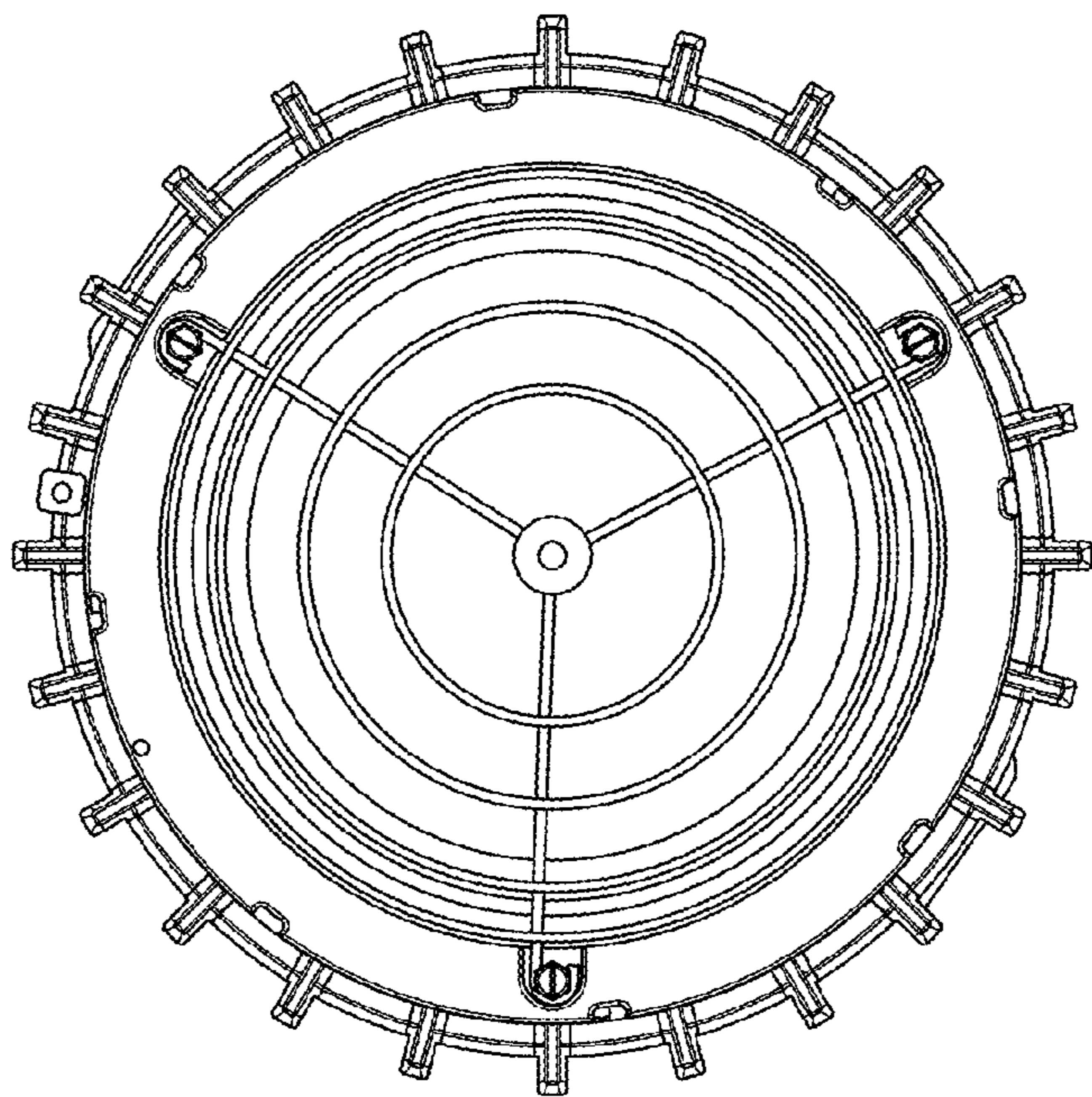


FIG. 8