

US00D755410S

(12) **United States Design Patent**
Geldart

(10) **Patent No.:** **US D755,410 S**

(45) **Date of Patent:** **** May 3, 2016**

- (54) **SHIELD PANEL**
- (71) Applicant: **Lite Guard Safety Solutions Pty Ltd.**,
Dromana (AU)
- (72) Inventor: **Peter Anthony Geldart**, Dromana (AU)
- (73) Assignee: **Lite Guard Safety Solutions Pty.**,
Victoria (AU)
- (**) Term: **14 Years**
- (21) Appl. No.: **29/464,771**
- (22) Filed: **Aug. 21, 2013**
- (30) **Foreign Application Priority Data**

Feb. 21, 2013 (AU) 2013010859

(51) **LOC (10) Cl.** **25-01**

(52) **U.S. Cl.**
USPC **D25/138**

(58) **Field of Classification Search**
 USPC D25/138, 156-199, 36, 35, 58, 119,
 D25/48.8, 102, 133, 1, 61, 66, 68;
 405/282-287, 272-276; 256/1, 24-31,
 256/73
 CPC E02D 17/08; E02D 17/083; E02D 17/00;
 E02D 17/02; E02D 17/04; E02D 17/06;
 E02D 17/086; E02D 17/13; E02D 17/205;
 E02D 17/207; E04C 2/00; E04C 2/001;
 E04C 2/002; E04C 2/004; E04C 2/005;
 E04C 2/08

See application file for complete search history.

(56) **References Cited**

U.S. PATENT DOCUMENTS

- 841,773 A * 1/1907 Fitzgerald E02D 17/08
405/282
- 1,282,904 A * 10/1918 Meem E02D 17/08
405/282
- 2,260,423 A * 10/1941 Washbourne E21D 1/08
220/4.26
- 2,922,283 A * 1/1960 Porter E02D 17/08
405/283
- 3,047,931 A * 8/1962 Boettner E04G 9/02
249/18
- 3,186,177 A * 6/1965 Kannenberg E02D 17/083
405/282

- 3,243,963 A * 4/1966 Schnabel, Jr. E02D 17/04
405/272
- 3,614,870 A * 10/1971 Boynton E02D 29/0266
405/273
- 3,621,660 A * 11/1971 Krings E04G 17/06
405/282
- 3,782,126 A * 1/1974 Pavese E02D 17/08
405/282
- 3,815,369 A * 6/1974 Meredith E02D 17/04
405/285
- 3,869,867 A * 3/1975 Krings E02D 17/04
405/282
- 3,969,904 A * 7/1976 Morrice E02D 17/086
405/157
- 3,971,224 A * 7/1976 Elkuch E02D 17/08
405/285
- 3,992,887 A * 11/1976 Fisher E02D 17/08
405/283
- 3,999,393 A * 12/1976 Krings E02D 17/08
405/282
- 4,004,653 A * 1/1977 Hass E02D 17/08
182/128
- 4,019,329 A * 4/1977 Griswold E02D 17/08
403/104
- 4,019,330 A * 4/1977 Griswold E02D 17/08
405/283
- 4,033,138 A * 7/1977 Griswold E02D 17/08
403/167

(Continued)

OTHER PUBLICATIONS

Norris Sales Website, Protec Aluminum Trench Shield, 2014, 1 page.*

(Continued)

Primary Examiner — Susan Moon Lee

(74) *Attorney, Agent, or Firm* — Woodard, Emhardt, Moriarty, McNett & Henry LLP

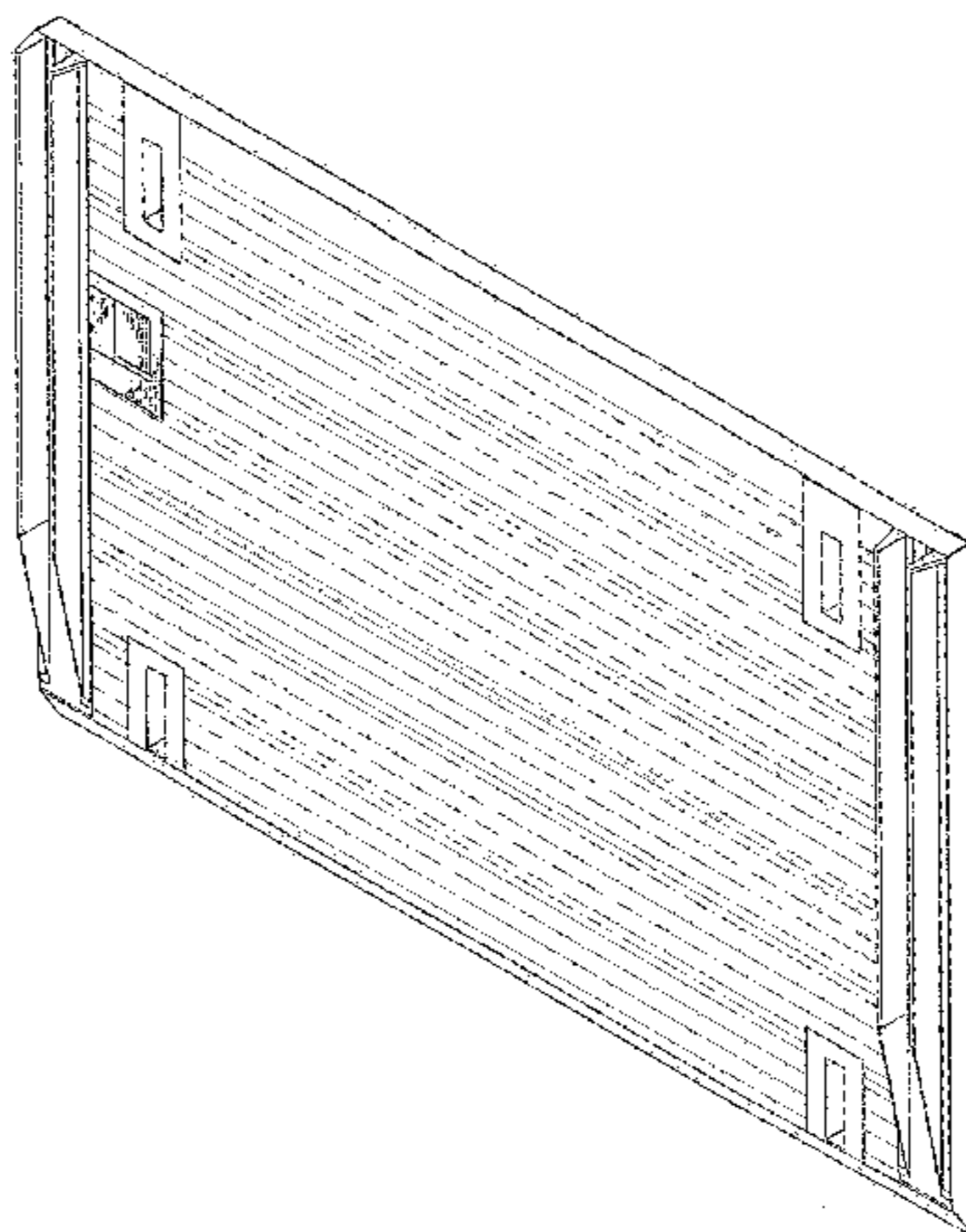
(57) **CLAIM**

The ornamental design for a shield panel, as shown and described.

DESCRIPTION

FIG. 1 is a perspective view of the shield panel showing my new design;
 FIG. 2 is a front view thereof;
 FIG. 3 is a top view thereof;
 FIG. 4 is a side view thereof;
 FIG. 5 is a back view thereof; and,
 FIG. 6 is a bottom view thereof.

1 Claim, 5 Drawing Sheets



(56)

References Cited

U.S. PATENT DOCUMENTS

4,044,564 A * 8/1977 Griswold E02D 17/08
37/460
4,056,938 A * 11/1977 Griswold E02D 17/08
405/283
4,058,983 A * 11/1977 Griswold E02D 17/08
248/62
4,090,365 A * 5/1978 Nieber C08G 77/60
405/282
RE30,185 E * 1/1980 Griswold E02D 17/08
405/272
4,202,649 A * 5/1980 Cook E02D 17/08
405/282
4,259,028 A * 3/1981 Cook E02D 17/08
156/79
4,279,548 A * 7/1981 Ramey E02D 17/086
37/189
4,345,857 A * 8/1982 Krings E02D 17/08
405/272
4,372,709 A * 2/1983 Krings E02D 17/04
405/272
4,421,440 A * 12/1983 Scheepers E02D 17/08
405/282
4,659,260 A * 4/1987 Morelli E02D 17/08
405/272
4,843,780 A * 7/1989 Krings E02D 17/04
52/783.14
4,993,880 A * 2/1991 Collins E02D 17/08
405/272
5,096,334 A * 3/1992 Plank E02D 17/08
405/272
5,123,785 A * 6/1992 Orfei E02D 17/086
405/272
5,158,399 A * 10/1992 Flores E02D 29/0283
405/262
5,180,256 A * 1/1993 Krings E02D 17/08
405/272
5,277,522 A * 1/1994 Pertz E02D 17/08
405/272
5,290,129 A * 3/1994 Rody E02D 17/08
405/272
5,306,103 A * 4/1994 Spencer E02D 17/086
405/282
5,527,137 A * 6/1996 Spencer E02D 17/08
405/282
5,839,707 A * 11/1998 Barringer E02D 17/08
248/214
6,224,296 B1 * 5/2001 Fukumori E02D 17/08
405/272
D463,037 S * 9/2002 Heasley D25/48.8
6,443,665 B1 * 9/2002 Kundel, Sr. E02D 17/08
405/272
6,474,911 B1 * 11/2002 Krings E02D 17/08
405/272
6,889,824 B2 * 5/2005 Leisner B65G 21/20
198/845
7,214,003 B1 * 5/2007 Lux, III E02B 7/16
405/104
7,258,511 B1 * 8/2007 Cerda E02D 17/08
405/272
7,611,308 B1 * 11/2009 Kundel, Sr. E02D 17/08
296/191
7,837,413 B1 * 11/2010 Kundel, Sr. E02D 17/08
248/354.4

D686,751 S * 7/2013 Chrien D25/36
D700,368 S * 2/2014 Shen D25/138
8,926,229 B1 * 1/2015 Clair E02D 17/08
405/282
2004/0005197 A1 * 1/2004 Kadiu E02D 17/08
405/274
2004/0037654 A1 * 2/2004 Peterson E02D 29/0216
405/284
2004/0170478 A1 * 9/2004 Kadiu E02D 17/08
405/282
2004/0208702 A1 * 10/2004 Buchanan E02B 3/06
405/15
2007/0175699 A1 * 8/2007 Steblinski E02D 17/08
182/82
2008/0050213 A1 * 2/2008 Kundel E02D 17/086
414/572
2008/0229702 A1 * 9/2008 Davidson E02D 17/08
52/745.21
2009/0110490 A1 * 4/2009 Hess E02D 17/08
405/282
2010/0264390 A1 * 10/2010 Cerda E02D 17/08
256/24
2012/0076594 A1 * 3/2012 Park E02D 5/02
405/285
2014/0112726 A1 * 4/2014 Pateuk E02D 17/08
405/284
2014/0219728 A1 * 8/2014 Brown E02D 17/20
405/284
2014/0248093 A1 * 9/2014 Breen E02D 17/04
405/284

OTHER PUBLICATIONS

Pro-Tec Equipment company Mod Series Flyer, Trench Shields, 2014, 2 pages.*
Baker Corp. website, Steel Trench Shield, 2015, 1 page.*
—Efficiency Production Inc. website / Brochure online, Trench Box Building Brochure, 2013, 4 pages —Efficiency Production Inc. website / Brochure online, Trench Box Components brochure, 2013, 29 pages.*
GME Shields website, 4" Wall Trench Shield, 2013, 1 page. GME Shields website, 6" Wall Trench Shield, 2013, 1 page. GME Shields website, 3" Wall Trench Shield, 2013, 1 page.*
Kundel Industries website, Safeguard Series Trench Shields, 2005, 1 page. Kundel Industries website, Titan Basic Series Trench Shields, 2005, 1 page Kundel Industries website, Titan Series Plus Shields, 2005, 1 page.*
Norris Sales Website, Protec Pro 6 Steel Double Wall Shield, Mar. 2014, 1 page.*
NTS company, Trench Shields, 2015, 1 page NTS company, Shield Panel, 2015, 1 page.*
Protec catalogue, Trench Shields, 2015, 5 pages.*
Direct Equipment West company, Single and Double Wall Trench Shields, 2015, 1 page.*
Baker Corporation Products website, Soft Mirage Trench Shield, 2015, 1 page.*
Trench Mate Company, Trench Shields, 2015, 1 page.*
Kundel Shields website, Titan Slide Box, Jun. 2008, 1 page Kundel Shields website, Shore Lite Trench Shields in Aluminum, 2007, 2 pages.*
Primax Shoring website, Trench Shield, Apr. 2005, 1 page. Primax Shoring website/ 2011 Catalogue, Primax Trench Shield, 2011, 3 pages.*

* cited by examiner

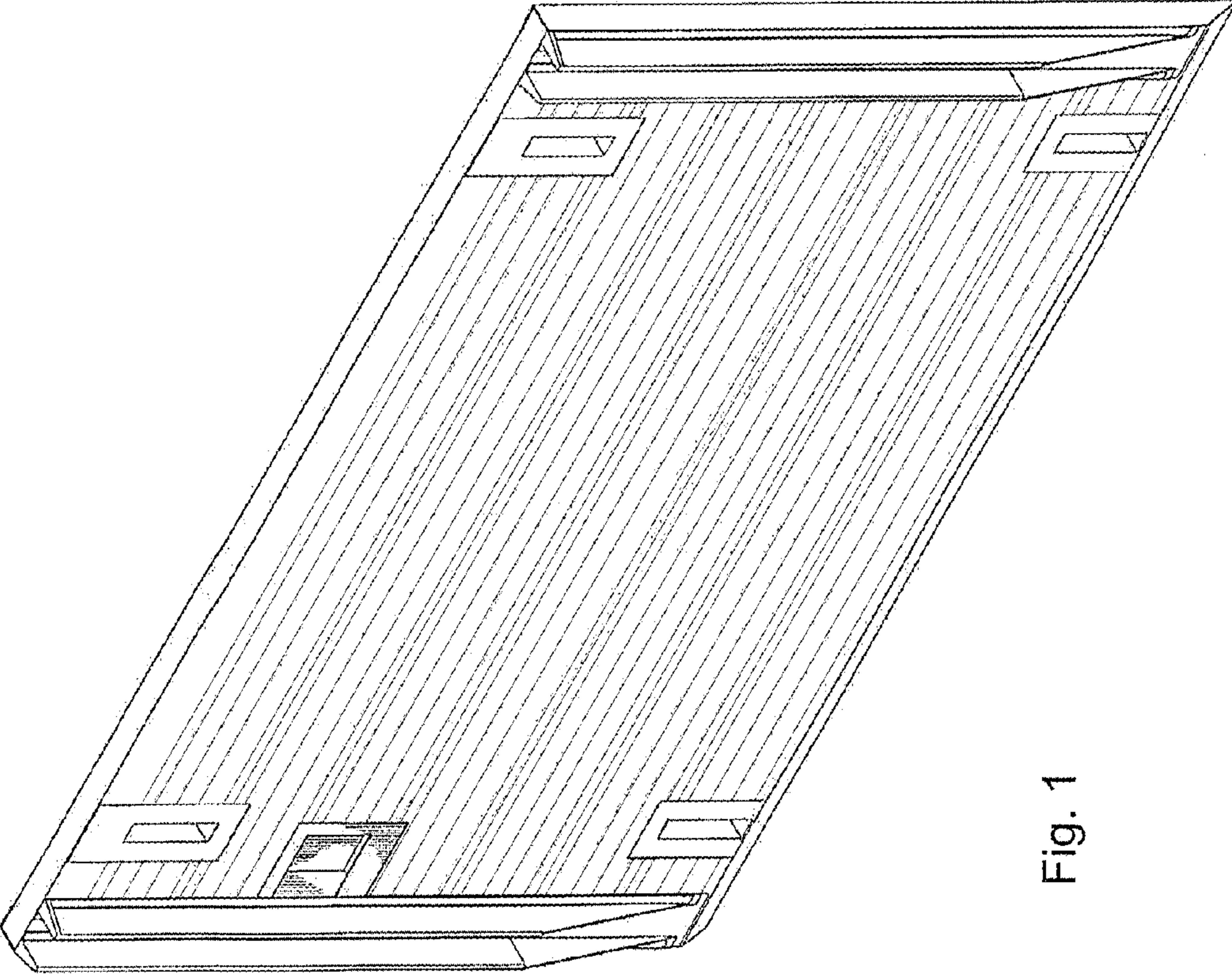


Fig. 1

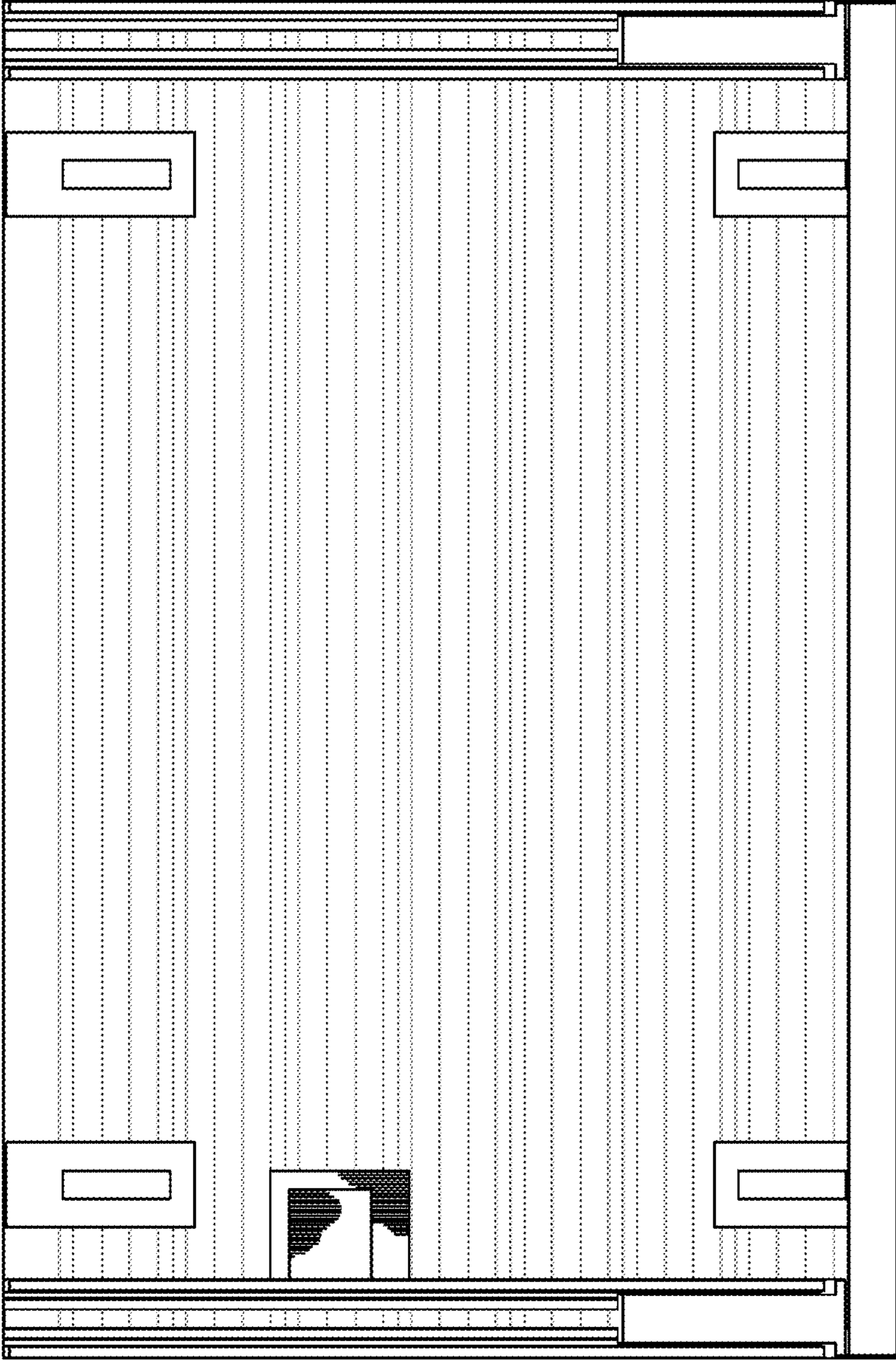


Fig. 2

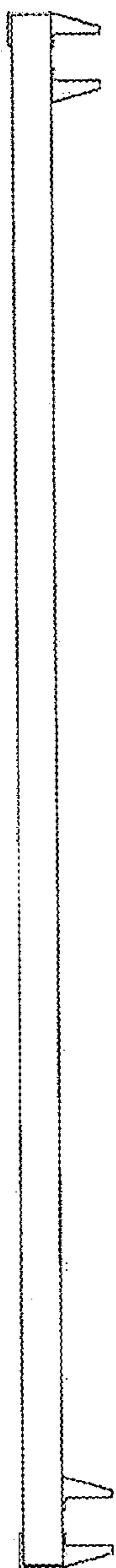


Fig. 3

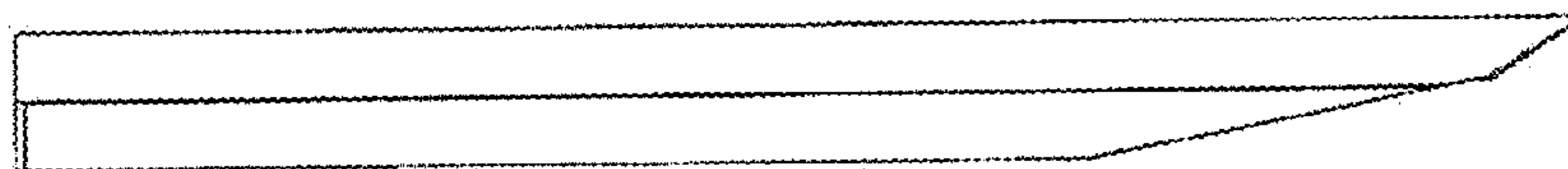


Fig. 4

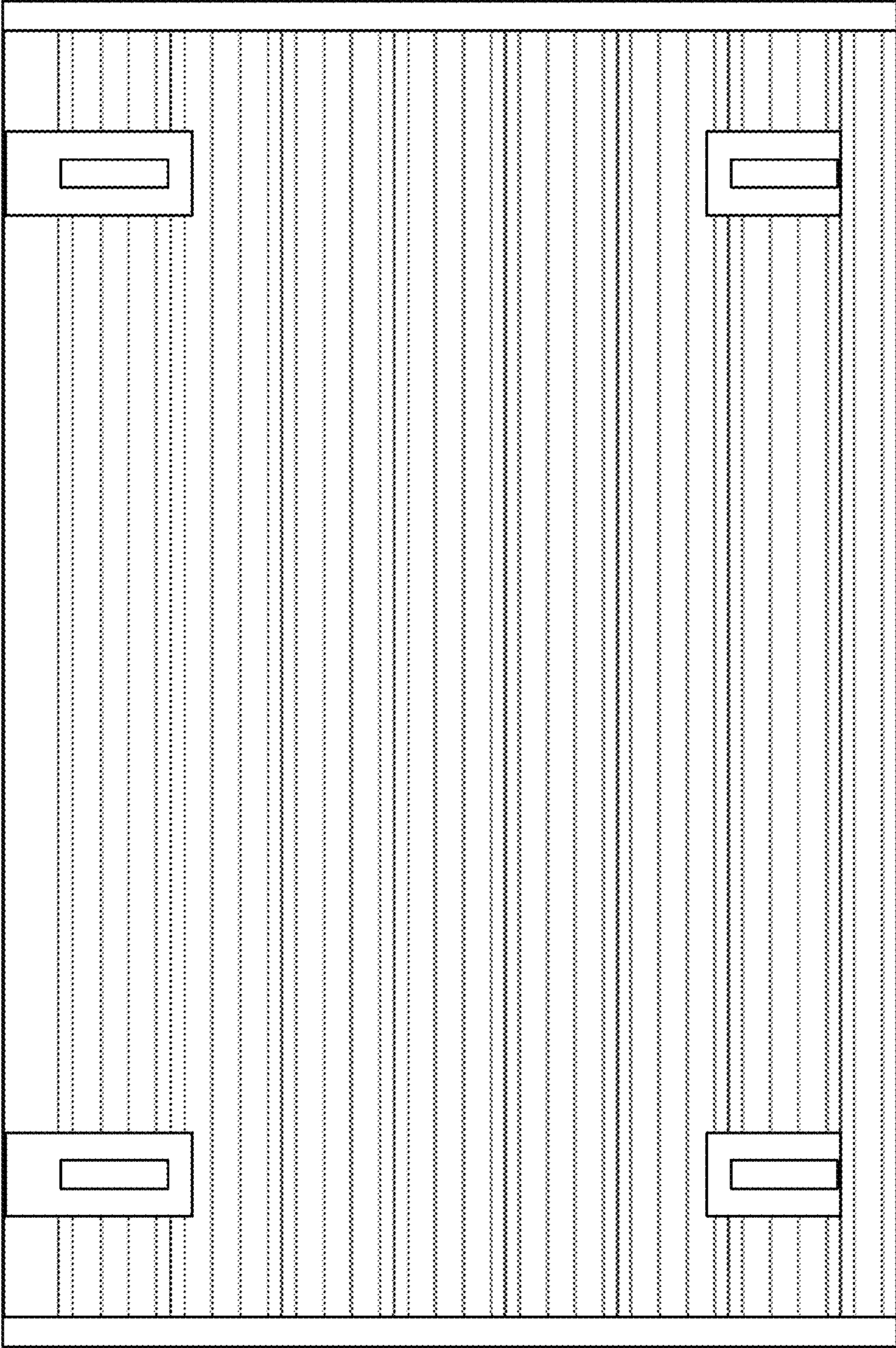


Fig. 5

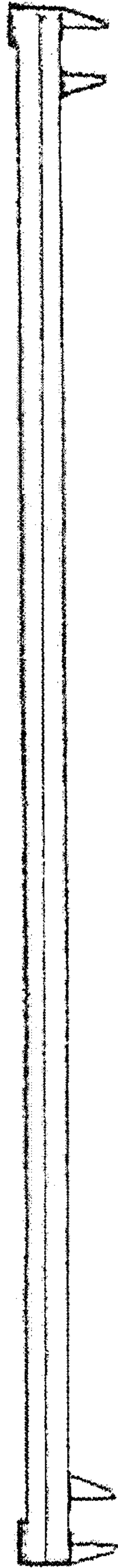


Fig. 6